



US00D525797S

(12) **United States Design Patent**
Lowsky

(10) **Patent No.:** **US D525,797 S**

(45) **Date of Patent:** **** *Aug. 1, 2006**

(54) **CHAIR**

(75) **Inventor:** **Jamie Lowsky**, Aventura, FL (US)

(73) **Assignee:** **Pride Family Brands, Inc.**, Ft. Lauderdale, FL (US)

(*) **Notice:** This patent is subject to a terminal disclaimer.

(**) **Term:** **14 Years**

(21) **Appl. No.:** **29/242,811**

(22) **Filed:** **Nov. 15, 2005**

(51) **LOC (8) Cl.** **06-01**

(52) **U.S. Cl.** **D6/369; D6/370; D6/379**

(58) **Field of Classification Search** D6/334,
D6/335, 336, 369, 370, 374, 375, 376, 379,
D6/380, 500-502; 297/445.1, 446.1, 452.63,
297/452.64

See application file for complete search history.

(56) **References Cited**

U.S. PATENT DOCUMENTS

D81,971 S	*	9/1930	Forst	D6/369
D165,914 S	*	2/1952	Grundy	D6/379
D181,001 S	*	9/1957	Forbes	D6/369
D328,983 S	*	9/1992	Fong	D6/369
D380,311 S	*	7/1997	Diaz-Azcuy	D6/369
D473,060 S	*	4/2003	Hutton	D6/369
D474,347 S	*	5/2003	Hutton	D6/369

D486,658 S	*	2/2004	Weaver	D6/370
D486,663 S	*	2/2004	Weaver	D6/379
D495,512 S	*	9/2004	Diaz-Azcuy	D6/369
D513,899 S	*	1/2006	Erwin	D6/369

* cited by examiner

Primary Examiner—Mimosa De

(74) *Attorney, Agent, or Firm*—Akerman Senterfitt; Peter A. Chiabotti

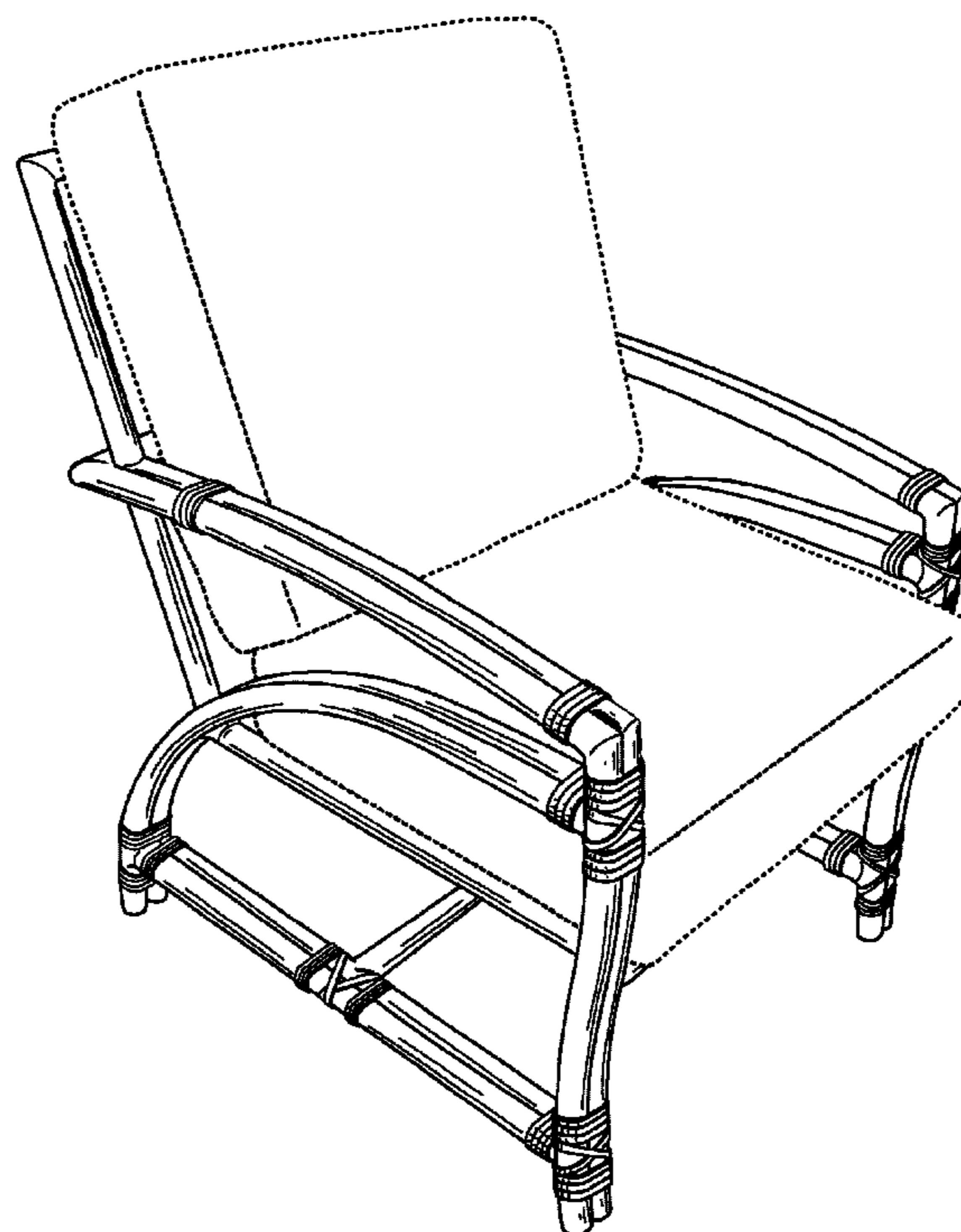
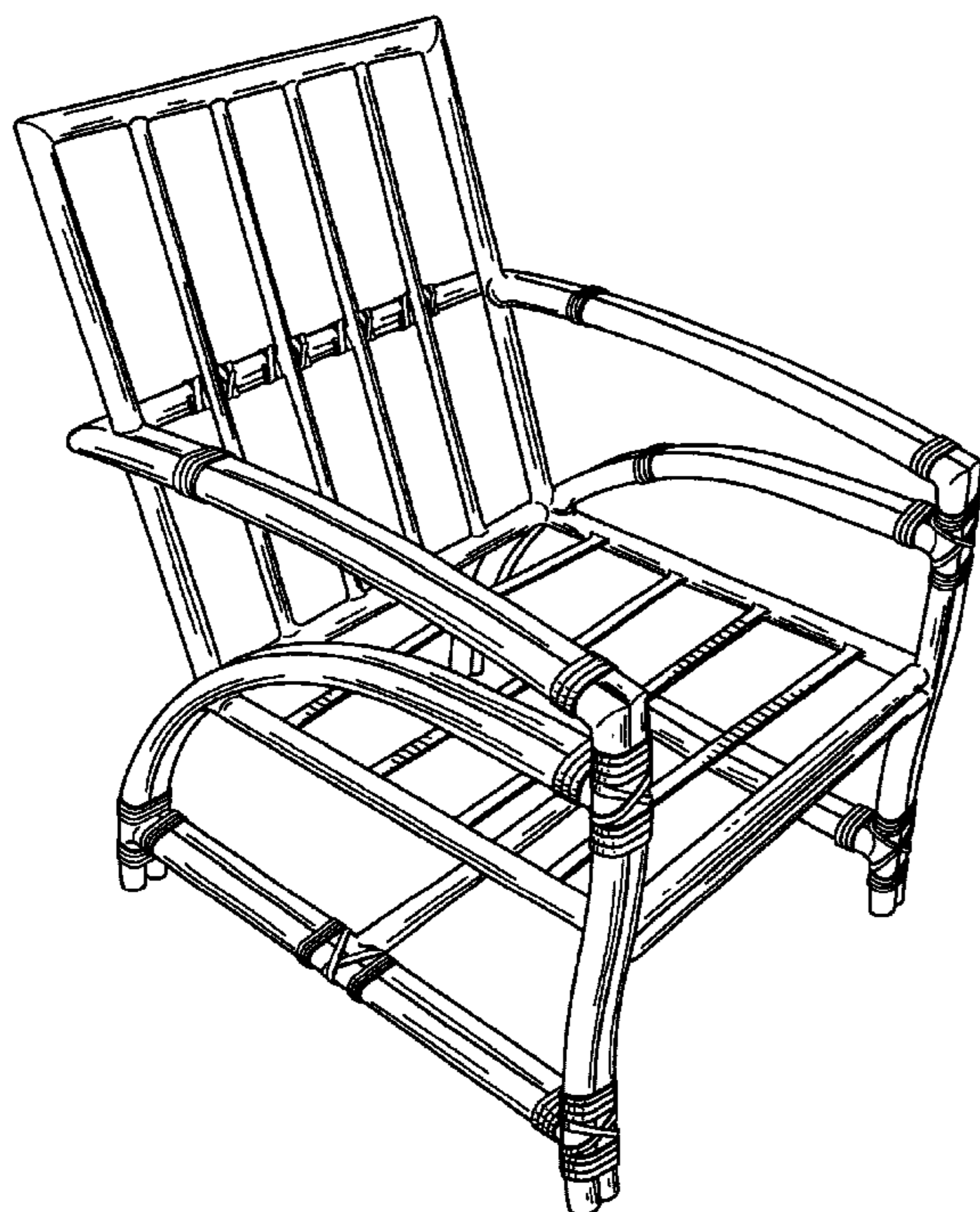
(57) **CLAIM**

The ornamental design for a chair, as shown and described.

DESCRIPTION

FIG. 1 is a perspective view of my ornamental design; FIG. 2 is a right side view of the ornamental design of FIG. 1; FIG. 3 is left side view of the ornamental design of FIG. 1; FIG. 4 is front elevational view of the ornamental design of FIG. 1; FIG. 5 is a rear elevational view of the ornamental design of FIG. 1; FIG. 6 is top plan view of the ornamental design of FIG. 1; FIG. 7 is bottom plan view of the ornamental design of FIG. 1; and, FIG. 8 is a perspective view of my ornamental design of FIG. 1 with broken lines showing cushions, which are shown for illustrative purposes only and form no part of the claimed design.

1 Claim, 8 Drawing Sheets



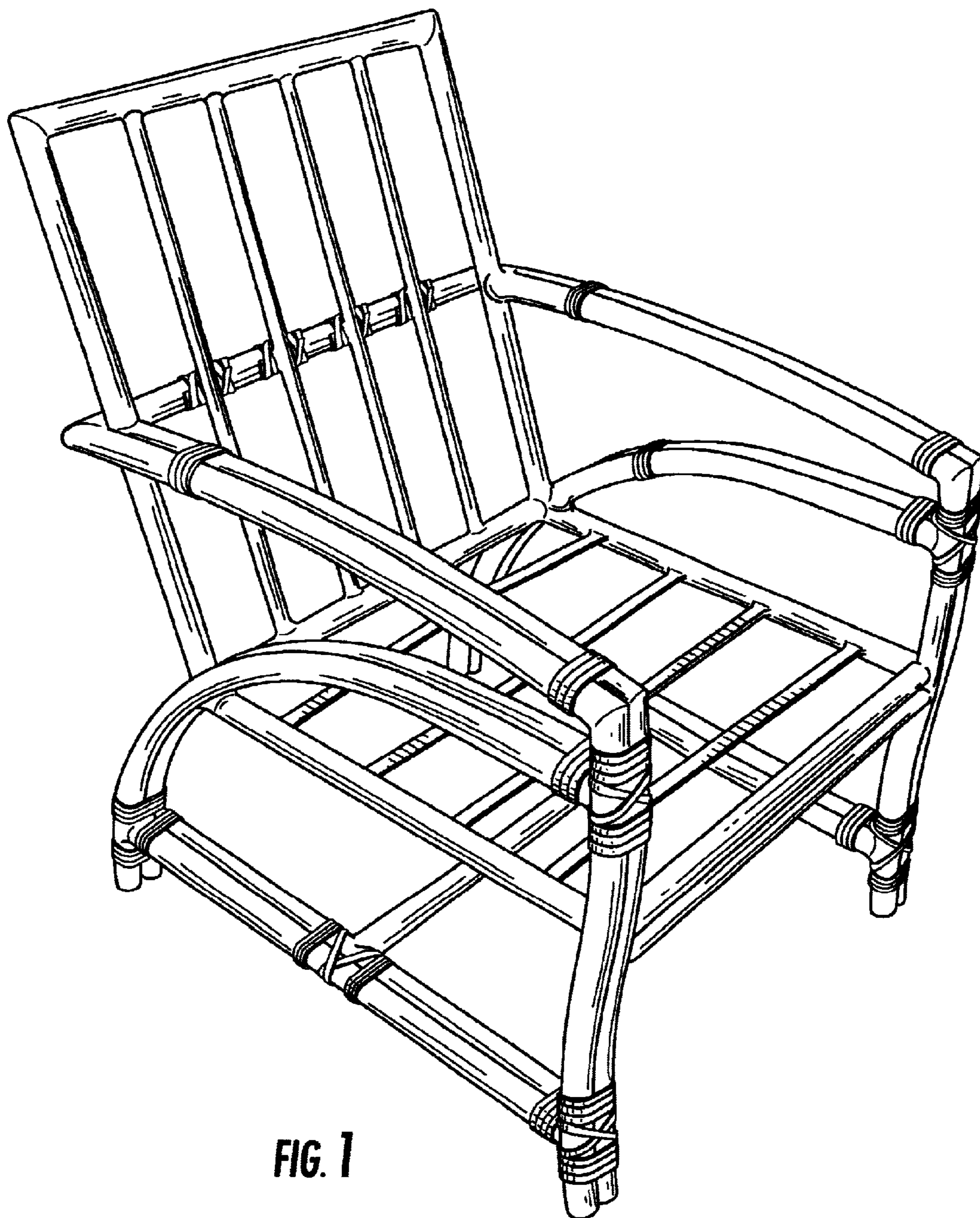


FIG. 1

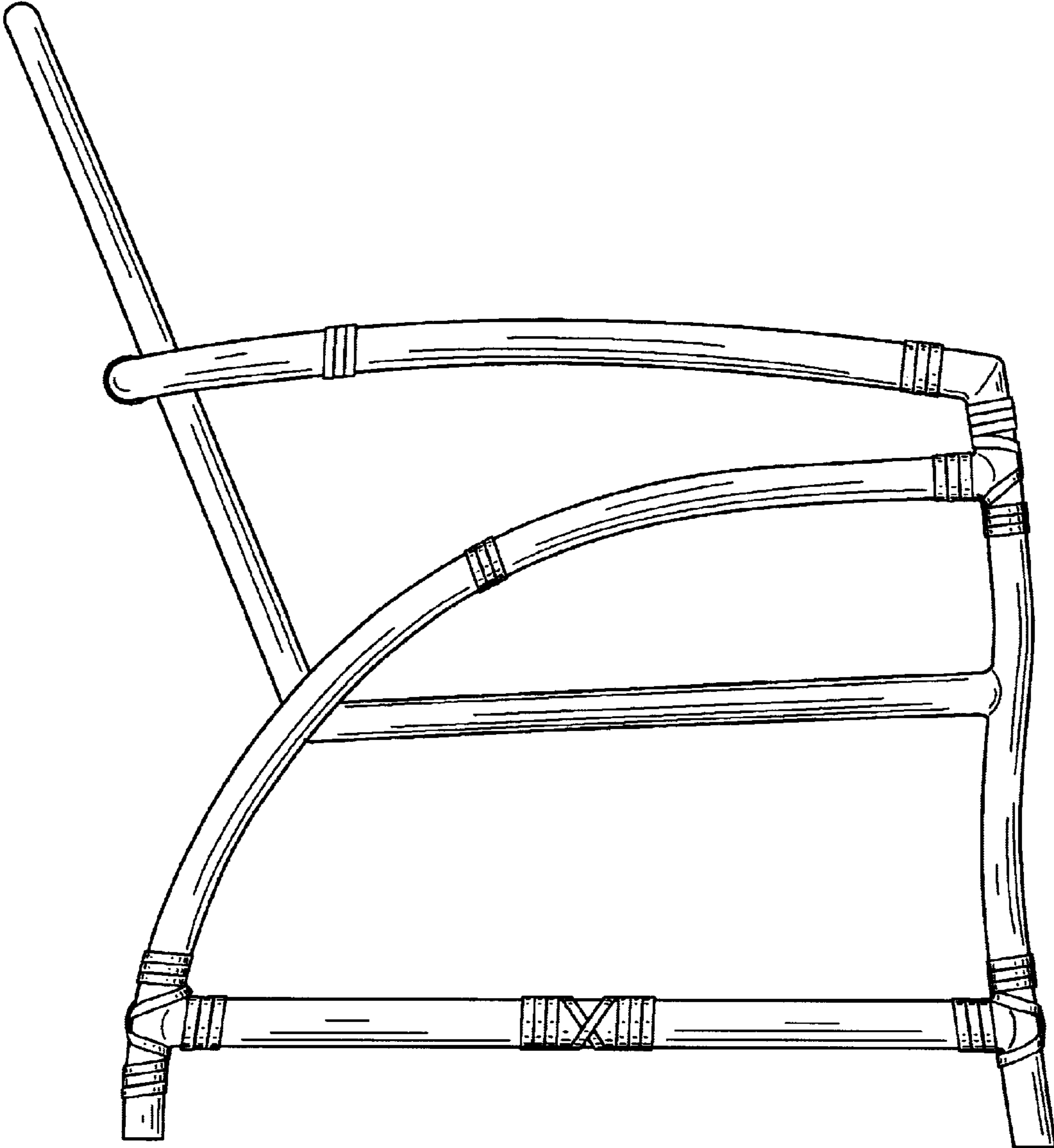


FIG. 2

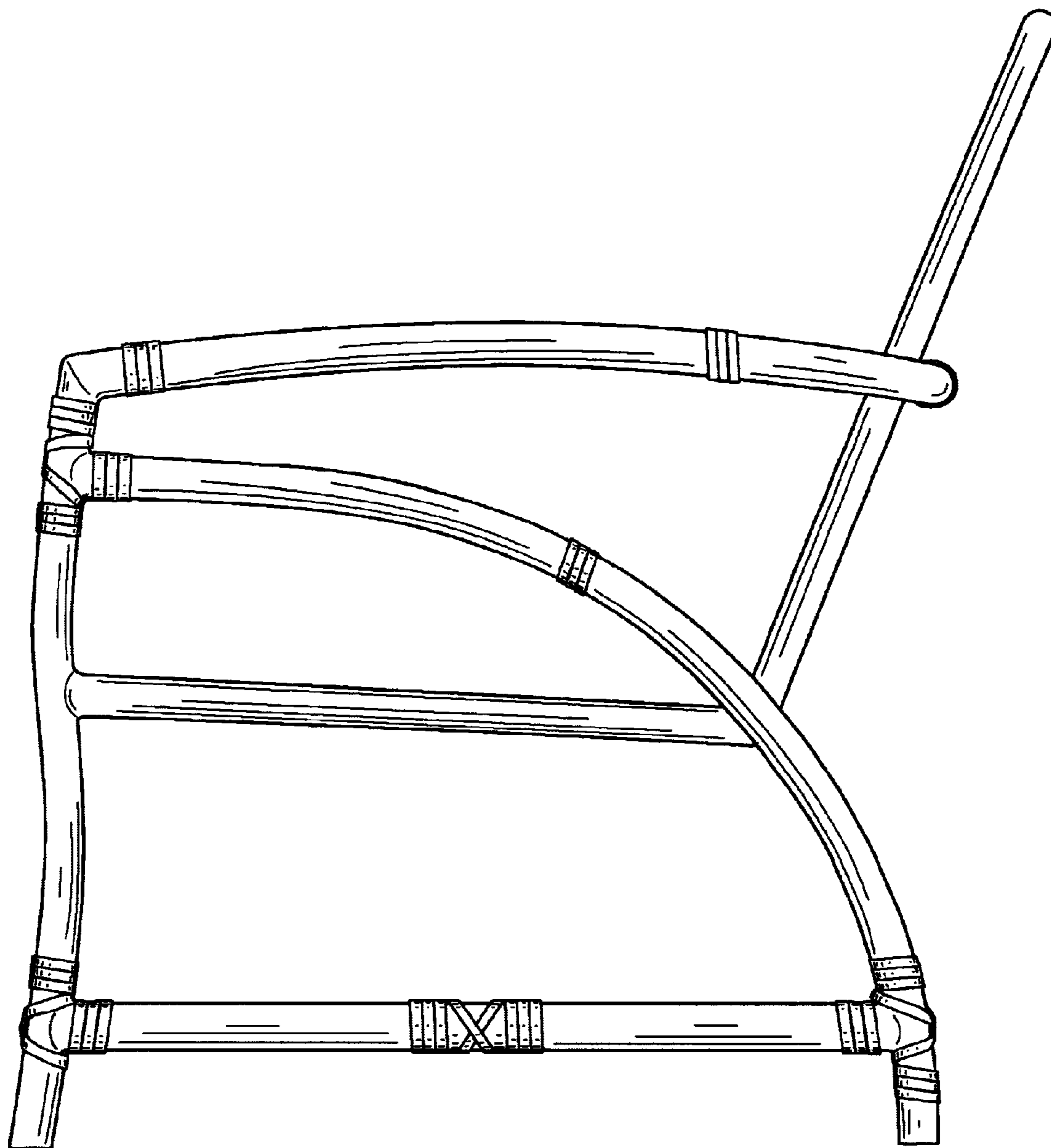


FIG. 3

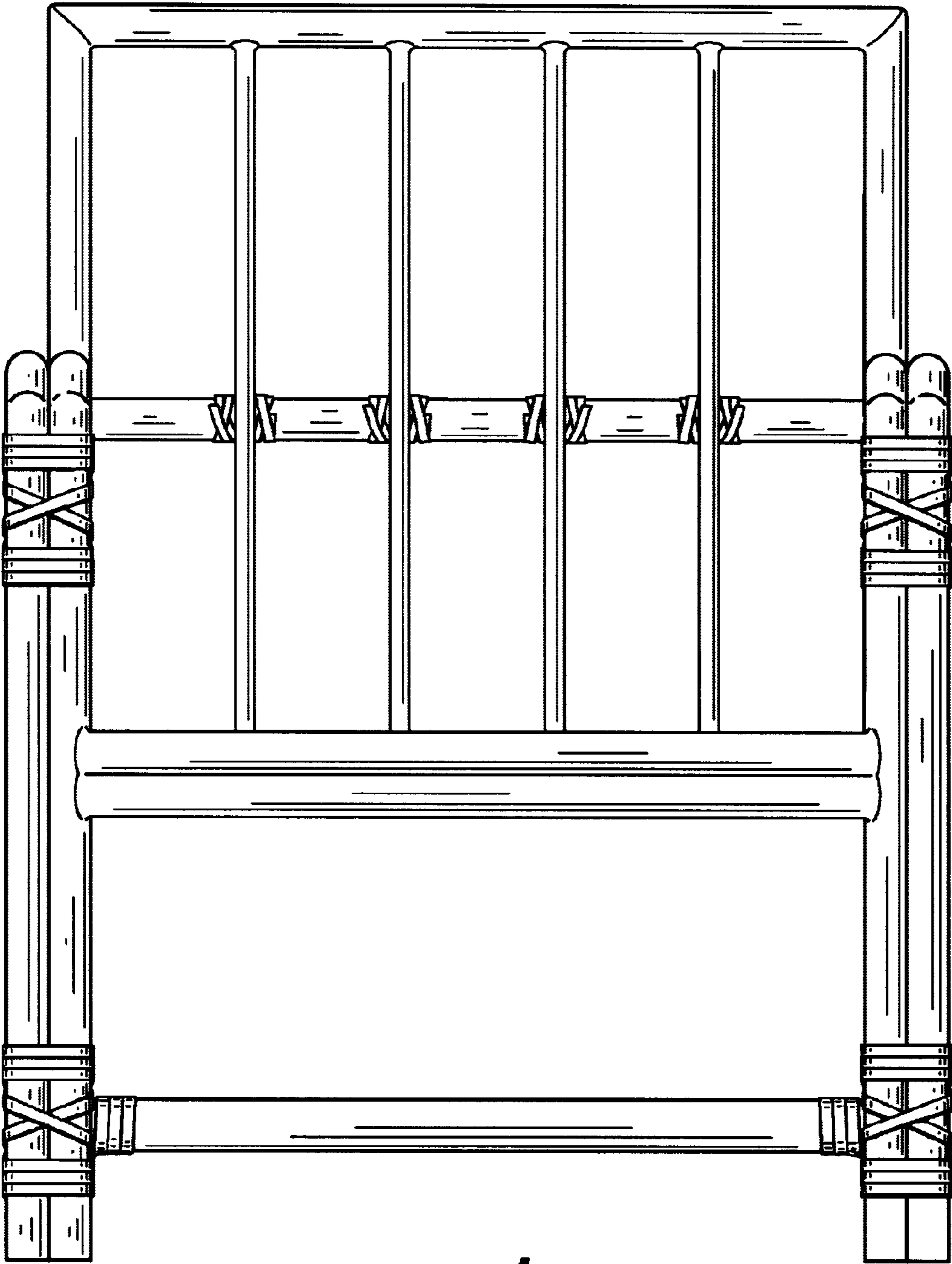


FIG. 4

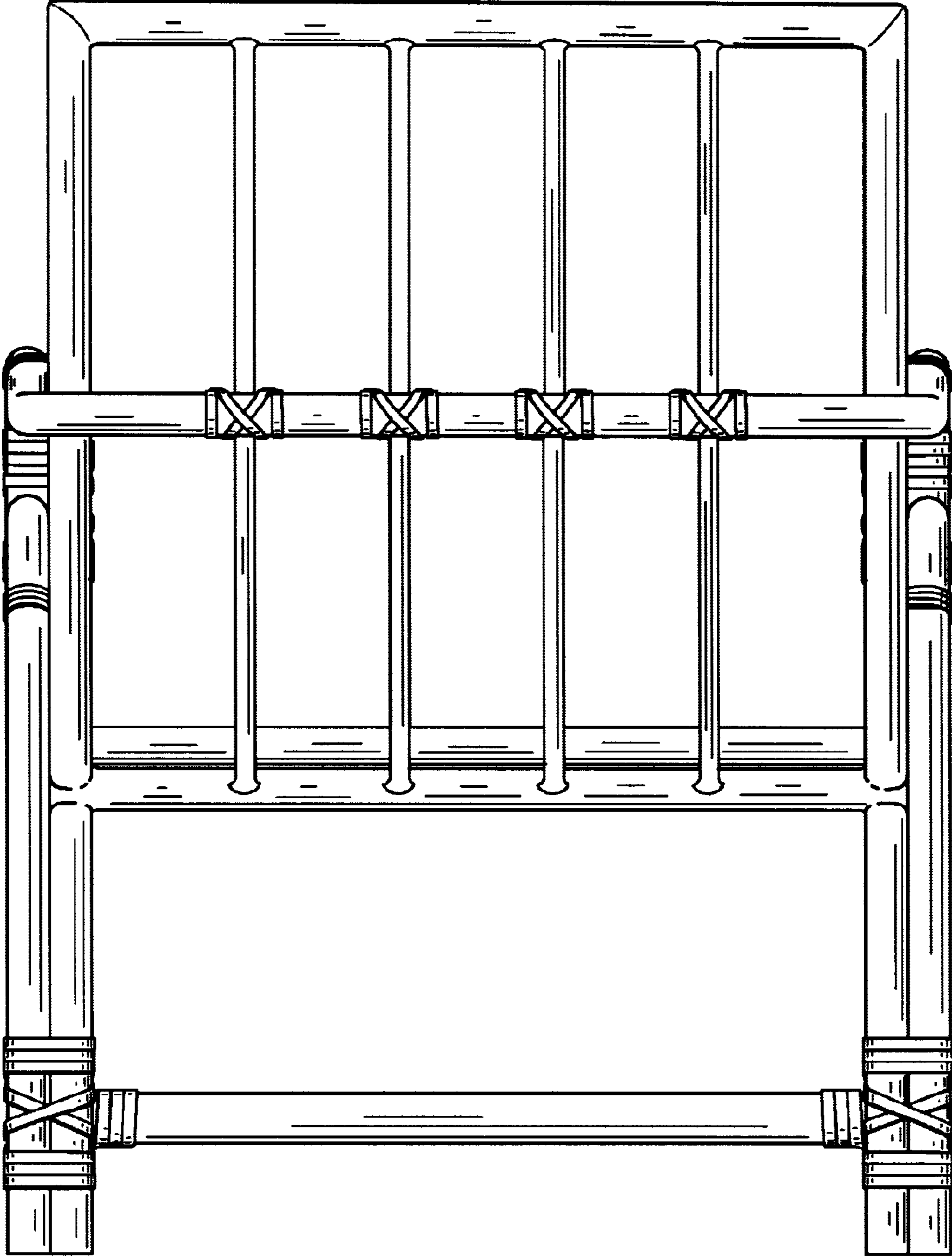


FIG. 5

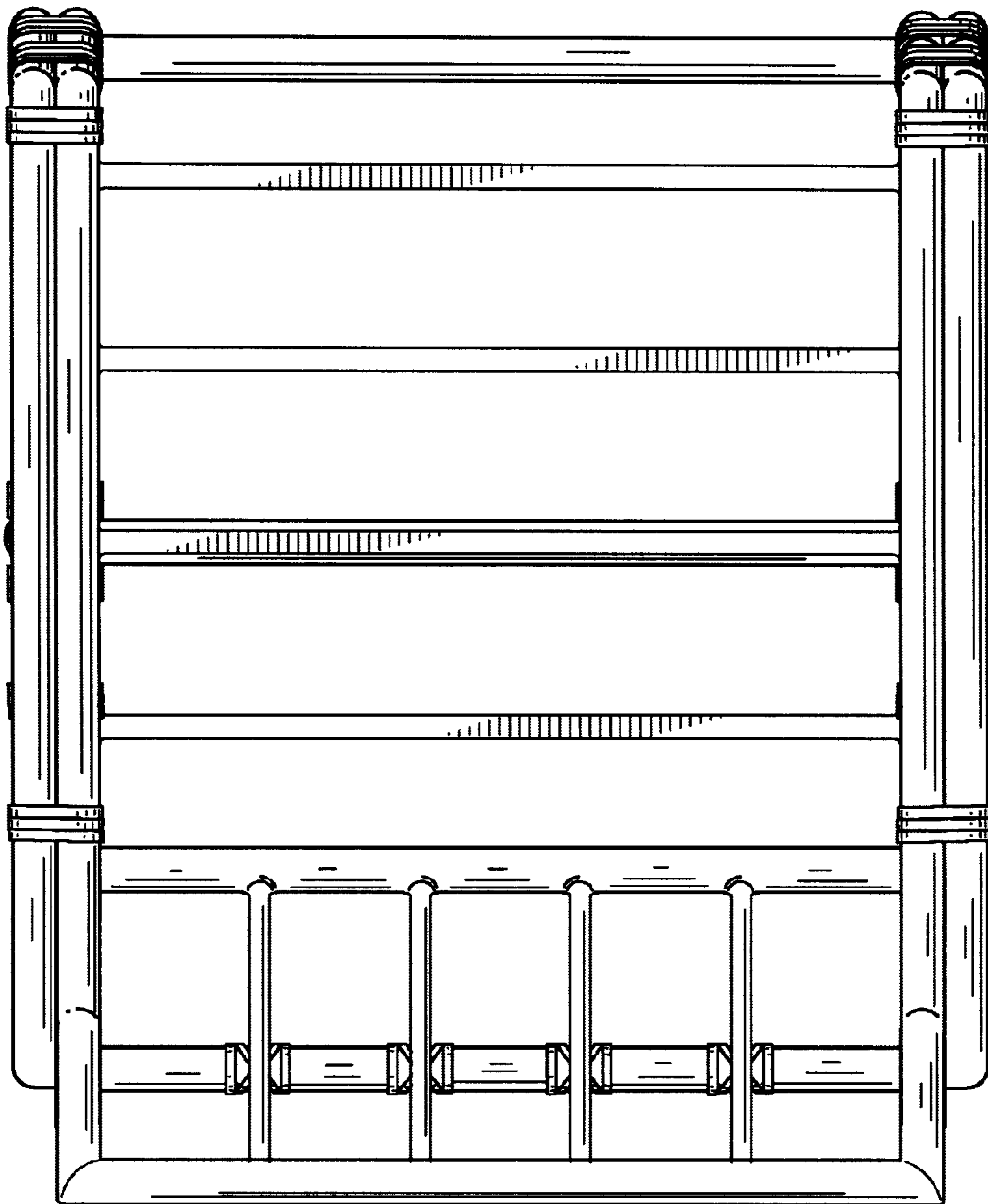


FIG. 6

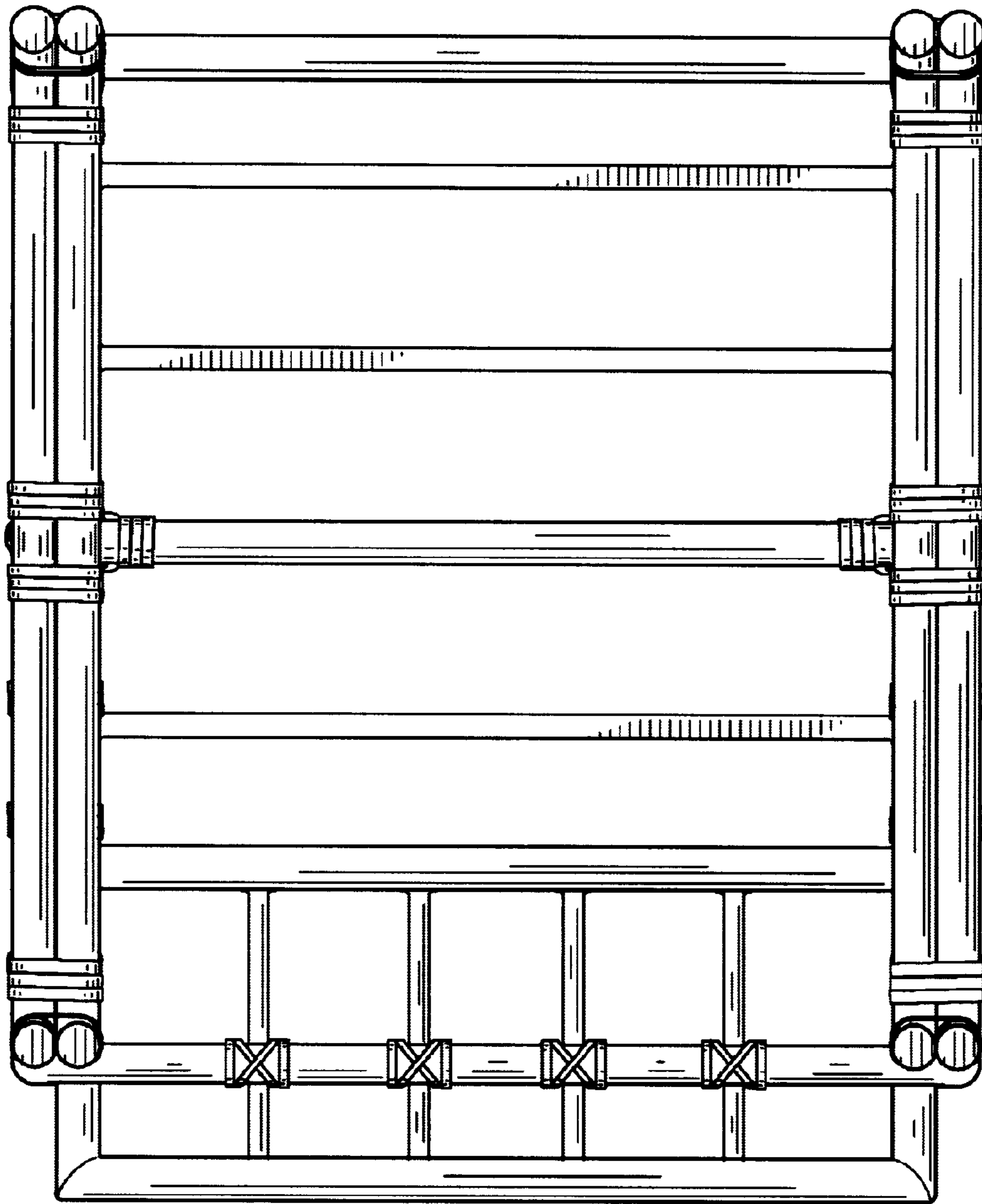


FIG. 7

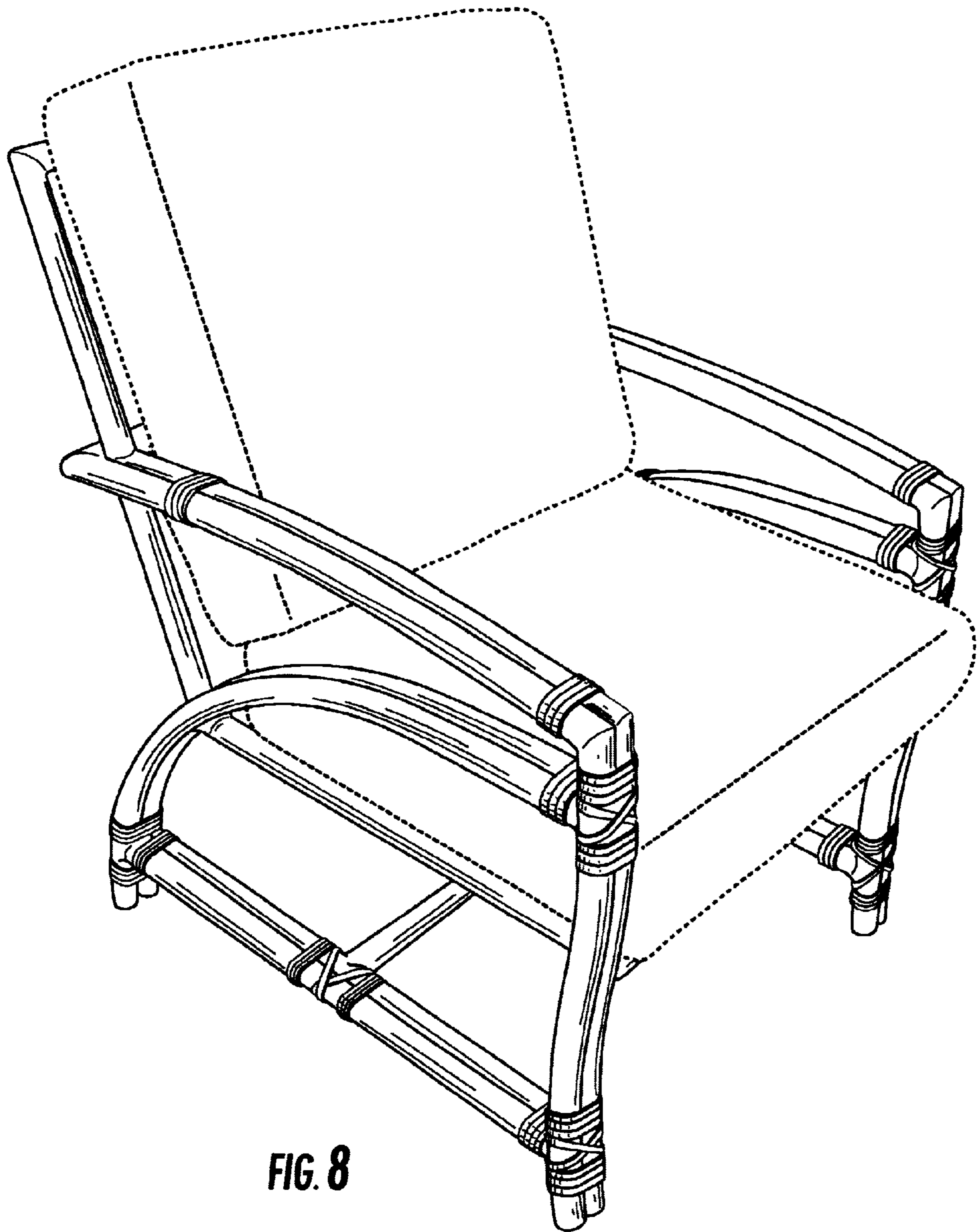


FIG. 8