

US00D525794S

(12) **United States Design Patent**
Ball et al.

(10) **Patent No.:** **US D525,794 S**

(45) **Date of Patent:** **** Aug. 1, 2006**

(54) **DISPLAY**

(76) Inventors: **Brian Ball**, 1926 Prairie Sq. #120,
Schaumburg, IL (US) 60173; **Angie Bess**, 9853 W. Vista, Hillsboro, MO
(US) 63050

(**) Term: **14 Years**

(21) Appl. No.: **29/202,529**

(22) Filed: **Mar. 31, 2004**

(51) **LOC (8) Cl.** **06-06**

(52) **U.S. Cl.** **D6/332**

(58) **Field of Classification Search** D6/332,
D6/396, 397, 402, 421, 449, 454; D20/10;
D25/47, 49; 160/351; 49/501, 70, 98
See application file for complete search history.

(56) **References Cited**

U.S. PATENT DOCUMENTS

4,043,086	A	*	8/1977	Kaulfuss et al.	52/71
5,501,051	A	*	3/1996	Harlan	52/646
5,537,766	A	*	7/1996	Nickens et al.	40/605
D385,044	S	*	10/1997	Johnson	D25/58
6,009,930	A	*	1/2000	Jantschek	160/135
6,293,328	B1	*	9/2001	Fremont	160/135
D455,016	S	*	4/2002	Newhouse	D6/332
D482,204	S		11/2003	Berg et al.		
6,681,532	B1	*	1/2004	Palmbos et al.	52/71

D493,290	S	*	7/2004	Berg et al.	D6/332
D496,798	S	*	10/2004	Berg et al.	D6/332
D497,486	S	*	10/2004	Quiel	D6/332

* cited by examiner

Primary Examiner—Stacia Cadmus

Assistant Examiner—Terrence Huang

(74) *Attorney, Agent, or Firm*—Barnes & Thornberg LLP

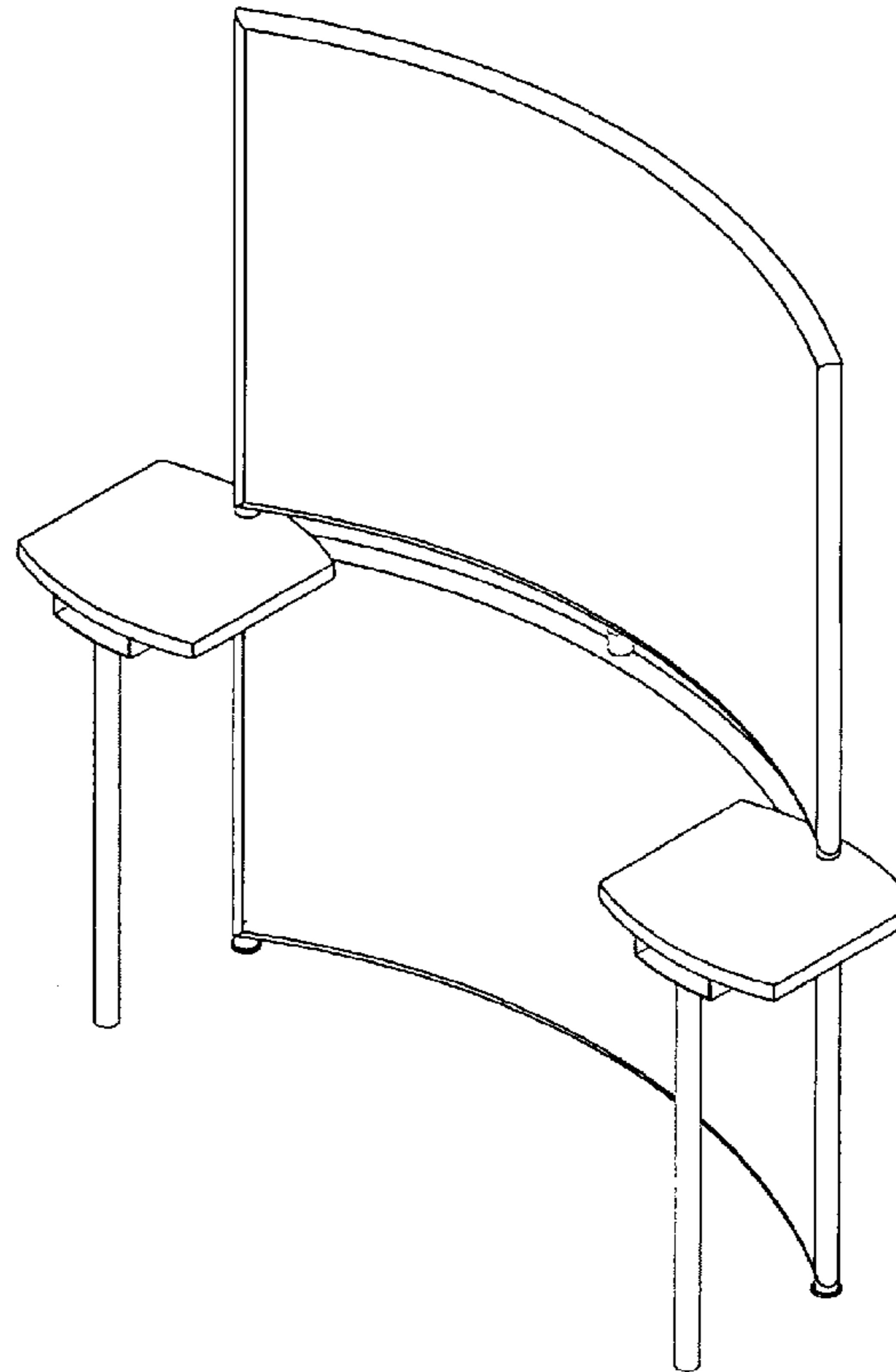
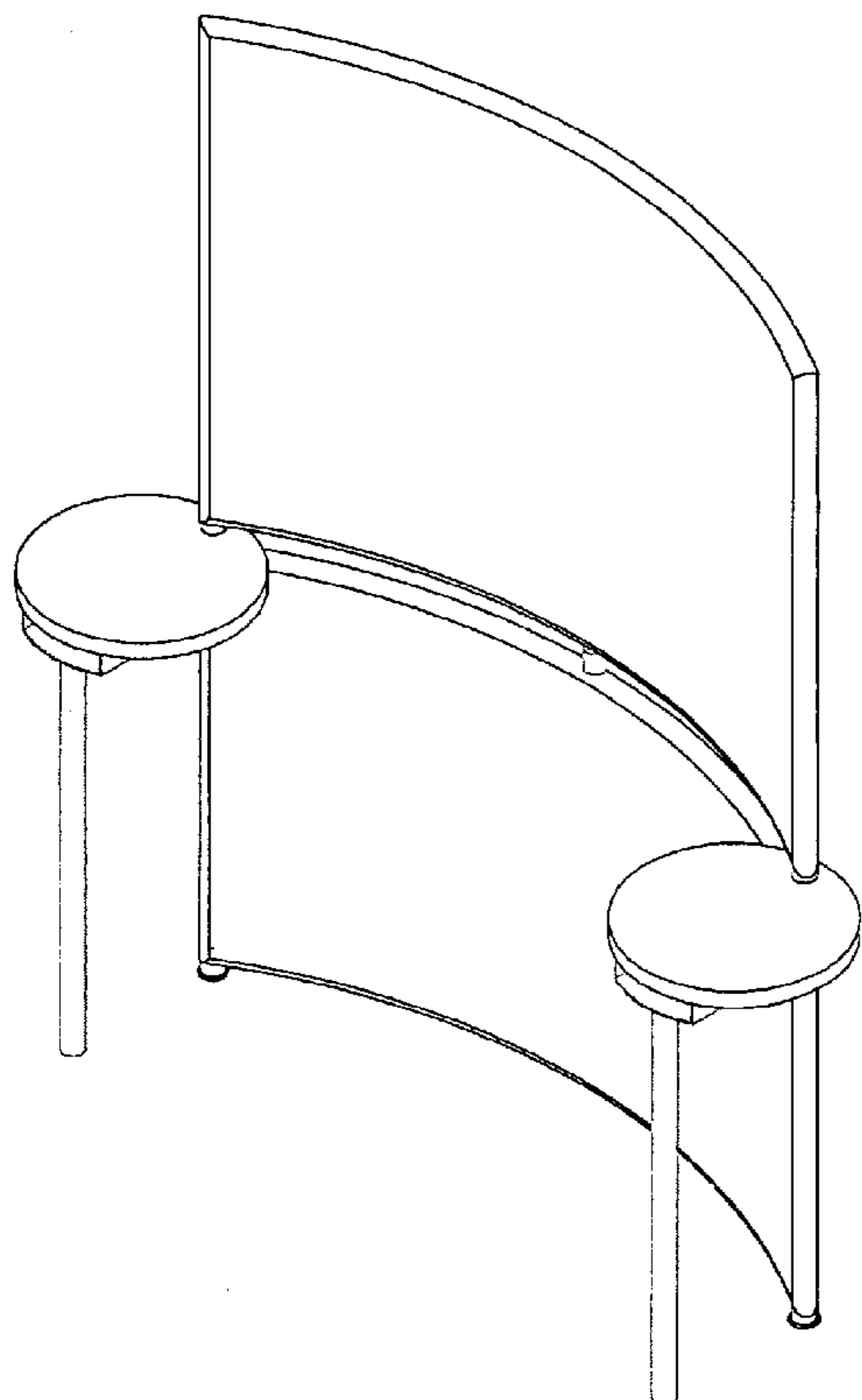
(57) **CLAIM**

The ornamental design for display, as shown and described.

DESCRIPTION

FIG. 1 is a front perspective view of a display according to a first embodiment of the design;
 FIG. 2 is a front elevational view thereof;
 FIG. 3 is a back elevational view thereof;
 FIG. 4 is side elevational view thereof;
 FIG. 5 is top plan view thereof;
 FIG. 6 is a bottom plan view thereof;
 FIG. 7 is a front perspective view of a display according to a second embodiment;
 FIG. 8 is a front elevational view thereof;
 FIG. 9 is a back elevational view thereof;
 FIG. 10 is side elevational view thereof;
 FIG. 11 is top plan view thereof; and,
 FIG. 12 is a bottom plan view thereof.

1 Claim, 12 Drawing Sheets



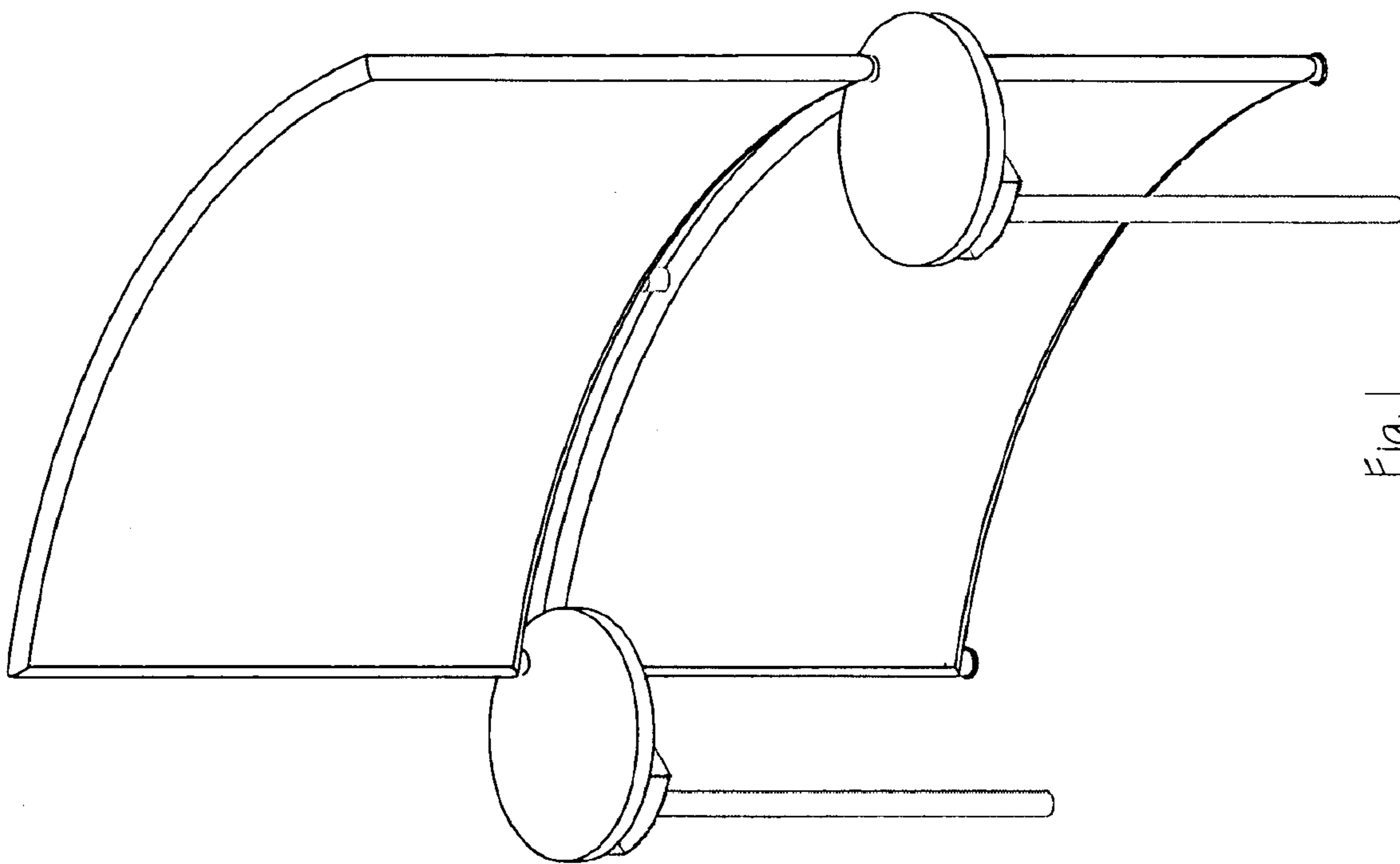


Fig. 1

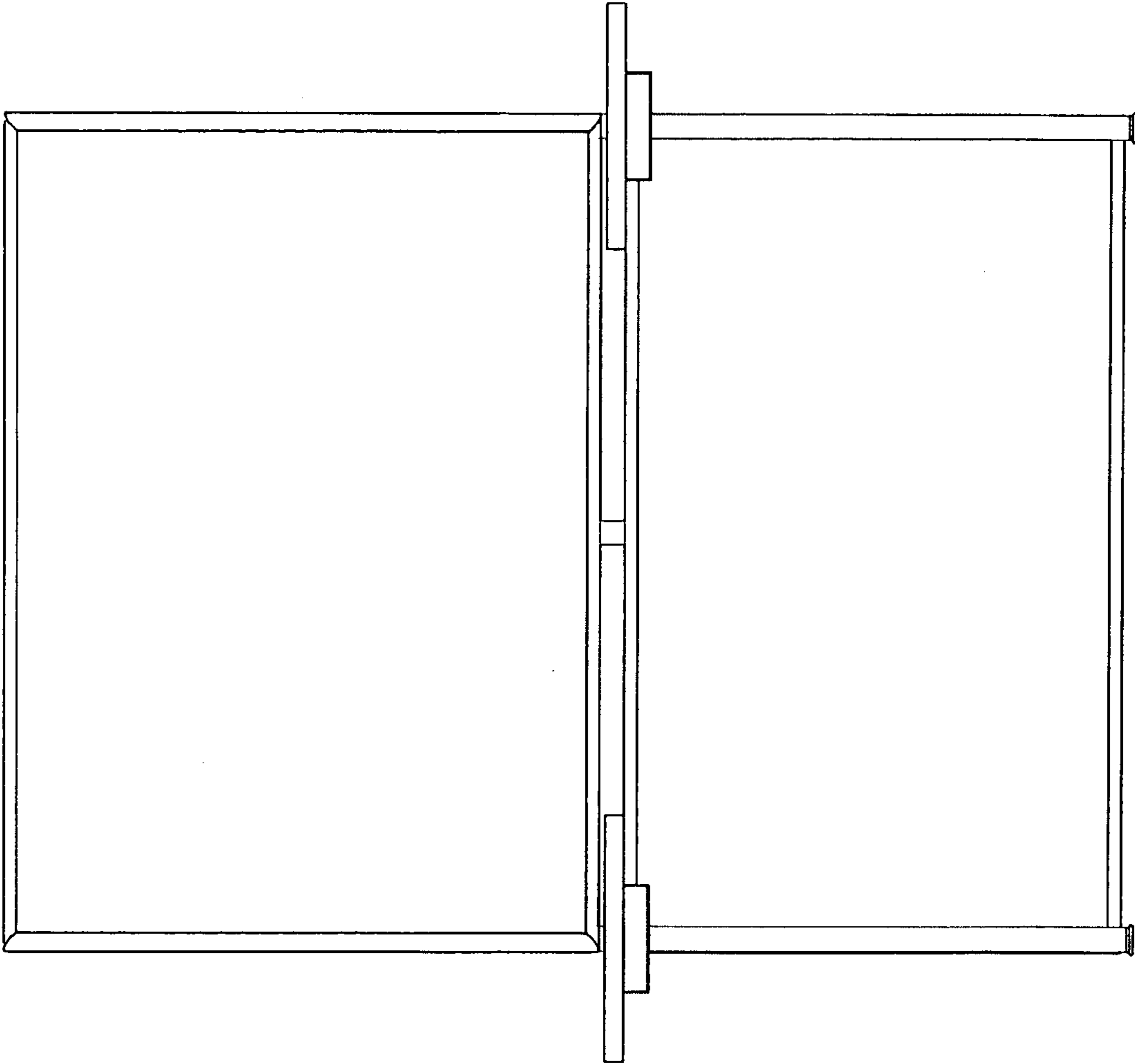


Fig. 2

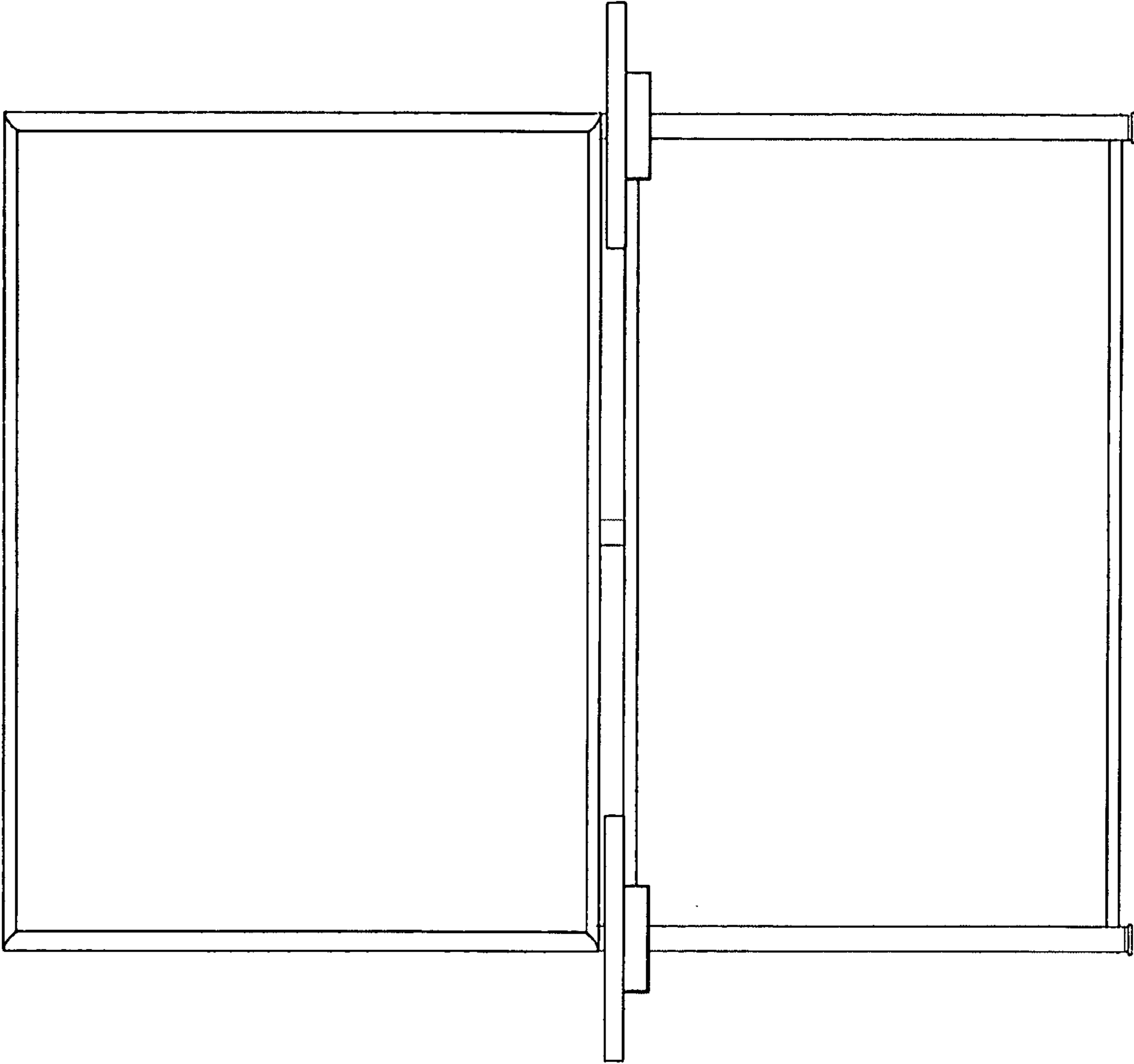


Fig. 3

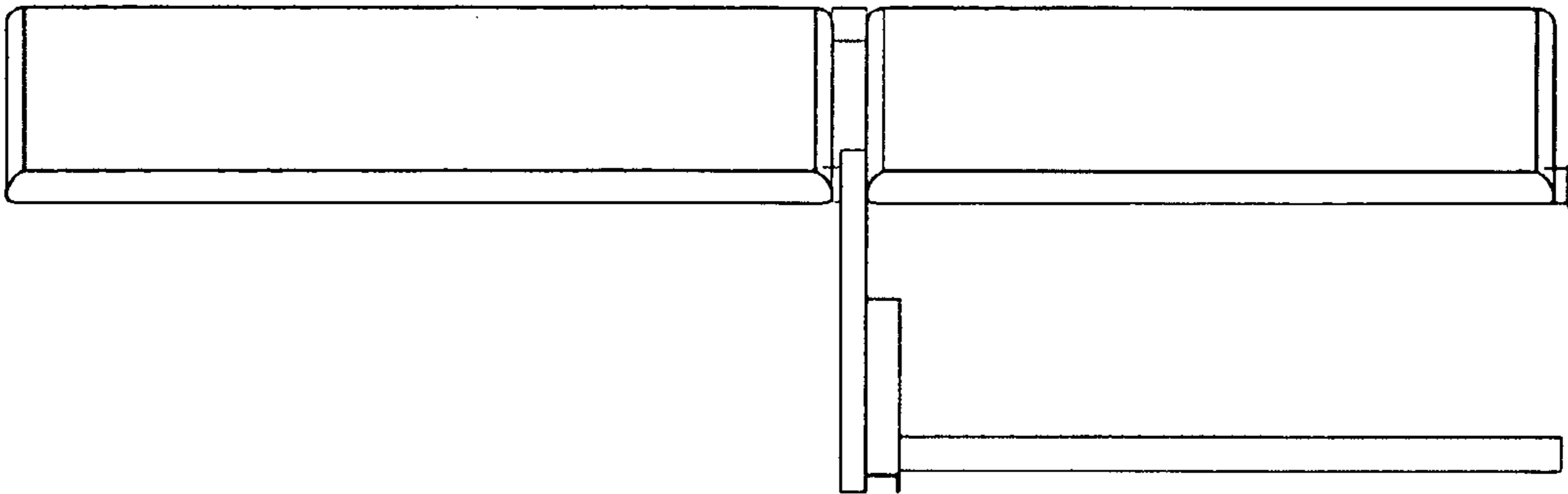


Fig. 4

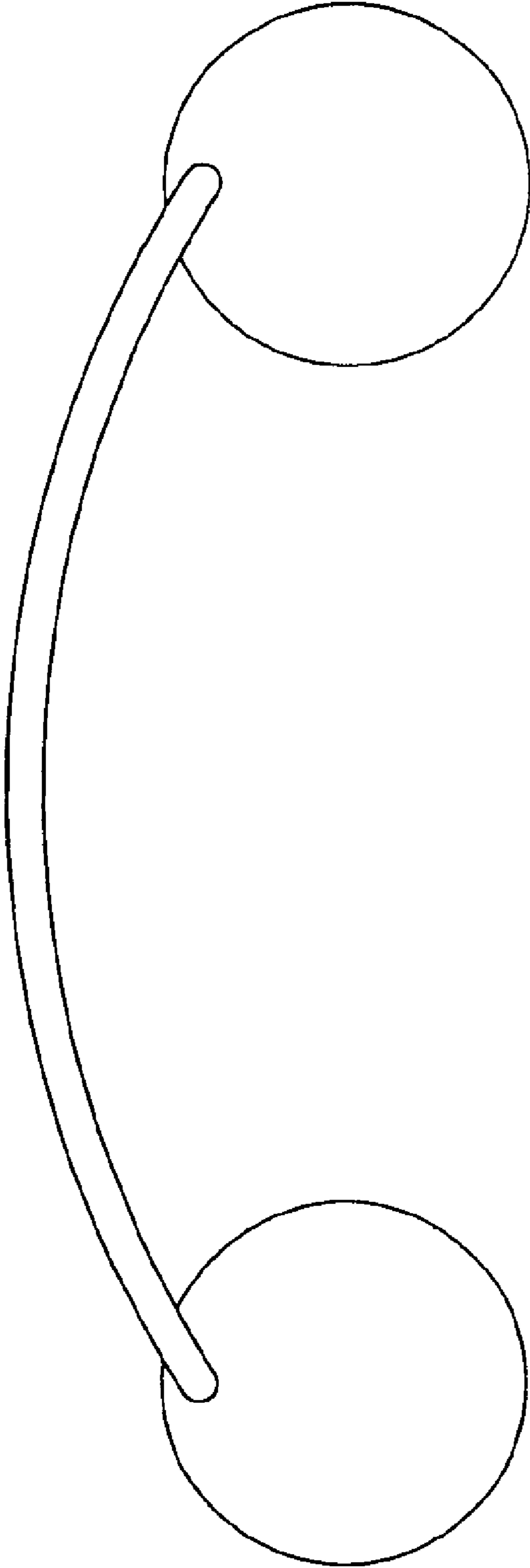


Fig. 5

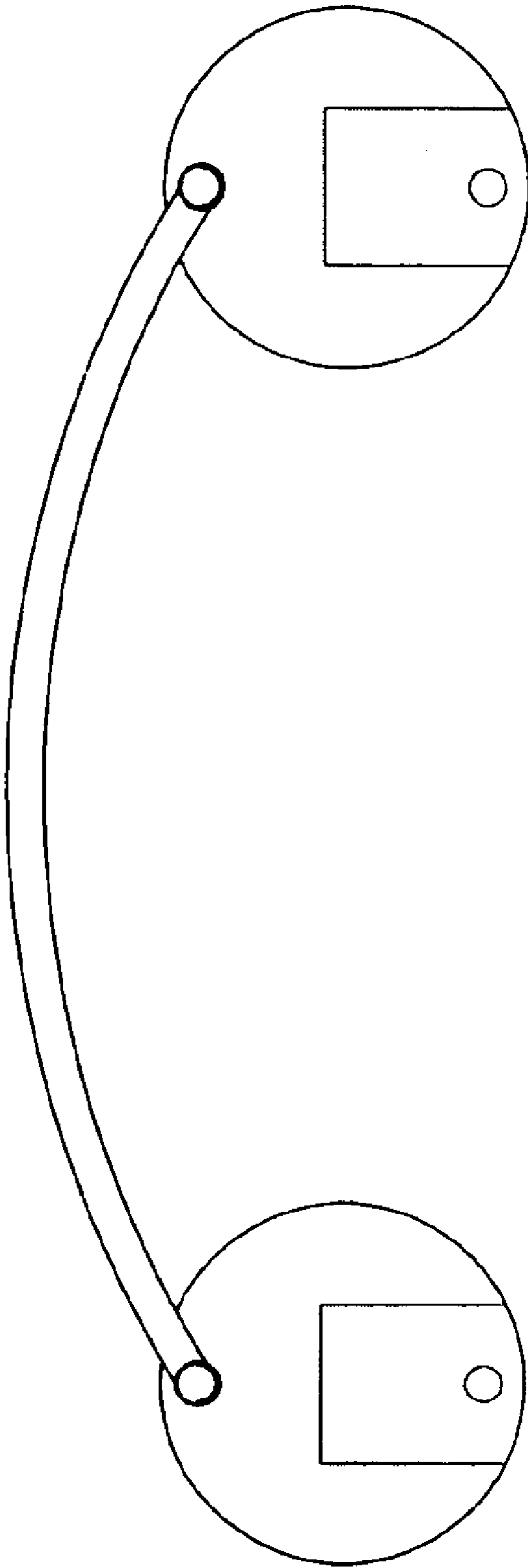


Fig. 6

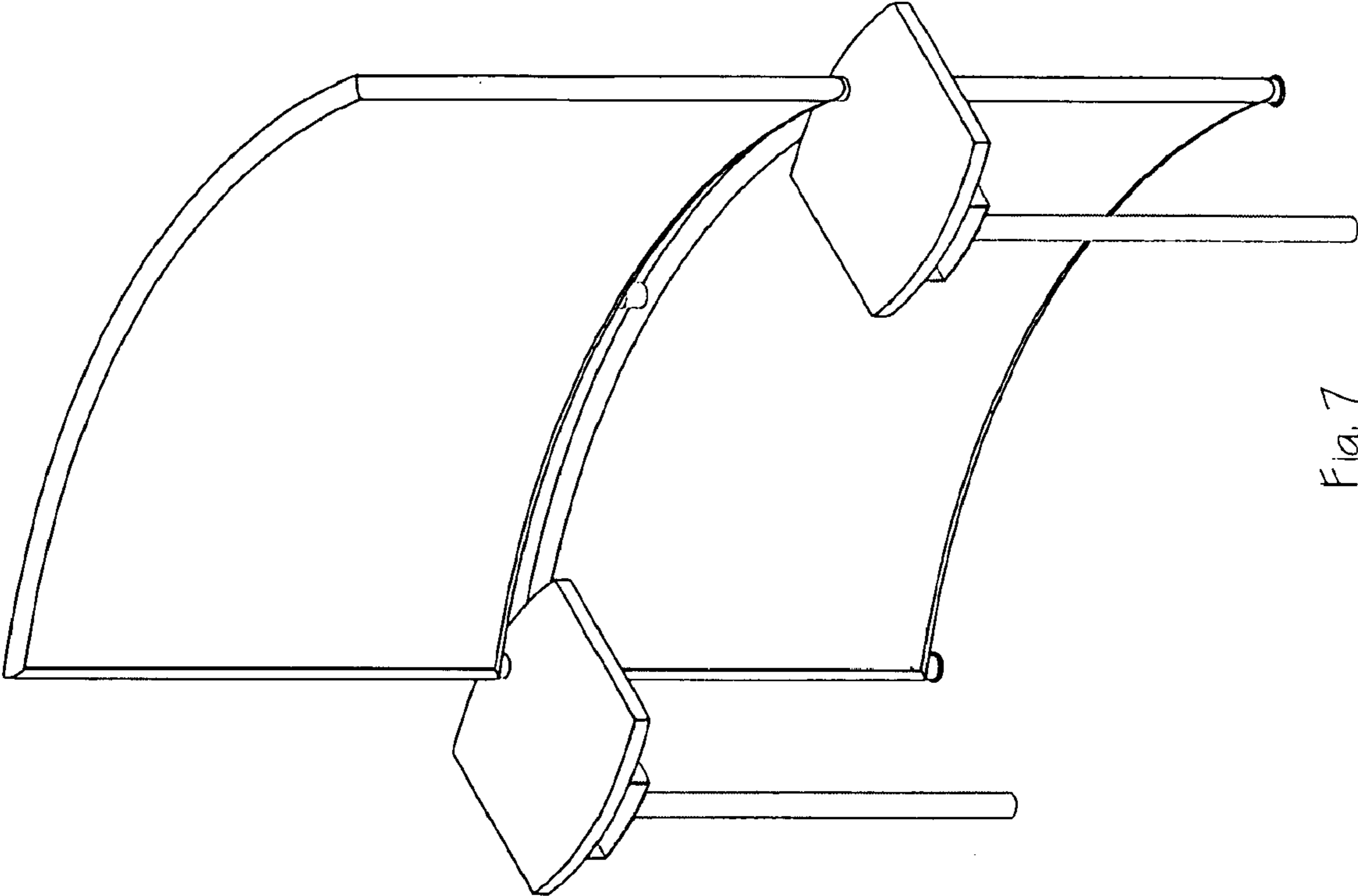


Fig. 7

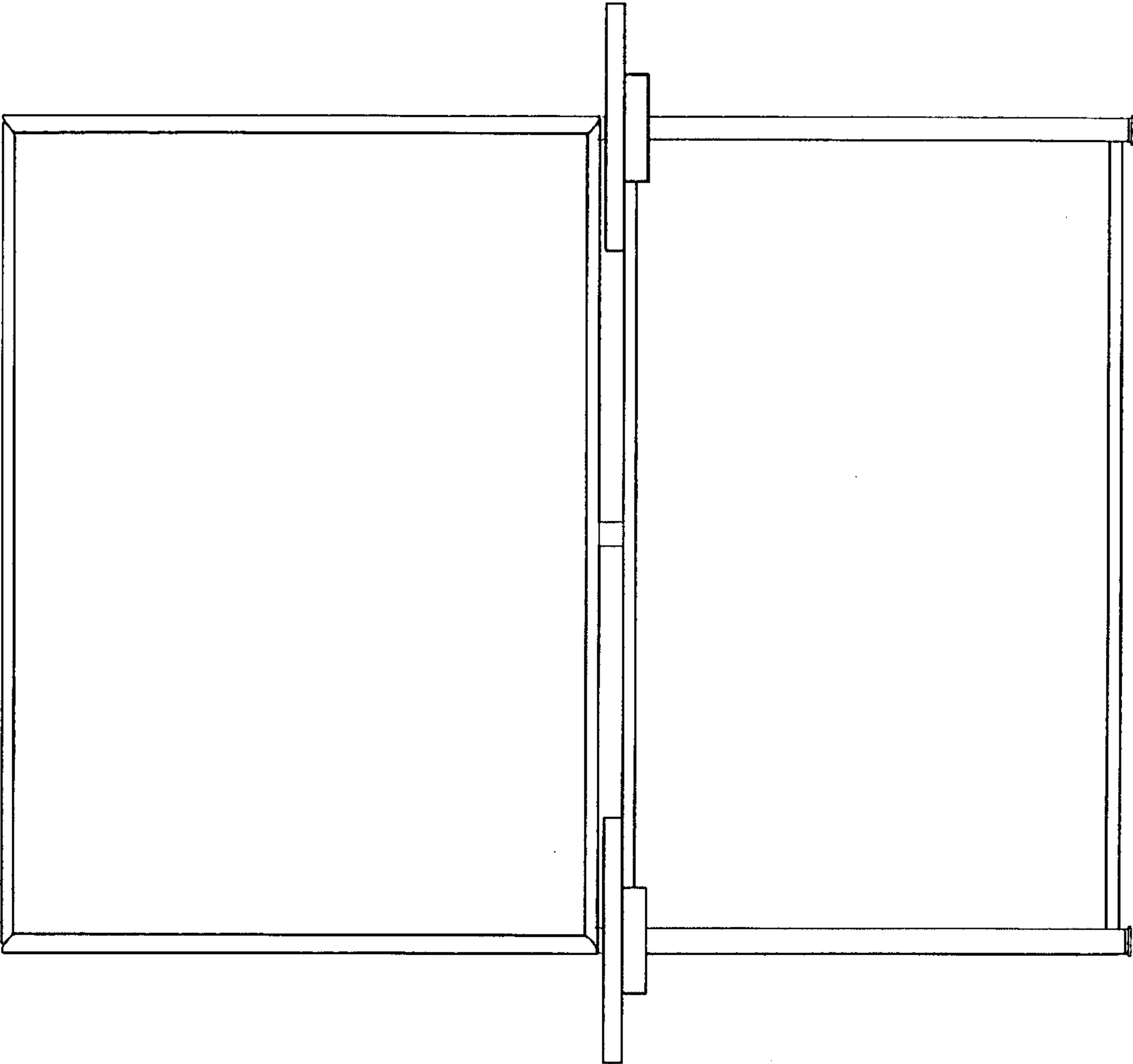


Fig. 8

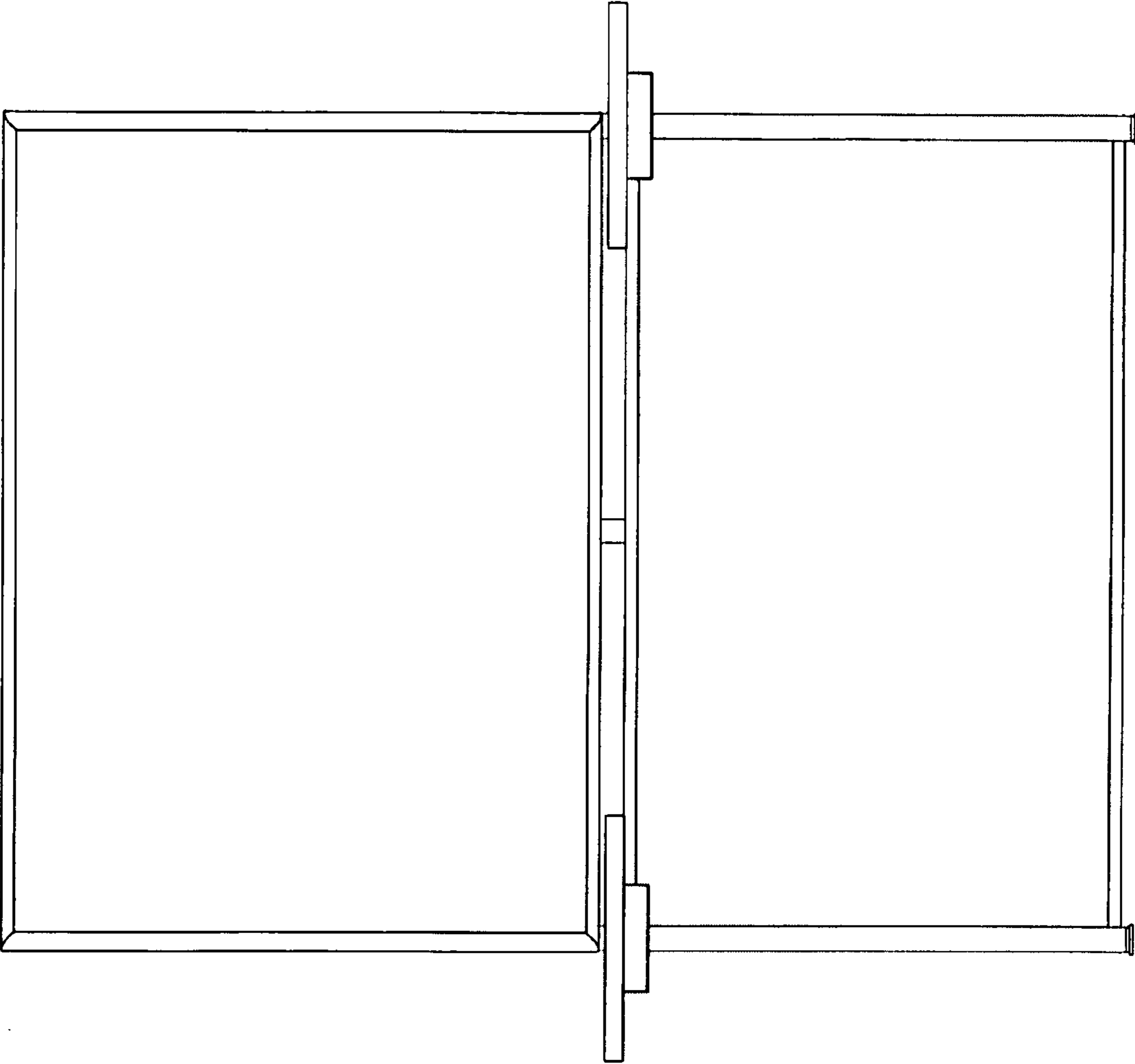


Fig. 9

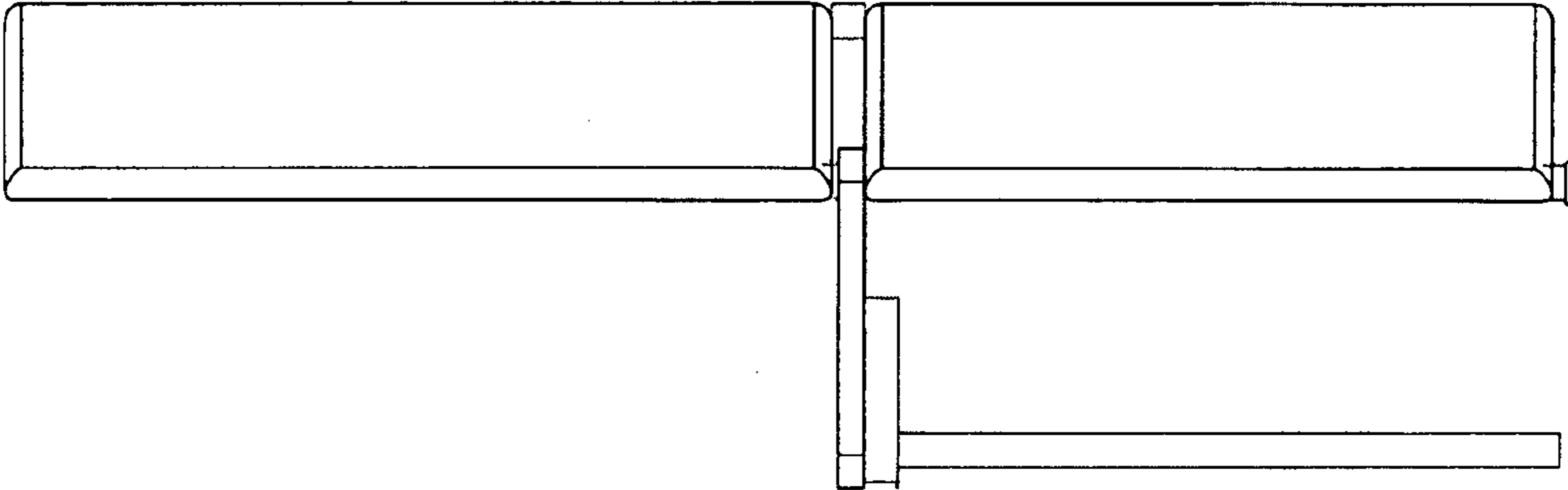


Fig. 10

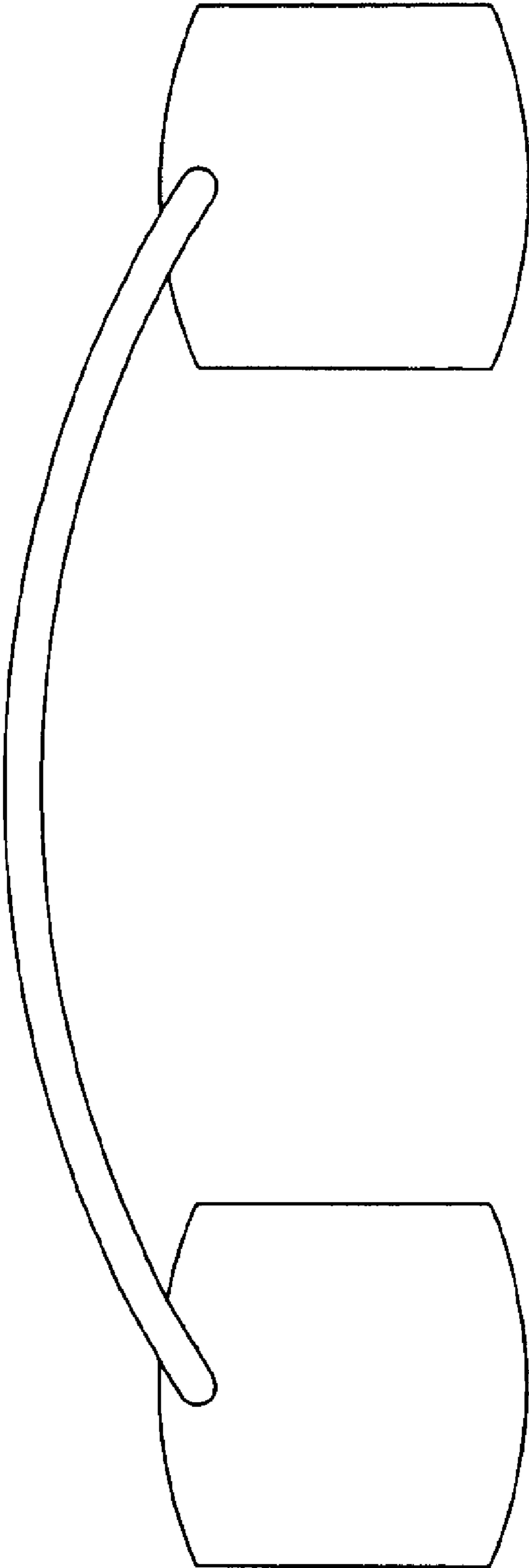


Fig. 11

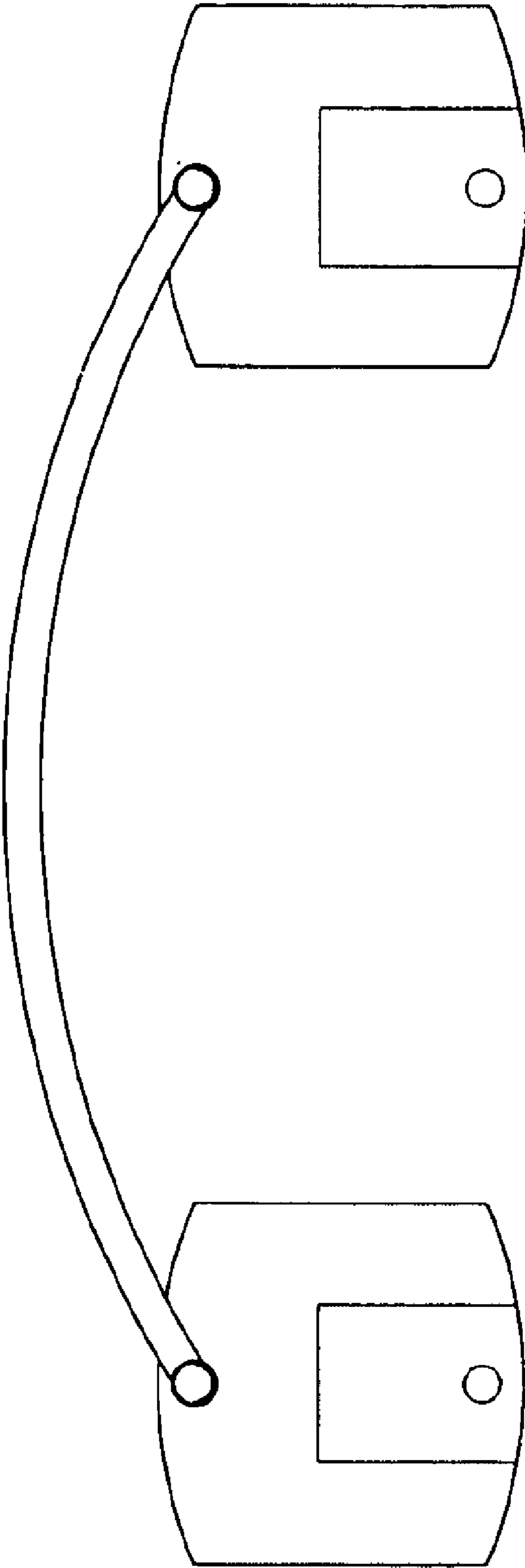


Fig. 12