

US00D525792S

(12) **United States Design Patent**
Leighton

(10) **Patent No.:** **US D525,792 S**

(45) **Date of Patent:** **** Aug. 1, 2006**

(54) **PROPANE TANK COVER/CARRIER**

(76) **Inventor:** **Lisa M. Leighton**, 120 N. Joy St.,
Corona, CA (US) 92879

(**) **Term:** **14 Years**

(21) **Appl. No.:** **29/206,771**

(22) **Filed:** **Jun. 2, 2004**

(51) **LOC (8) Cl.** **03-01**

(52) **U.S. Cl.** **D3/316**

(58) **Field of Classification Search** D3/321,
D3/244, 245, 246, 201, 202, 232-4, 238,
D3/240, 242-3, 247, 316, 215, 219, 224,
D3/226, 303, 900, 270; D9/434-5; 294/31.2;
D7/605-8; D23/206

See application file for complete search history.

(56) **References Cited**

U.S. PATENT DOCUMENTS

1,068,066	A	7/1913	Martin	
1,395,485	A	11/1921	Duncan	
3,766,954	A	10/1973	Gentellalli	
3,964,930	A	6/1976	Reiser	
D349,010	S	* 7/1994	Johnson D7/619.1
5,356,046	A	10/1994	Burke	
5,423,586	A	* 6/1995	Fuller 294/149
D374,975	S	* 10/1996	Vargas et al. D3/202
5,984,172	A	11/1999	Easterwood	
6,006,743	A	12/1999	Shimek et al.	
6,012,411	A	1/2000	Hochbrueckner	
D428,554	S	* 7/2000	Phelps D3/316
6,102,230	A	8/2000	Gould	

6,123,187	A	9/2000	Bartels	
6,142,192	A	11/2000	Dickinson et al.	
D457,936	S	5/2002	Garofalo et al.	
6,508,282	B1	1/2003	Garofalo et al.	
D473,629	S	* 4/2003	Johnson D23/206
D486,551	S	* 2/2004	McQuiston D23/206
D486,945	S	* 2/2004	Brock et al. D29/126
D492,821	S	* 7/2004	Bergeron D29/129

* cited by examiner

Primary Examiner—Louis S. Zarfes

Assistant Examiner—Kathleen Sims

(74) *Attorney, Agent, or Firm*—Stetina Brunda Garred & Brucker

(57) **CLAIM**

The ornamental design for a propane tank cover/carrier, as shown and described.

DESCRIPTION

FIG. 1 is a front perspective view of the propane tank cover/carrier showing my new design; FIG. 2 is a right side elevational view thereof; FIG. 3 is a front elevational view thereof; FIG. 4 is a top plan view thereof; FIG. 5 is a bottom plan view thereof; FIG. 6 is a left side elevational view thereof; and, FIG. 7 is a rear elevational view thereof.

The short broken lines shown in FIGS. 1-7 represent conventional stitching.

The long broken lines shown in FIG. 1 depict environmental structure and form no part of the claimed design.

1 Claim, 2 Drawing Sheets

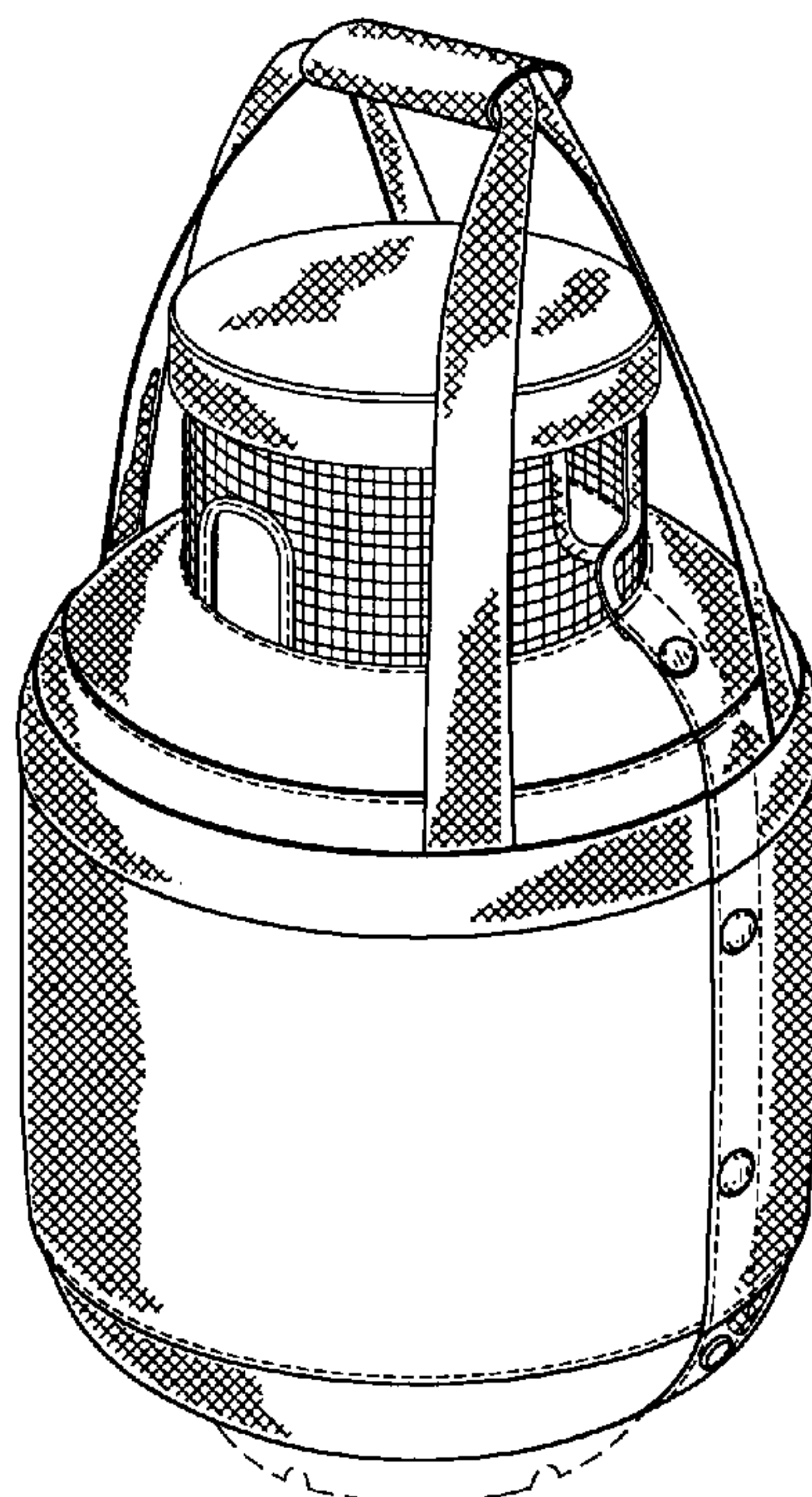


Fig. 1

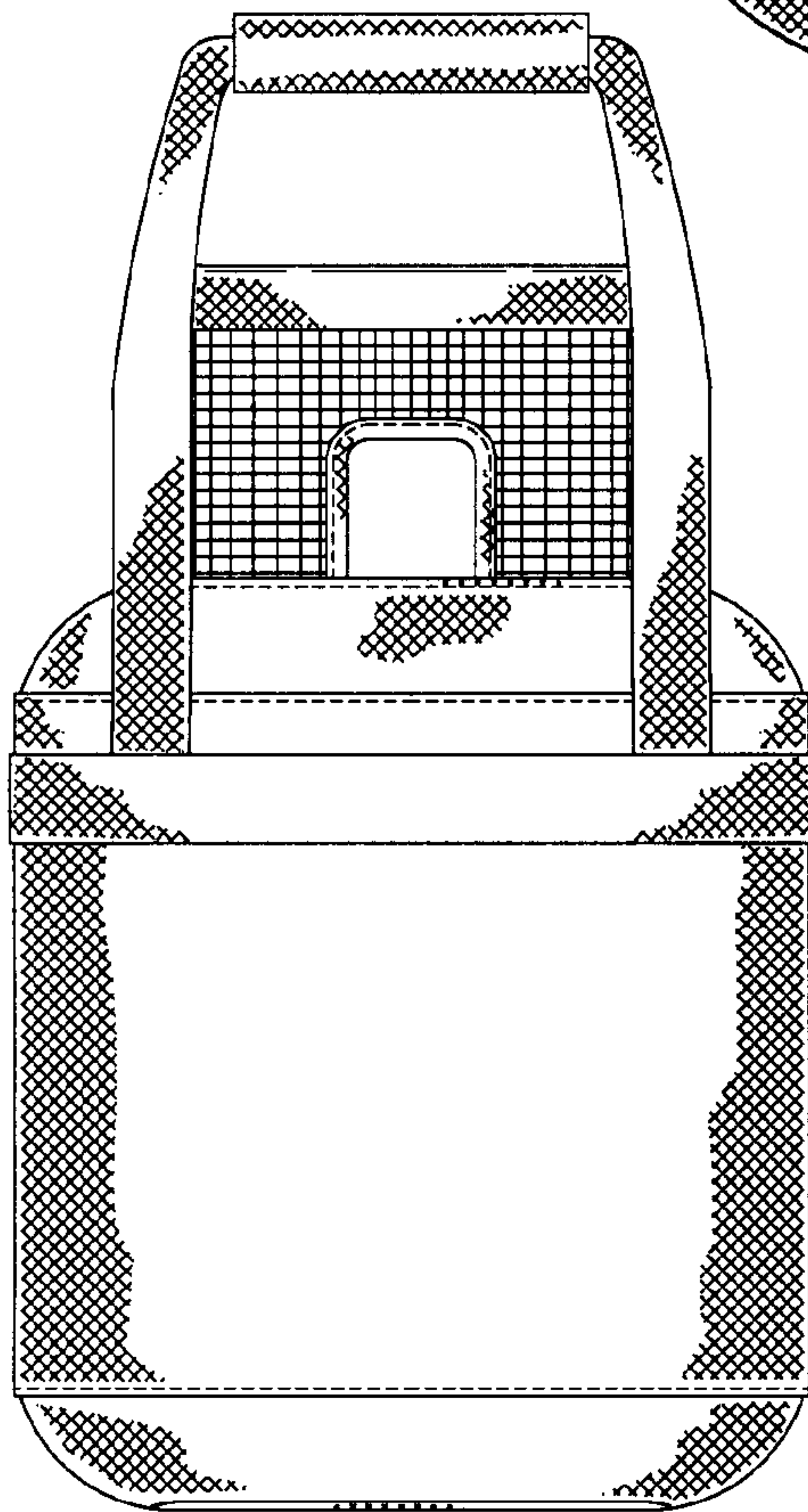
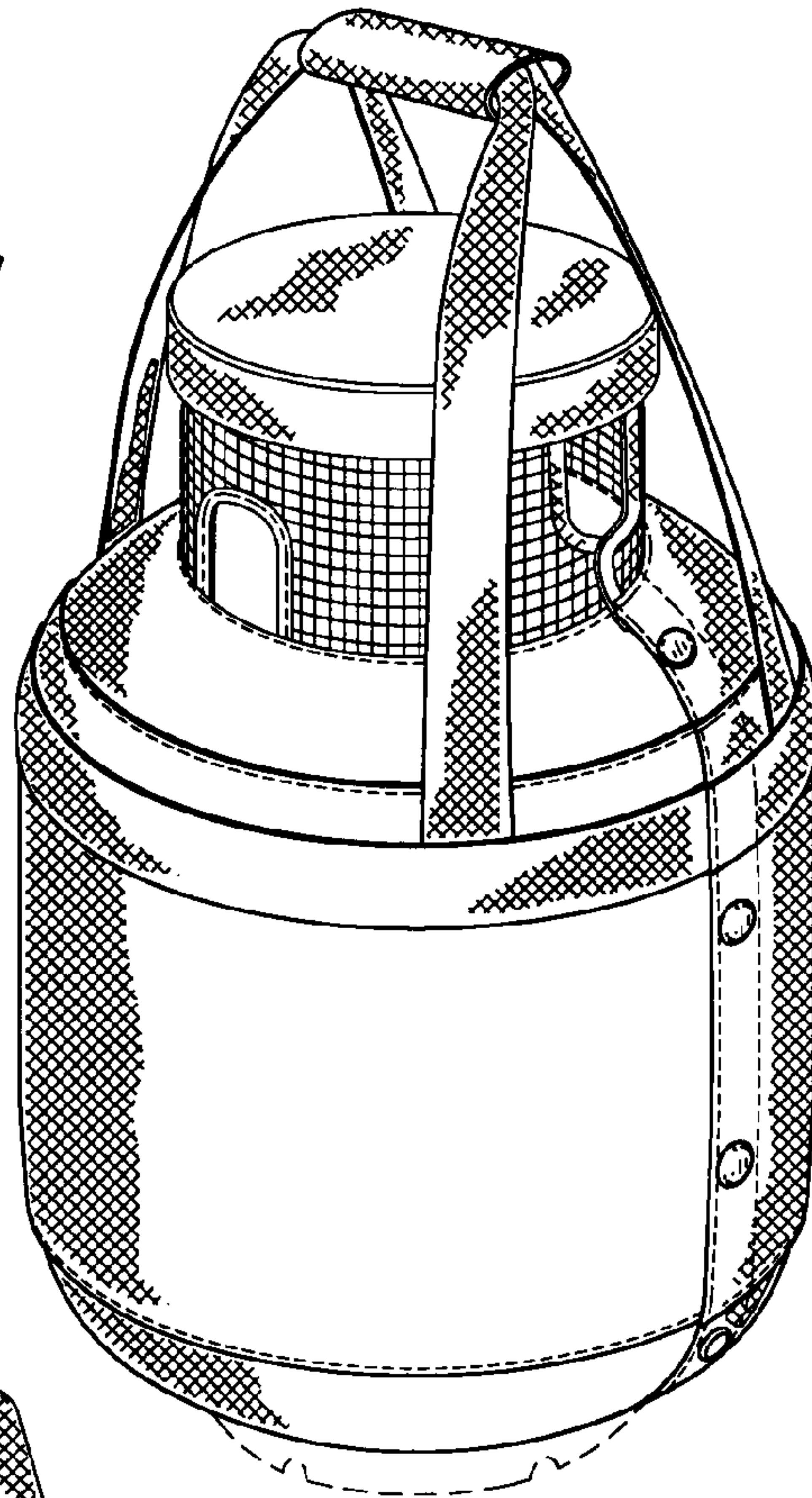


Fig. 2

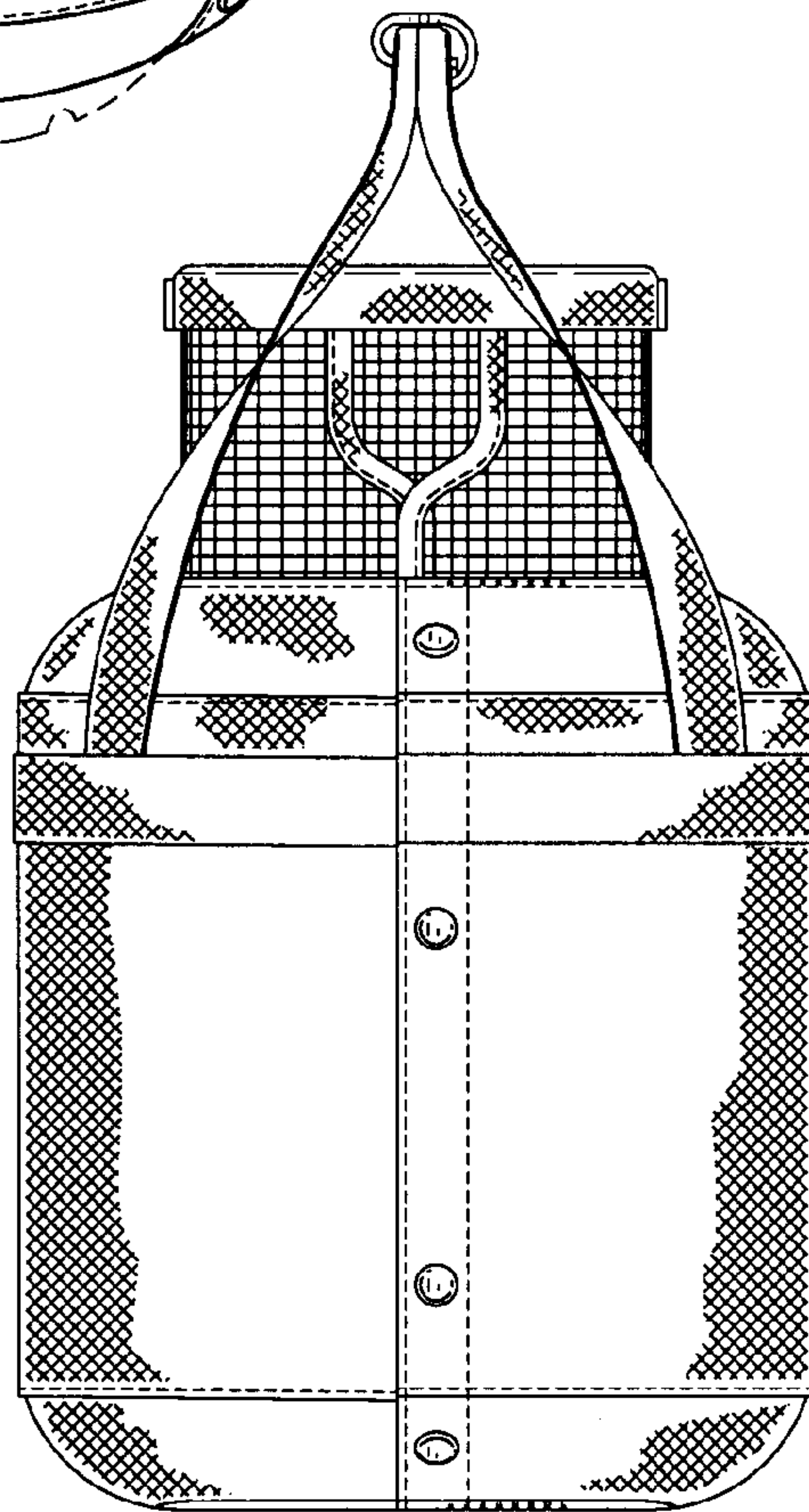


Fig. 3

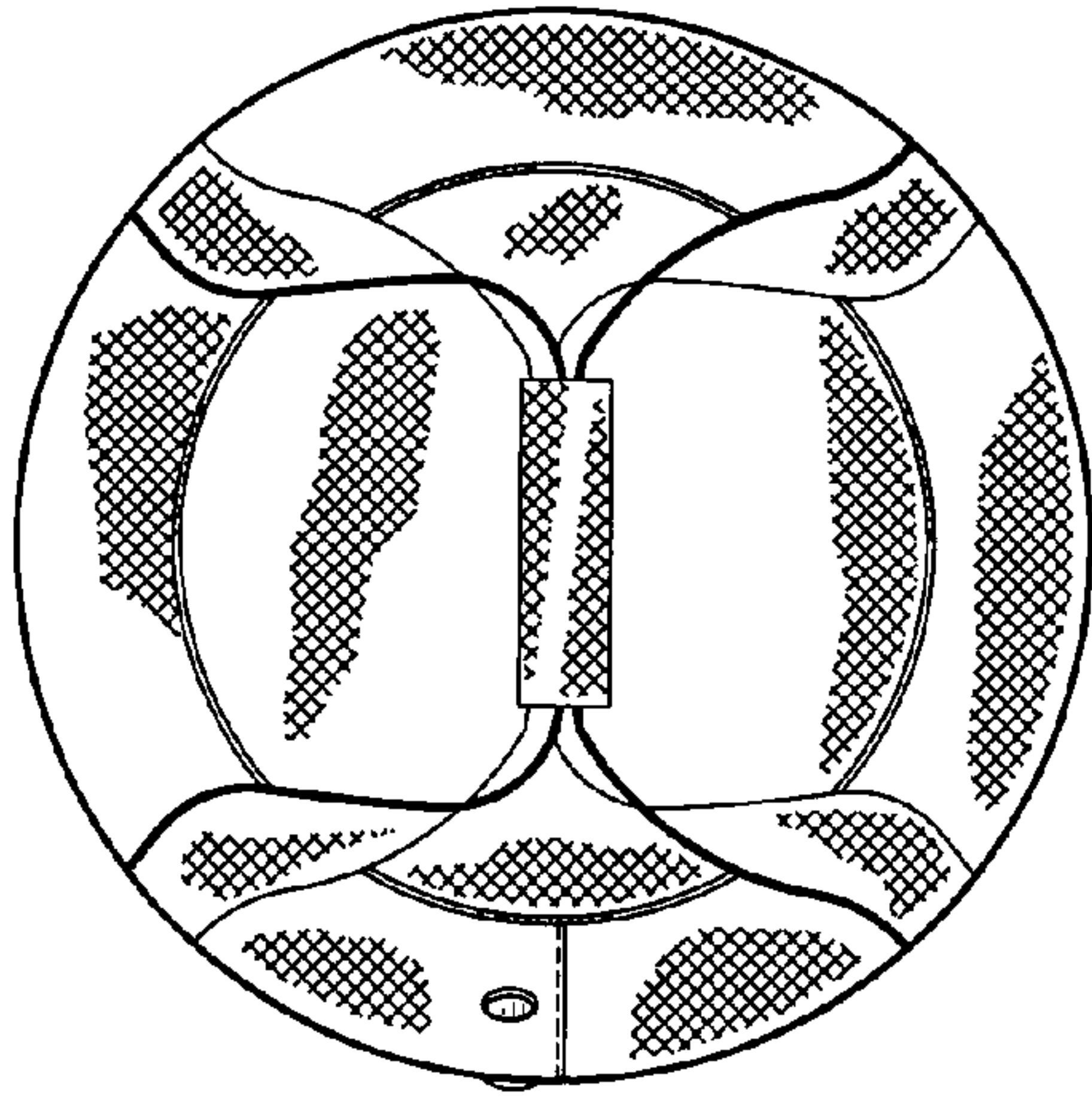


Fig. 4

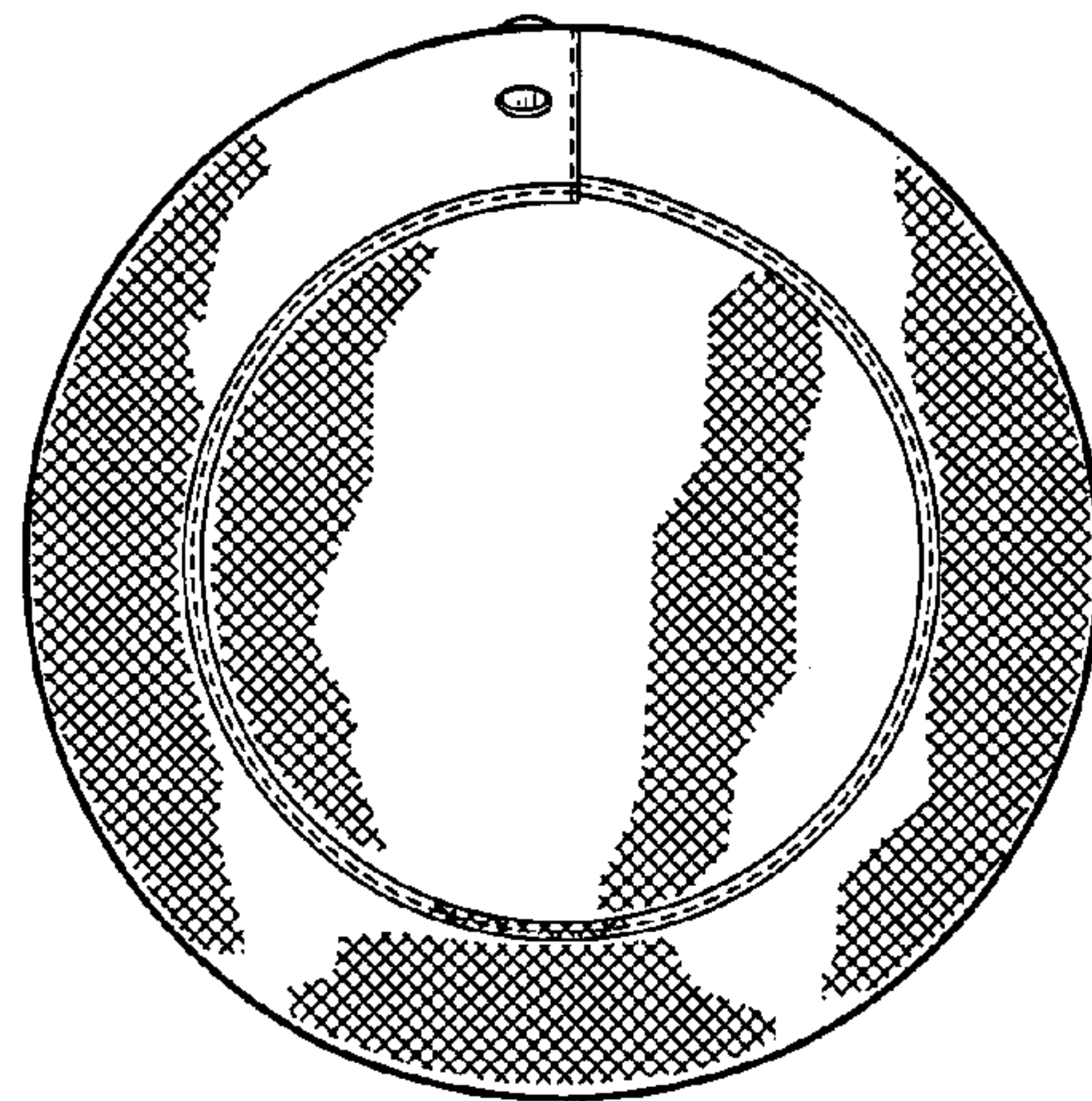


Fig. 5

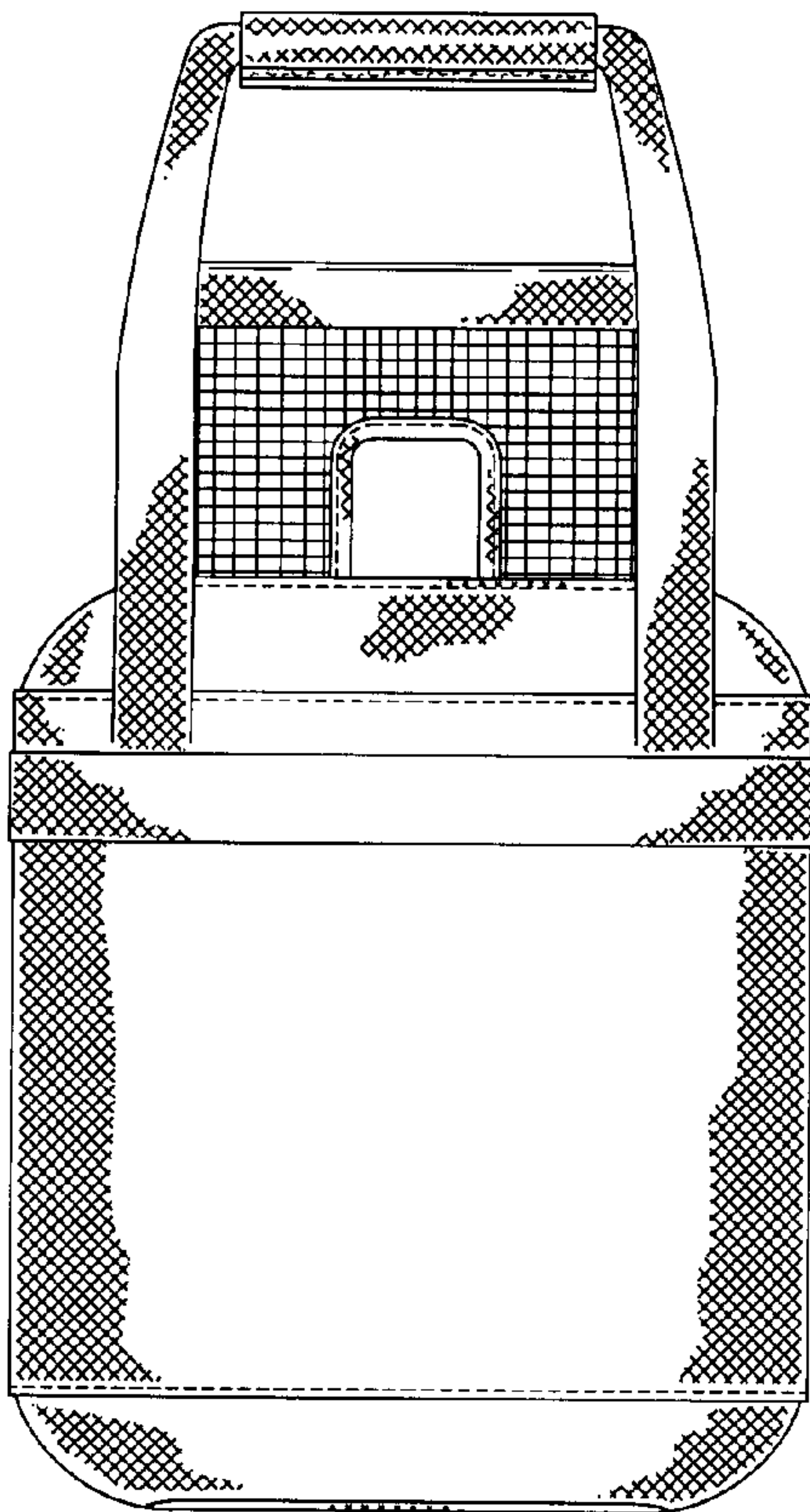


Fig. 6

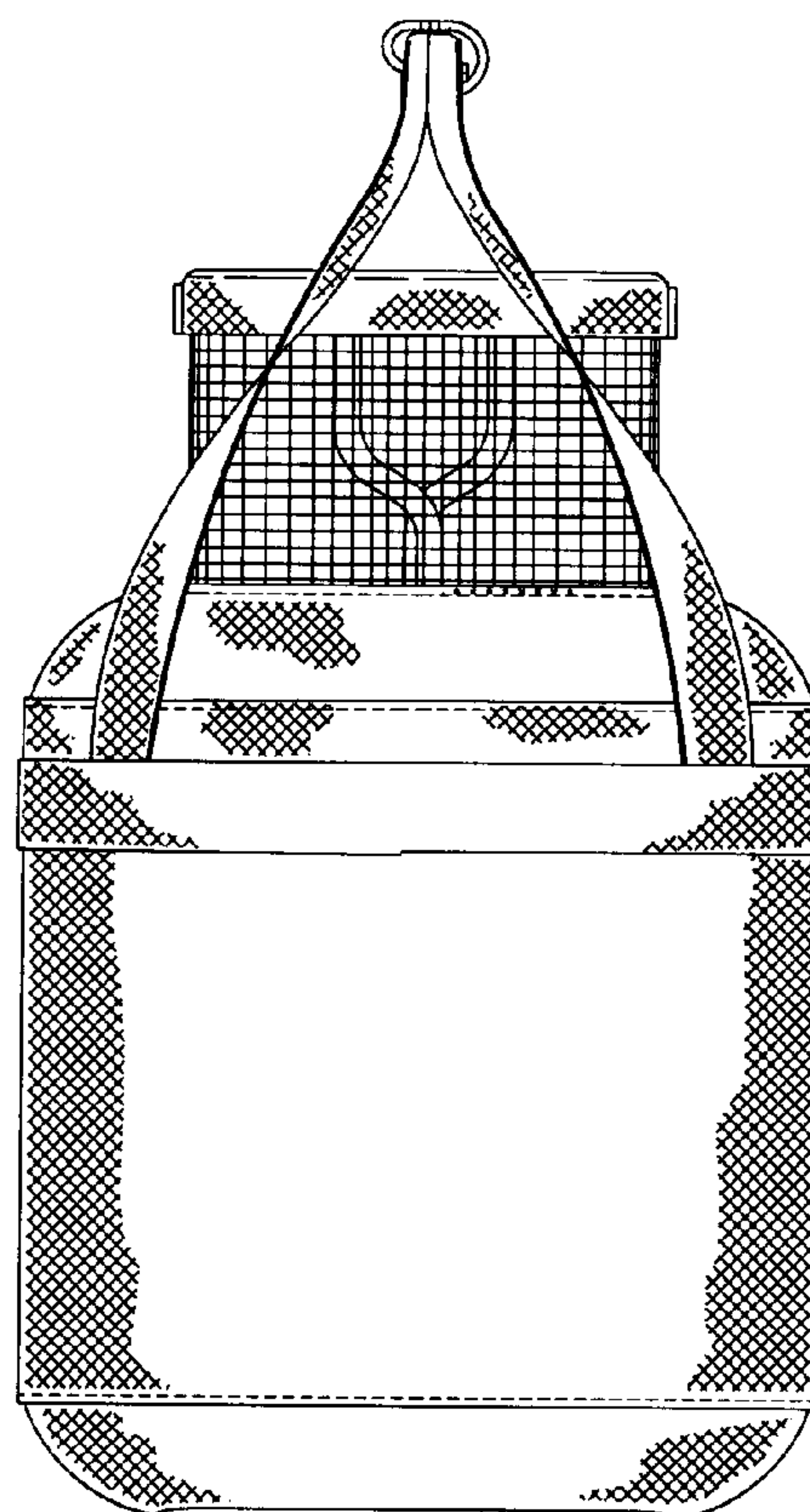


Fig. 7