



US00D525791S

(12) **United States Design Patent**  
**Chang**

(10) **Patent No.:** **US D525,791 S**

(45) **Date of Patent:** **\*\* Aug. 1, 2006**

(54) **TOOLS CASE**

(76) **Inventor:** **Chia-Ching Chang**, 4F, No. 12, Lane  
23, Sec. 2, Baofu Rd., Yonghe City,  
Taipei County 234 (TW)

(\*\*) **Term:** **14 Years**

(21) **Appl. No.:** **29/209,972**

(22) **Filed:** **Jul. 26, 2004**

(51) **LOC (8) Cl.** ..... **03-01**

(52) **U.S. Cl.** ..... **D3/315**

(58) **Field of Classification Search** ..... D3/905,  
D3/273, 276, 283, 281, 291, 274, 282, 294,  
D3/315; 190/110, 111, 100; 220/752, 324,  
220/326; 206/349, 372, 373; 312/902  
See application file for complete search history.

(56) **References Cited**

**U.S. PATENT DOCUMENTS**

5,730,303 A \* 3/1998 Chow ..... 211/70.6  
D412,245 S \* 7/1999 Kopala, Jr. .... D3/315  
D412,617 S \* 8/1999 Kopala, Jr. .... D3/315  
D433,613 S \* 11/2000 Jialin ..... D8/71  
D464,486 S \* 10/2002 Vasudeva ..... D3/315  
6,536,611 B1 \* 3/2003 Chen ..... 211/70.6

D472,389 S \* 4/2003 Vasudeva ..... D3/315  
6,637,606 B1 \* 10/2003 Chen ..... 211/70.6  
D481,543 S \* 11/2003 Chen ..... D3/315  
6,896,136 B1 \* 5/2005 Hu ..... 206/378

\* cited by examiner

*Primary Examiner*—Louis S. Zarfes

*Assistant Examiner*—Kathleen Sims

(74) *Attorney, Agent, or Firm*—Rosenberg, Klein & Lee

(57) **CLAIM**

The ornamental design for a tools case, as shown and described.

**DESCRIPTION**

FIG. 1 is a perspective view of a tools case, showing my new design;

FIG. 2 is a front elevational view thereof;

FIG. 3 is a rear elevational view thereof;

FIG. 4 is a top plane elevational view thereof;

FIG. 5 is a bottom plane elevational view thereof;

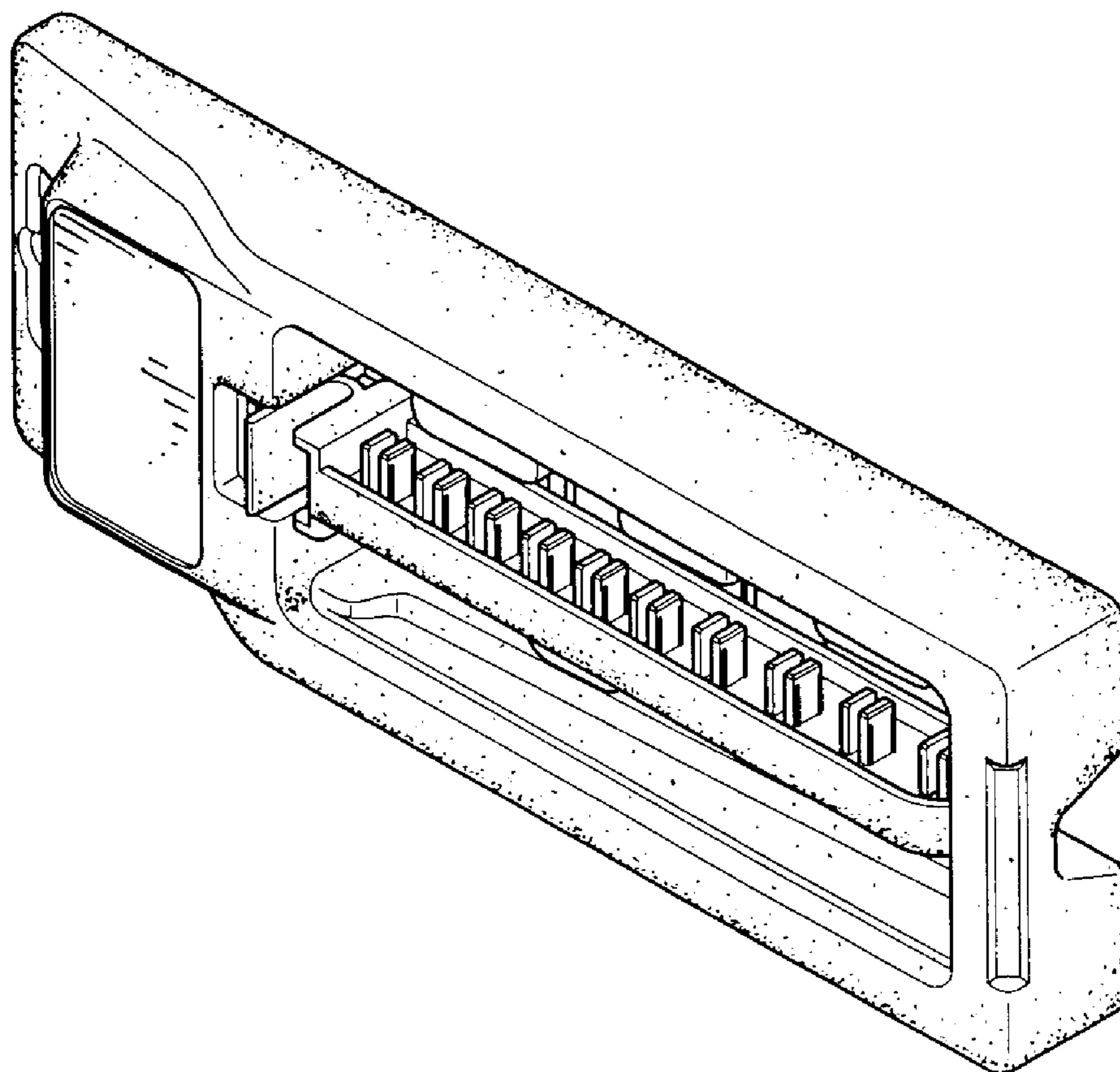
FIG. 6 is a left elevational view thereof;

FIG. 7 is a right elevational view thereof;

FIG. 8 is a in use state view thereof; and,

FIG. 9 is a in use state of opposite view thereof.

**1 Claim, 9 Drawing Sheets**



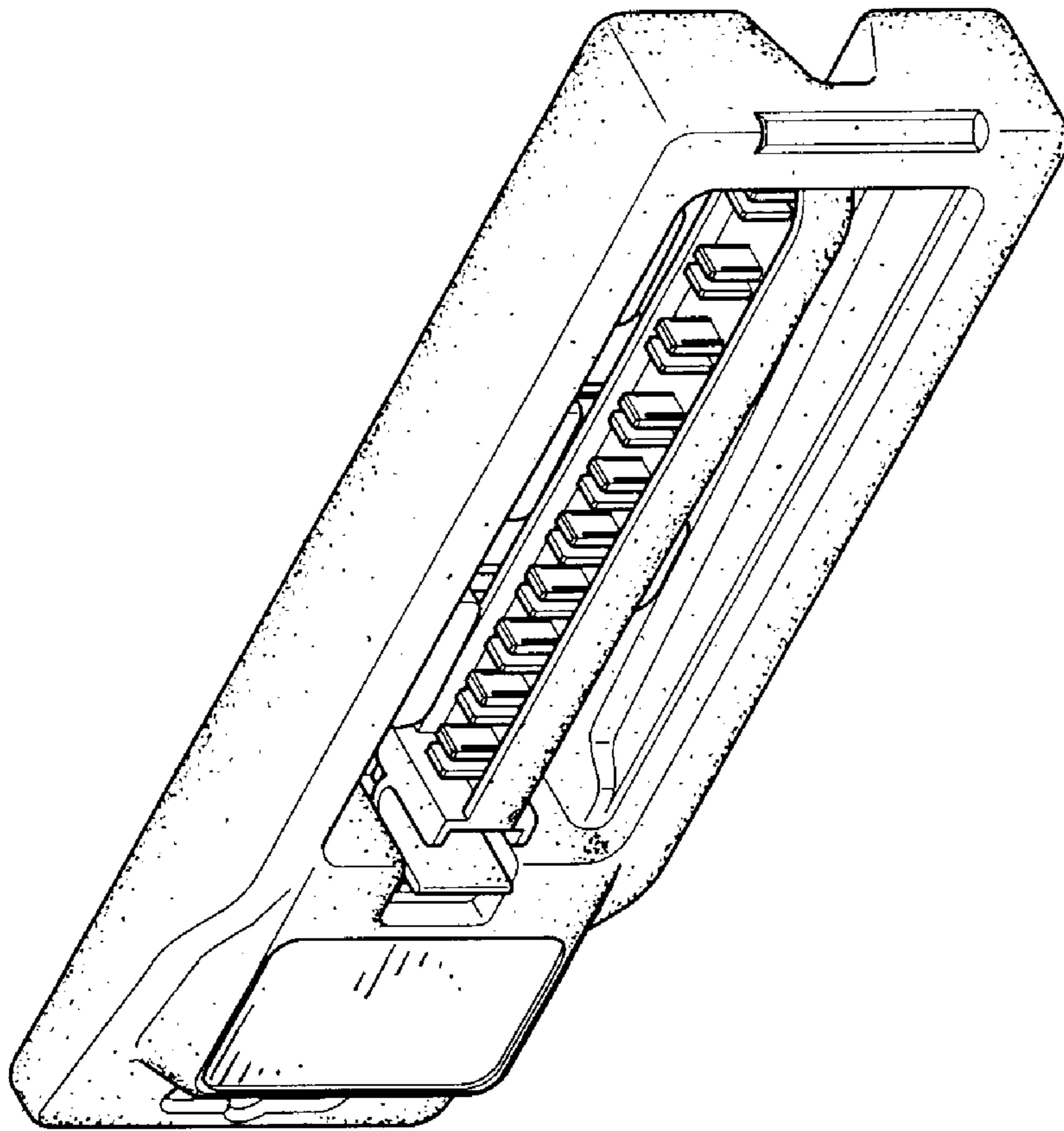


FIG. 1

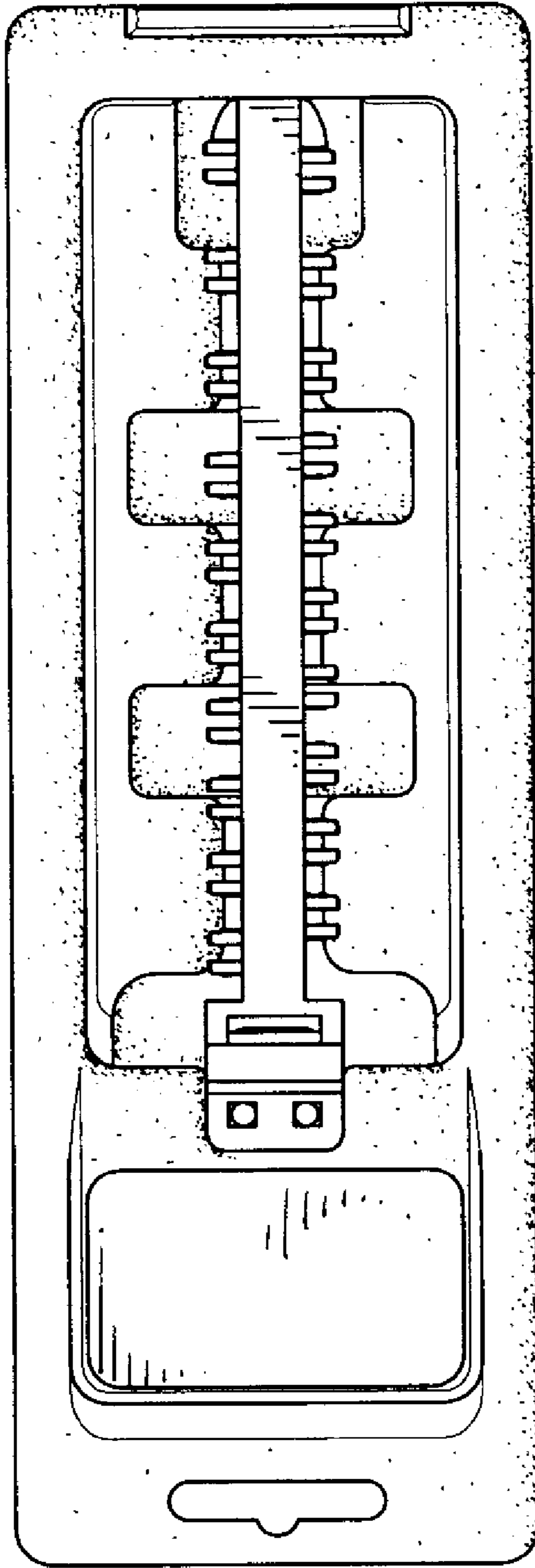


FIG. 2

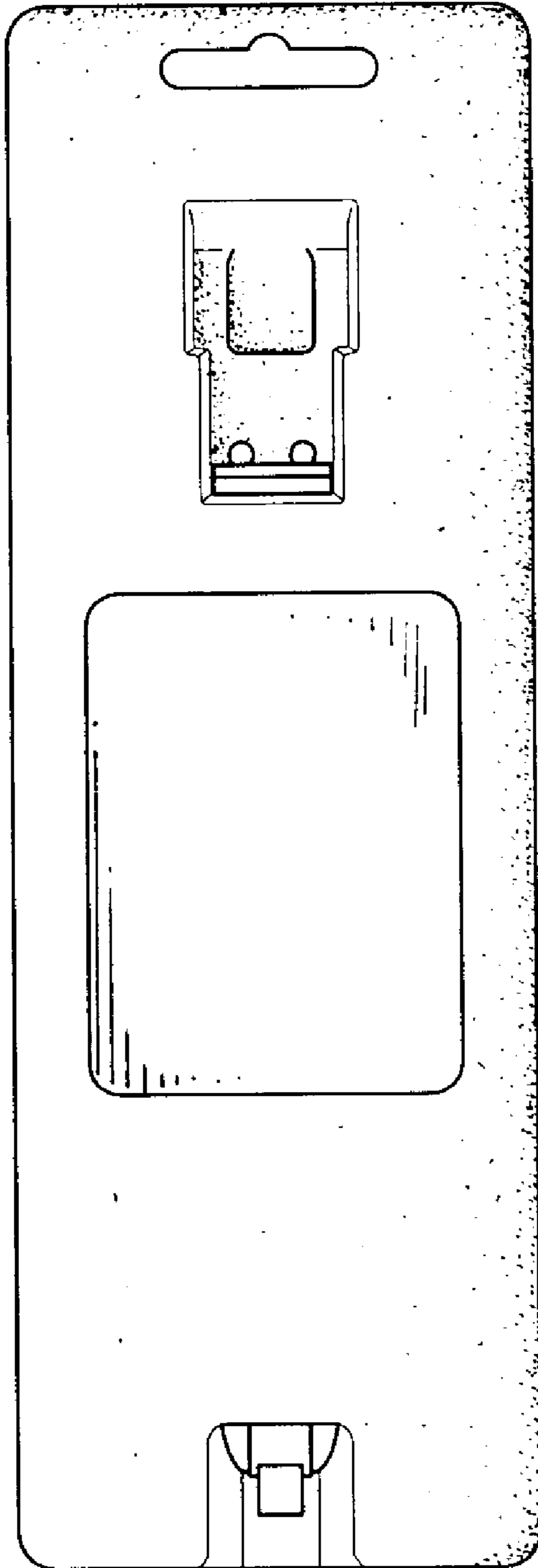


FIG. 3

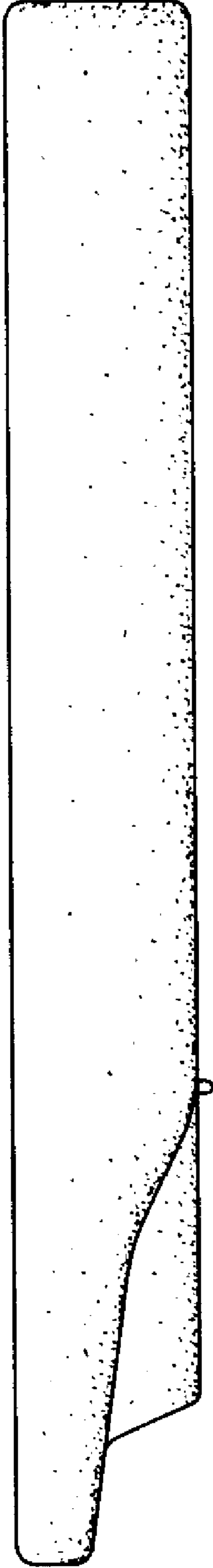


FIG. 4

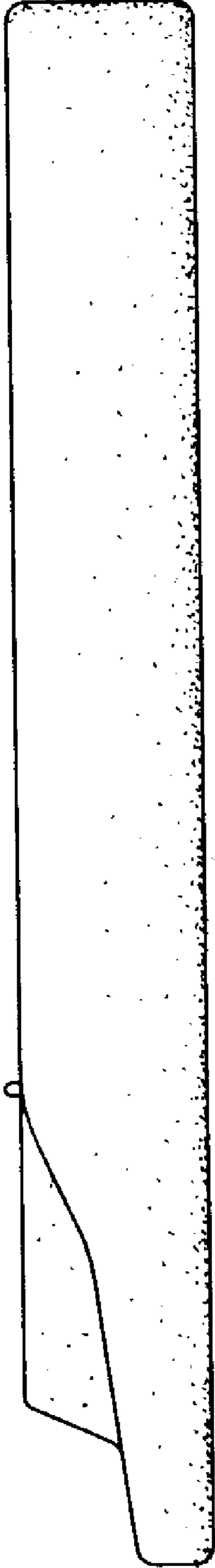


FIG. 5



FIG. 6

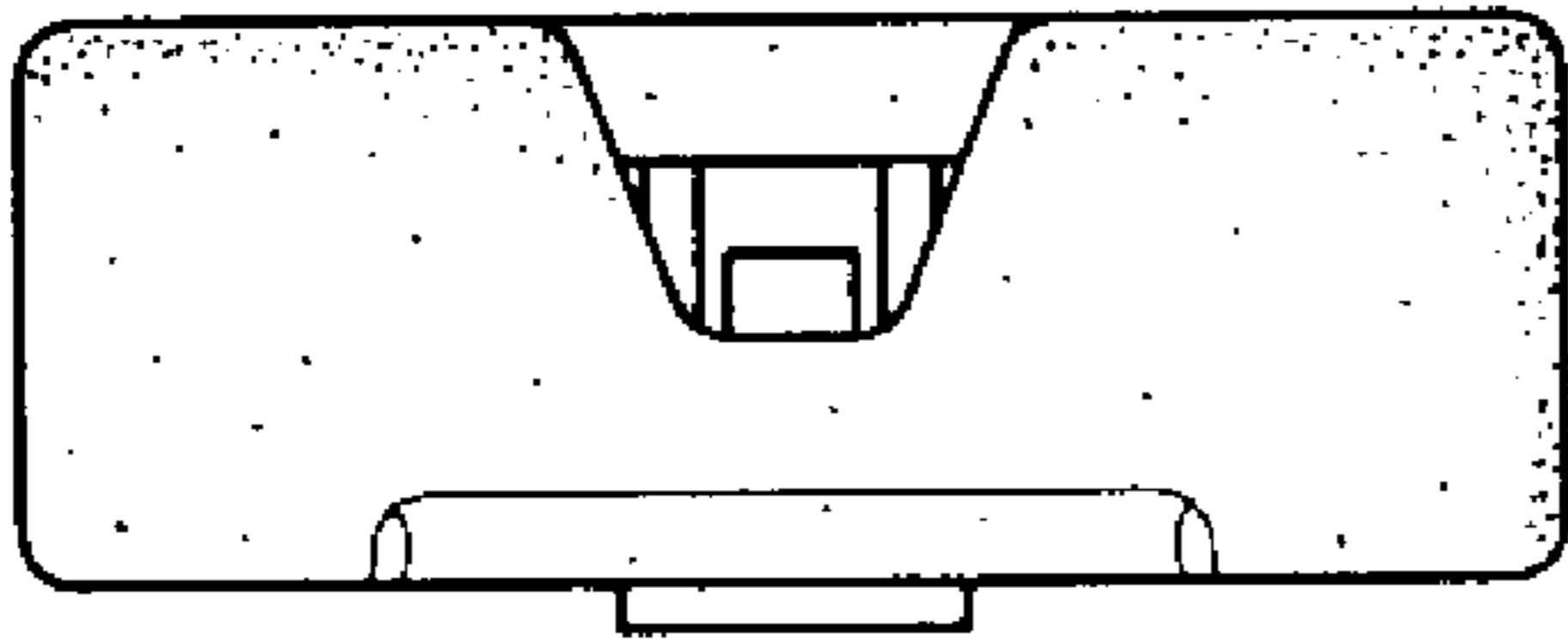


FIG. 7



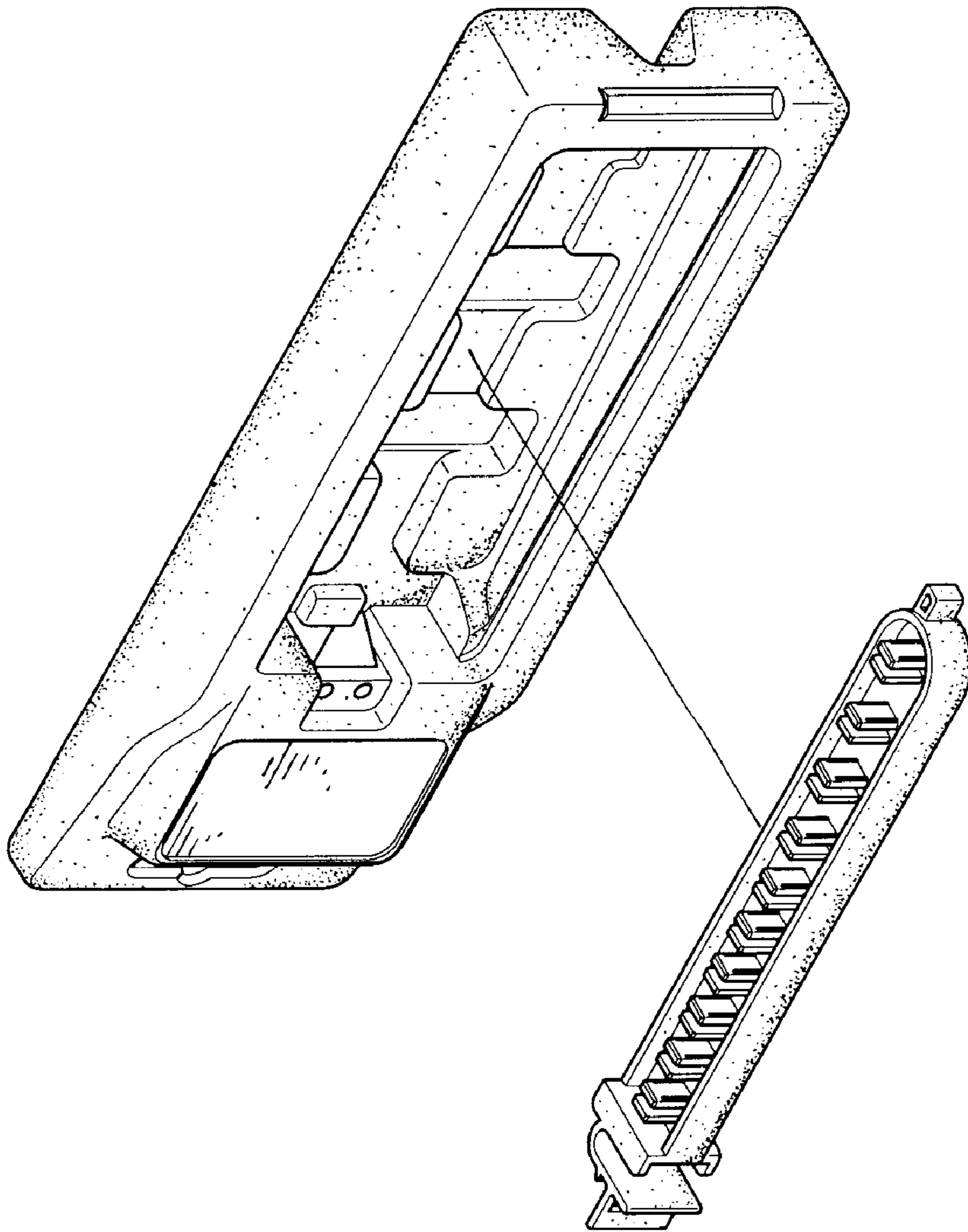


FIG. 8

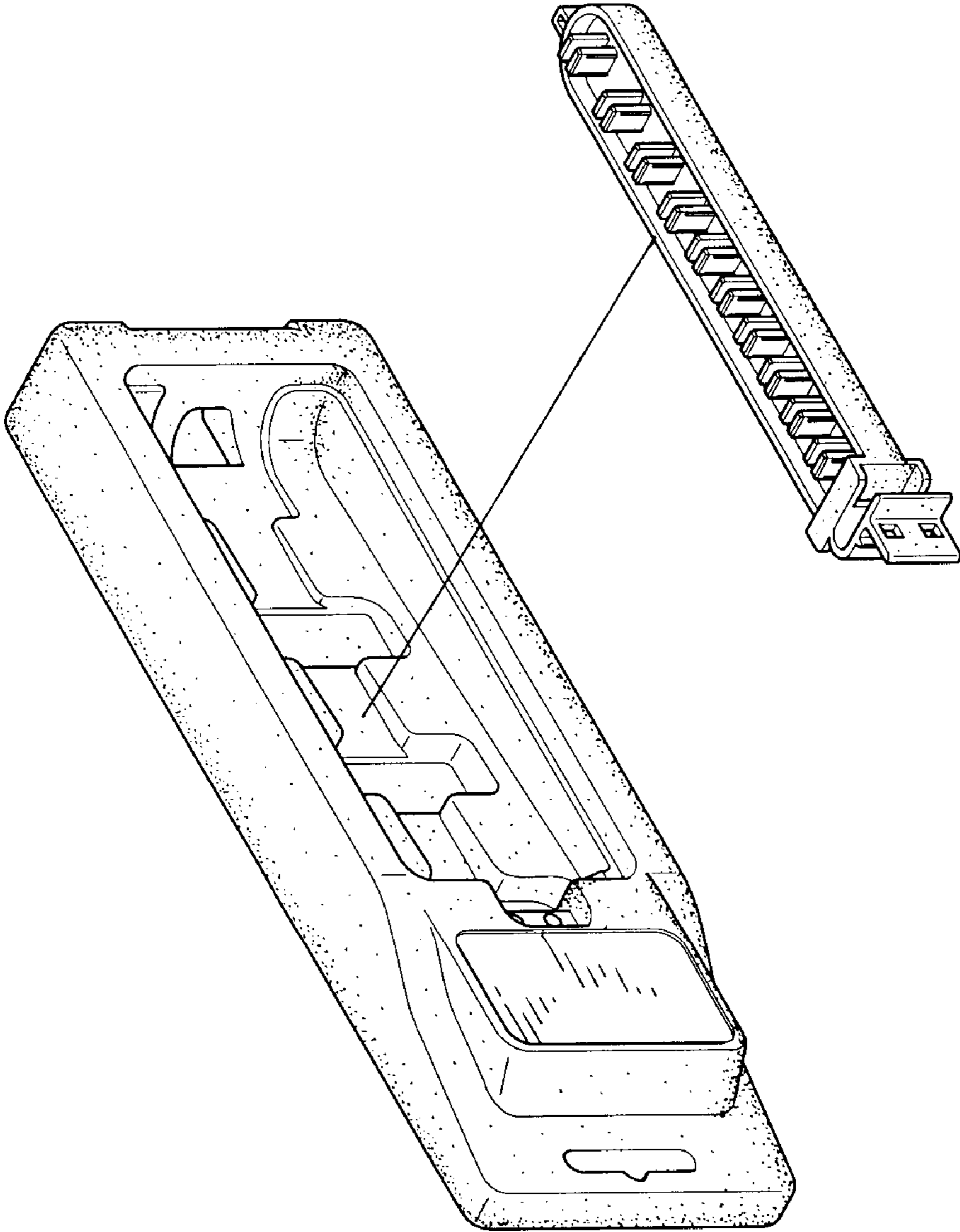


FIG. 9