



US00D525782S

(12) **United States Design Patent**
Lin

(10) **Patent No.:** **US D525,782 S**

(45) **Date of Patent:** **** Aug. 1, 2006**

(54) **ZIPPER PULL**

(76) **Inventor:** **Yu-Pau Lin**, No. 151, Kung Erh Road,
Wu Lin Tsuen, Lung Tan Hsiang, Tao
Yuan Hsien (TW)

(**) **Term:** **14 Years**

(21) **Appl. No.:** **29/224,359**

(22) **Filed:** **Mar. 2, 2005**

(51) **LOC (8) Cl.** **02-07**

(52) **U.S. Cl.** **D3/221**

(58) **Field of Classification Search** D11/200,
D11/201, 221; 24/415-417, 419, 421, 427-431,
24/381-382, 385, 387, 433; 384/64
See application file for complete search history.

(56) **References Cited**

U.S. PATENT DOCUMENTS

D262,665 S * 1/1982 Brinley D11/221
D374,845 S * 10/1996 Ikehara D11/221

D471,488 S * 3/2003 Nykoluk D11/221
D500,966 S * 1/2005 Mullins D11/221
D514,022 S * 1/2006 Wehmeyer et al. D11/221

* cited by examiner

Primary Examiner—Ralf Seifert

(74) *Attorney, Agent, or Firm*—Rosenberg, Klein & Lee

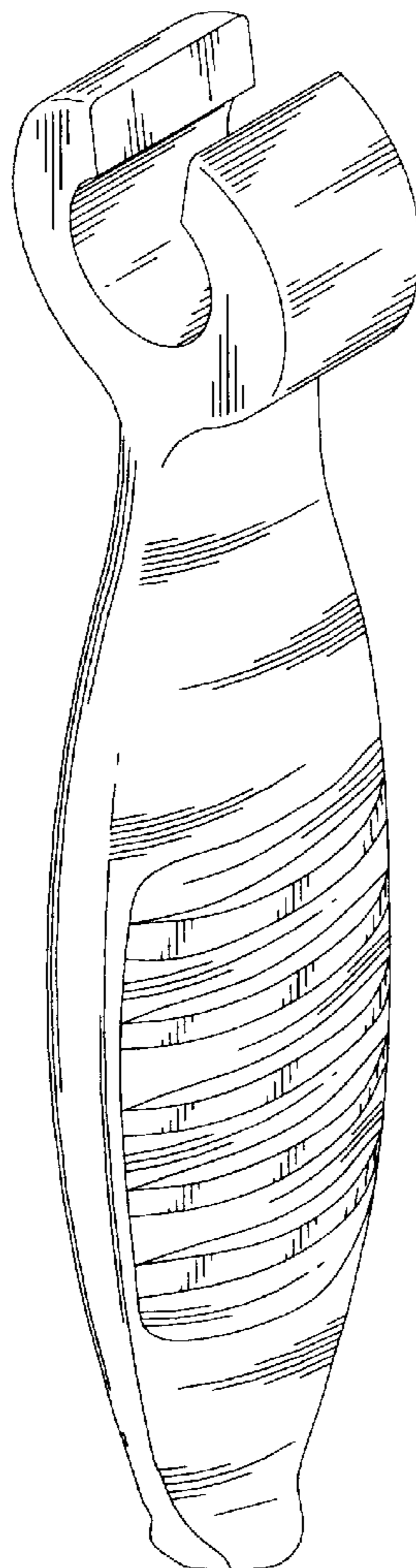
(57) **CLAIM**

The ornamental design for a “zipper pull,” as shown and described.

DESCRIPTION

FIG. 1 is a perspective view of a “zipper pull” showing my new design;
FIG. 2 is a front view thereof;
FIG. 3 is a rear view thereof;
FIG. 4 is a left side view thereof;
FIG. 5 is a right side view thereof;
FIG. 6 is a top view thereof; and,
FIG. 7 is a bottom view thereof.

1 Claim, 4 Drawing Sheets



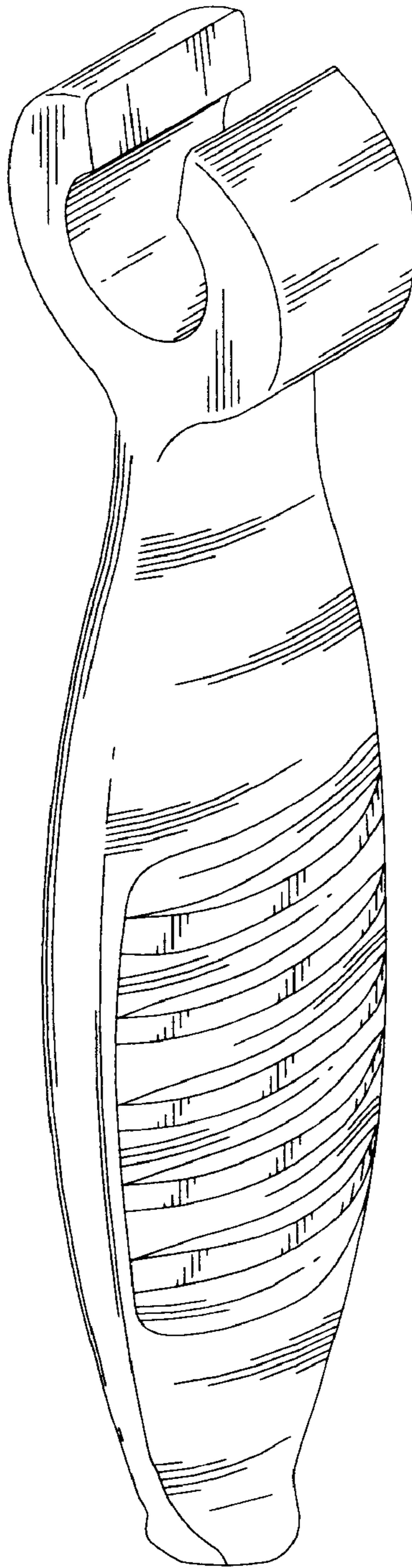


FIG 1

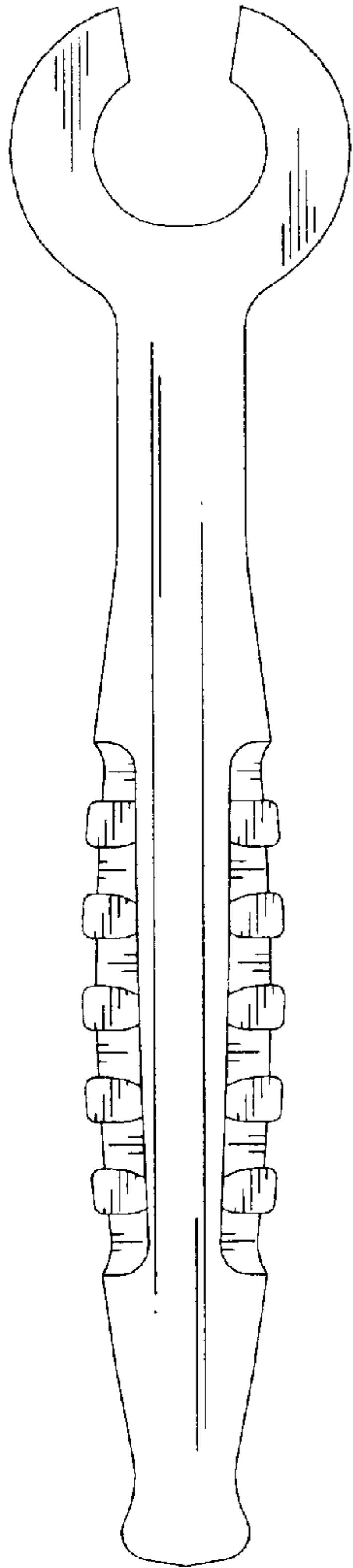


FIG 2

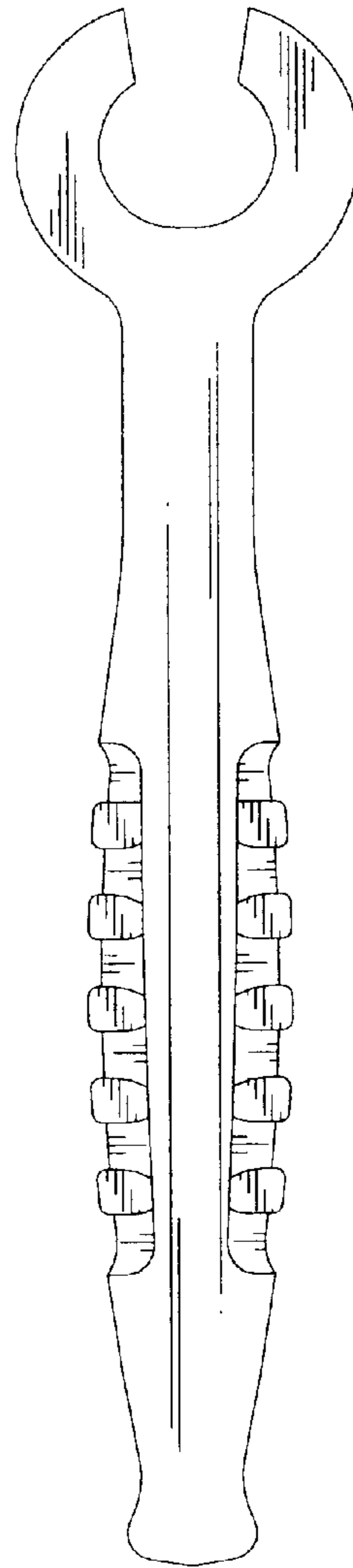


FIG 3

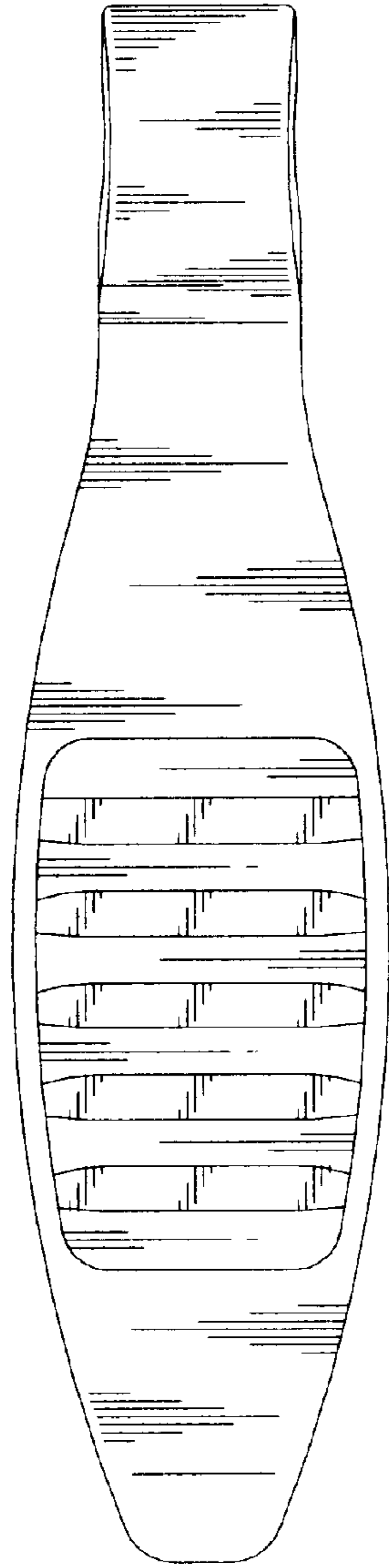


FIG 4

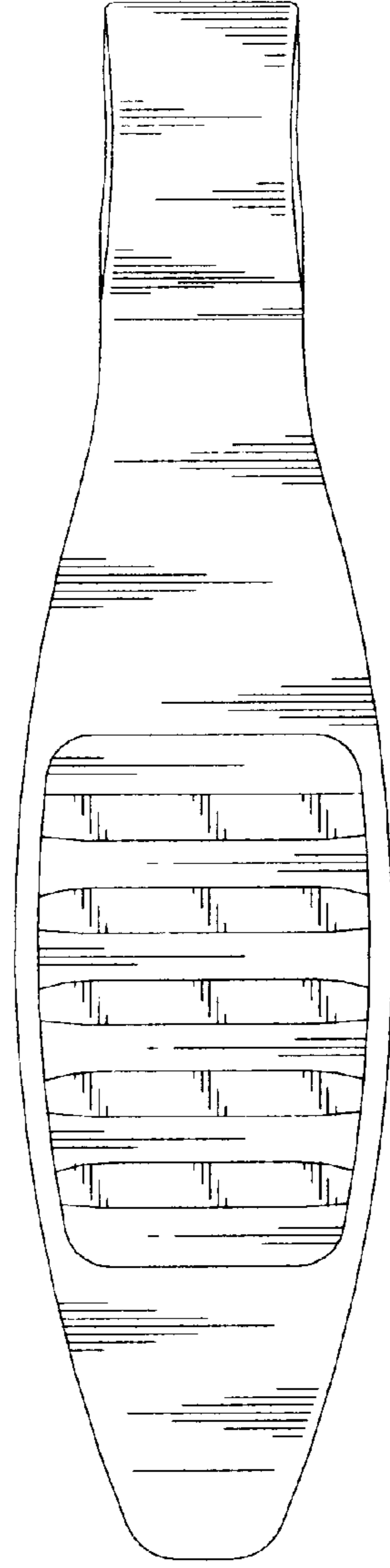


FIG 5

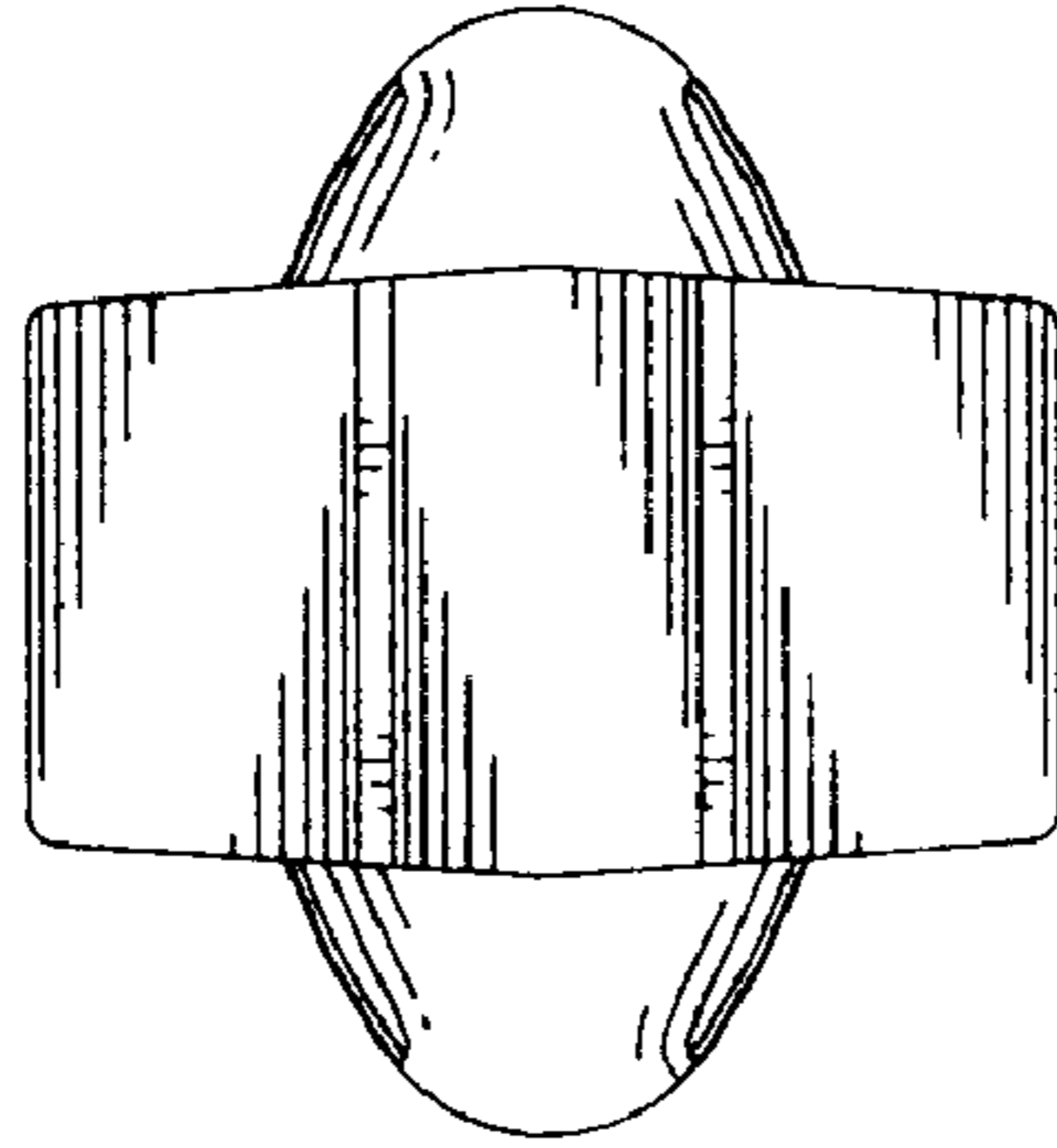


FIG 6

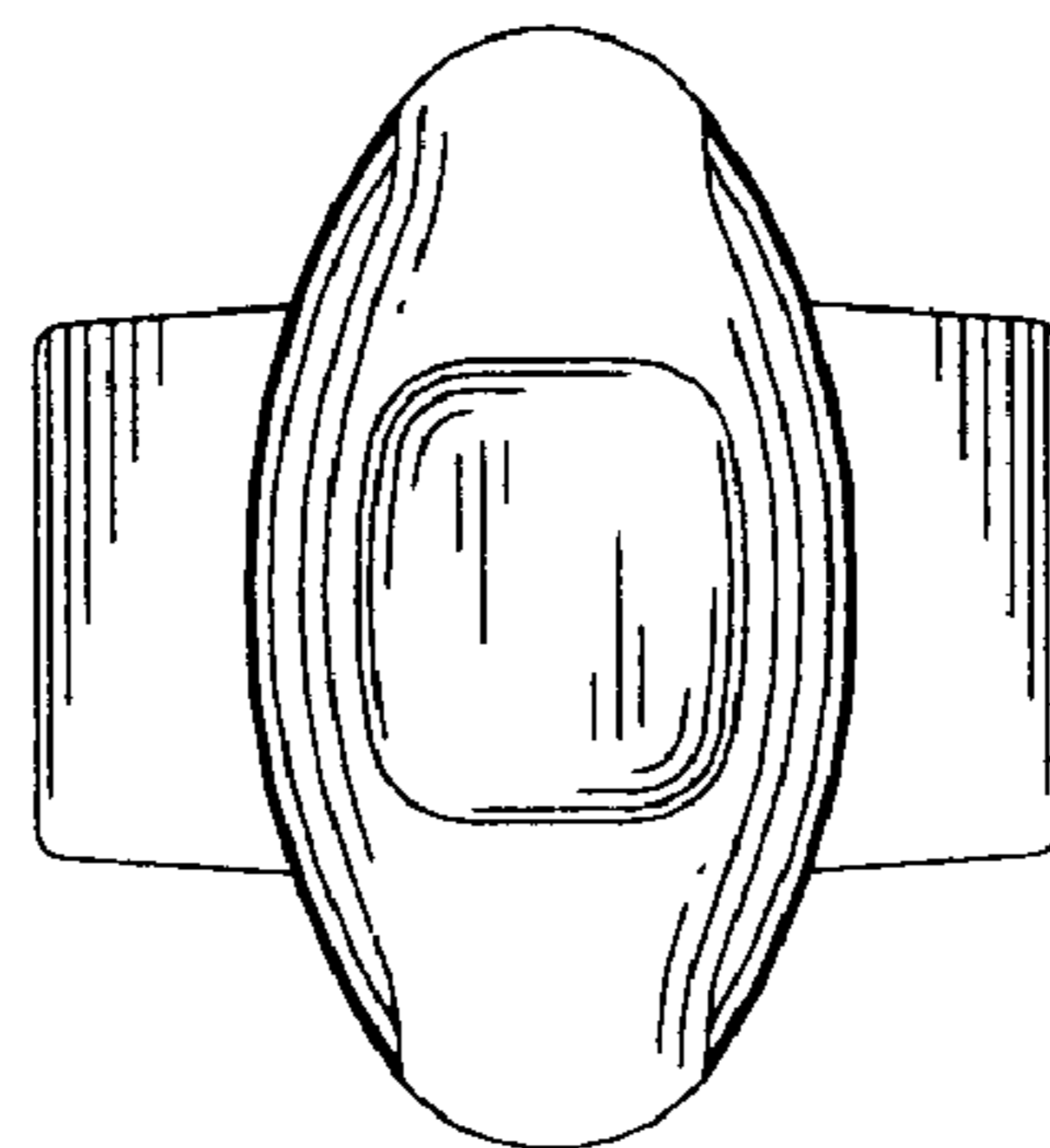


FIG 7