



US00D525763S

(12) **United States Design Patent**
Mihalos et al.

(10) **Patent No.:** **US D525,763 S**

(45) **Date of Patent:** **** Aug. 1, 2006**

(54) **SANDWICH COOKIE**

(75) Inventors: **Mihaelos Nicholas Mihalos**, Palisades Park, NJ (US); **Theodore Nicholas Janulis**, Randolph, NJ (US); **Chris E. Robinson**, Sparta, NJ (US); **Carol Wines**, Longmont, CO (US)

(73) Assignee: **Kraft Foods Holdings, Inc.**, Northfield, IL (US)

(**) Term: **14 Years**

(21) Appl. No.: **29/212,413**

(22) Filed: **Sep. 1, 2004**

(51) **LOC (8) Cl.** **01-01**

(52) **U.S. Cl.** **D1/128; D1/129; D1/130**

(58) **Field of Classification Search** D1/100-1,
D1/120, 128-30, 199; 249/122; 426/94-5,
426/89, 138-9, 496

See application file for complete search history.

(56) **References Cited**

U.S. PATENT DOCUMENTS

D23,574 S	*	8/1894	Ward	D1/129
D28,455 S	*	4/1898	Baker	D15/144
1,802,306 A	*	4/1931	Baker	426/95
1,869,464 A	*	8/1932	Clark	426/95

(Continued)

OTHER PUBLICATIONS

Food and Wine, Mar. 1985, p. 52.*

Practical Baking: Fifth Edition, by William J. Sultan, Ban Nostrand Reinhold, NY, © 1990, p. 444.*

(Continued)

Primary Examiner—Robin Webster

Assistant Examiner—Karen E. Patterson

(74) *Attorney, Agent, or Firm*—Hollander Law Firm, P.L.L.C.

(57) **CLAIM**

The ornamental design for a sandwich cookie, as shown and described.

DESCRIPTION

FIG. 1 is a top perspective view of a sandwich cookie having dissimilar base cakes showing our new design.

FIG. 2 is a top plan view thereof.

FIG. 3 is a front elevational view thereof, the rear elevational view, the right side elevational view, and the left side elevational view thereof being identical thereto.

FIG. 4 is a bottom plan view thereof.

FIG. 5 is a top perspective view of a coated sandwich cookie of FIG. 1.

FIG. 6 is a top plan view of the coated sandwich cookie of FIG. 5.

FIG. 7 is a front elevational view of the coated sandwich cookie of FIG. 5, the rear elevational view, the right side elevational view, and the left side elevational view thereof being identical thereto.

FIG. 8 is a bottom plan view of the coated sandwich cookie of FIG. 5.

FIG. 9 is a top perspective view of a sandwich cookie having dissimilar base cakes and exposed filler creme.

FIG. 10 is a top plan view of the sandwich cookie of FIG. 9.

FIG. 11 is a front elevational view of the sandwich cookie of FIG. 9, the rear elevational view, the right side elevational view, and the left side elevational view thereof being identical thereto.

FIG. 12 is a bottom plan view of the sandwich cookie of FIG. 9.

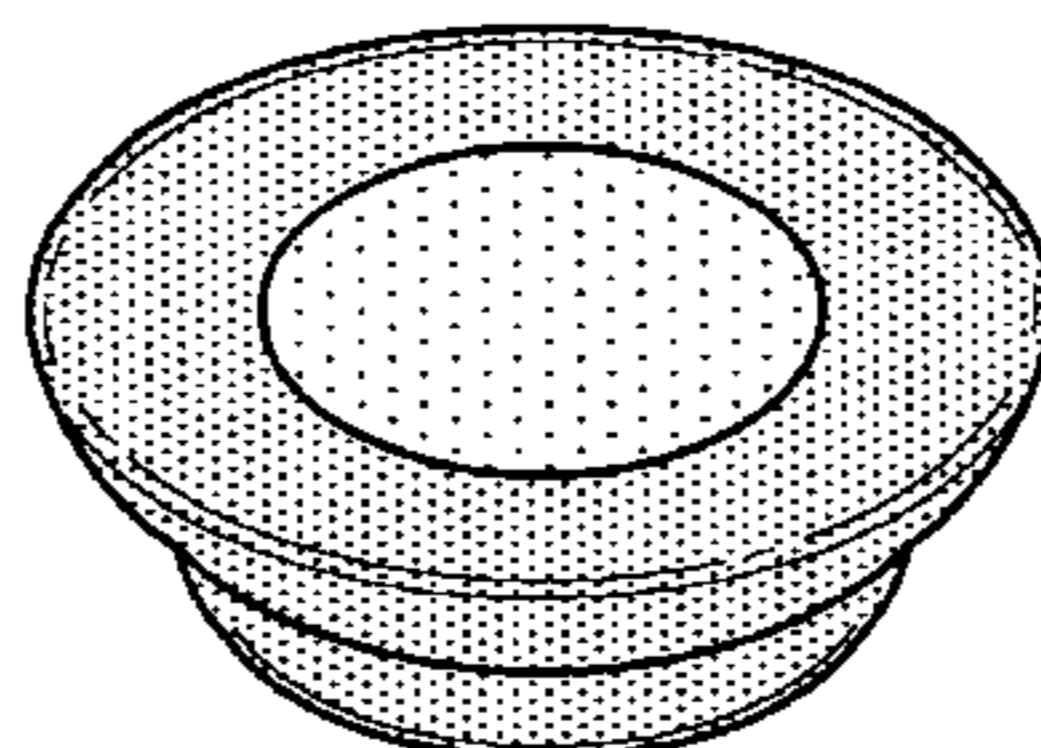
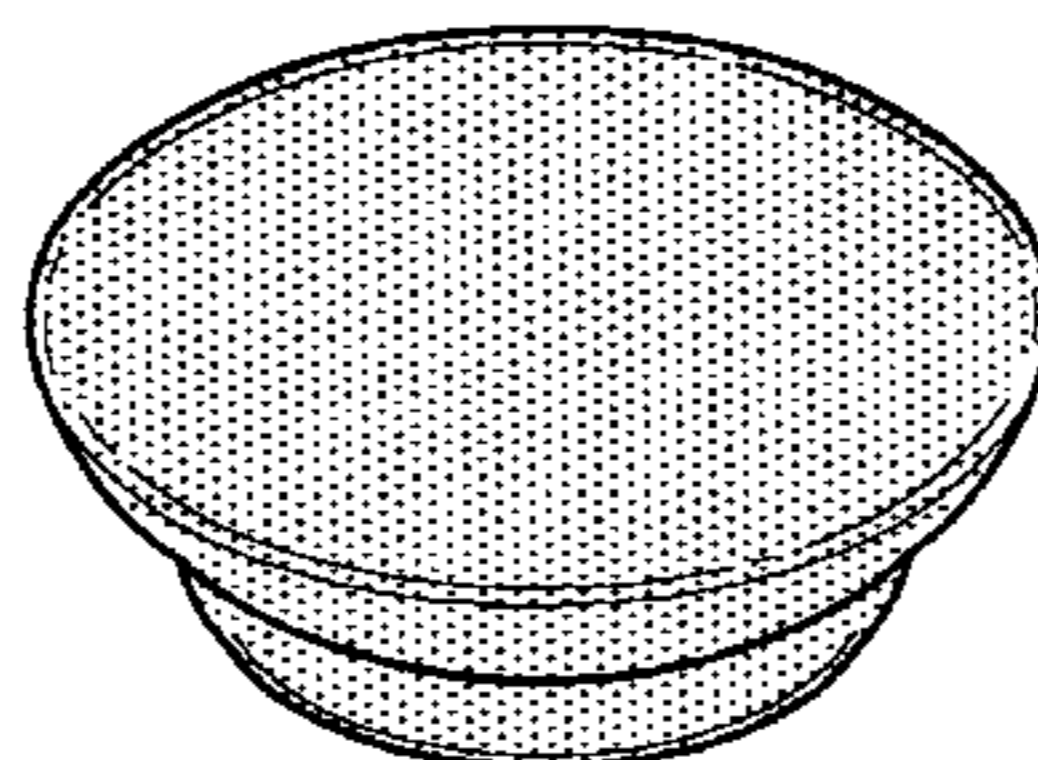
FIG. 13 is a top perspective view of a coated sandwich cookie of FIG. 9.

FIG. 14 is a top plan view of the coated sandwich cookie of FIG. 13.

FIG. 15 is a front elevational view of the coated sandwich cookie of FIG. 13, the rear elevational view, the right side elevational view, and the left side elevational view thereof being identical thereto; and,

FIG. 16 is a bottom plan view of the coated sandwich cookie of FIG. 13.

1 Claim, 4 Drawing Sheets



U.S. PATENT DOCUMENTS

2,691,337 A * 10/1954 Forrest 425/470
D213,490 S * 3/1969 Hoover D1/128
D277,804 S * 3/1985 Chisholm D1/101
4,622,891 A 11/1986 Cramer et al.
4,812,323 A 3/1989 Savage
D309,366 S 7/1990 Concepcion et al.
D312,914 S * 12/1990 Daldrup D1/122
D315,241 S * 3/1991 Constance D1/128
5,091,198 A * 2/1992 Hoashi 426/92
5,630,496 A 5/1997 Mims
D387,537 S * 12/1997 Fosher D1/128
6,193,105 B1 2/2001 Ream et al.
D448,812 S * 10/2001 Vong et al. D21/386
D469,239 S * 1/2003 Hodgdon D1/130
6,759,079 B1 7/2004 Klug et al.

2001/0024670 A1 9/2001 Gehan et al.

OTHER PUBLICATIONS

U.S. Appl. No. 10/931,380, filed Sep. 1, 2004, Mihalos et al.
Invenys™ APV® Baker High Speed Creamers, *The APV Baker High Speed Creamer for Continuous And Efficient Oepration*, APV Baker, Grand Rapids, MI, undated.
Invenys™ APV® Baker Pile Pack Creamer, *The Creamer That stacks as it creams as it feeds*, APV Baker, Grand Rapids, MI, undated.
Copy of package wrapper of “Reese’s® White Chocolate Peanut Butter cups Limited Edition” Miniatures, H.B. Reese Candy Co., Hershey, Pa, undated.

* cited by examiner

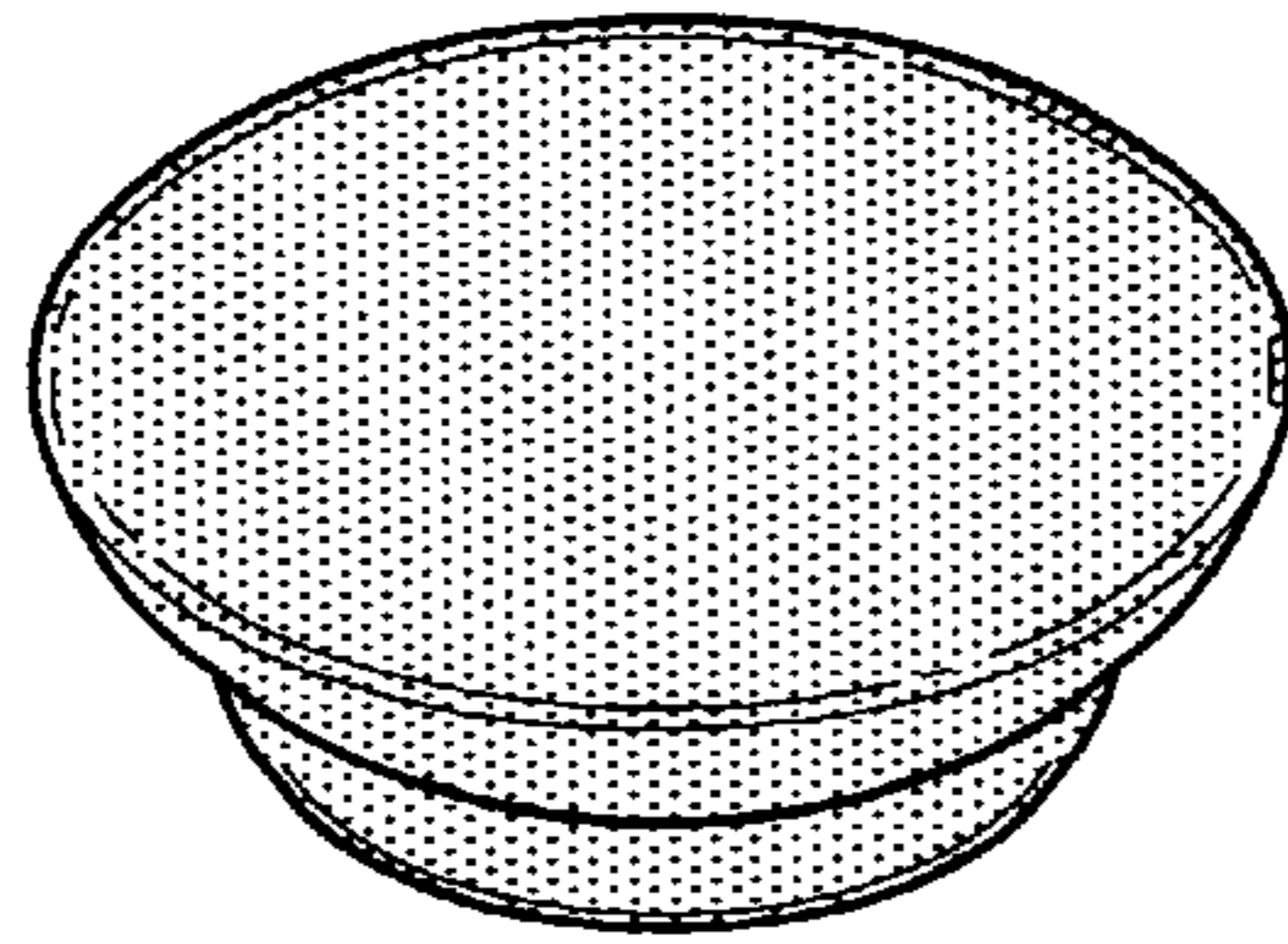


FIG. 1

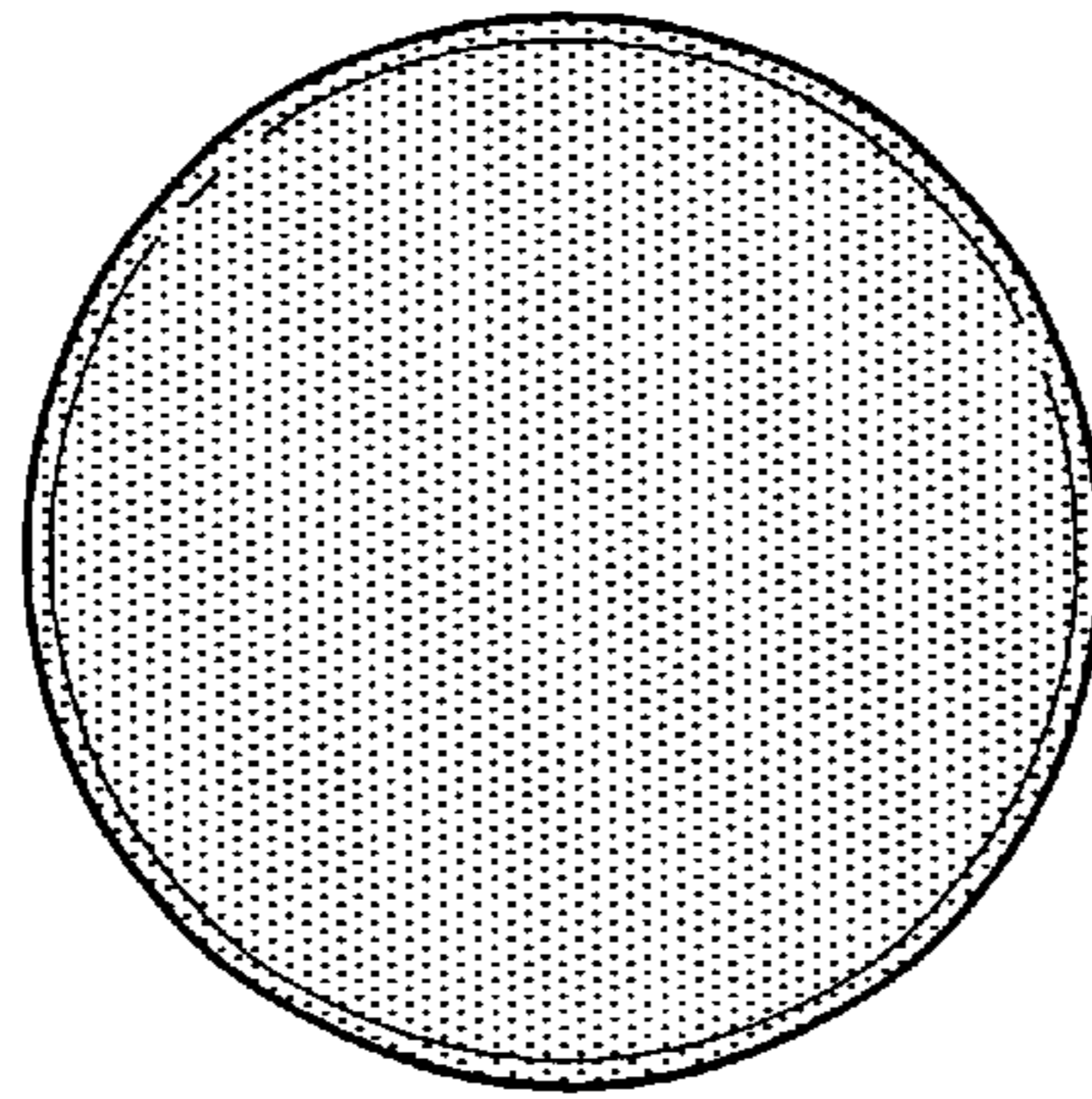


FIG. 2

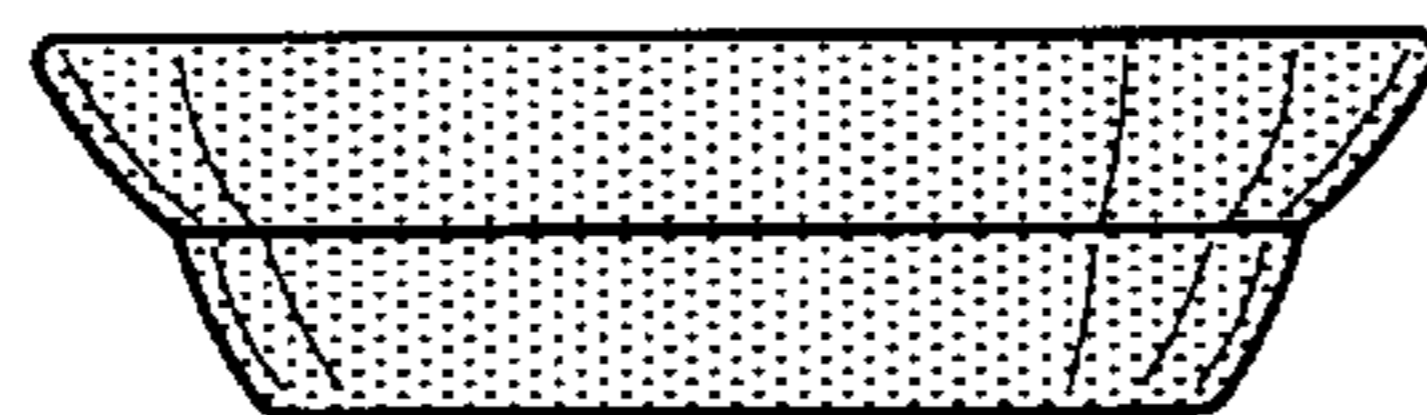


FIG. 3

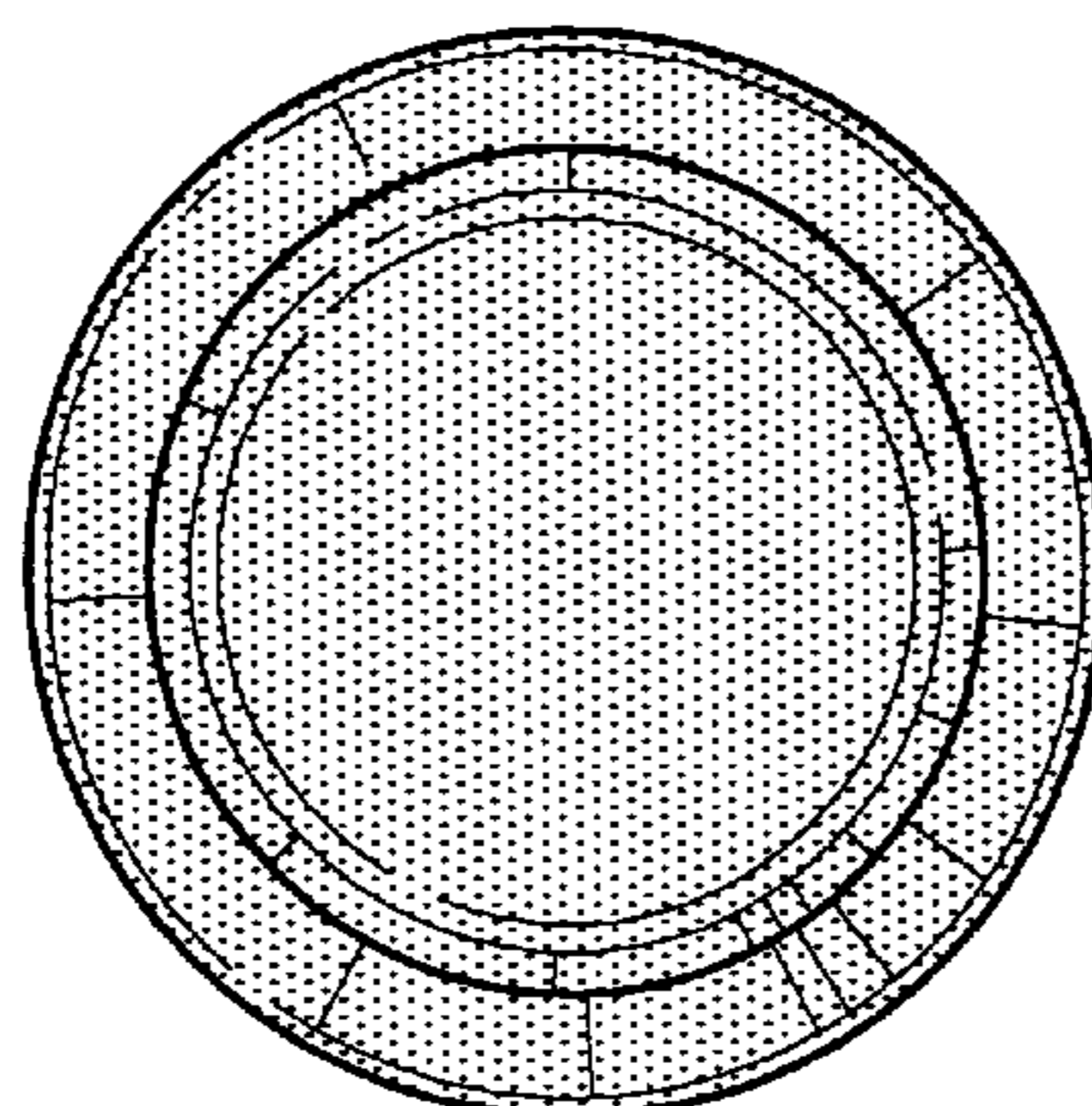


FIG. 4

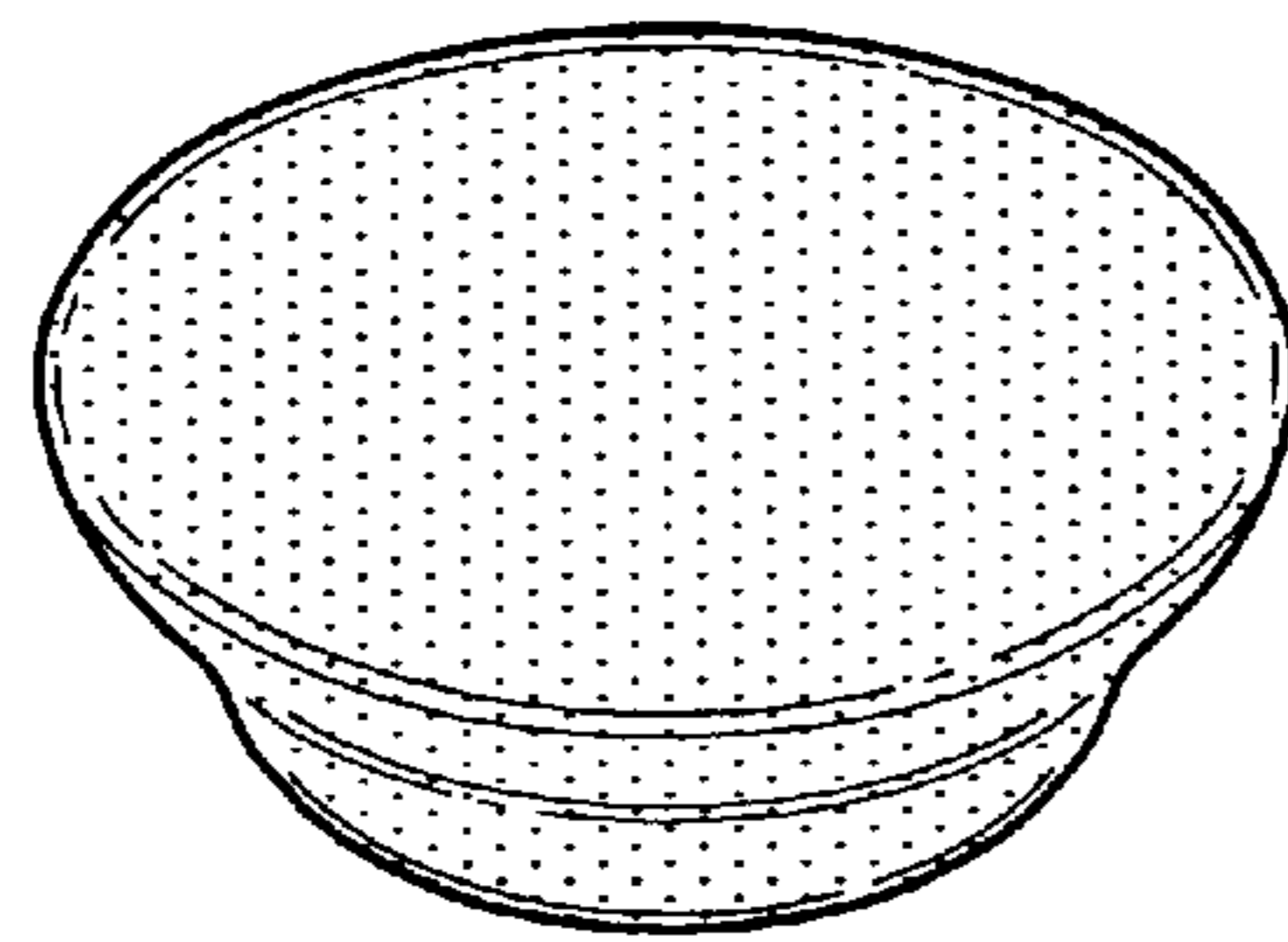


FIG. 5

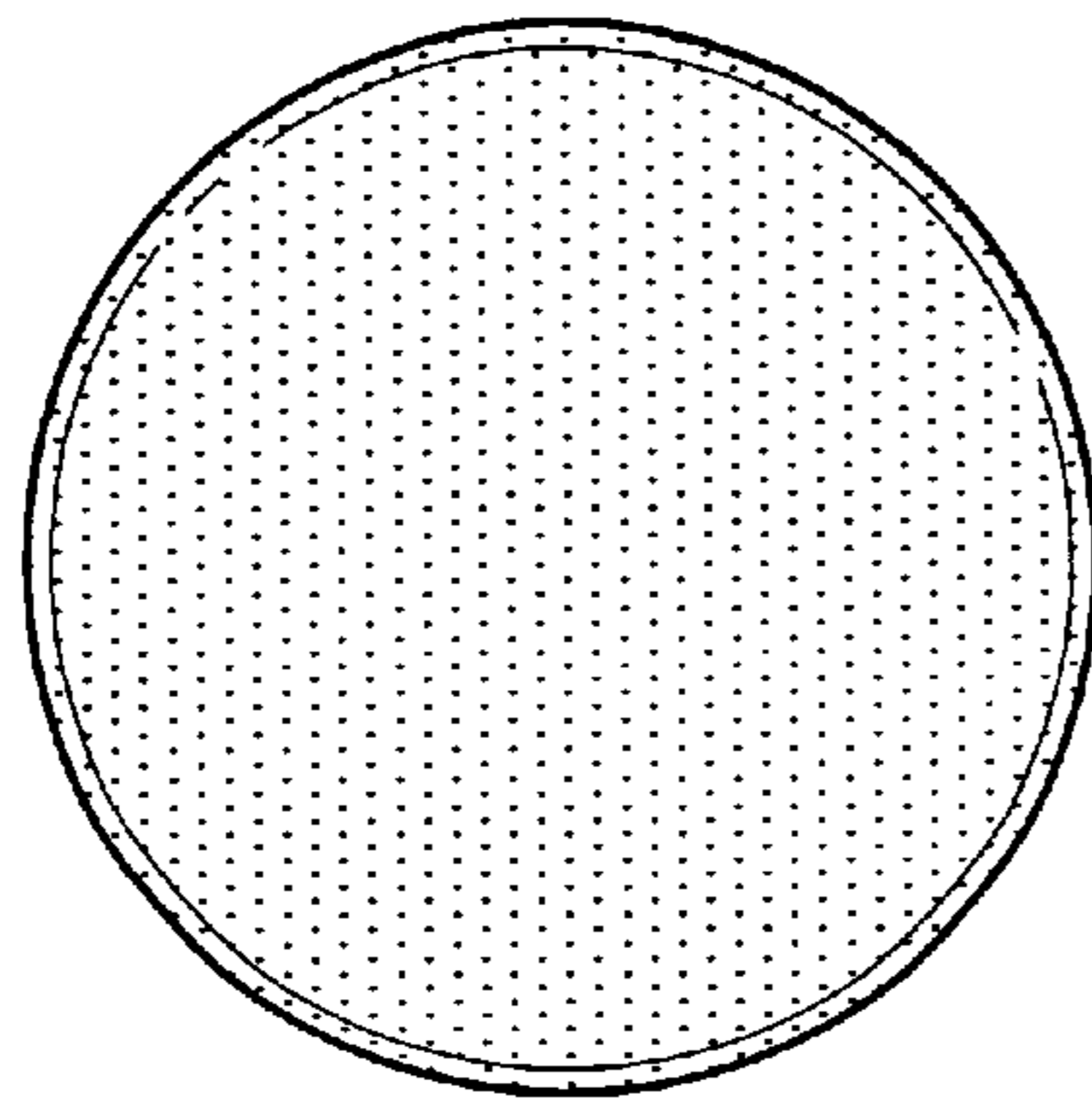


FIG. 6

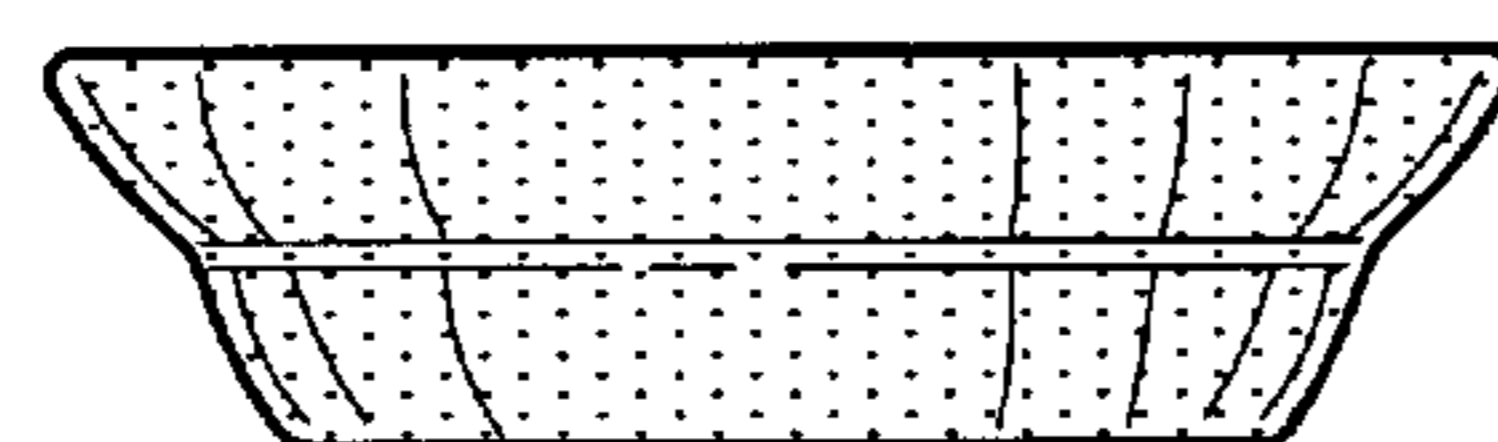


FIG. 7

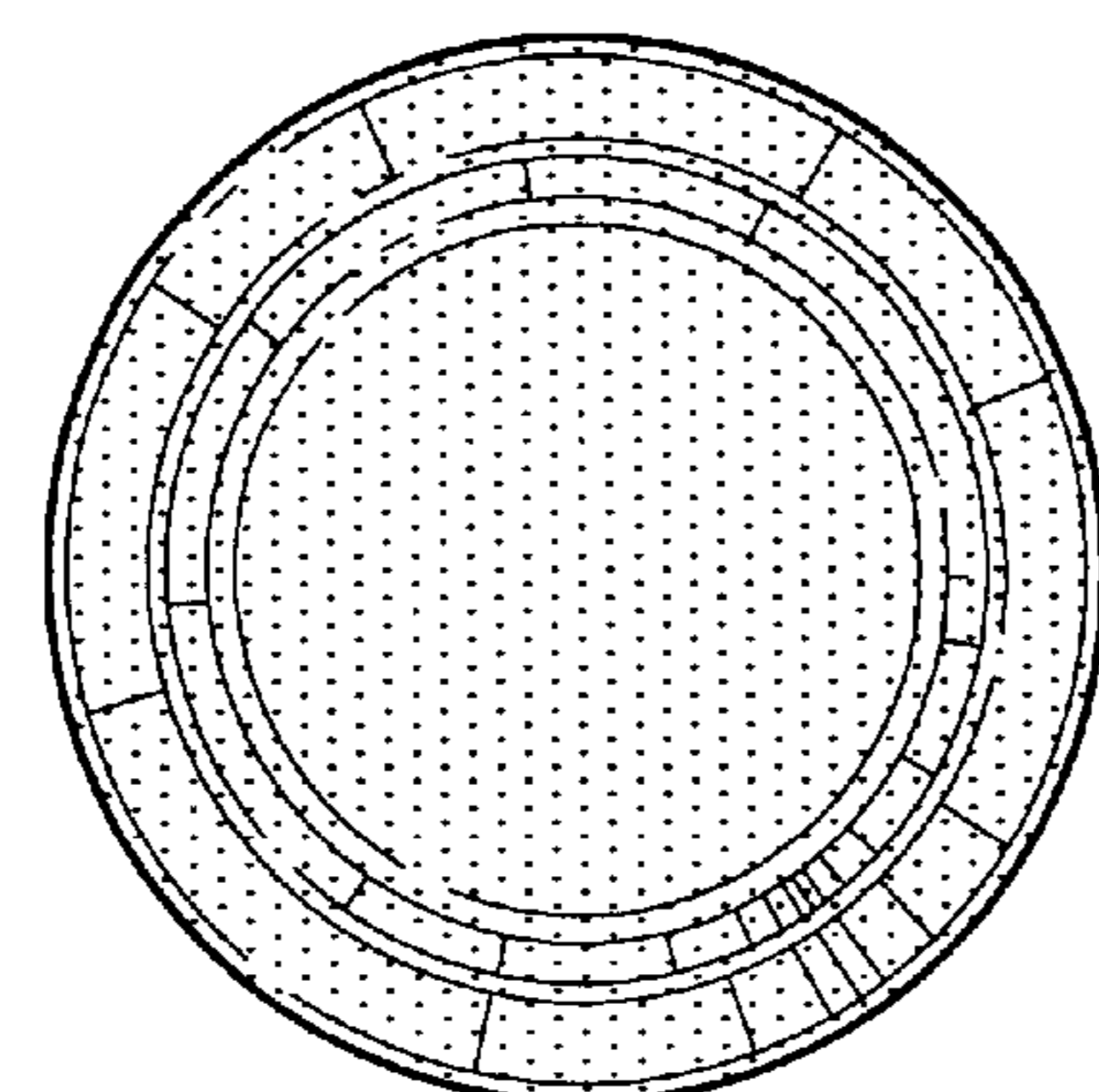


FIG. 8

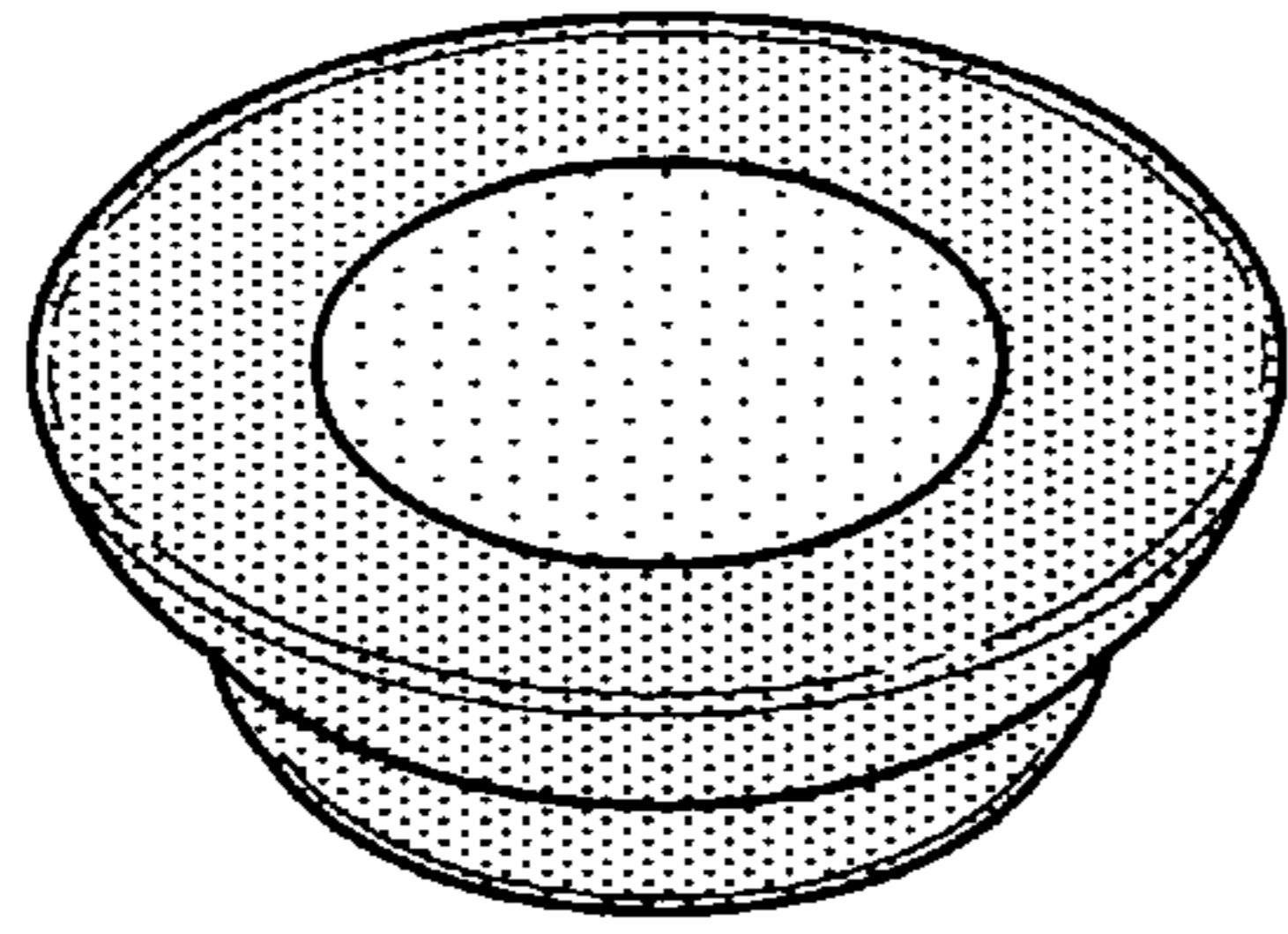


FIG. 9

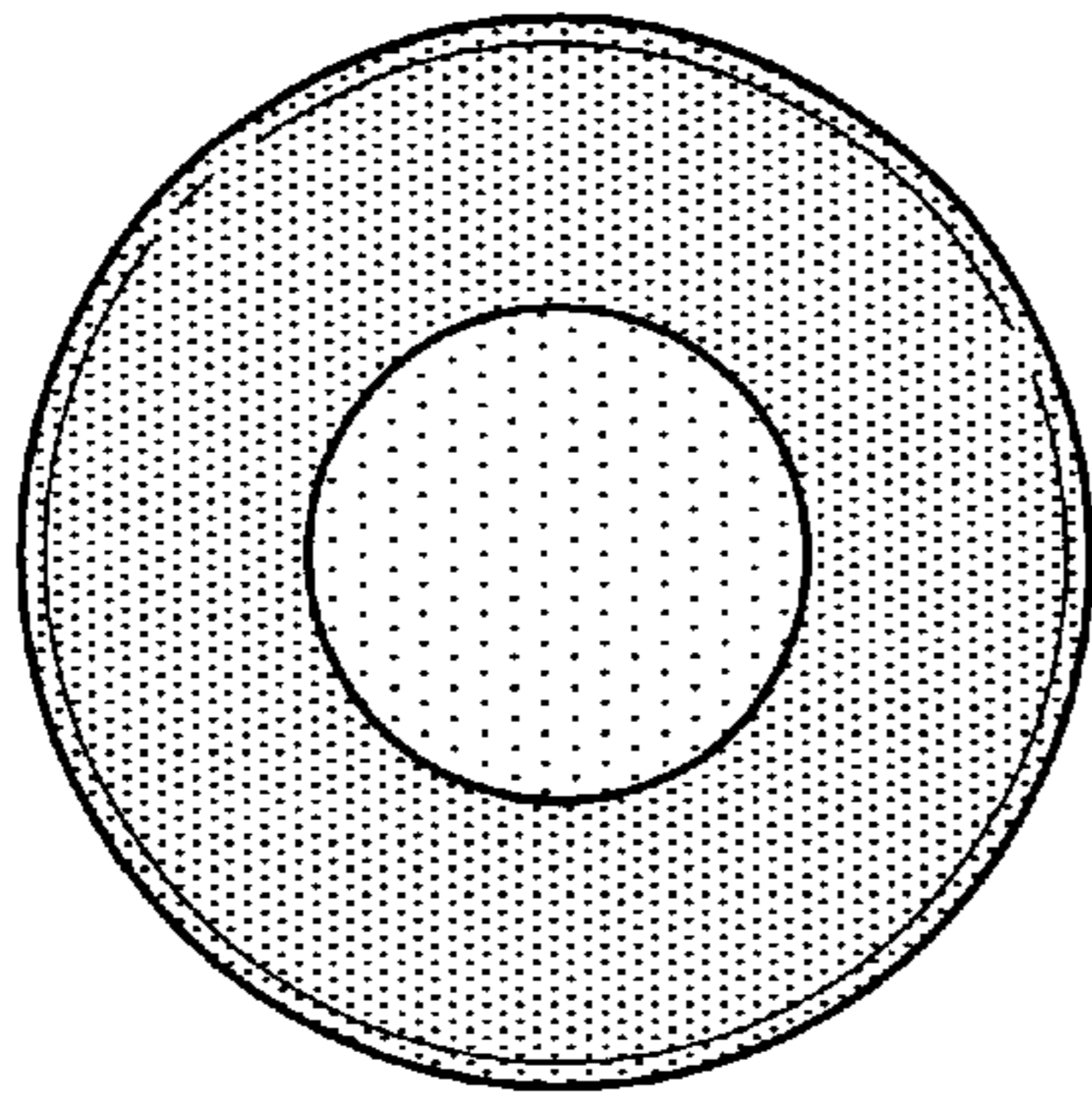


FIG. 10

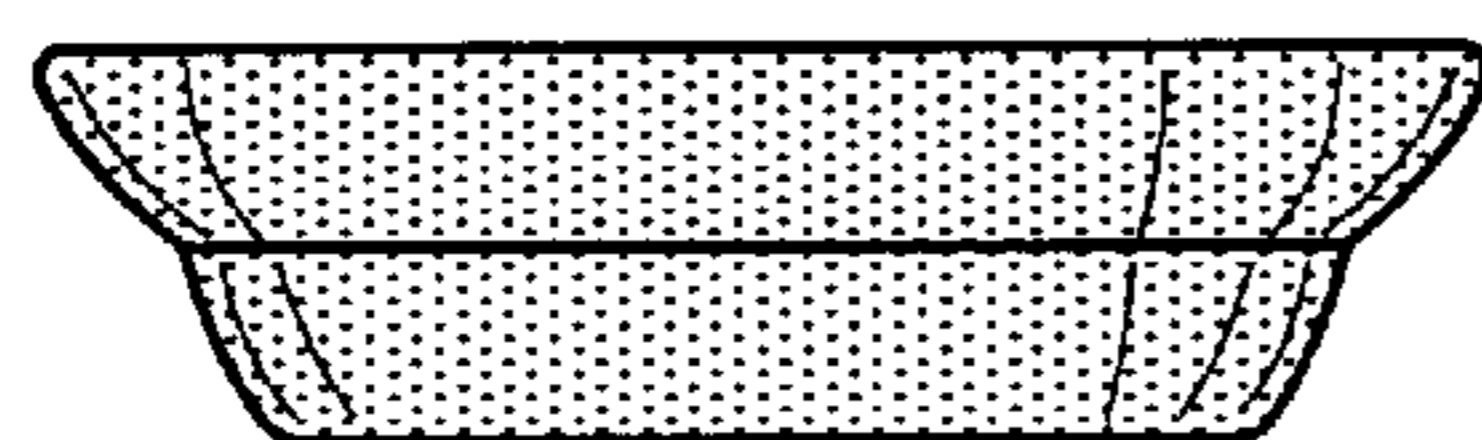


FIG. 11

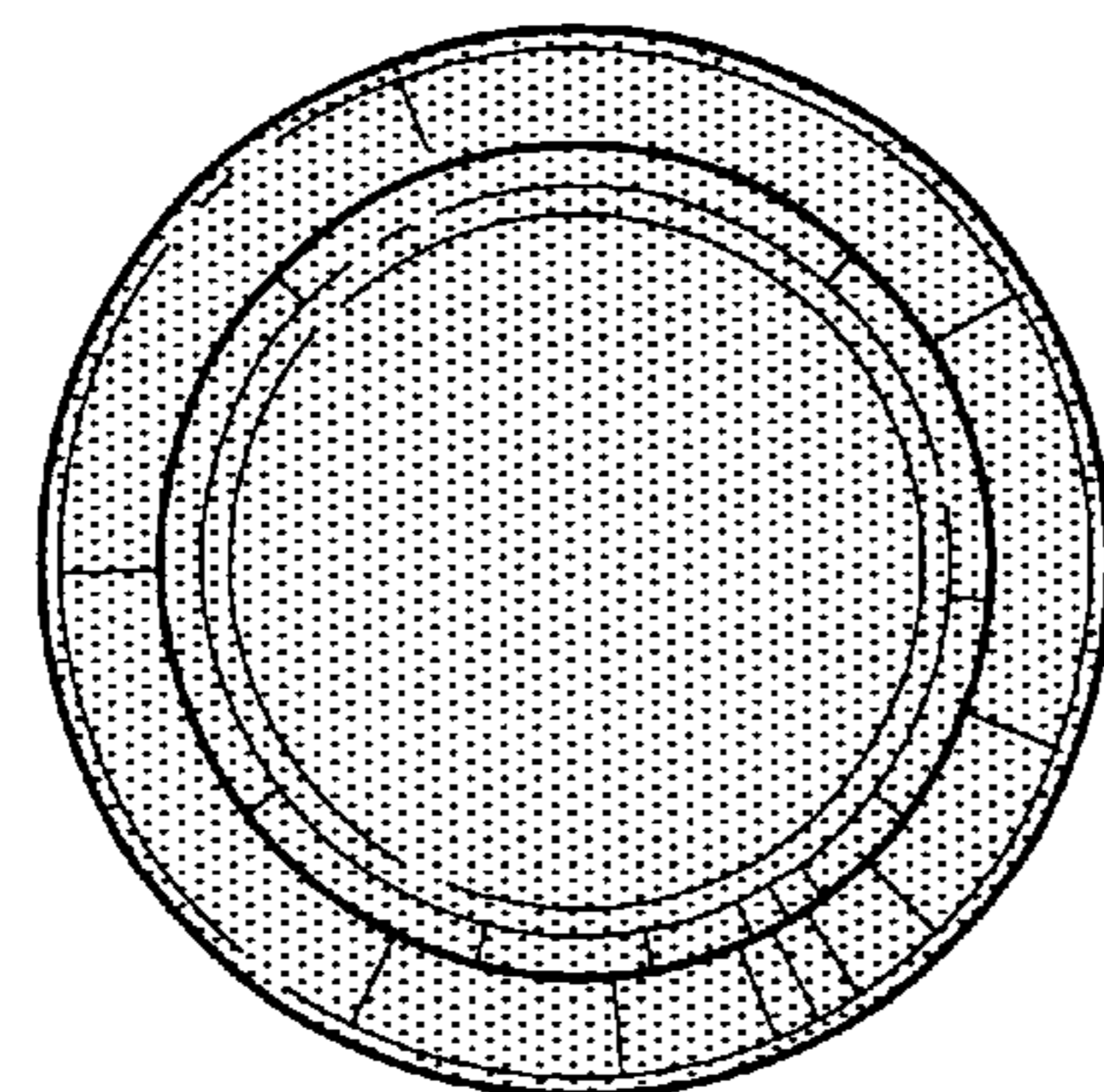


FIG. 12

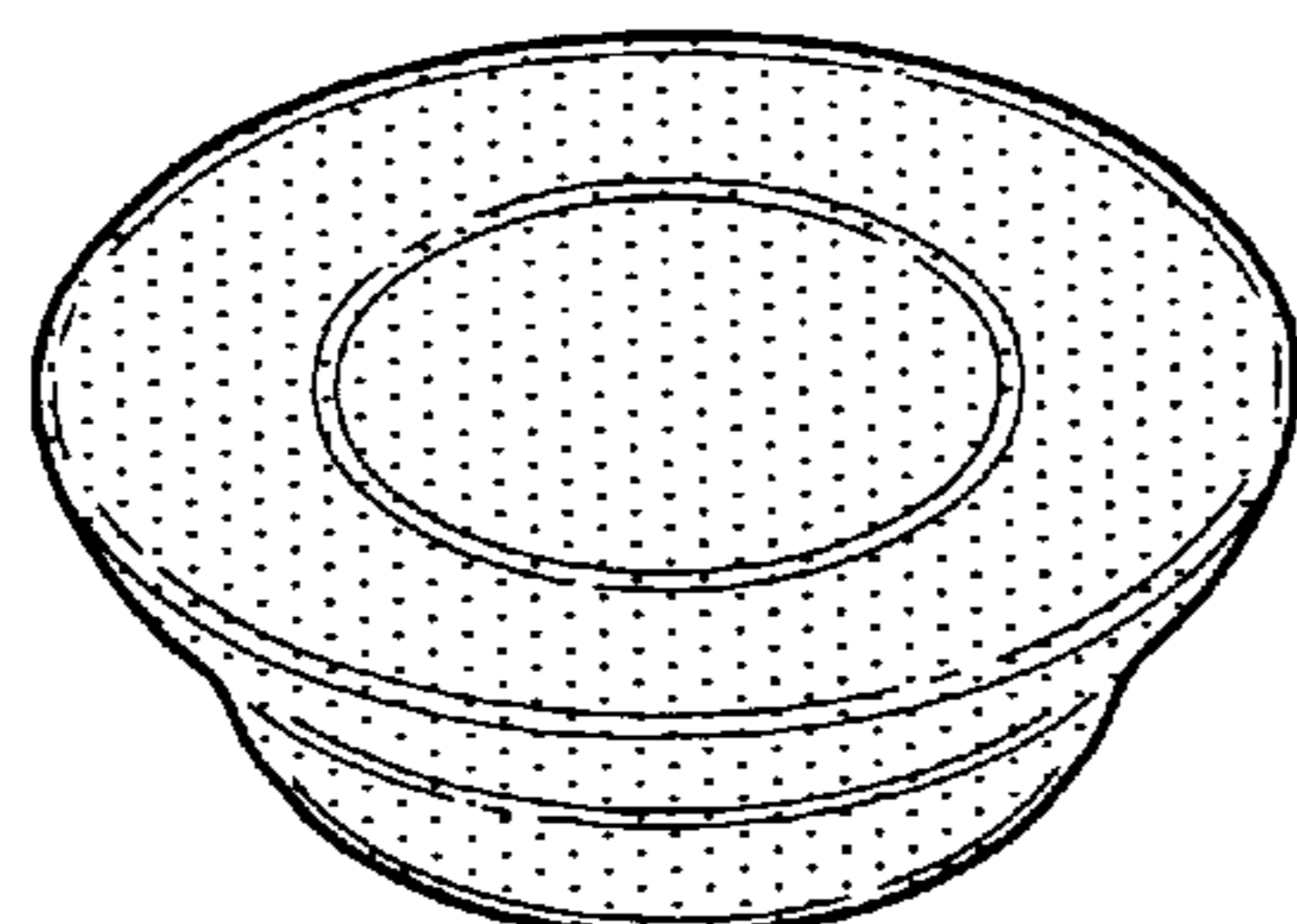


FIG. 13

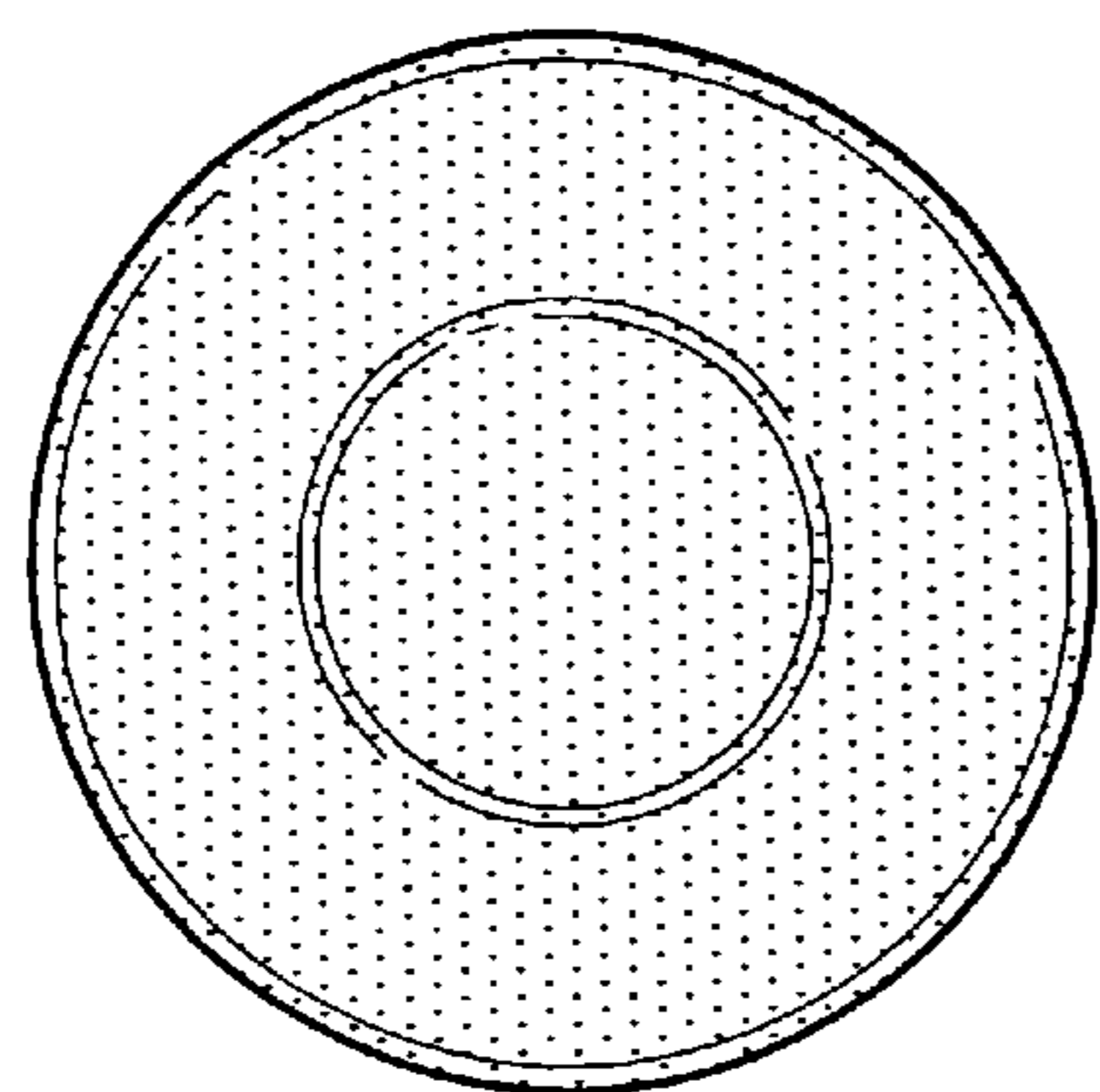


FIG. 14

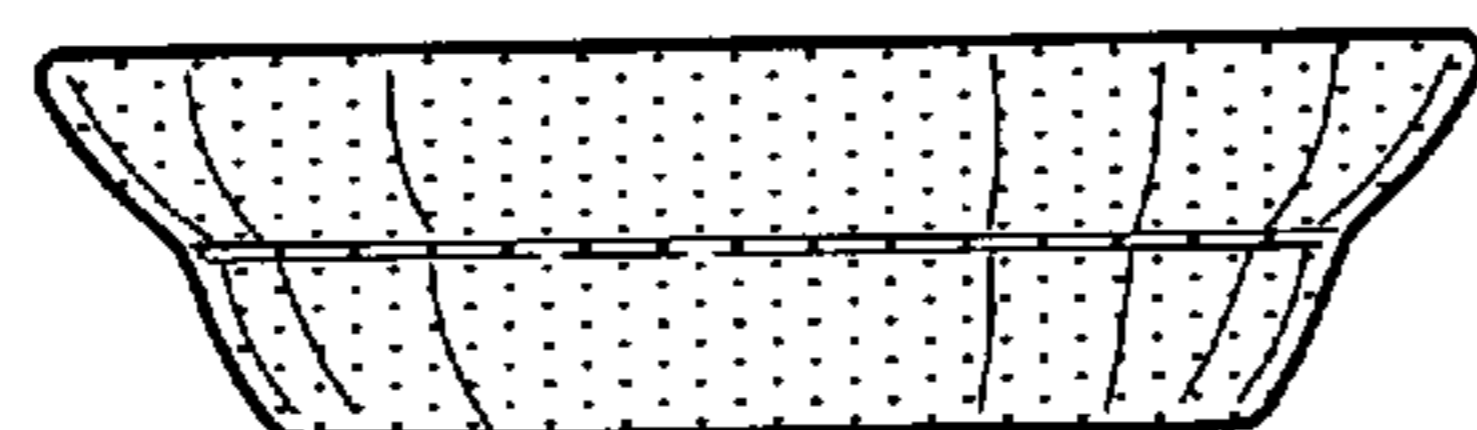


FIG. 15

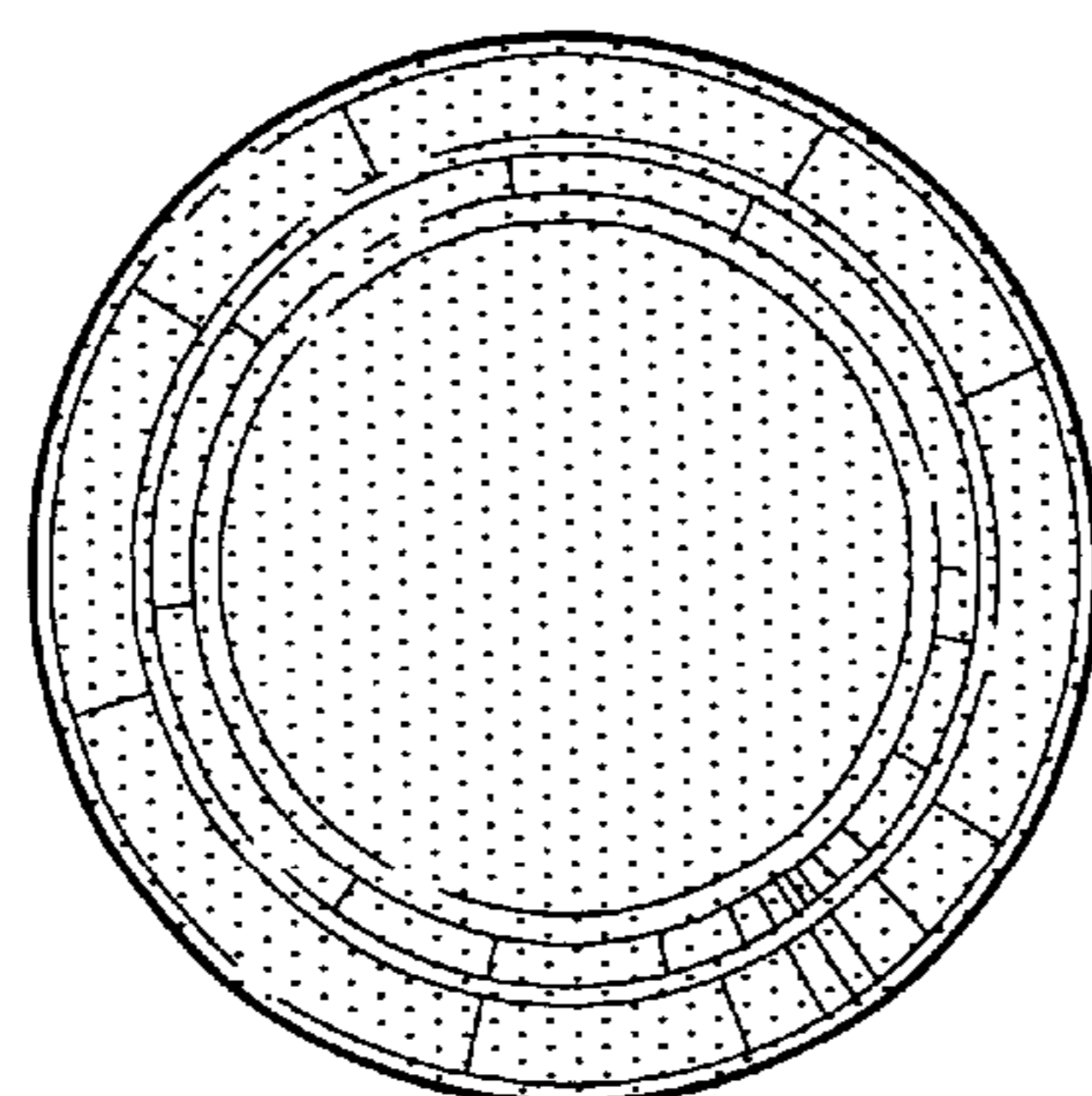


FIG. 16

UNITED STATES PATENT AND TRADEMARK OFFICE
CERTIFICATE OF CORRECTION

PATENT NO. : Des. 525,763 S
APPLICATION NO. : 29/212413
DATED : August 1, 2006
INVENTOR(S) : Mihaelos Nicholas Mihalos et al.

Page 1 of 1

It is certified that error appears in the above-identified patent and that said Letters Patent is hereby corrected as shown below:

On Title page

Change “(74) Attorney, Agent or Firm --- Hollander Law Firm, P.L.L.C.”

to --(74) Attorney, Agent or Firm --- Hollander Law Firm, P.L.C.--

Signed and Sealed this

Third Day of October, 2006

A handwritten signature in black ink on a dotted background. The signature reads "Jon W. Dudas" in a cursive style.

JON W. DUDAS

Director of the United States Patent and Trademark Office