



US00D525759S

(12) **United States Design Patent**
Palmer

(10) **Patent No.:** **US D525,759 S**

(45) **Date of Patent:** **** Jul. 25, 2006**

- (54) **PORTION OF A CONTAINER**
- (75) Inventor: **Roger Keith Palmer**, Katikati (NZ)
- (73) Assignee: **Food Cap International Limited**,
Auckland (NZ)
- (**) Term: **14 Years**

5,346,079	A	*	9/1994	Price et al.	211/41.12
5,670,195	A		9/1997	Palmer		
D393,128	S	*	3/1998	Maddux	D34/14
6,054,161	A		4/2000	Palmer		
6,194,012	B1		2/2001	Palmer		
2004/0089657	A1	*	5/2004	Waszak	220/4.03
2004/0118742	A1	*	6/2004	Shuert	206/600

* cited by examiner

- (21) Appl. No.: **29/221,539**
- (22) Filed: **Jan. 19, 2005**

Primary Examiner—Freda Nunn
Assistant Examiner—Kevin K. Rudzinski
 (74) *Attorney, Agent, or Firm*—Birch, Stewart, Kolasch & Birch, LLP

(30) **Foreign Application Priority Data**

Jul. 20, 2004 (NZ) 405062

- (51) **LOC (8) Cl.** **12-02**
- (52) **U.S. Cl.** **D34/27**
- (58) **Field of Classification Search** D34/12-27;
312/400, 200, 249.8, 108, 248, 198, 107,
312/204, 290; D6/477, 478, 479, 445; 211/194;
280/79.3; 220/4.27; 206/508, 509, 511, 512;
D9/424

See application file for complete search history.

(56) **References Cited**

U.S. PATENT DOCUMENTS

1,682,028	A	*	8/1928	Young	206/509
2,429,958	A	*	10/1947	Liebmann	206/505
3,303,965	A	*	2/1967	Parker et al.	206/511
3,331,529	A	*	7/1967	Slapnik	206/508
3,376,046	A	*	4/1968	Kivett et al.	280/33.998
3,759,416	A	*	9/1973	Constantine	206/505
3,760,970	A	*	9/1973	Lutz	220/4.28
D248,090	S	*	6/1978	Box	D9/424
D251,968	S	*	5/1979	Tucky	D34/19
4,405,057	A	*	9/1983	Stein	220/523
5,062,539	A	*	11/1991	Chandler	220/4.27

(57) **CLAIM**

The ornamental design for the portion of a container, as shown and described.

DESCRIPTION

FIG. 1 is a perspective view of the portion of a container of the present design.

FIG. 2 is a front elevation view of the portion of a container of FIG. 1, the opposite rear side elevation view being a mirror image.

FIG. 3 is a side elevation view of the portion of a container of FIG. 1, the opposite side elevation view being a mirror image.

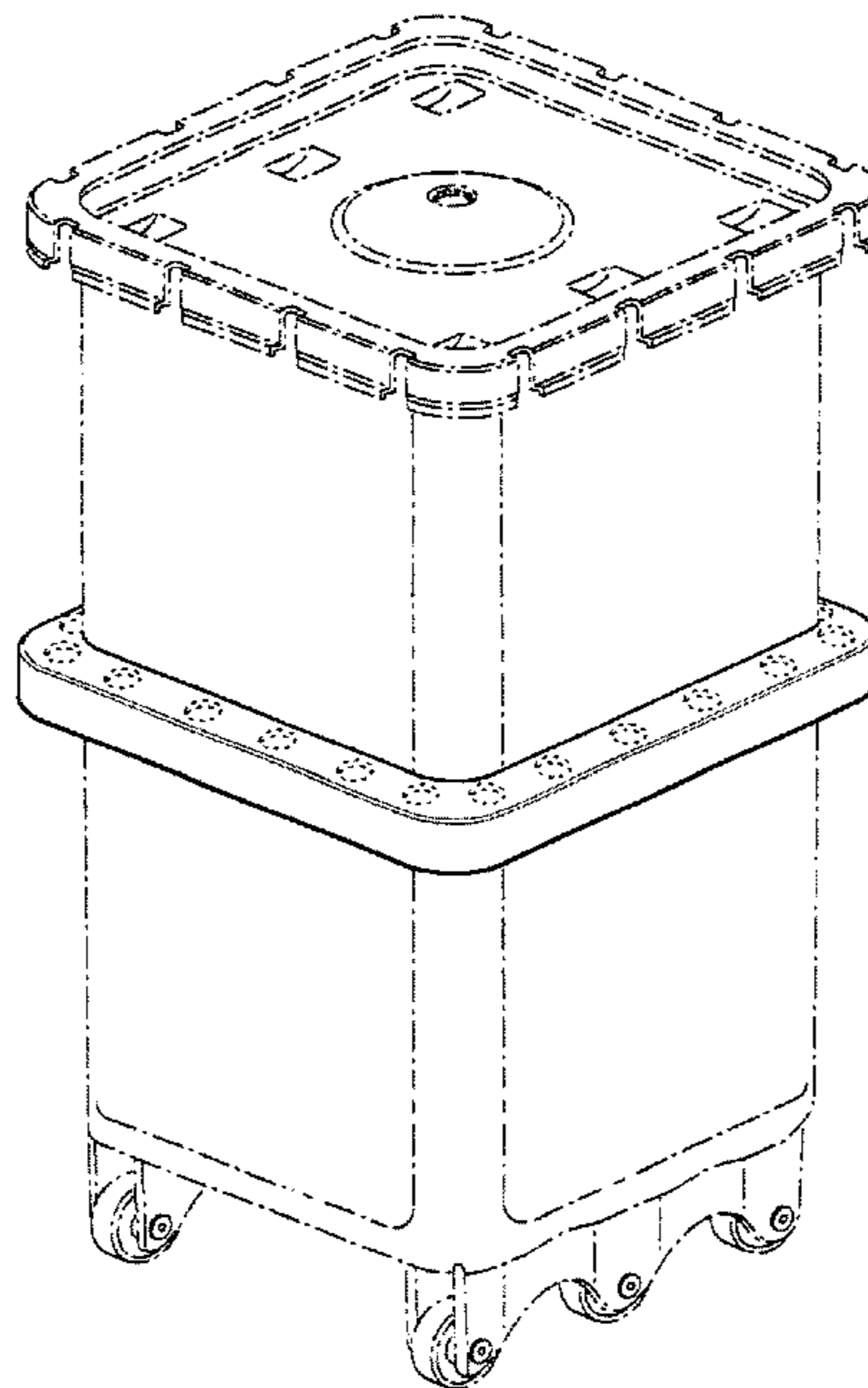
FIG. 4 is a top plan view of the portion of a container of FIG. 1.

FIG. 5 is a bottom plan view of the portion of a container of FIG. 1; and,

FIG. 6 is an enlarged portion of the side elevation in cross section of the portion of a container of FIG. 1.

The broken line showing of a container is for illustrative purposes only and forms no part of the claimed design.

1 Claim, 5 Drawing Sheets



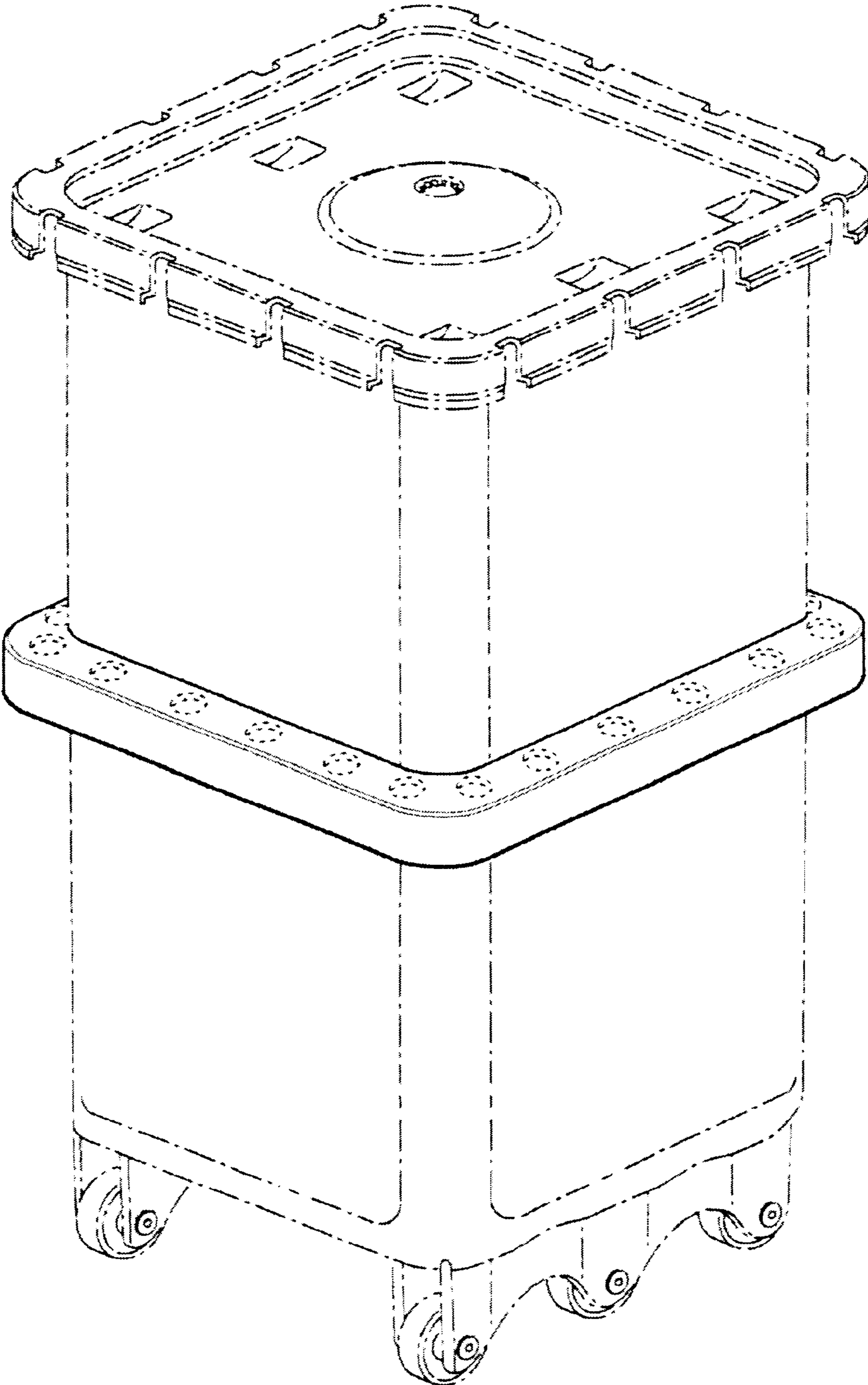


FIG. 1

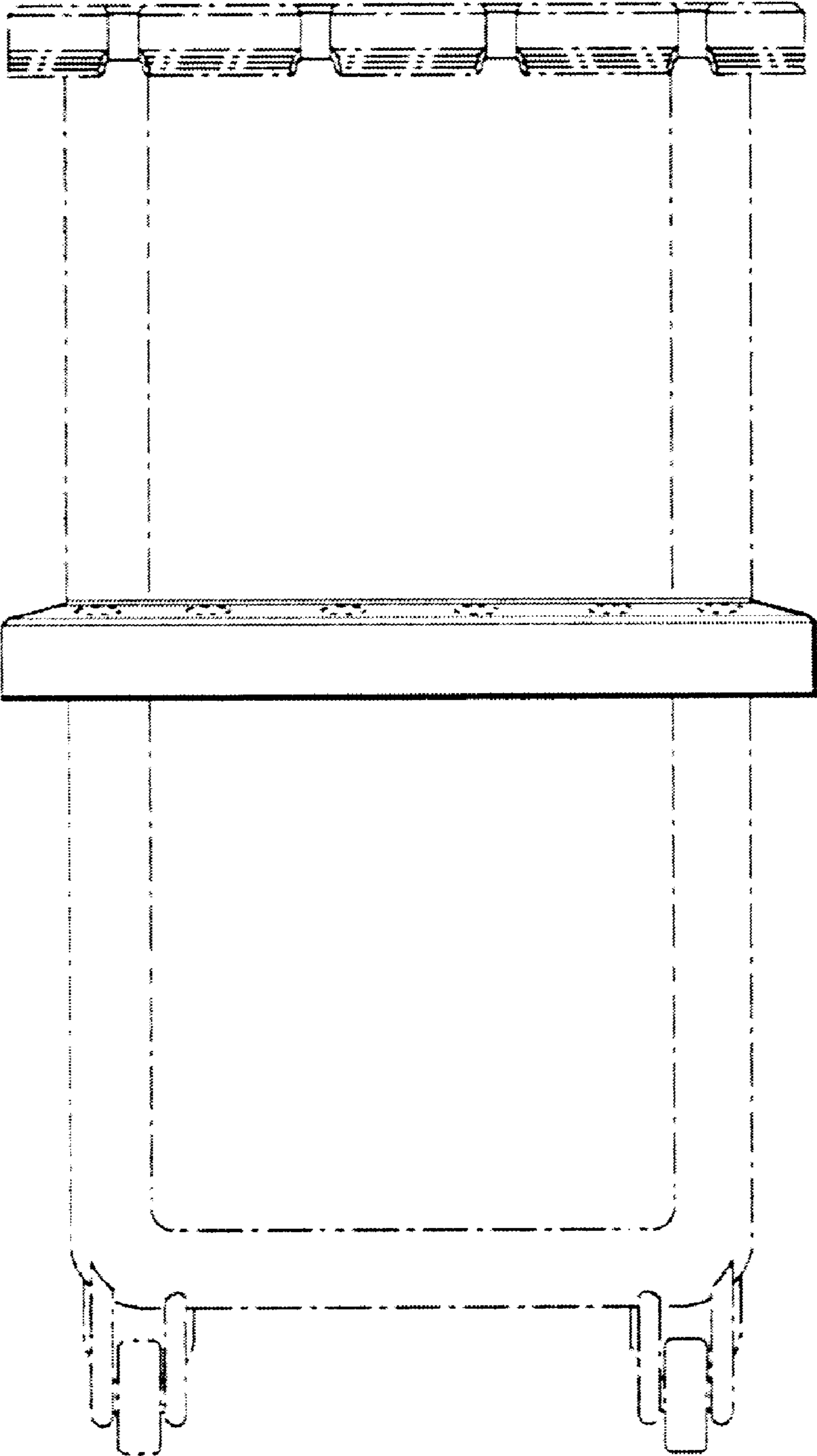


FIG.2

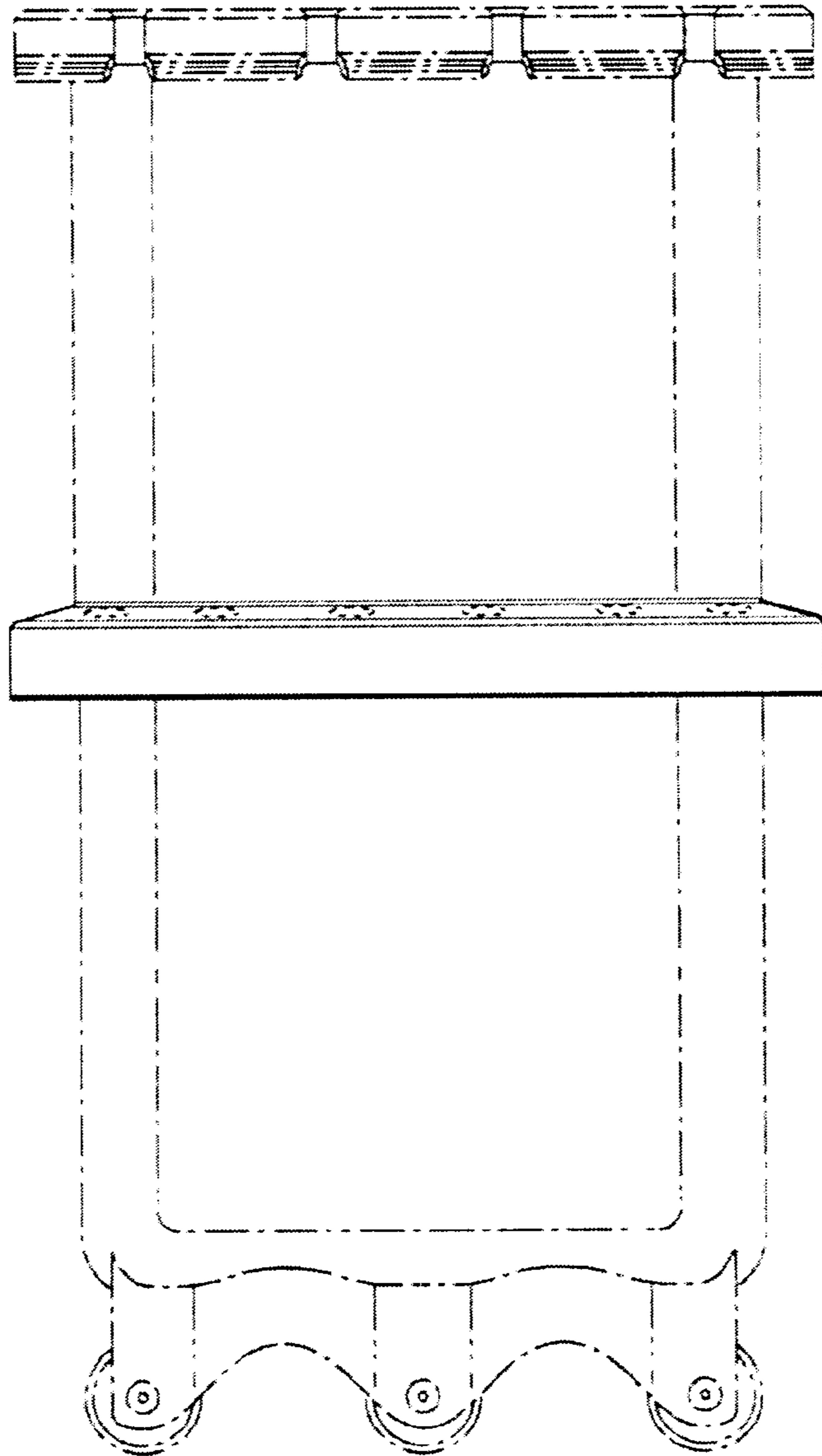


FIG.3

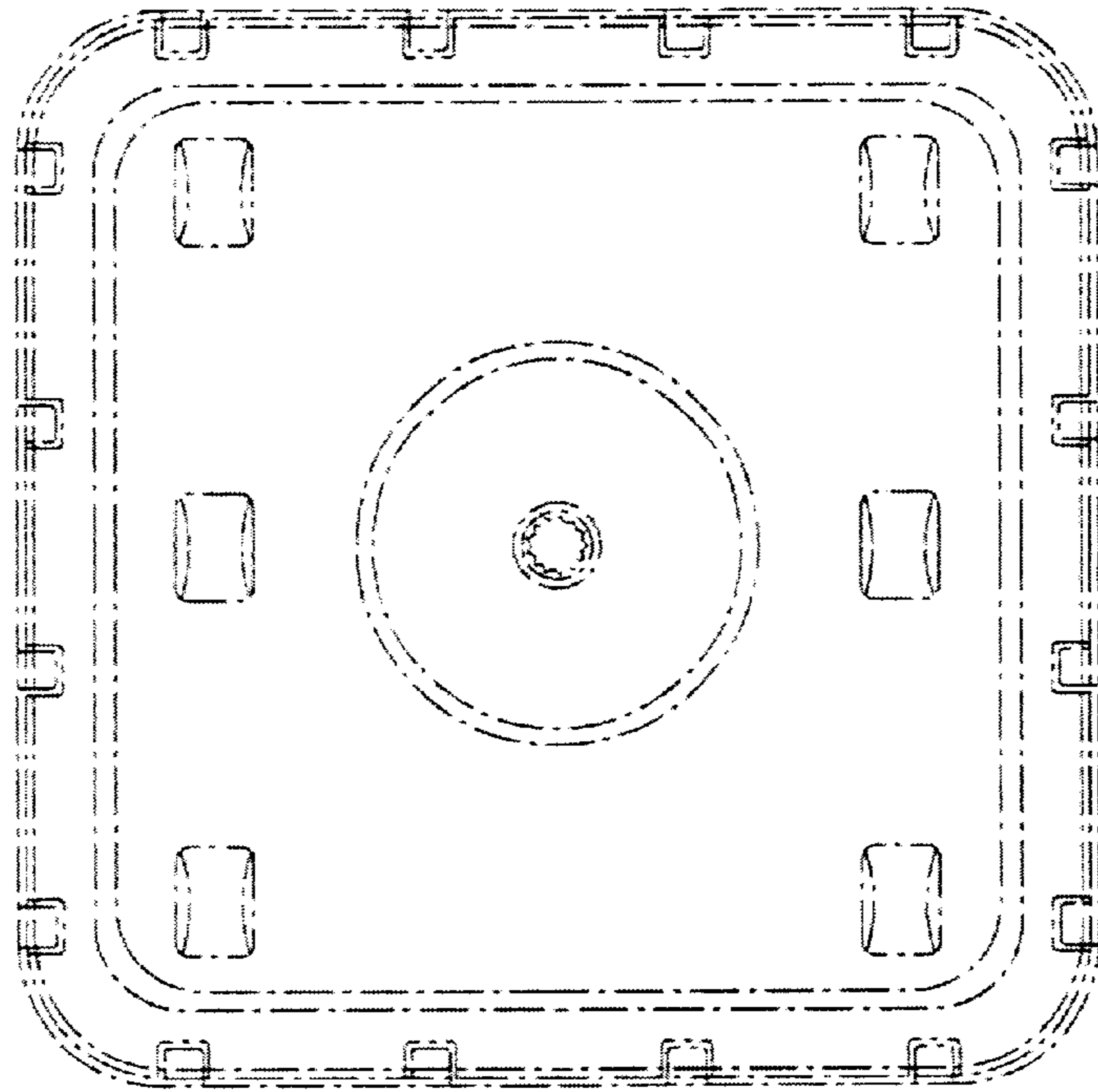


FIG. 4

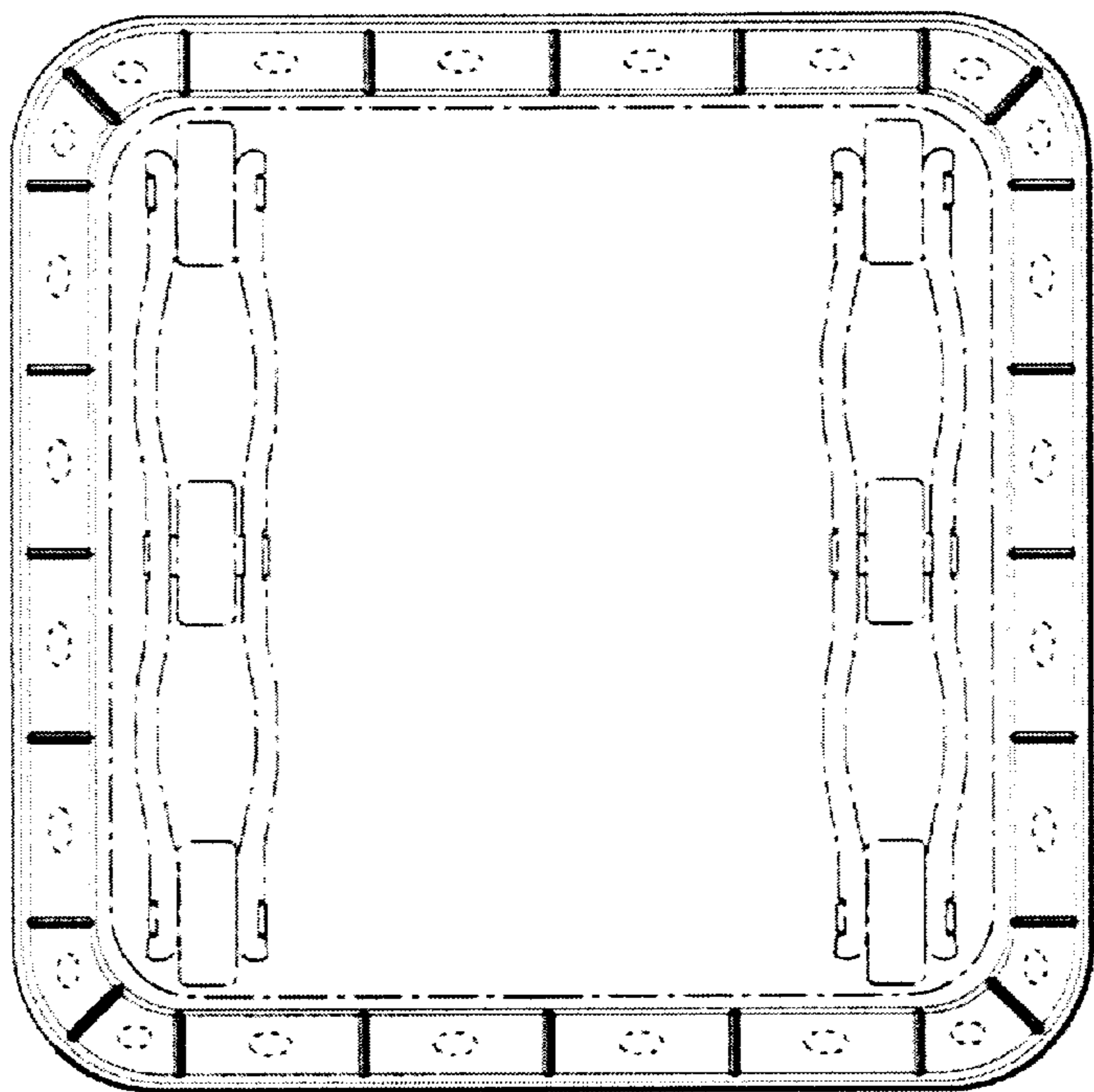


FIG. 5

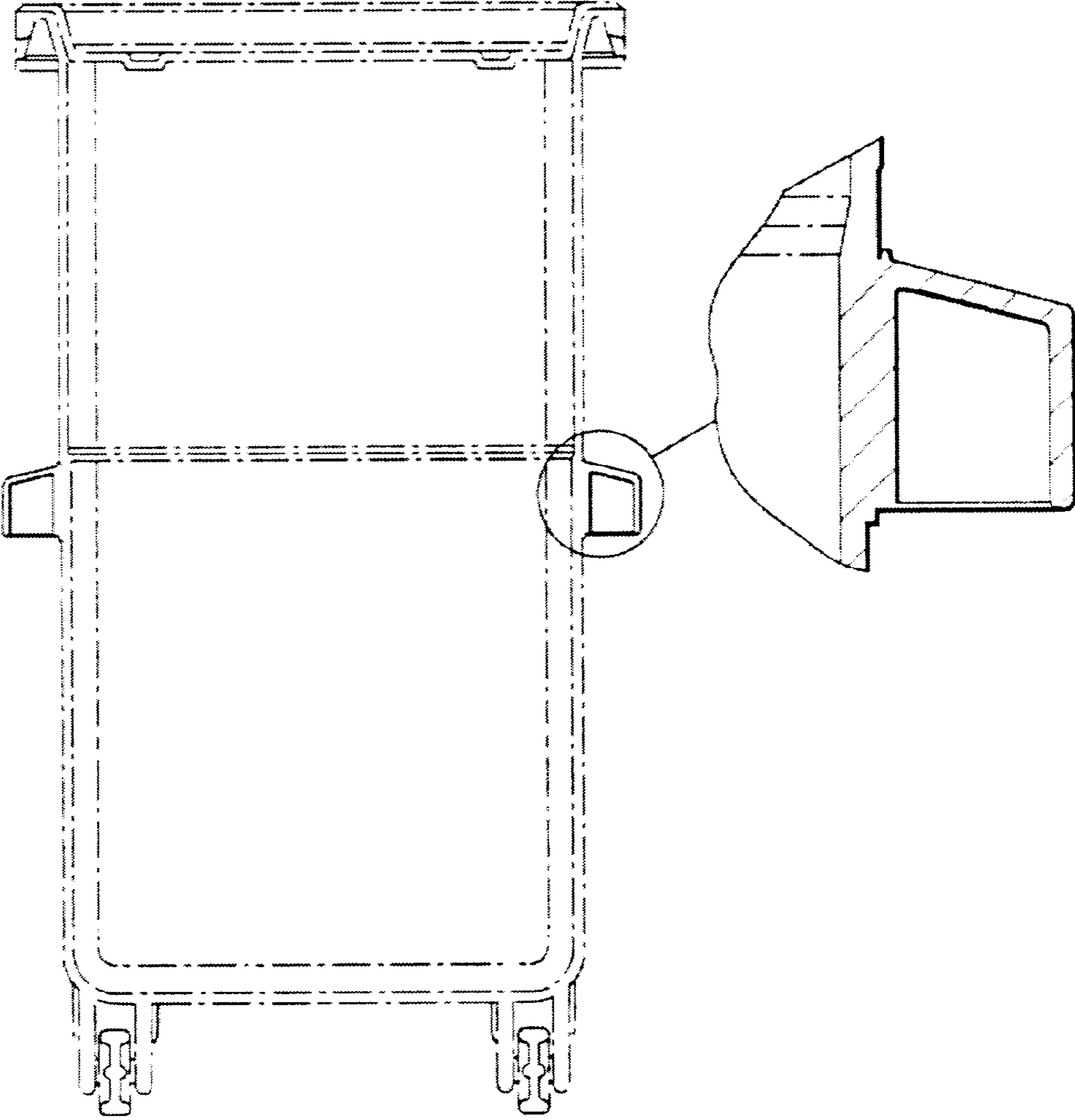


FIG.6