

US00D525753S

(12) **United States Design Patent**  
**Schoene**

(10) **Patent No.:** **US D525,753 S**

(45) **Date of Patent:** **\*\* Jul. 25, 2006**

(54) **DRYER DOOR HAVING SEE-THROUGH PORTION**

(75) Inventor: **Oliver Schoene**, New Bern, NC (US)

(73) Assignee: **BSH Home Appliances Corporation**,  
Huntington Beach, CA (US)

(\*\*) Term: **14 Years**

(21) Appl. No.: **29/237,620**

(22) Filed: **Sep. 3, 2005**

(51) **LOC (8) Cl.** ..... **15-05**

(52) **U.S. Cl.** ..... **D32/25**

(58) **Field of Classification Search** ..... D32/1,  
D32/5-10, 25; 68/3 R, 4, 5 R, 12.01, 212,  
68/12.08; 34/58, 108, 130, 131-2, 417, 499,  
34/523-4, 595-7, 600, 603; 38/1 A; 312/31  
See application file for complete search history.

(56) **References Cited**

**U.S. PATENT DOCUMENTS**

4,053,992 A	10/1977	Furgal	
5,190,807 A	3/1993	Kimock et al.	
5,570,597 A	11/1996	Bongini	
5,664,340 A	9/1997	Brown	
5,701,684 A	12/1997	Johnson	
6,294,258 B1	9/2001	Gentile	
D456,572 S *	4/2002	Resuello et al.	D32/6
D457,991 S *	5/2002	Baldwin et al.	D32/6
6,381,874 B1	5/2002	Floyd	
6,405,453 B1	6/2002	Salameh et al.	

D459,844 S *	7/2002	Baldwin et al.	D32/6
6,431,735 B1	8/2002	Fraizer	
D465,622 S *	11/2002	Wang et al.	D32/6
6,665,984 B1	12/2003	Bienick et al.	
6,732,553 B1	5/2004	Rhode et al.	
D501,966 S *	2/2005	Hwang	D32/25
D506,045 S *	6/2005	No et al.	D32/25

\* cited by examiner

*Primary Examiner*—Louis S. Zarfes

*Assistant Examiner*—Kathleen Sims

(74) *Attorney, Agent, or Firm*—John T. Winburn; Russell W. Warnock; Craig J. Loest

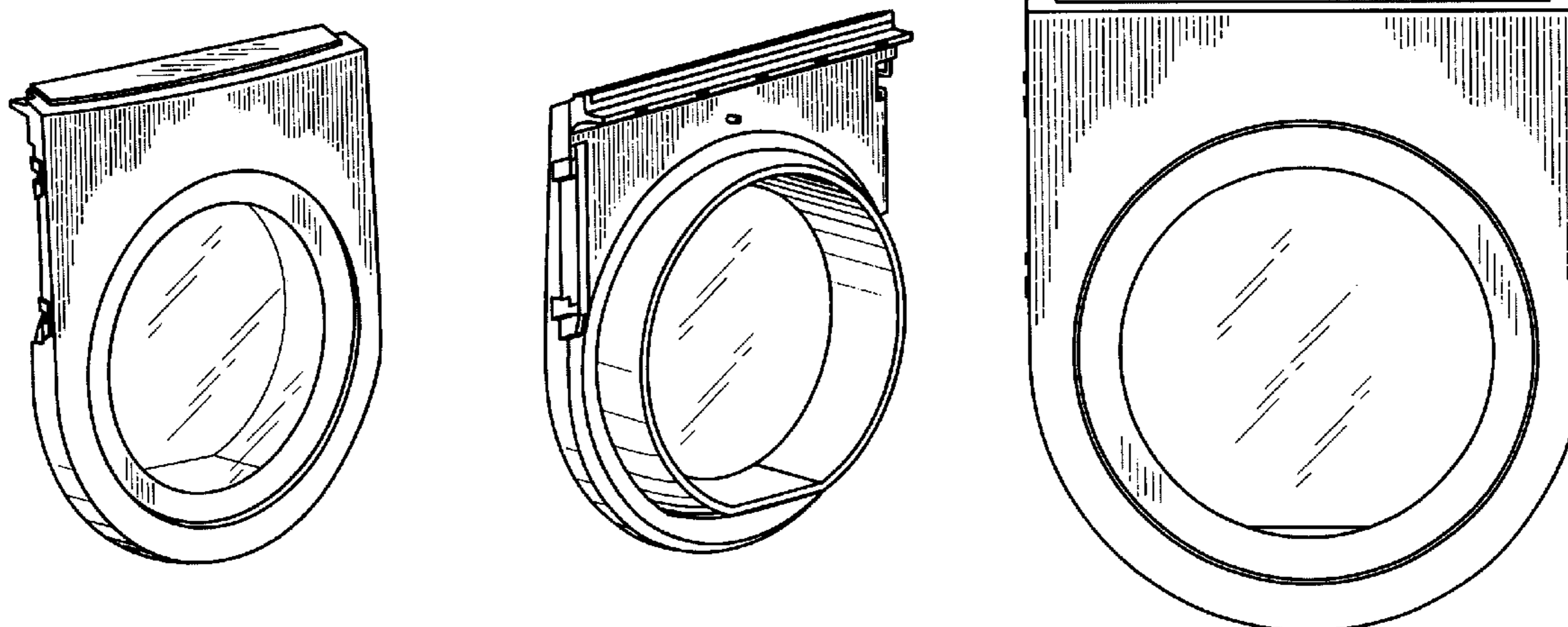
(57) **CLAIM**

The ornamental design for a dryer door having see-through portion, as shown and described.

**DESCRIPTION**

FIG. 1 is a perspective view of a dryer door having see-through portion showing my ornamental design; FIG. 2 is a rear perspective view of the dryer door having see-through portion embodiment shown in FIG. 1; FIG. 3 is a front plan view of the dryer door having see-through portion embodiment shown in FIG. 1; FIG. 4 is a left side view of the dryer door having see-through portion embodiment shown in FIG. 1; FIG. 5 is a rear plan view of the dryer door having see-through portion embodiment shown in FIG. 1; and, FIG. 6 is a right side view of the dryer door having see-through portion embodiment shown in FIG. 1.

**1 Claim, 3 Drawing Sheets**



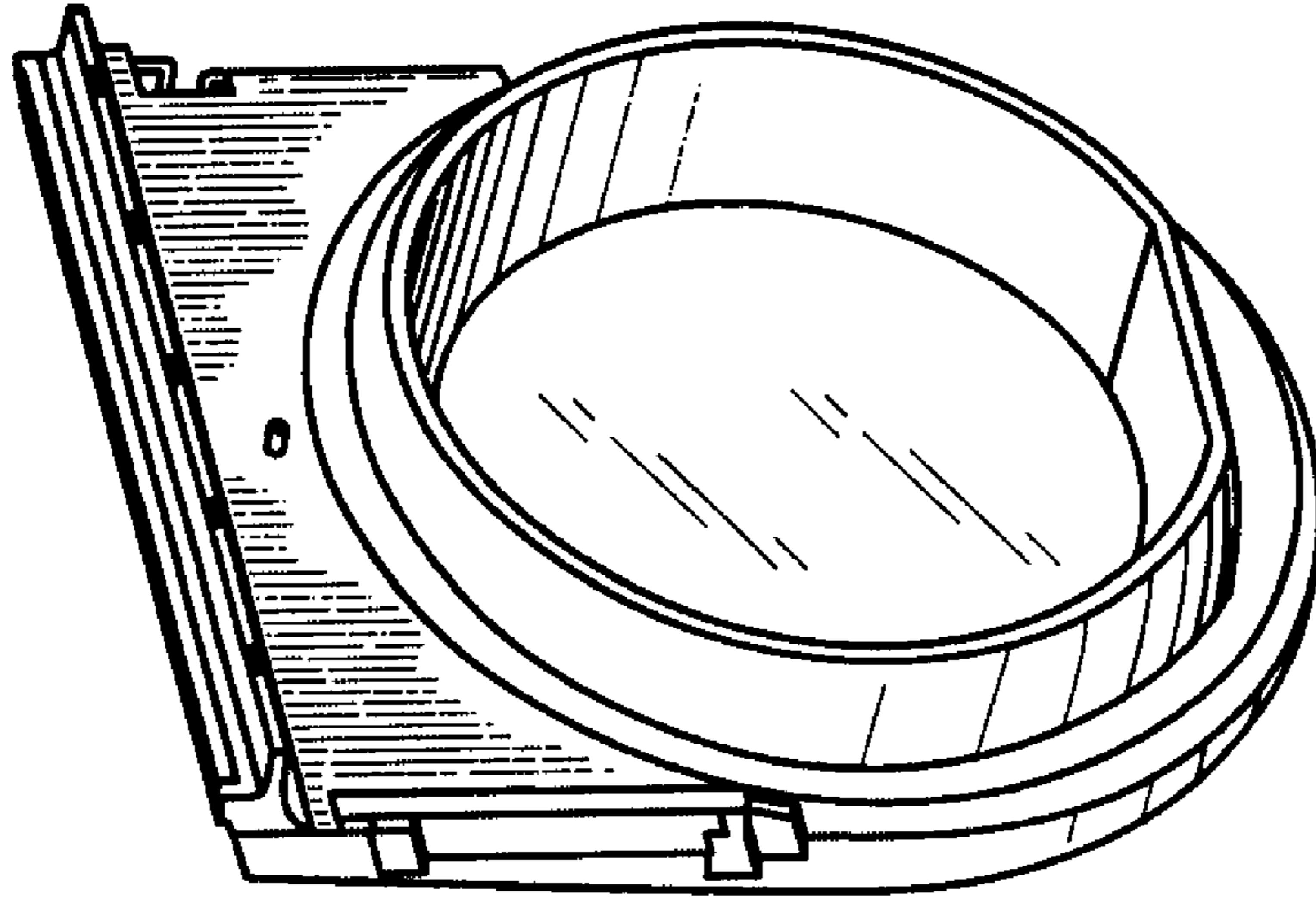


FIG. 1

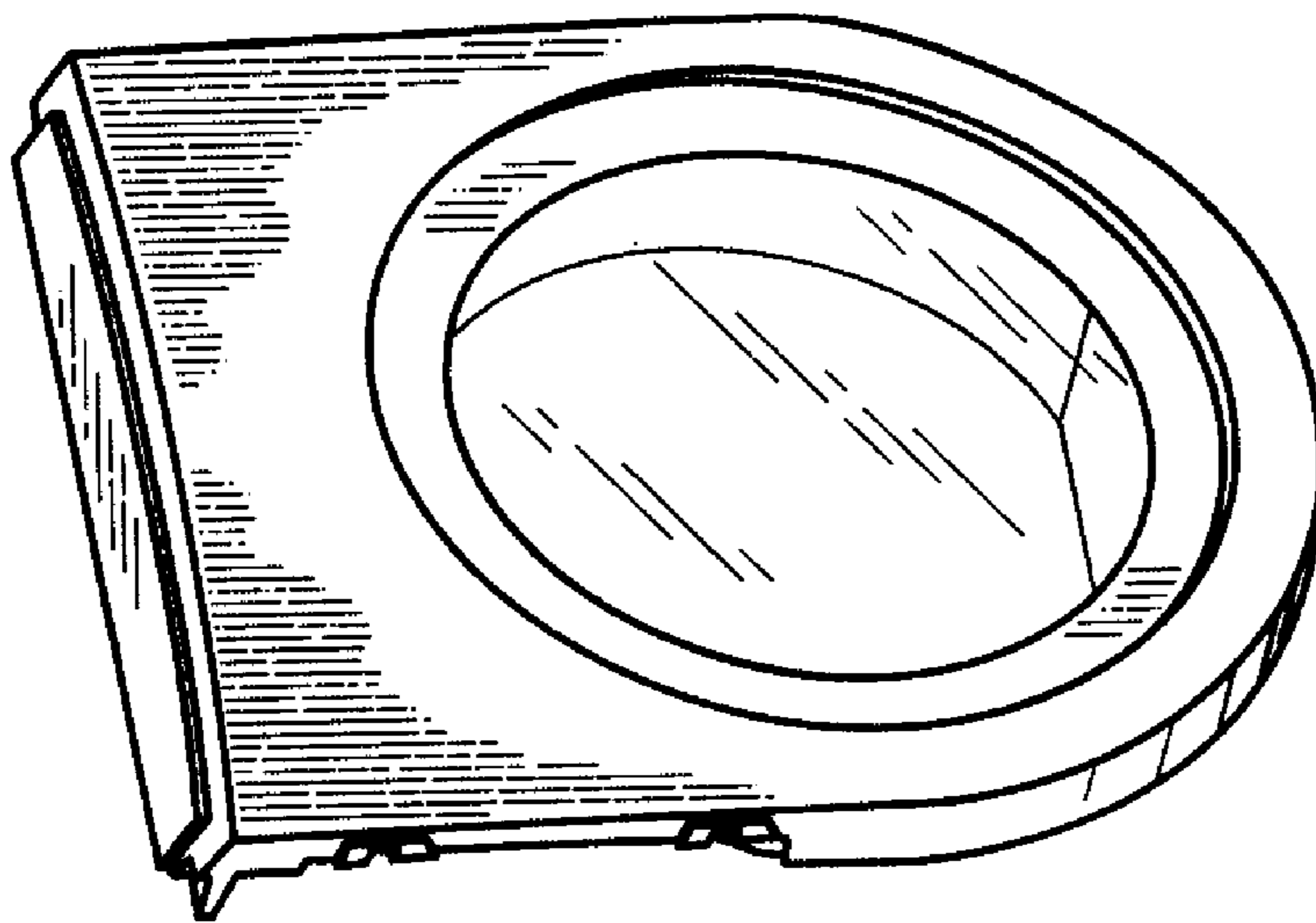


FIG. 2

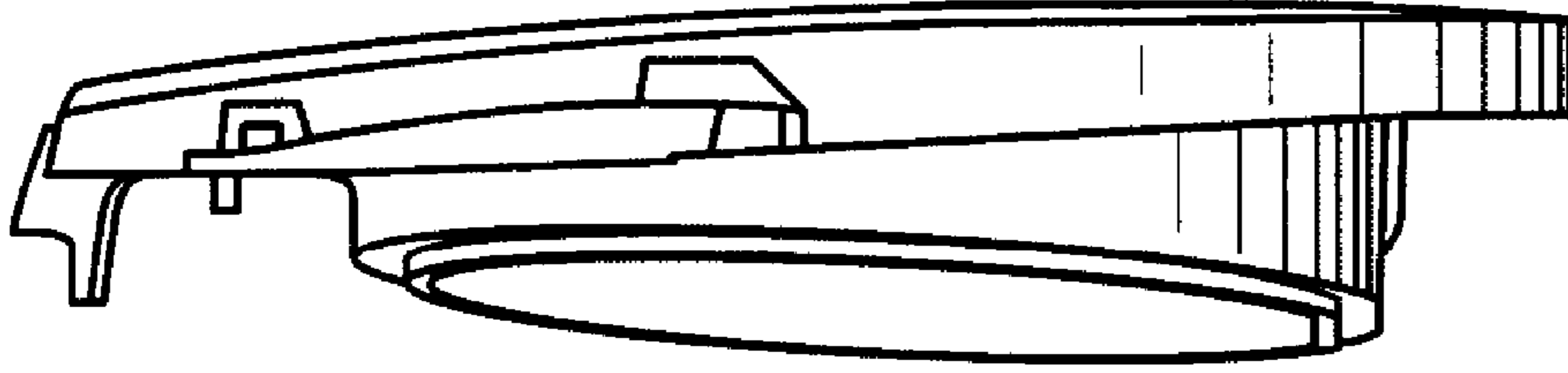


FIG. 4

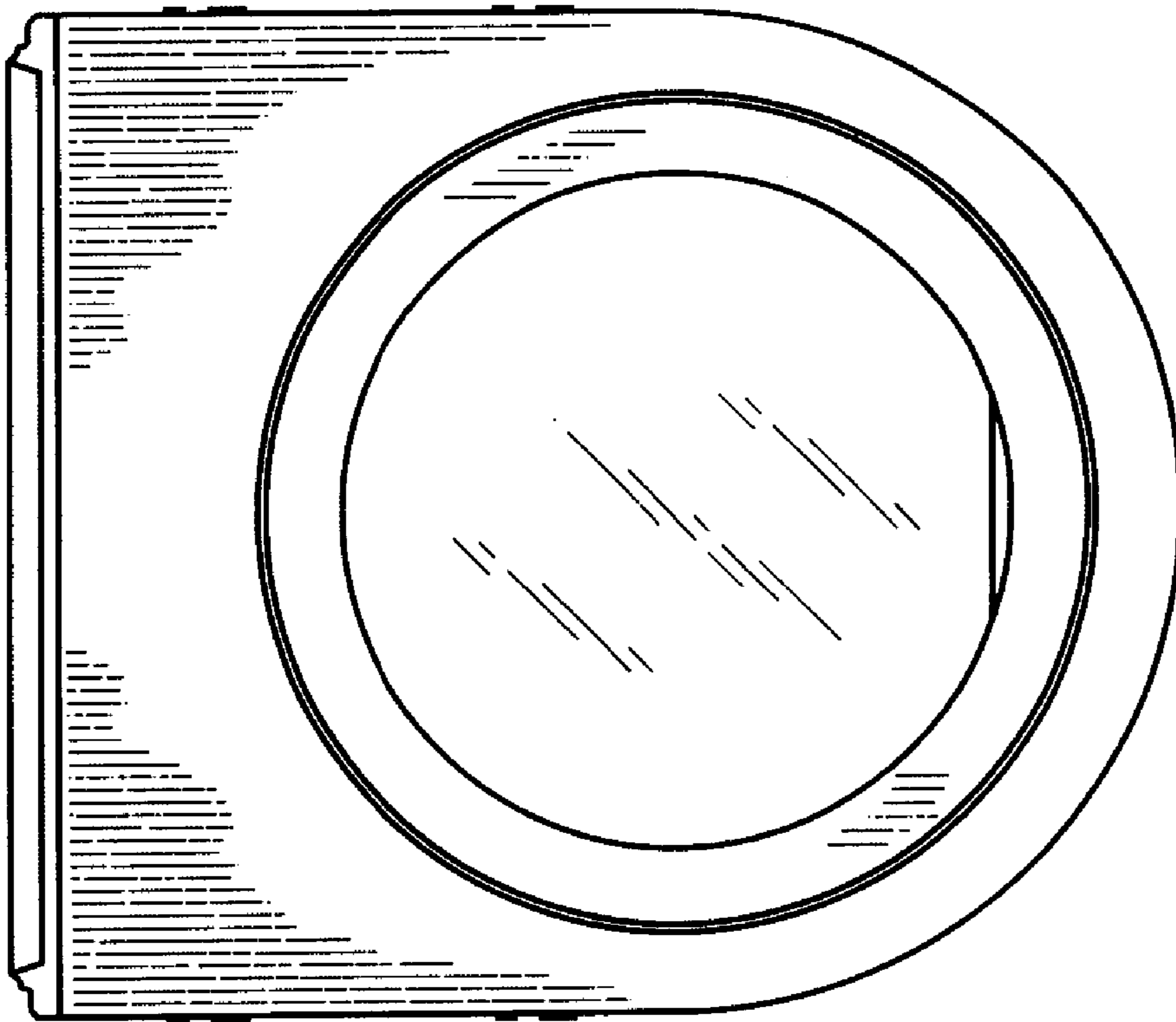


FIG. 3

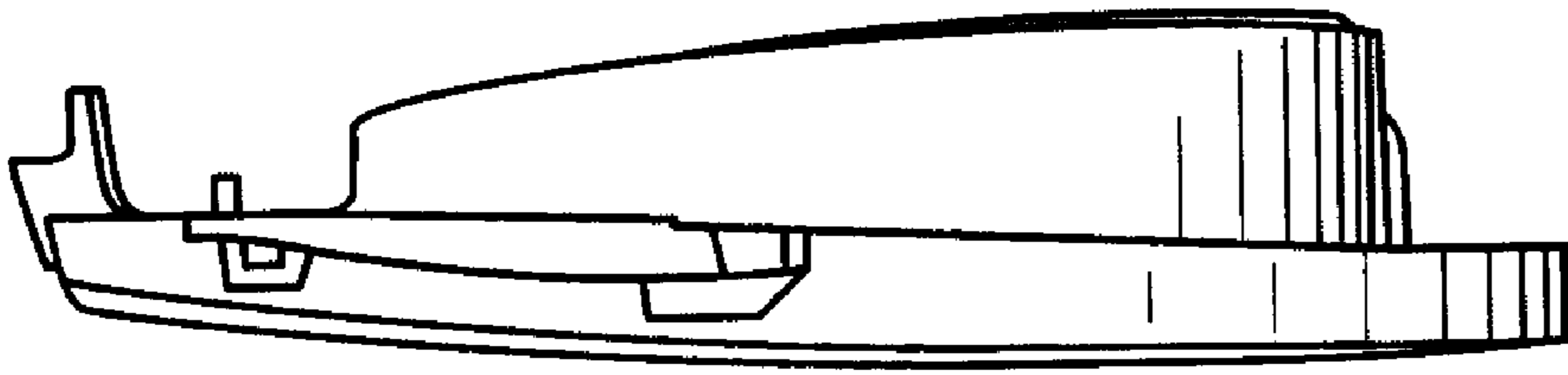


FIG. 6

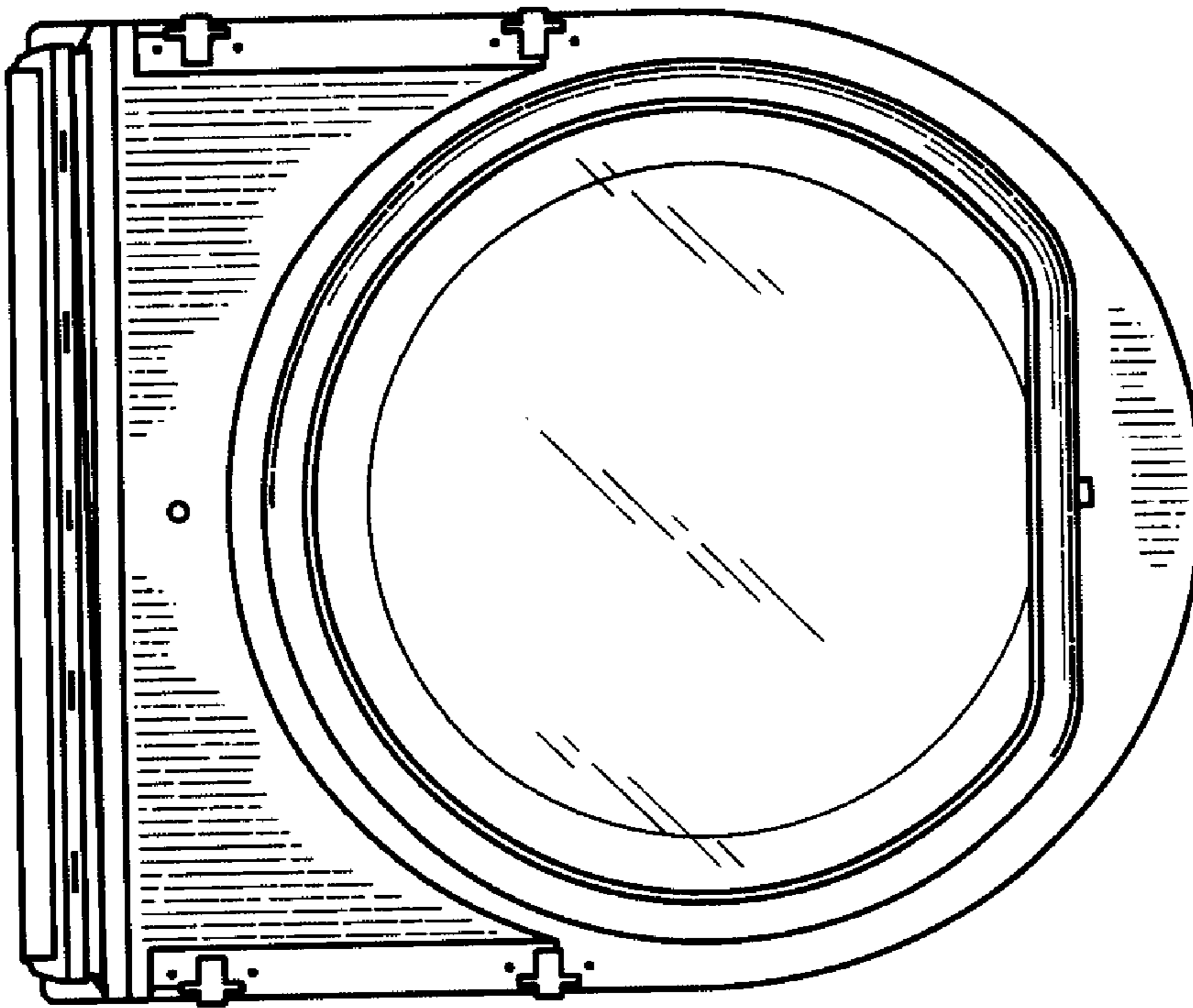


FIG. 5