



US00D525752S

(12) **United States Design Patent**
Bakker

(10) **Patent No.:** **US D525,752 S**
(45) **Date of Patent:** **** Jul. 25, 2006**

(54) **POLISHER WITH HANDGRIP**
(75) Inventor: **Rients Mathijs Bakker**, Shanghai (CN)
(73) Assignee: **Jinding Group Co., Ltd.**, Shanghai (CN)
(**) Term: **14 Years**
(21) Appl. No.: **29/199,396**
(22) Filed: **Feb. 13, 2004**

(51) **LOC (8) Cl.** **15-05**
(52) **U.S. Cl.** **D32/19**
(58) **Field of Classification Search** D32/1,
D32/15, 16, 19, 20, 25; 15/23, 28, 32, 34,
15/21.1, 22.1, 22.2, 97.1; D4/102, 100, 127,
D4/129; D8/61, 62, 67, 69, 70; 451/353,
451/357, 358, 359

See application file for complete search history.

(56) **References Cited**

U.S. PATENT DOCUMENTS

D273,173 S * 3/1984 Poon D8/62
D312,714 S 12/1990 Simonelli et al.
D313,890 S * 1/1991 Machuron D4/102
D330,151 S * 10/1992 Fisher D8/62
D332,734 S 1/1993 Fushiya et al.
D336,229 S 6/1993 Bunyea
D354,424 S * 1/1995 Izumisawa D8/62
5,496,207 A 3/1996 Hornung et al.
5,564,969 A 10/1996 Tsang
D379,749 S 6/1997 Gildersleeve et al.
D380,069 S 6/1997 McCracken
D380,950 S 7/1997 Gildersleeve et al.
D387,515 S 12/1997 Nottingham et al.
5,709,596 A 1/1998 Alexander et al.
D392,778 S 3/1998 McCracken
D411,424 S 6/1999 Saito
D414,666 S 10/1999 Cortes
D416,112 S 11/1999 Holliday et al.
D418,263 S 12/1999 Rees
D418,264 S 12/1999 Rees
D418,642 S 1/2000 Rees
6,120,362 A 9/2000 Etter et al.

D431,437 S 10/2000 Niwa et al.
D432,744 S 10/2000 Schuda et al.
6,132,301 A * 10/2000 Kaiser 451/450
D434,296 S 11/2000 Ogasawara
D443,397 S * 6/2001 Williams D32/19
D447,397 S 9/2001 Netzler
D452,638 S * 1/2002 Chen D8/62
D452,805 S * 1/2002 Chen D8/62
6,386,961 B1 5/2002 Cureton
6,394,884 B1 5/2002 Wuensch
6,454,640 B1 9/2002 Siedler et al.

(Continued)

OTHER PUBLICATIONS

www.eastwoodco.com.
www.brookstone.com.
www.topoftheline.com.
www.canadiantire.ca.

Primary Examiner—Louis S. Zarfaz
Assistant Examiner—Kathleen Sims
(74) *Attorney, Agent, or Firm*—Alston & Bird LLP

(57) **CLAIM**

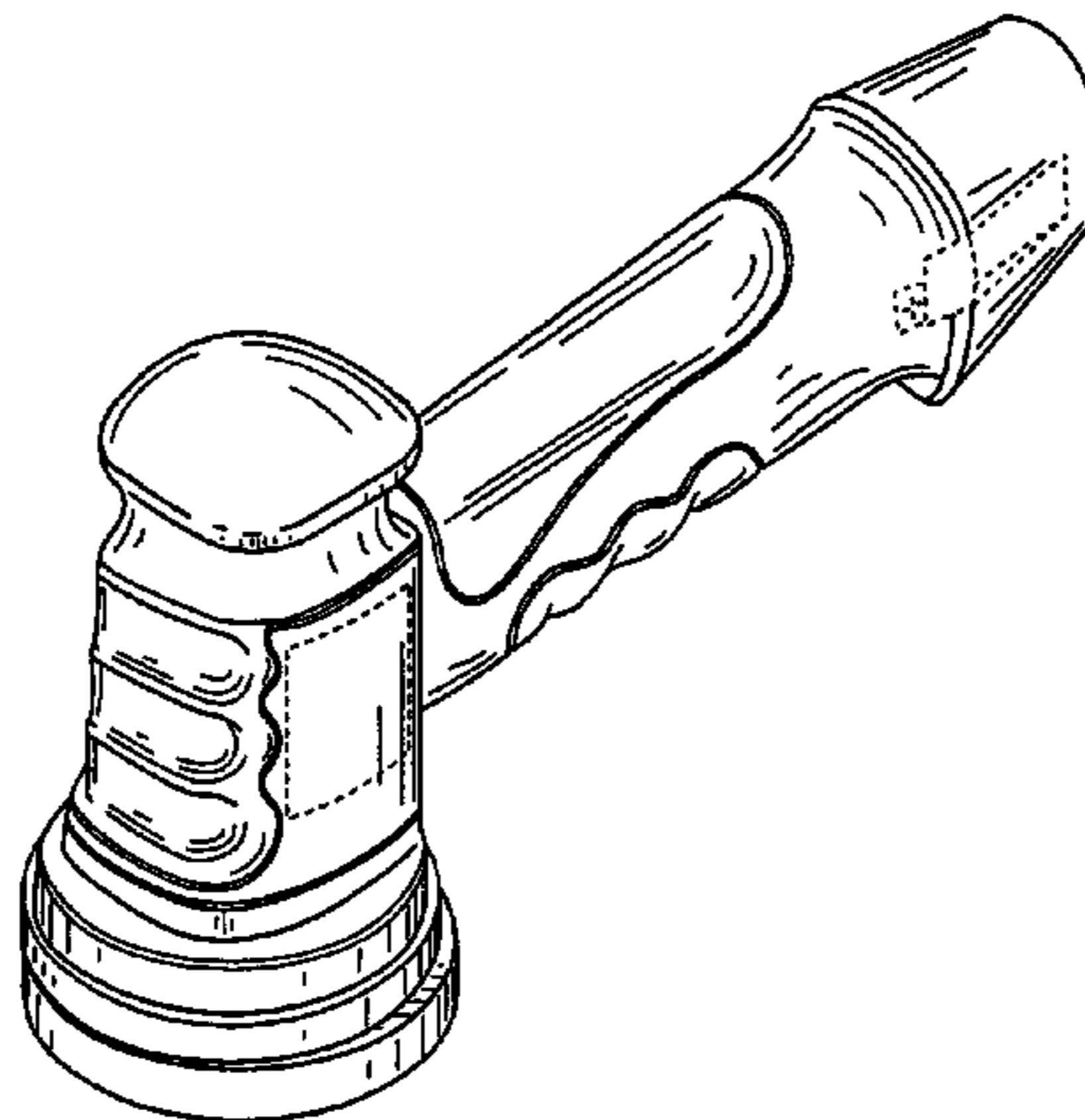
The ornamental design for a polisher with handgrip, as shown and described.

DESCRIPTION

FIG. 1 is a perspective view of a polisher with handgrip according to the present design;
FIG. 2 is a left side elevation view of the polisher with handgrip shown in FIG. 1;
FIG. 3 is a front elevation view of the polisher with handgrip shown in FIG. 1;
FIG. 4 is a rear elevation view of the polisher with handgrip shown in FIG. 1;
FIG. 5 is a top plan view of the polisher with handgrip shown in FIG. 1; and,
FIG. 6 is a bottom plan view of the polisher with handgrip shown in FIG. 1.

The broken lines shown herein are for illustrative purposes only and form no part of the claimed design.

1 Claim, 6 Drawing Sheets



US D525,752 S

Page 2

U.S. PATENT DOCUMENTS

D465,074 S	10/2002	McCracken et al.	D475,263 S	6/2003	Andriolo	
D466,776 S	12/2002	Hsiao	D475,489 S *	6/2003	McLelland	D32/15
D468,177 S	1/2003	Goto	D475,818 S	6/2003	Krieger et al.	
D468,179 S	1/2003	Hayakawa et al.	D475,908 S	6/2003	Boyer	
D468,609 S	1/2003	Goto	D476,119 S	6/2003	Boyer et al.	
D469,933 S	2/2003	Liang-Ming	D478,488 S	8/2003	Bruno et al.	
D470,278 S	2/2003	Liang-Ming	D479,452 S	9/2003	Cho	
D471,329 S *	3/2003	Heun	D479,969 S	9/2003	Robson et al.	
D471,681 S	3/2003	Krieger et al.	2004/0203330 A1 *	10/2004	Kleider	451/359

* cited by examiner

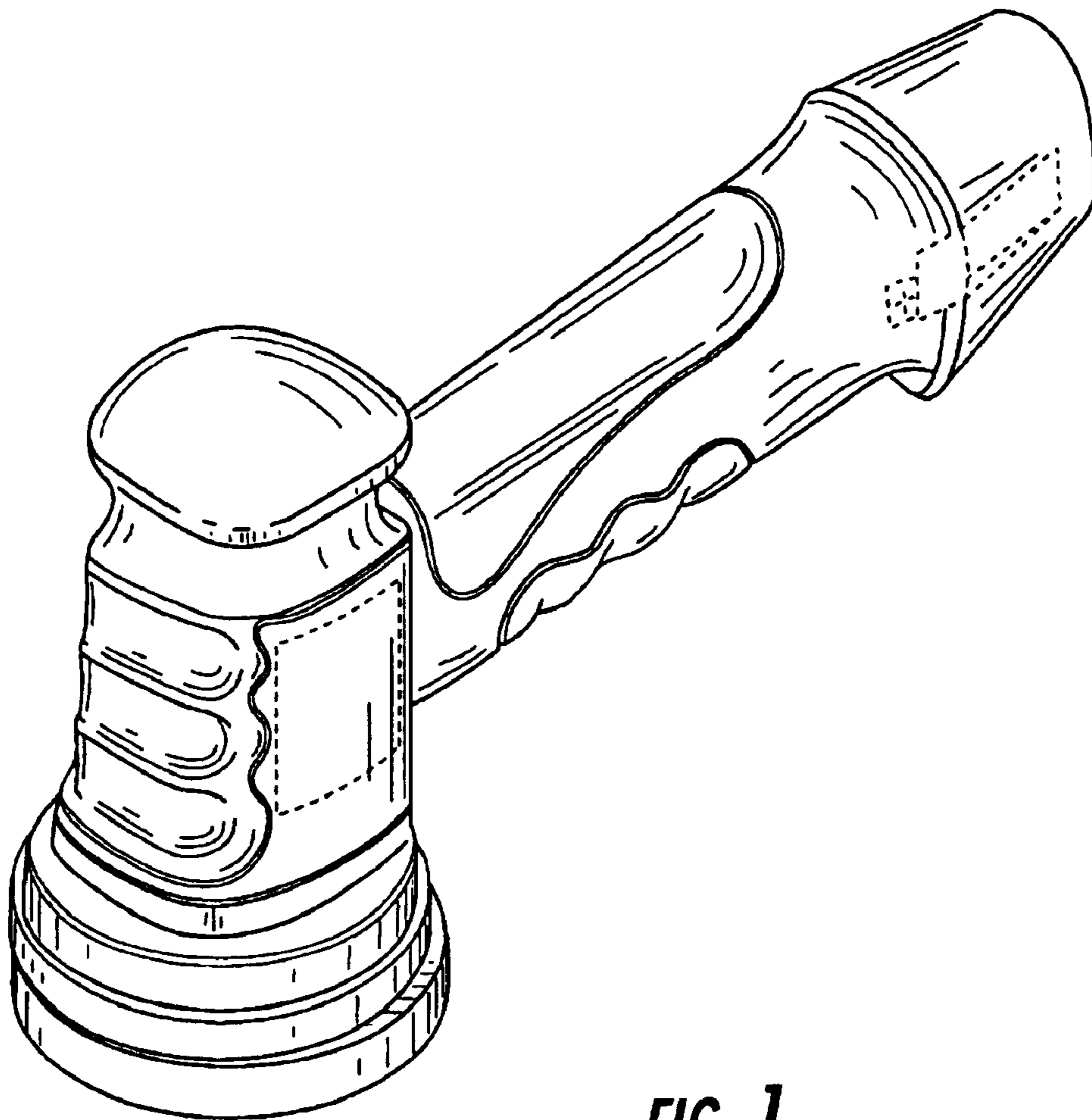


FIG. 1

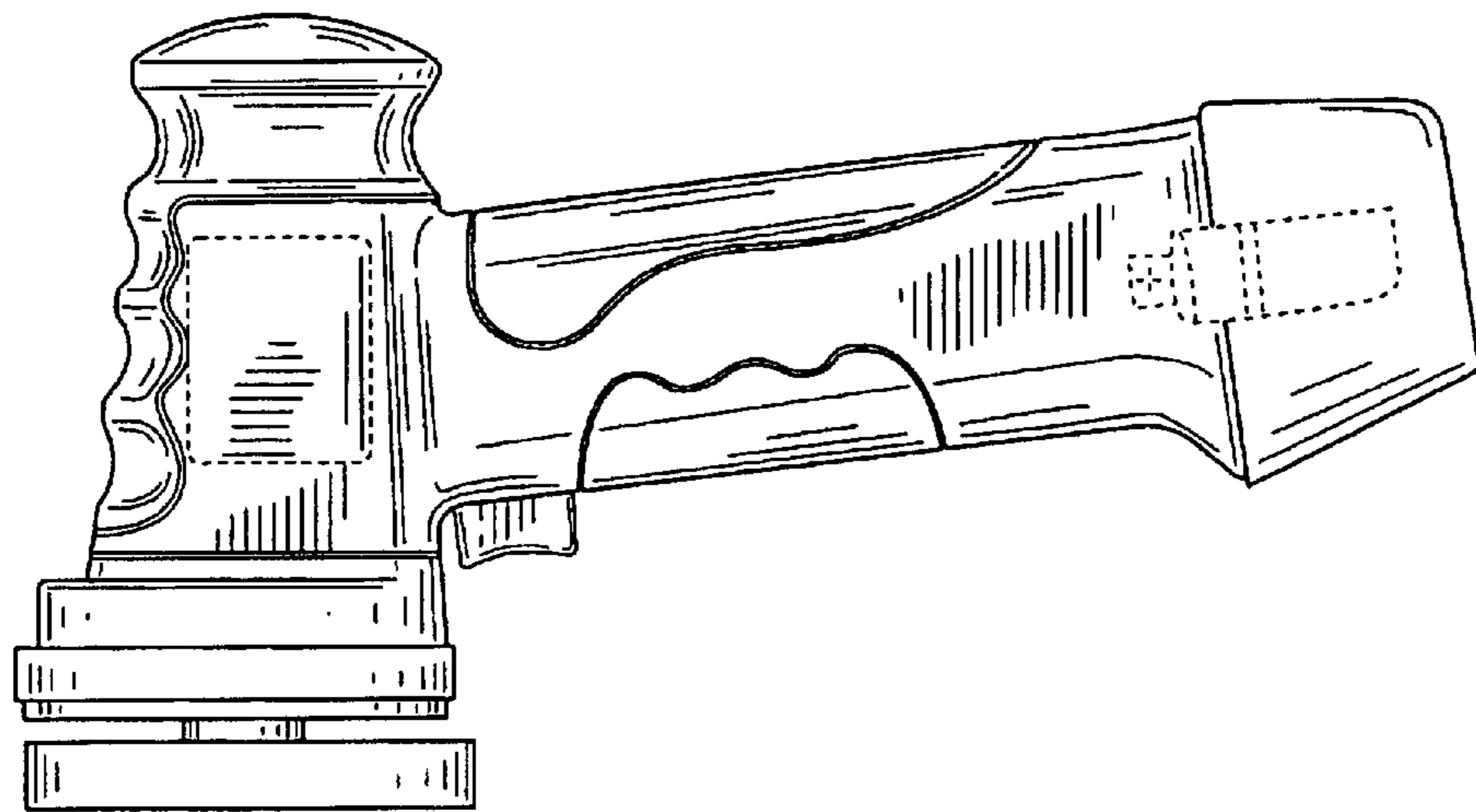


FIG. 2

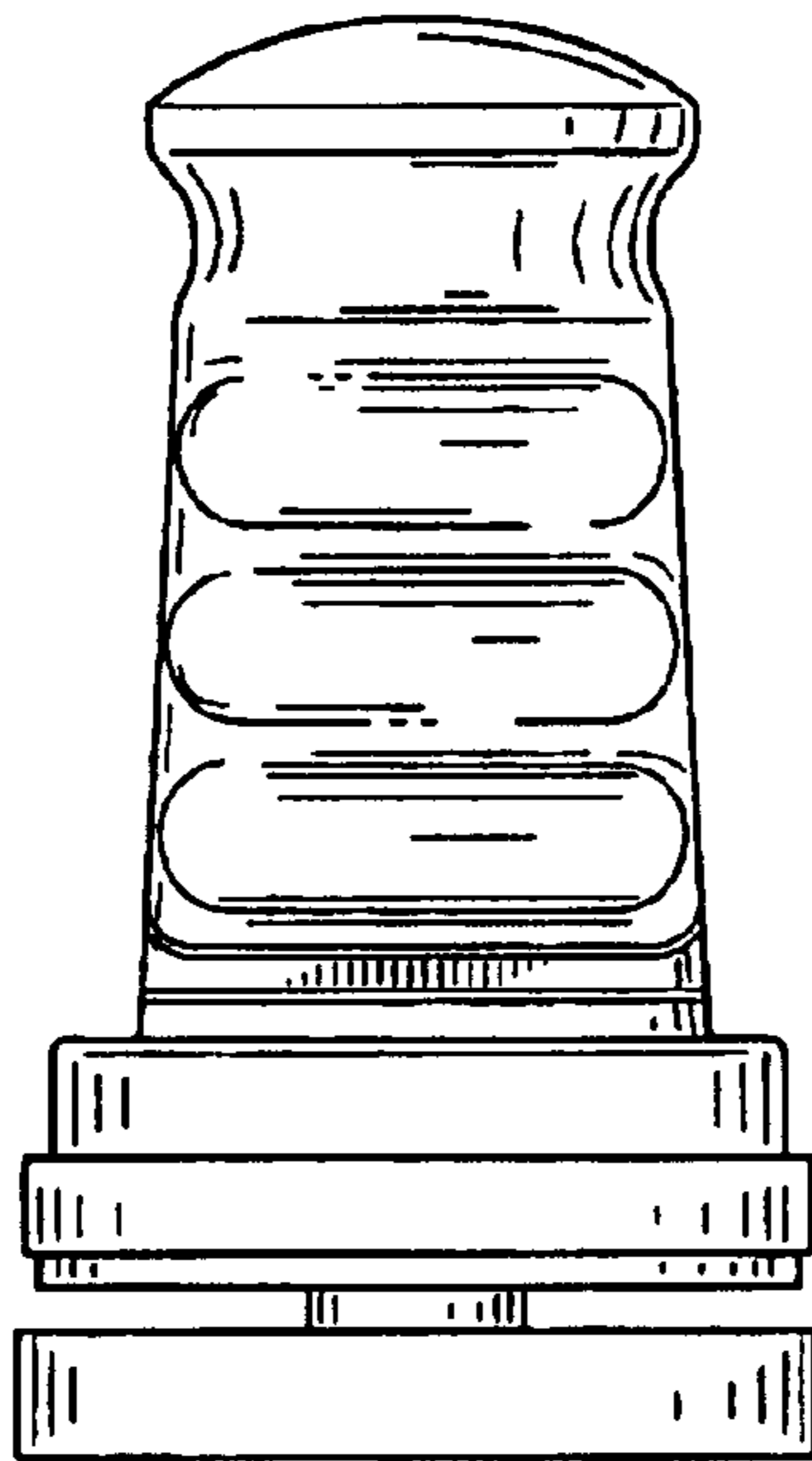


FIG. 3

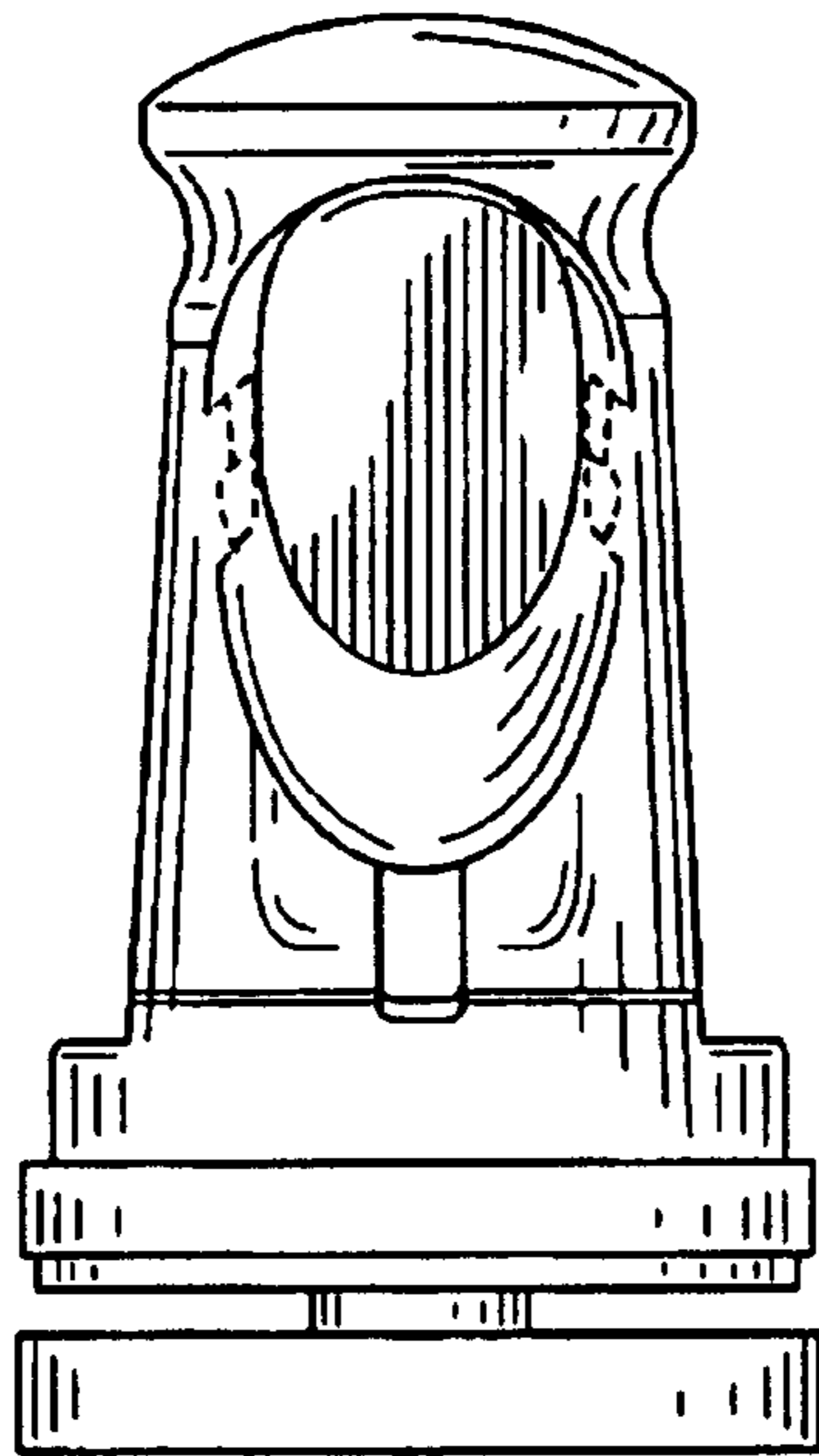


FIG. 4

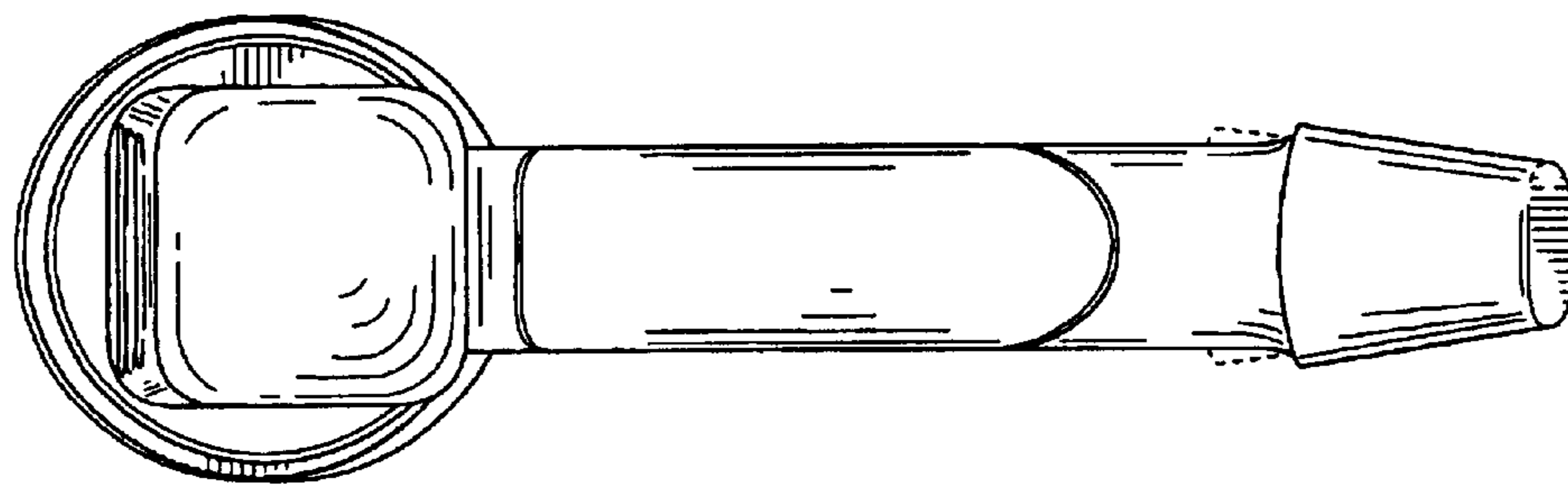


FIG. 5

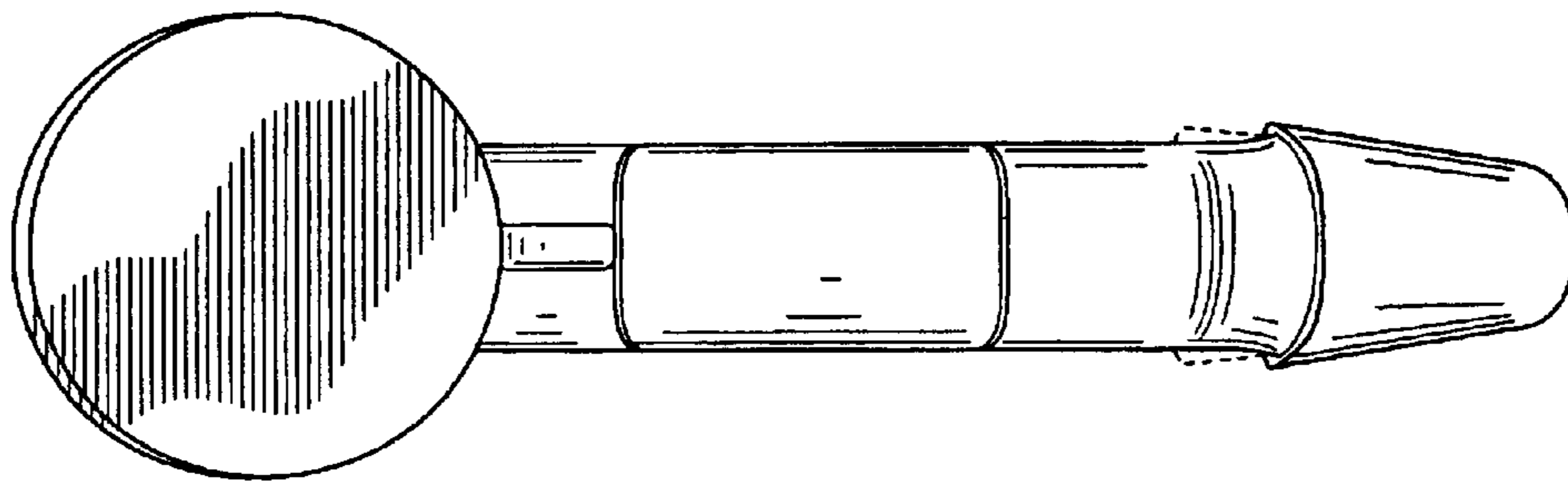


FIG. 6