



US00D525749S

(12) **United States Design Patent**  
**Manzo et al.**

(10) **Patent No.: US D525,749 S**

(45) **Date of Patent: \*\* \*Jul. 25, 2006**

(54) **MOUTHGUARD**

(75) Inventors: **Joseph S. Manzo**, Lansdale, PA (US);  
**Edward M. Bachurski**, Radnor, PA (US)

(73) Assignee: **Brain-Pad, Inc.**, Coshohocken, PA (US)

(\*) Notice: This patent is subject to a terminal disclaimer.

(\*\*) Term: **14 Years**

4,977,905 A	*	12/1990	Kittelsen et al. ....	128/861
5,092,346 A		3/1992	Hays	
5,117,816 A		6/1992	Shapiro	
5,277,202 A		1/1994	Hays	
5,636,379 A		6/1997	Williams	
D382,965 S	*	8/1997	Wagner .....	D29/108
D406,405 S	*	3/1999	Yoshida .....	D29/108
D434,501 S		11/2000	Redhage	
D452,011 S		12/2001	Redhage	
D473,976 S	*	4/2003	Wilkens .....	D29/108
D493,578 S	*	7/2004	Manzo et al. ....	D29/108
D500,895 S	*	1/2005	Manzo et al. ....	D29/108
D504,744 S	*	5/2005	Hidalgo et al. ....	D29/108
D509,028 S	*	8/2005	Farrell .....	D29/108

\* cited by examiner

(21) Appl. No.: **29/202,199**

(22) Filed: **Mar. 26, 2004**

(51) **LOC (8) Cl. .... 29-02**

(52) **U.S. Cl. .... D29/108**

(58) **Field of Classification Search** ..... D29/108,  
D29/122; D24/176, 180-181; 2/455, 9, 424-425;  
128/859, 848, 861-862; 602/902; 433/6  
See application file for complete search history.

*Primary Examiner*—Ruth McInroy

(74) *Attorney, Agent, or Firm*—John F. Letchford; Archer & Greiner, P.C.

(57) **CLAIM**

The ornamental design for a mouthguard, as shown and described.

**DESCRIPTION**

FIG. 1 is top plan view of a mouthguard showing our new design;

FIG. 2 is bottom plan view of a mouthguard showing our new design;

FIG. 3 is front elevational view of a mouthguard showing our new design;

FIG. 4 is rear elevational view of a mouthguard showing our new design; and,

FIG. 5 is left side elevational view of a mouthguard showing our new design, the right side being a mirror image.

(56) **References Cited**

**U.S. PATENT DOCUMENTS**

1,674,336 A	6/1928	King	
2,521,039 A	9/1950	Carpenter	
2,590,118 A	3/1952	Oddo, Jr.	
2,966,908 A	1/1961	Cathcart et al.	
3,312,218 A	* 4/1967	Jacobs .....	128/862
3,457,916 A	* 7/1969	Wolicki .....	128/862
D215,685 S	10/1969	Helmer	
D228,048 S	* 8/1973	Miller .....	D29/108
4,765,324 A	* 8/1988	Lake, Jr. ....	128/861
4,791,941 A	12/1988	Schaefer	
4,944,947 A	7/1990	Newman	

**1 Claim, 3 Drawing Sheets**

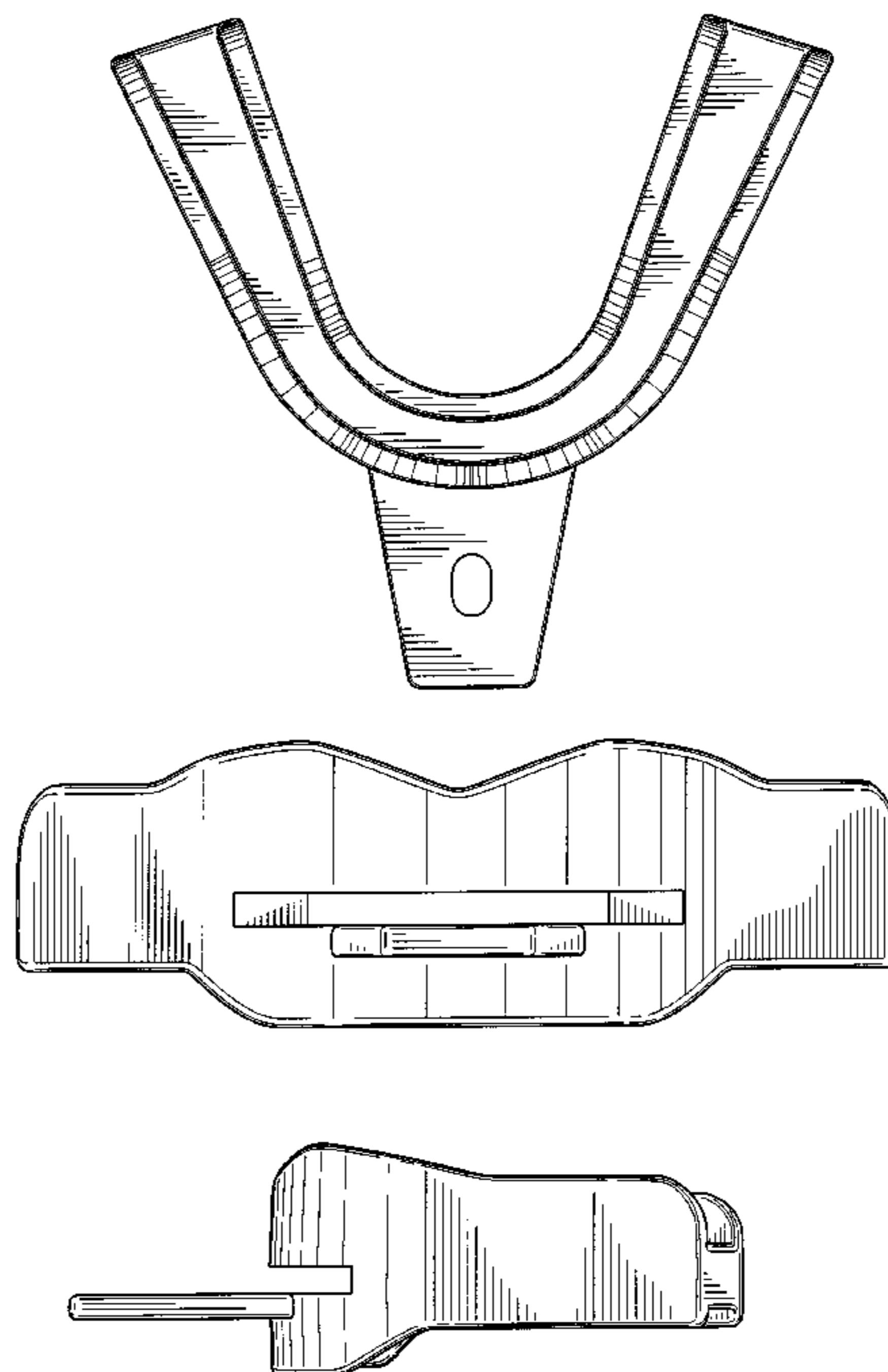


FIG. 1

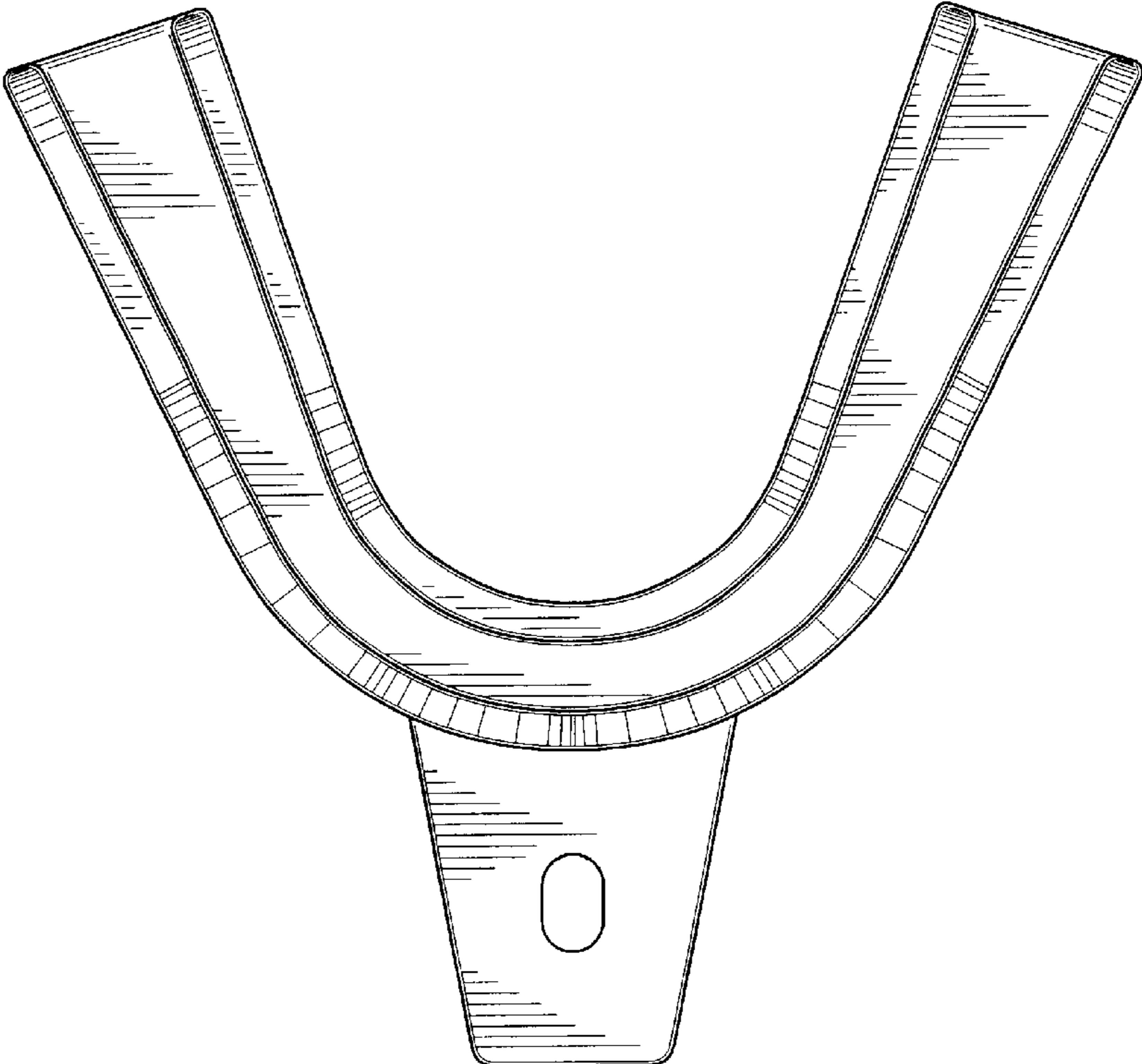
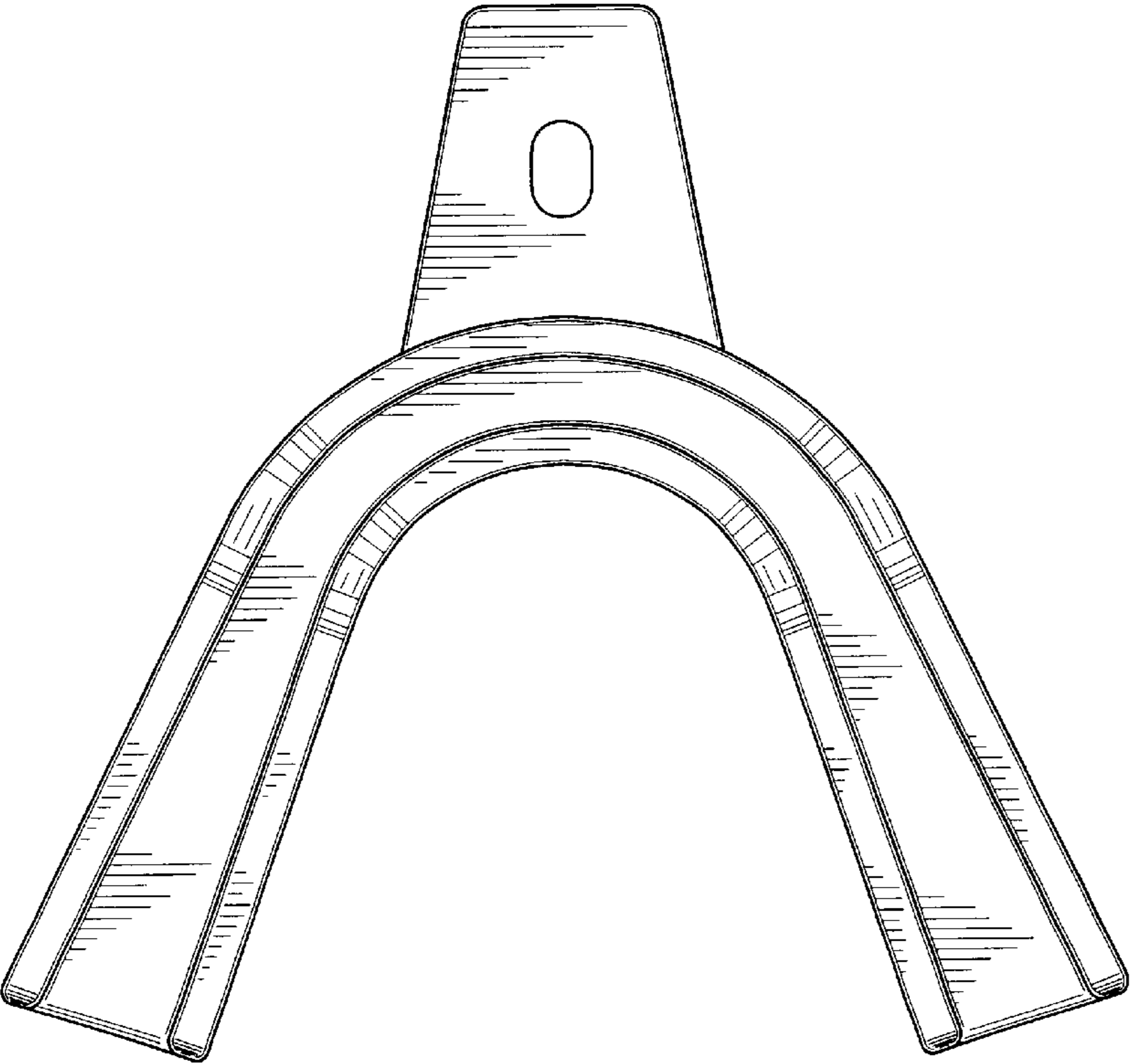


FIG. 2



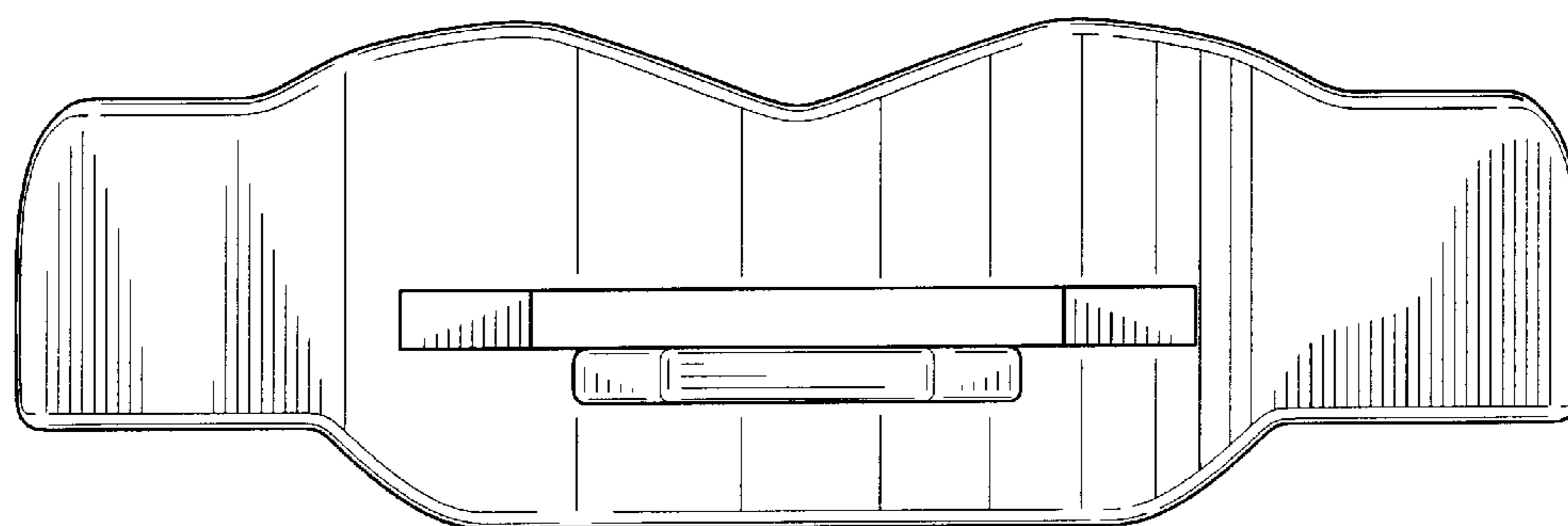


FIG. 3

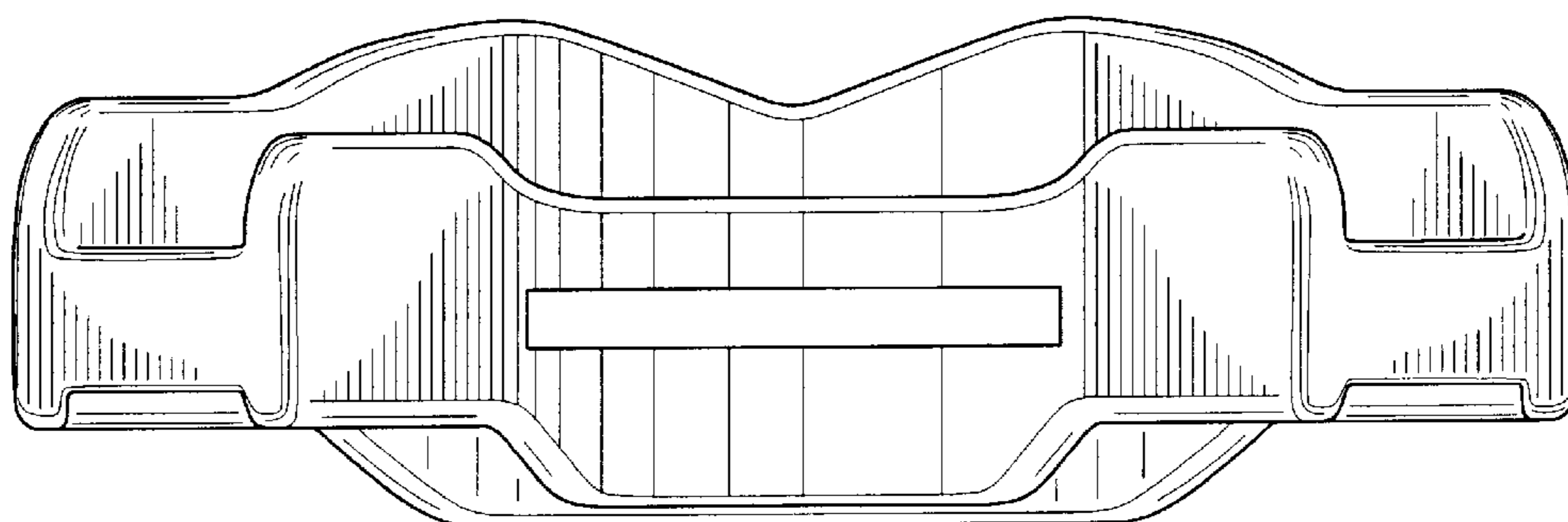


FIG. 4

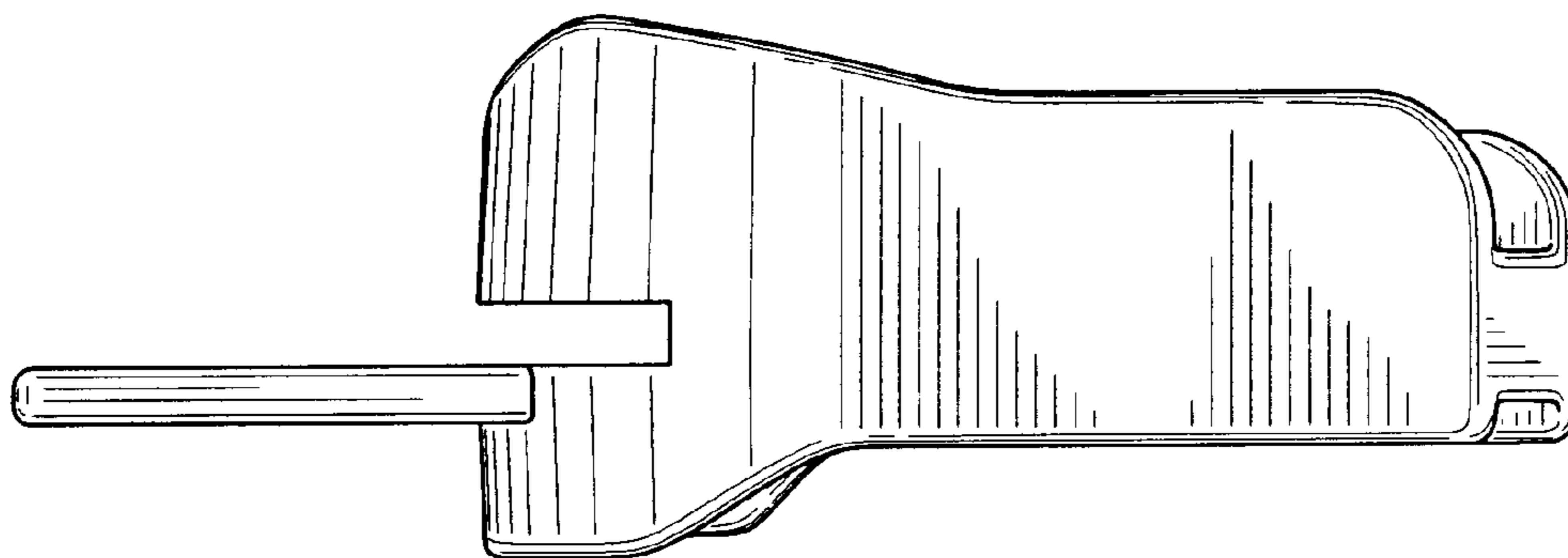


FIG. 5