



US00D525748S

(12) **United States Design Patent**  
**Colne**

(10) **Patent No.:** **US D525,748 S**

(45) **Date of Patent:** **\*\* Jul. 25, 2006**

(54) **COSMETIC CASE**

(75) **Inventor:** **Isabelle Colne, Andilly (FR)**

(73) **Assignee:** **L'ancome Parfumes et Beaute & Cie,**  
**Paris (FR)**

(\*\*) **Term:** **14 Years**

(21) **Appl. No.:** **29/214,847**

(22) **Filed:** **Oct. 7, 2004**

(30) **Foreign Application Priority Data**

Apr. 20, 2004 (EM) ..... 000164751

(51) **LOC (8) Cl.** ..... **28-03**

(52) **U.S. Cl.** ..... **D28/82**

(58) **Field of Classification Search** ..... D28/76,  
D28/77, 78, 81, 82; 132/293-307, 287; 220/4.22,  
220/4.27, 4.23, 345.4

See application file for complete search history.

(56) **References Cited**

**U.S. PATENT DOCUMENTS**

2,534,100	A	12/1950	Baumgartner	
3,833,143	A	9/1974	Starkermann et al.	
4,212,386	A	7/1980	Maisonneuve	
D268,618	S	4/1983	Napolitane	
4,898,195	A	2/1990	Sussman	
4,932,547	A	6/1990	Rodriguez	
5,163,457	A	11/1992	Lombardi, Jr.	
D396,329	S	* 7/1998	Litton	..... D28/82
5,836,319	A	11/1998	Lombardi	
D433,191	S	10/2000	Adachi et al.	
D436,693	S	1/2001	Thorpe et al.	
D437,664	S	2/2001	Thorpe et al.	

D438,346	S	2/2001	Thorpe et al.
D442,743	S	5/2001	Thorpe et al.
D442,744	S	5/2001	Goswell
6,363,947	B1	4/2002	Wu
D473,344	S	4/2003	Thorpe
D473,345	S	4/2003	Thorpe
D473,681	S	4/2003	Thorpe
D478,688	S	8/2003	Thorpe et al.
D478,689	S	8/2003	Thorpe
D479,366	S	9/2003	Goswell
D488,263	S	4/2004	Thorpe et al.

\* cited by examiner

*Primary Examiner*—Jennifer Rivard

(74) *Attorney, Agent, or Firm*—Knobbe, Martens, Olson & Bear LLP

(57) **CLAIM**

The ornamental design for a cosmetic case, as shown and described.

**DESCRIPTION**

FIG. 1 is a top plan view of a cosmetics case according to the new design;

FIG. 2 is a top plan view of the design shown in FIG. 1 with the top of the cosmetics case shown in an open position;

FIG. 3 is a bottom plan view of the design of FIG. 1;

FIG. 4 is a side elevational view of the design of FIG. 2; the other side view being a mirror image thereof;

FIG. 5 is a bottom plan view of the design of FIG. 2;

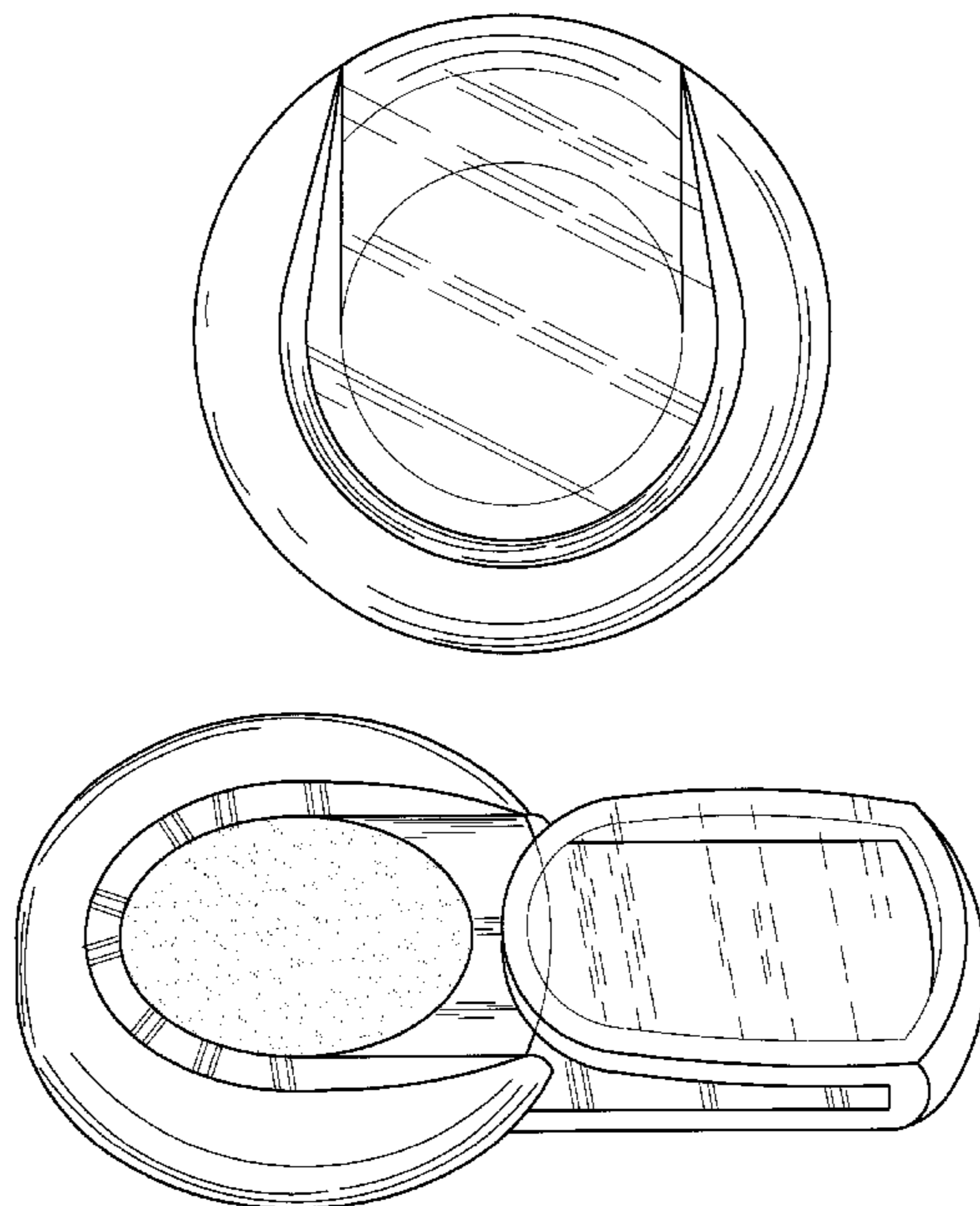
FIG. 6 is a rear perspective view of the design of FIG. 1;

FIG. 7 is a front perspective view of the design of FIG. 1;

FIG. 8 is a perspective view of the design of FIG. 1; and,

FIG. 9 is a perspective view of the design of FIG. 2.

**1 Claim, 7 Drawing Sheets**



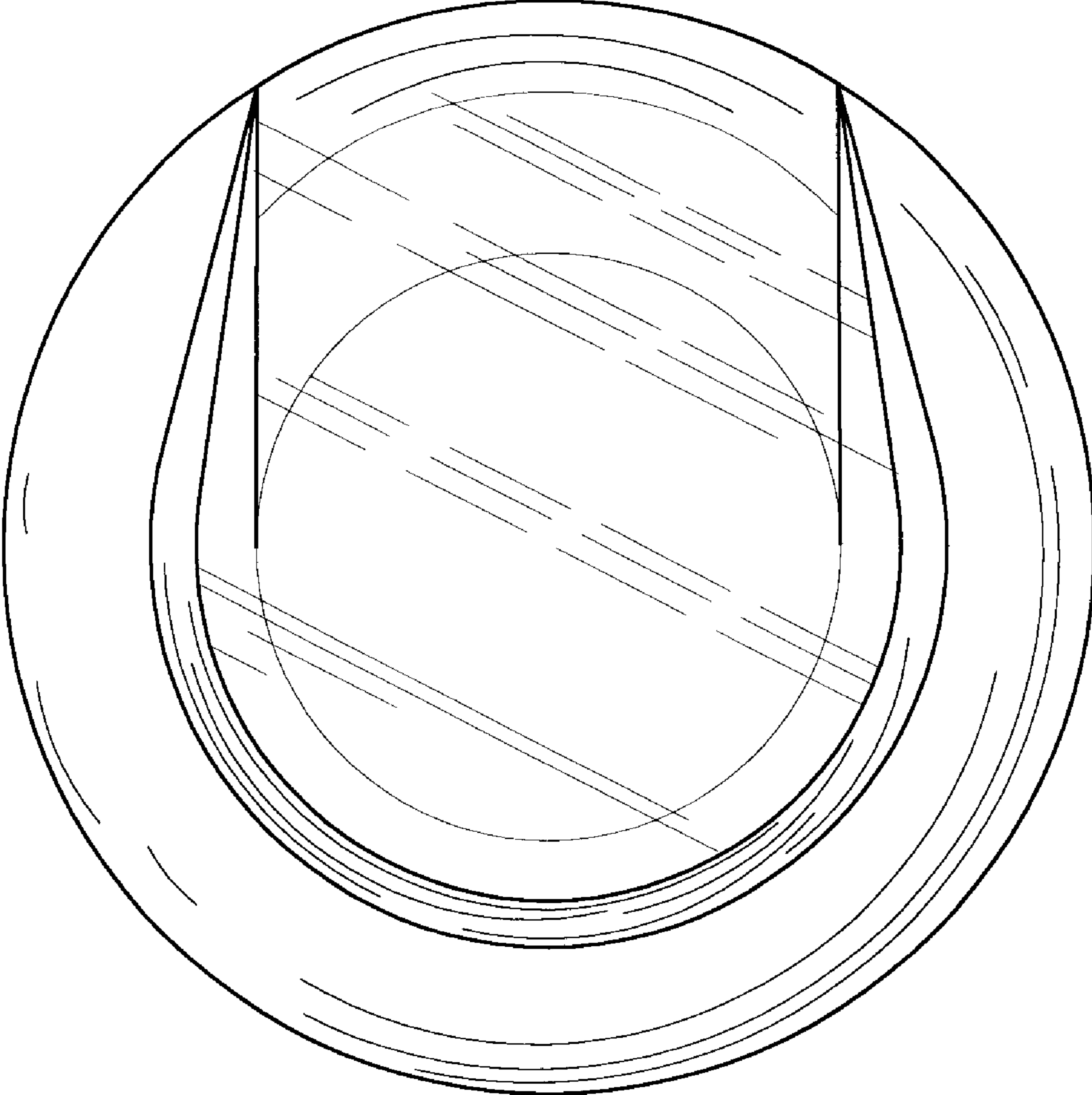


FIG. 1

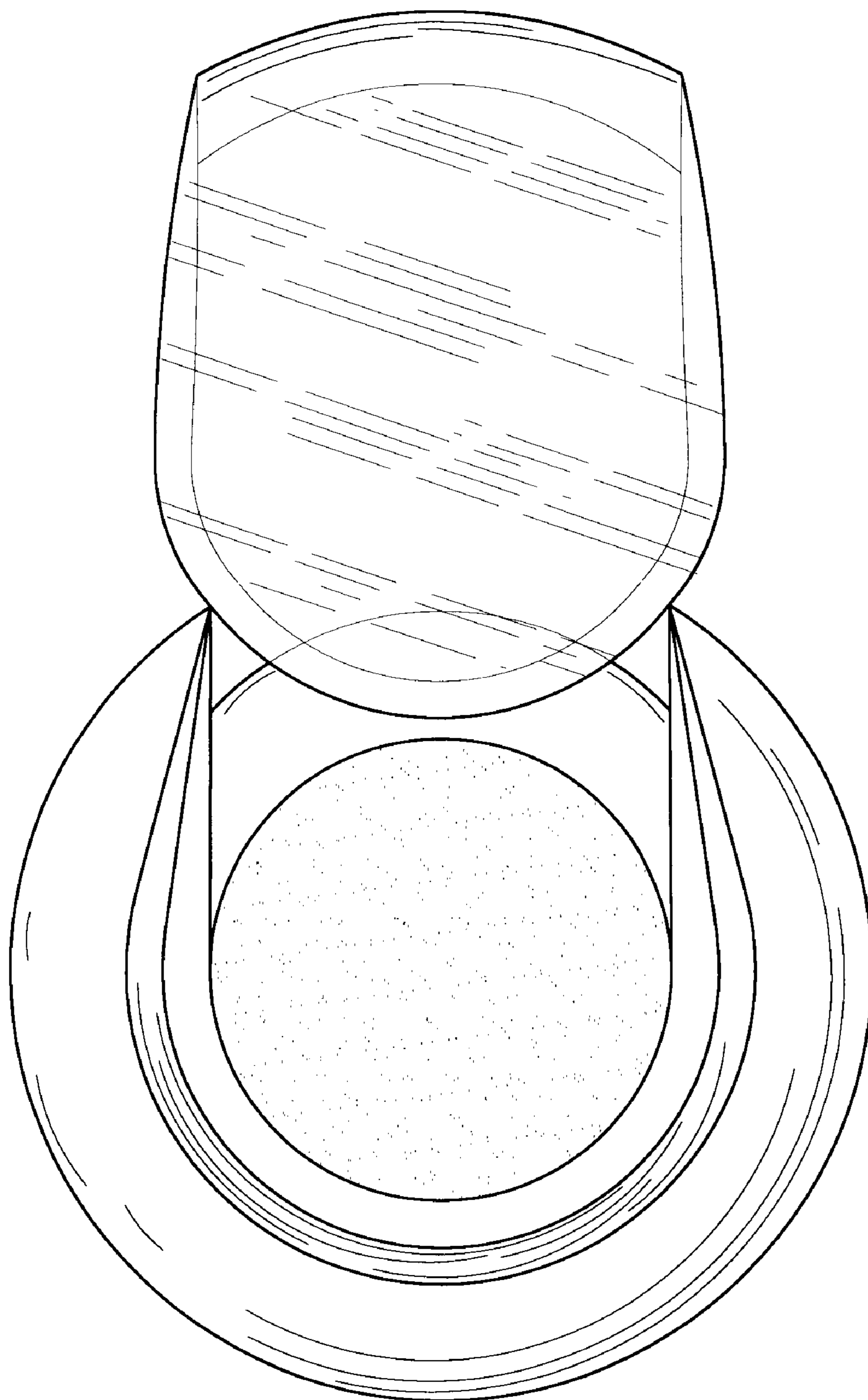


FIG. 2

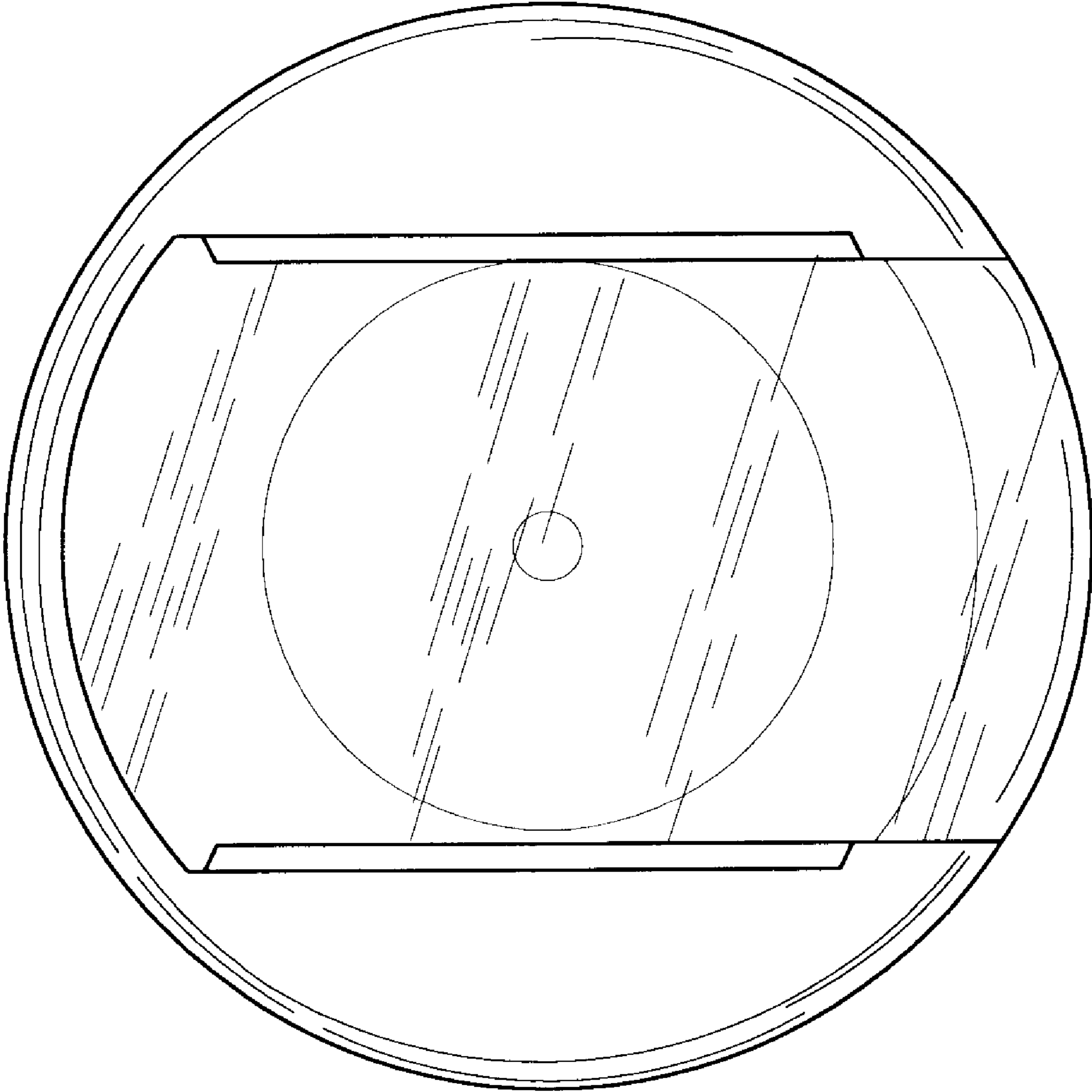


FIG. 3

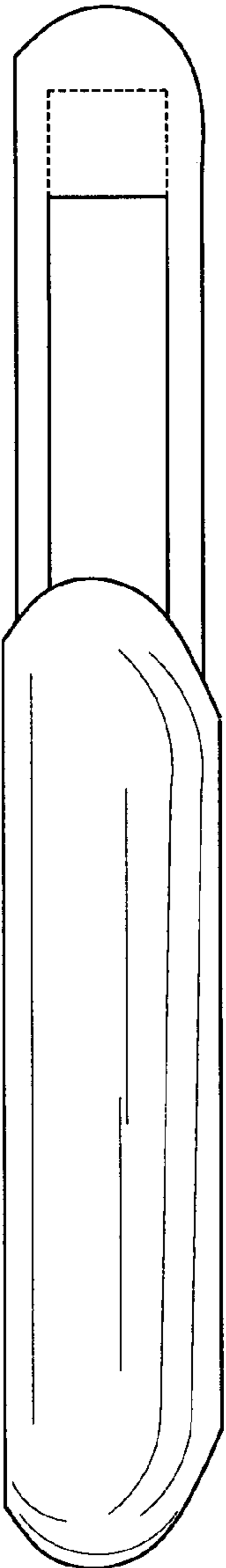


FIG. 4

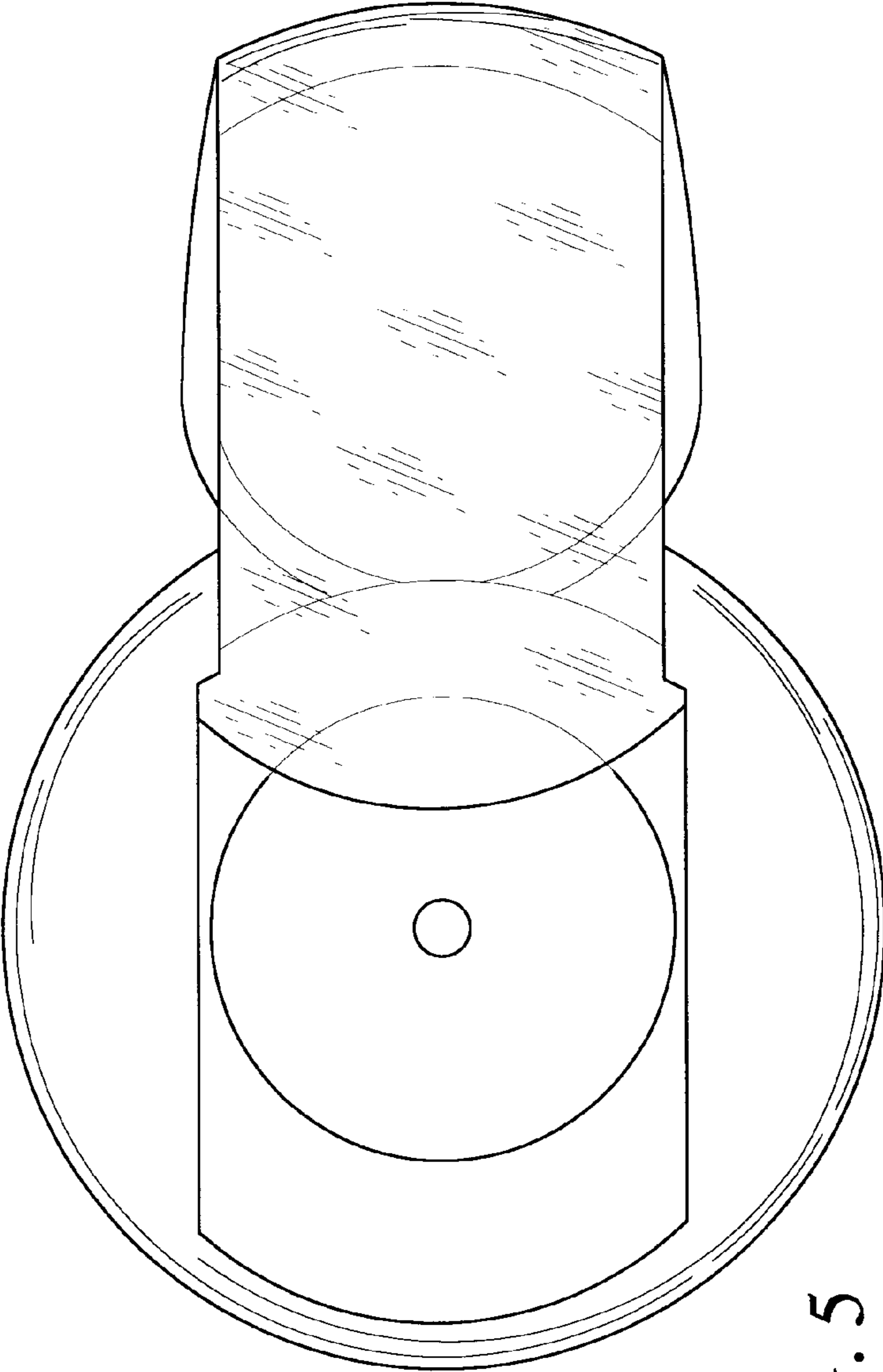


FIG. 5

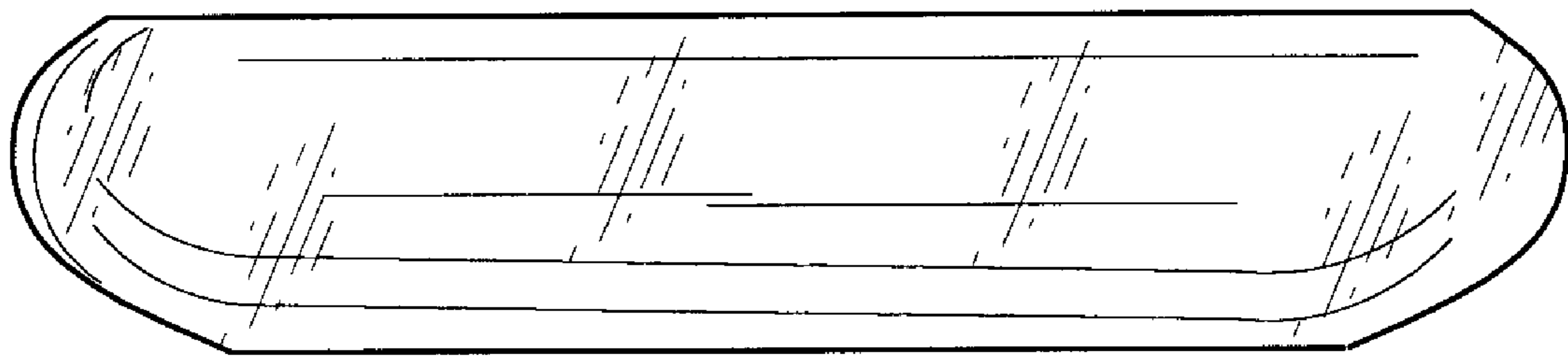


FIG. 6

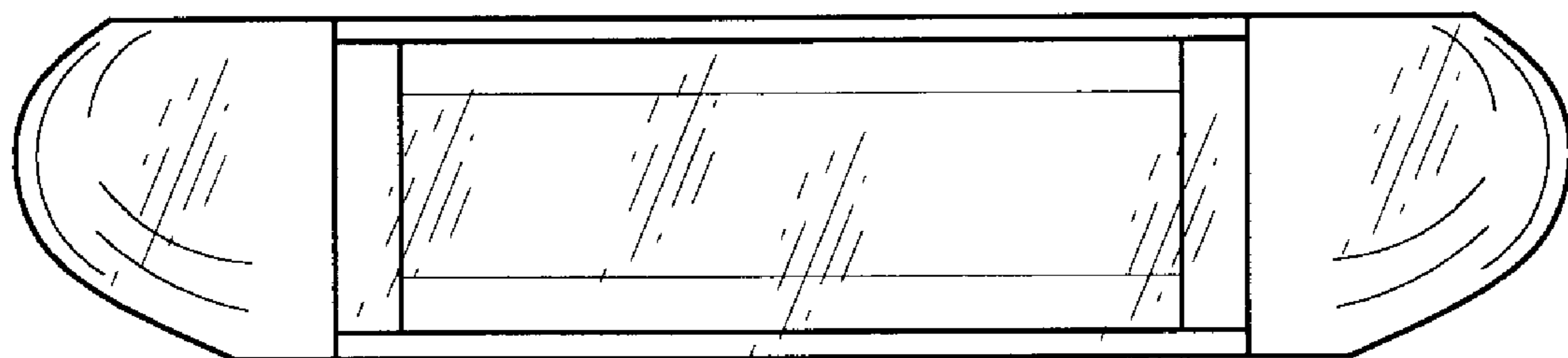


FIG. 7

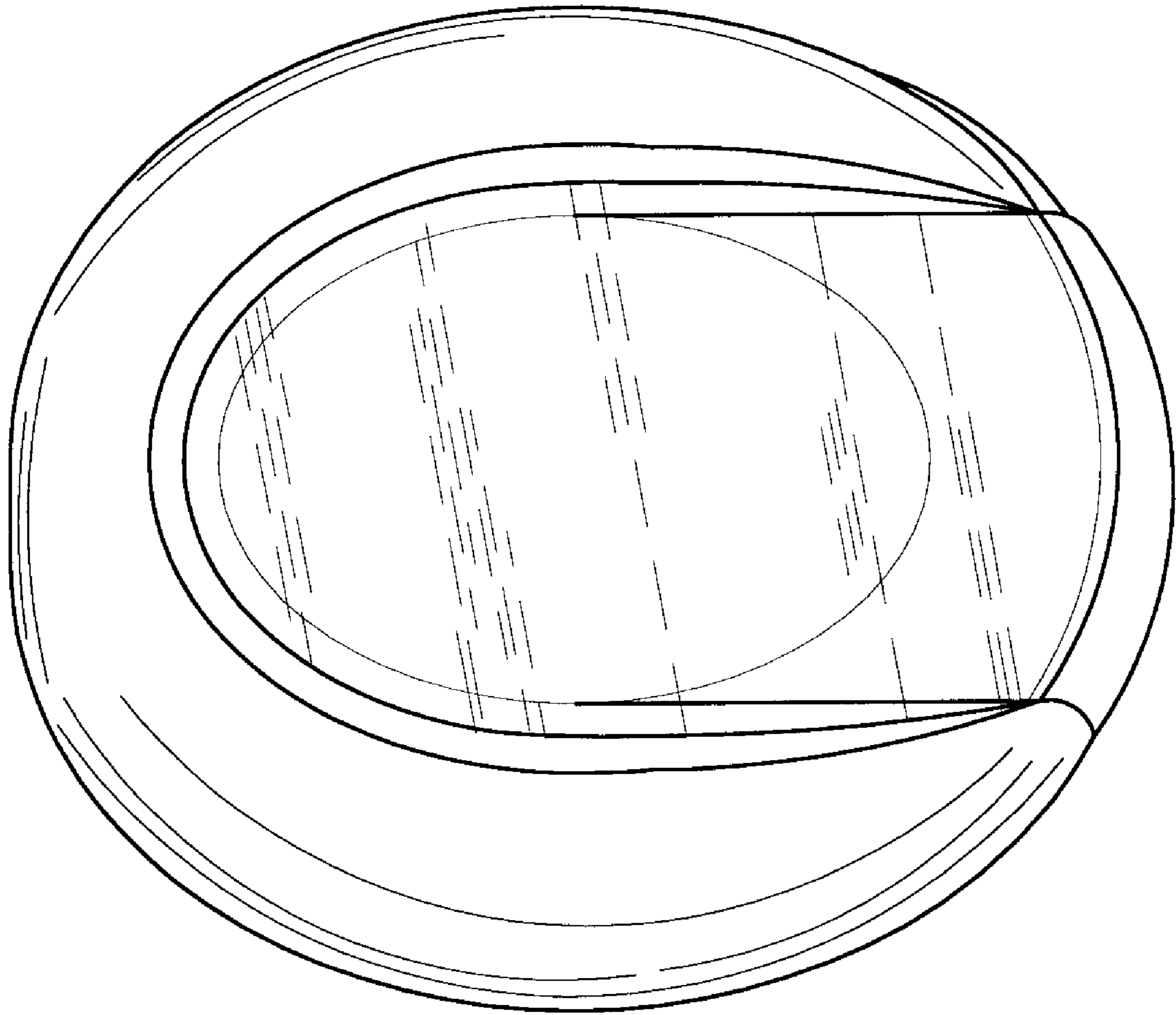


FIG. 8

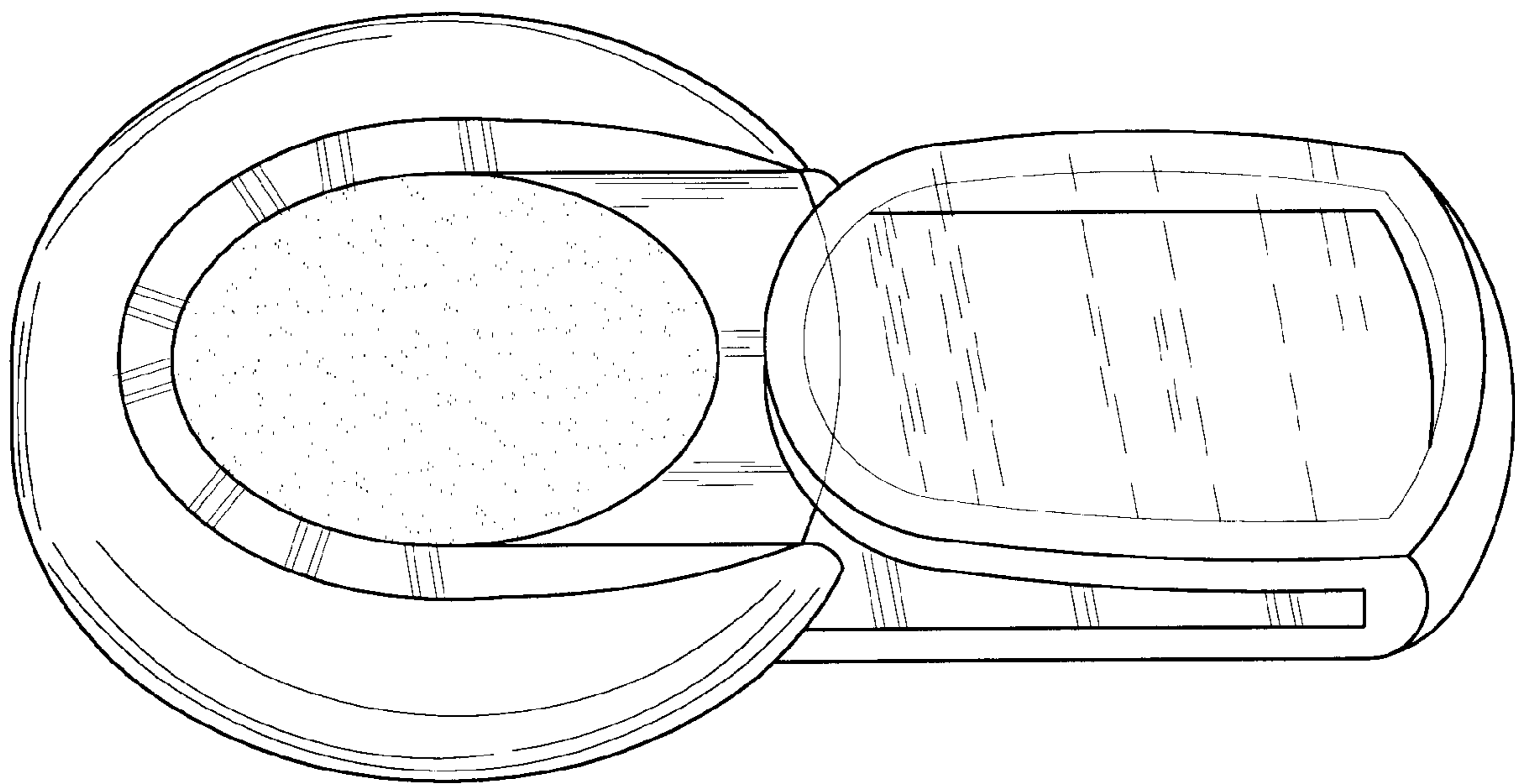


FIG. 9