

US00D525746S

(12) **United States Design Patent**  
**Liao**

(10) **Patent No.:** **US D525,746 S**

(45) **Date of Patent:** **\*\* Jul. 25, 2006**

(54) **BLADE HOLDER FOR HAIR CLIPPER**

(75) Inventor: **Yi-Tang Liao**, Taichung (TW)

(73) Assignee: **Jeng Shyuan Precision Co., Ltd.** (TW)

(\*\*) Term: **14 Years**

(21) Appl. No.: **29/218,629**

(22) Filed: **Nov. 26, 2004**

(30) **Foreign Application Priority Data**

May 27, 2004 (TW) ..... 9330314

(51) **LOC (8) Cl.** ..... **28-03**

(52) **U.S. Cl.** ..... **D28/54**

(58) **Field of Classification Search** ..... D30/34.1,  
D30/34.2, 34.05, 43, 43.1–43.9, 43.91, 43.92,  
D30/195, 201, 210, 216, 223–225, 233, 233.5;  
D28/44, 44.1, 49–54

See application file for complete search history.

(56) **References Cited**

**U.S. PATENT DOCUMENTS**

4,563,814 A \* 1/1986 Trichell et al. .... 30/225  
5,933,964 A \* 8/1999 Altamore ..... 30/195

6,308,415 B1 \* 10/2001 Sablatschan et al. .... 30/43.92  
6,421,922 B1 \* 7/2002 Beutel et al. .... 30/216  
2005/0011076 A1 \* 1/2005 Andis ..... 30/223

\* cited by examiner

*Primary Examiner*—Jennifer Rivard

(74) *Attorney, Agent, or Firm*—Browdy and Neimark, PLLC

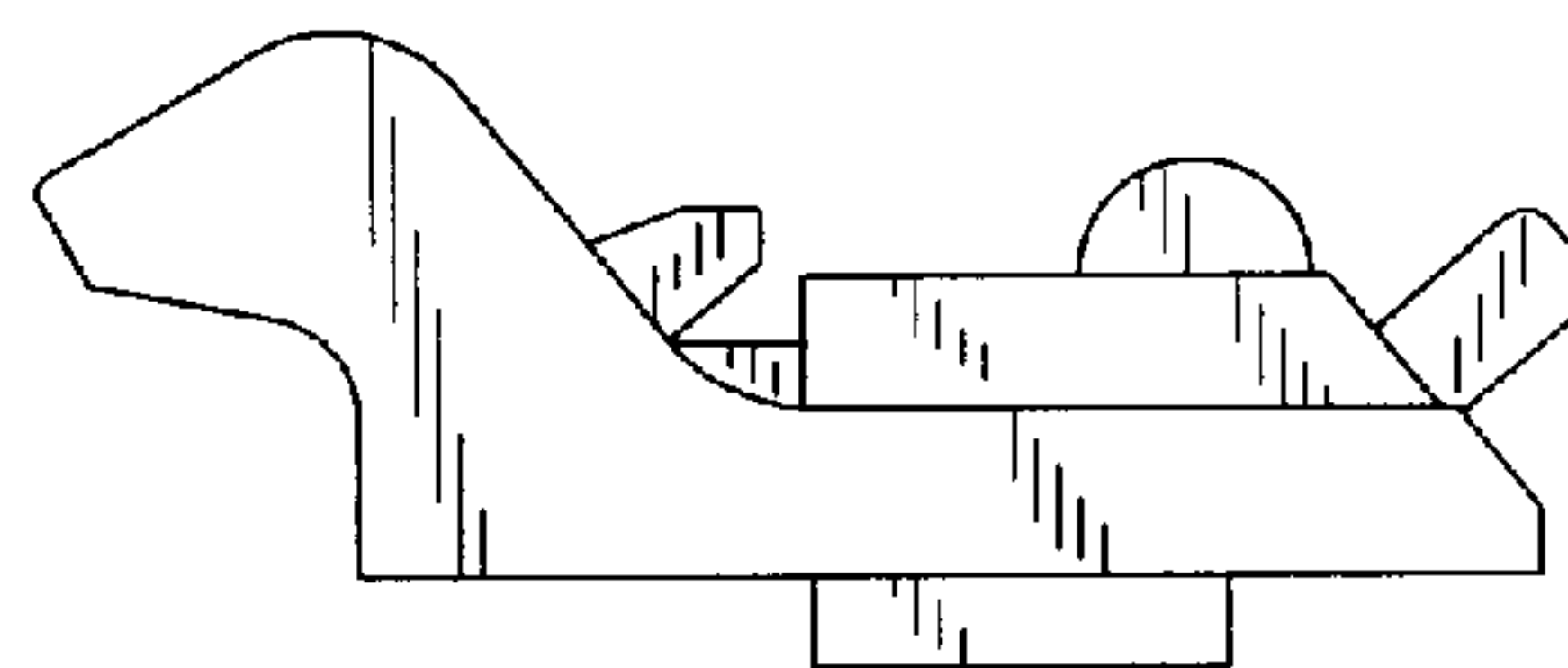
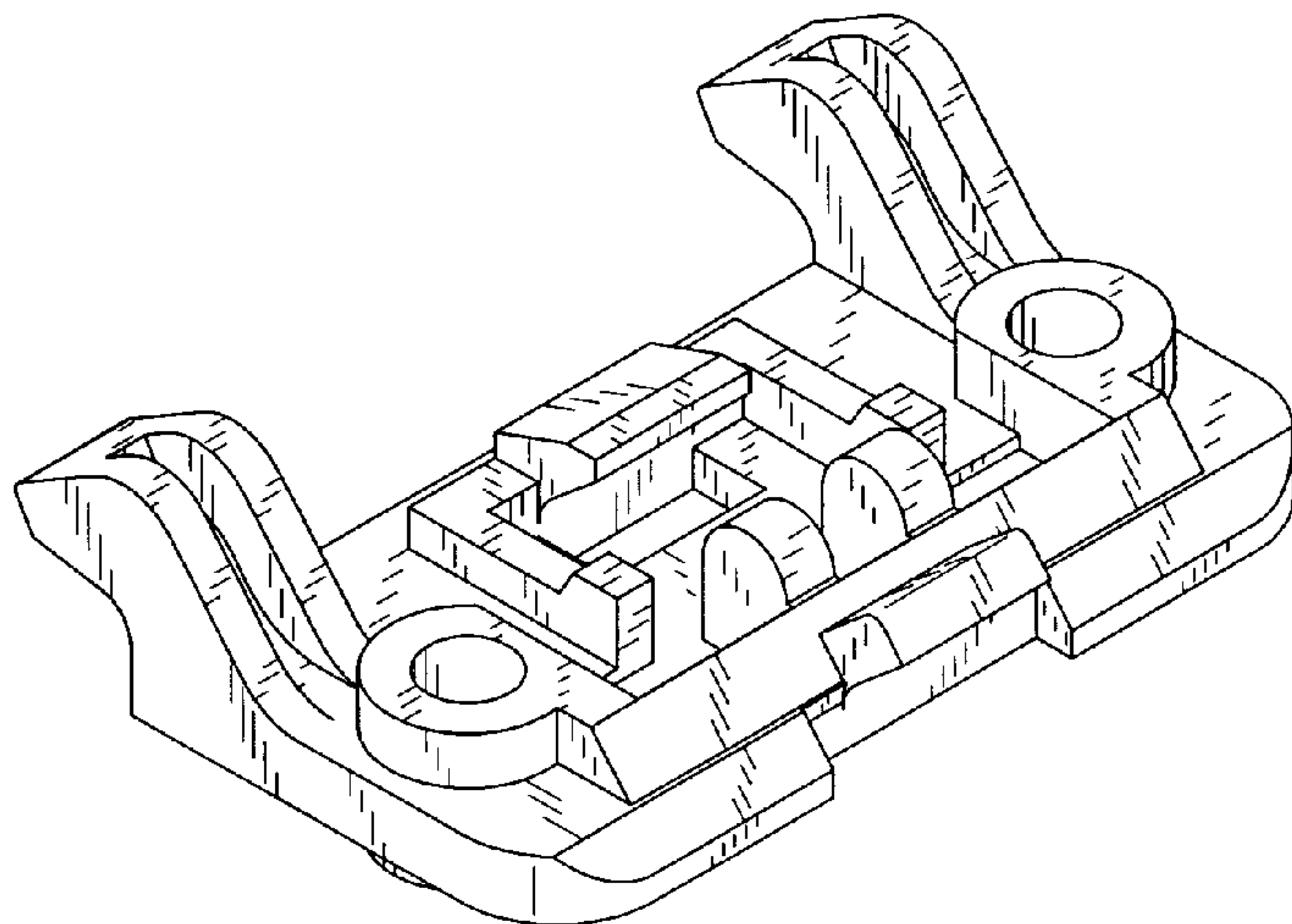
(57) **CLAIM**

The ornamental design for a blade holder for hair clipper, as shown and described.

**DESCRIPTION**

FIG. 1 shows a perspective view of the present design.  
FIG. 2 shows a right side elevational view of the present design.  
FIG. 3 shows a top plan view of the present design.  
FIG. 4 shows a front elevational view of the present design.  
FIG. 5 shows a bottom plan view of the present design.  
FIG. 6 shows a left side elevational view of the present design; and,  
FIG. 7 shows a rear elevational view of the present design.  
The broken lines are shown for illustrative purposes only and form no part of the claimed design.

**1 Claim, 4 Drawing Sheets**



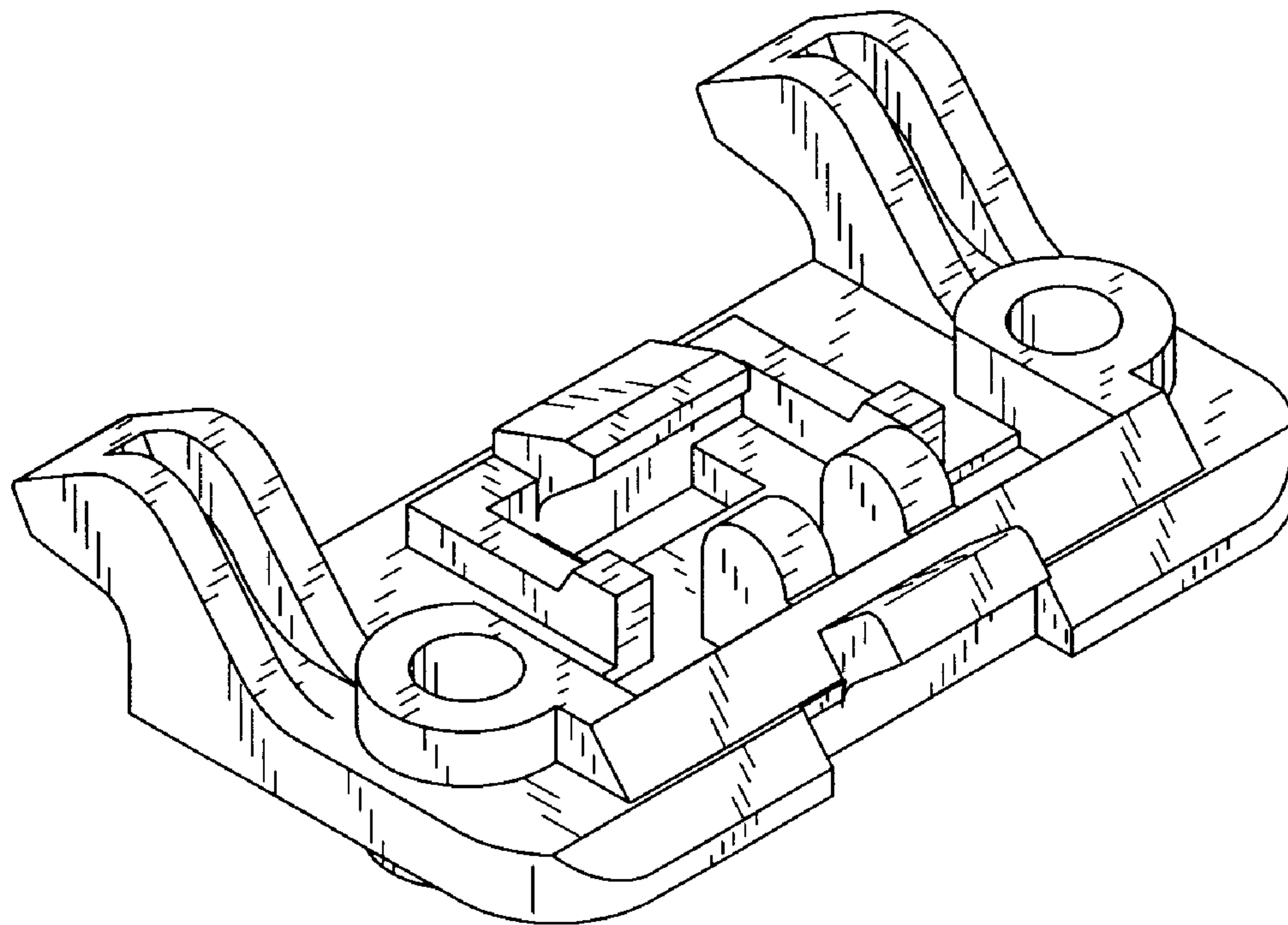


FIG. 1

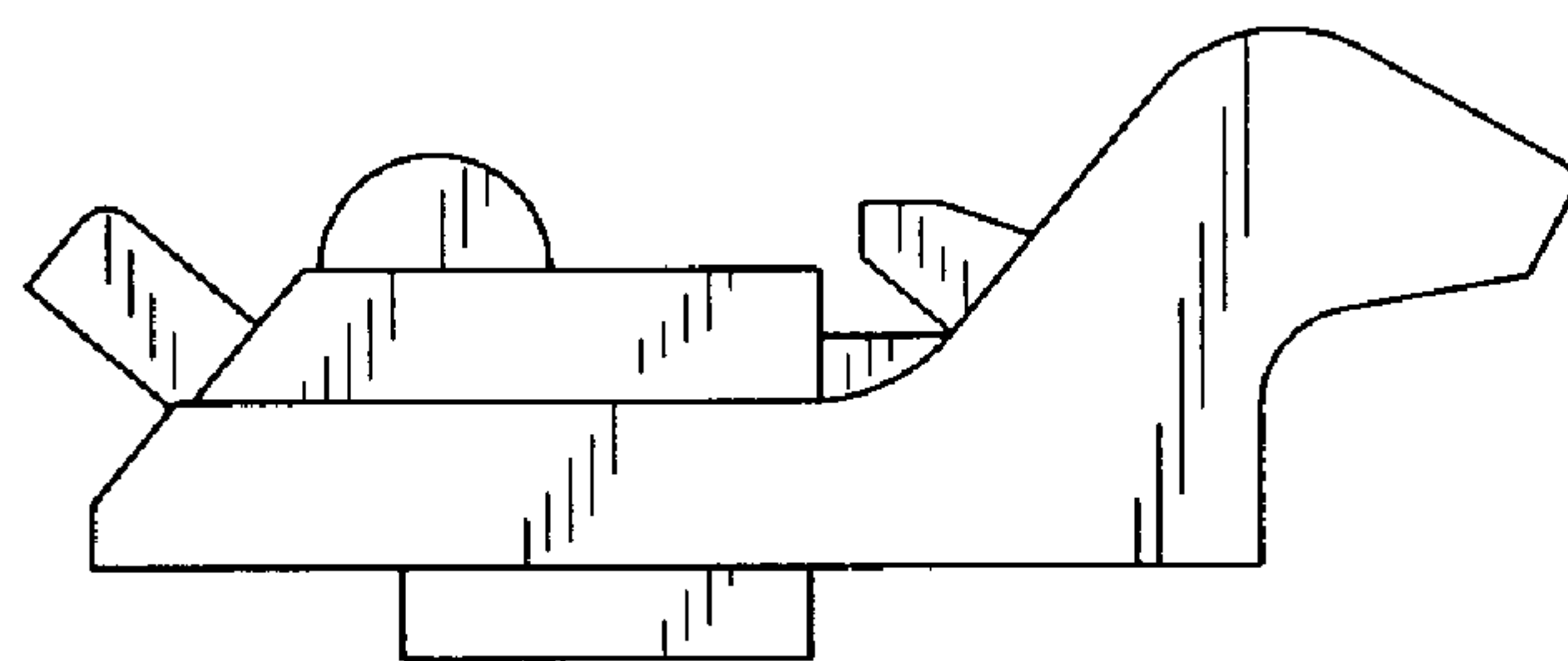


FIG. 2

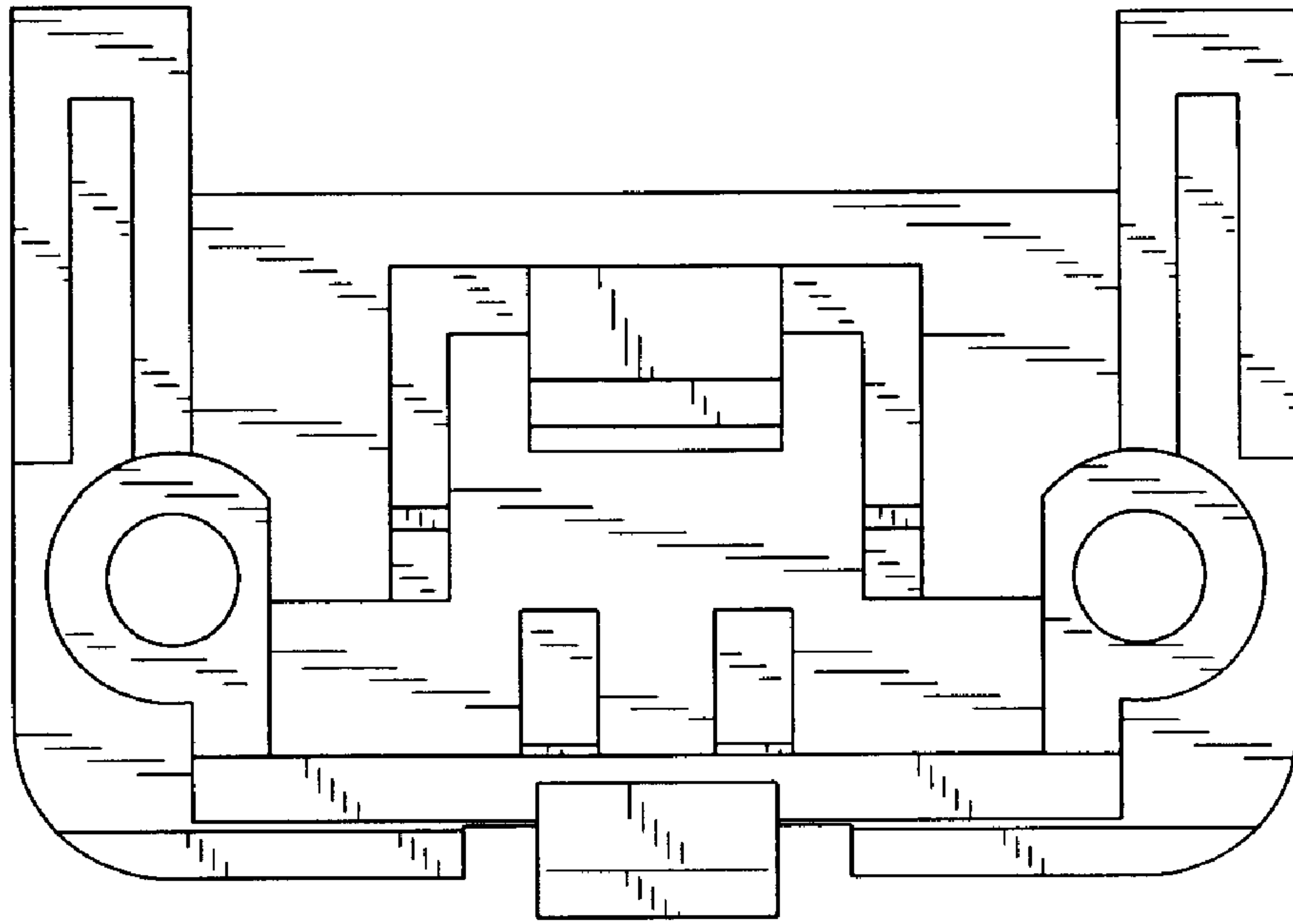


FIG. 3

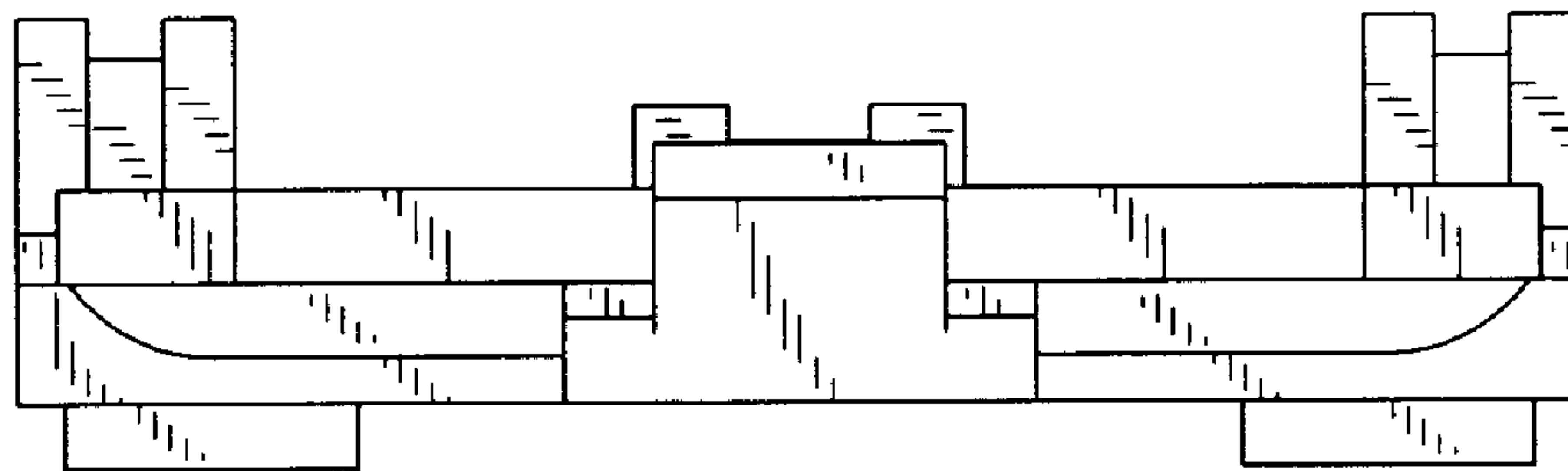


FIG. 4

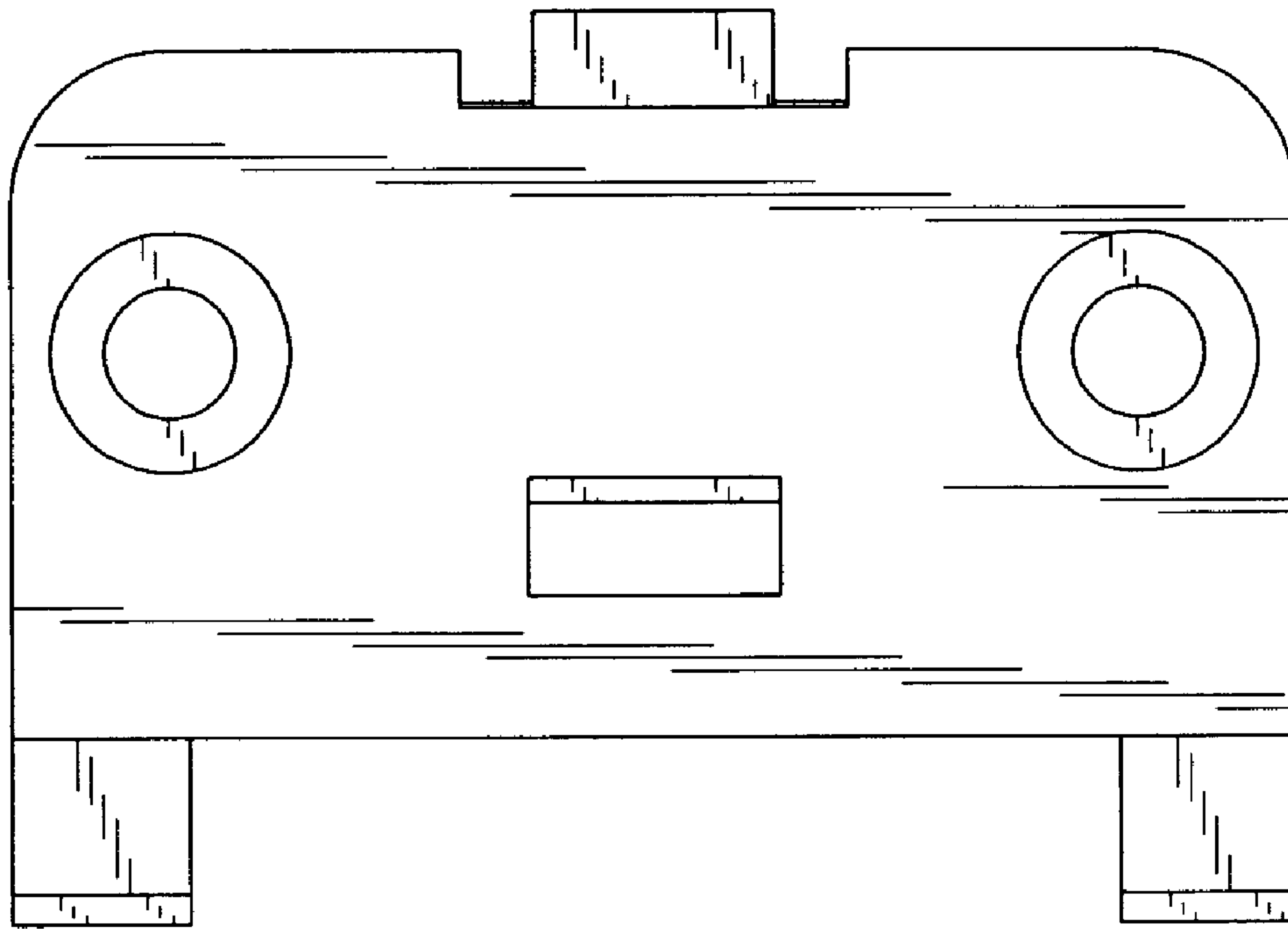


FIG. 5

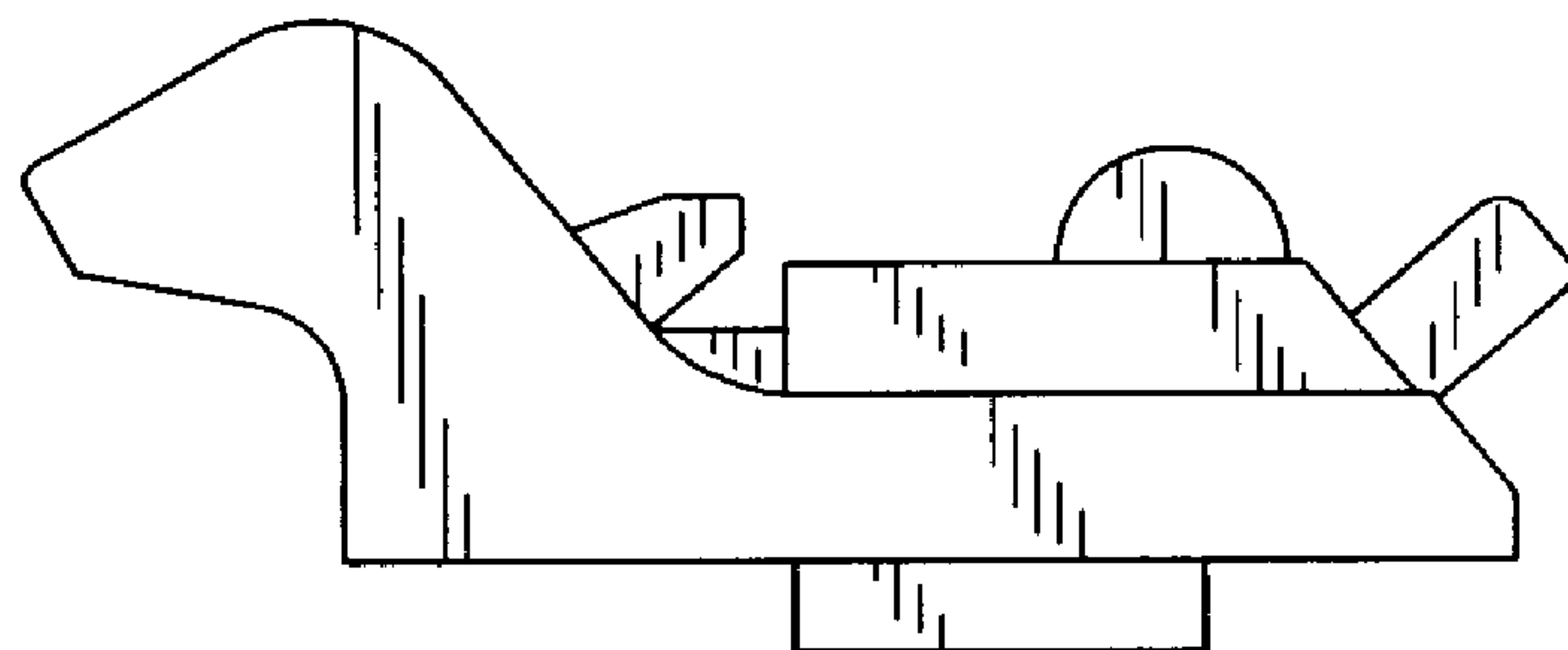


FIG. 6

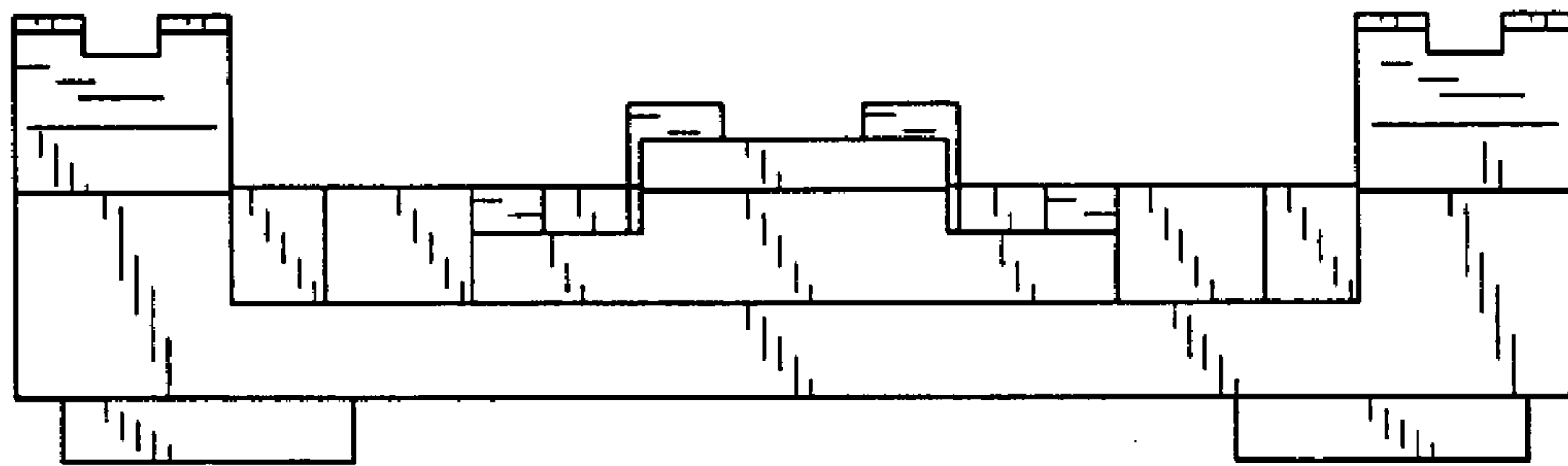


FIG. 7