

US00D525737S

(12) **United States Design Patent**
Roos et al.

(10) **Patent No.: US D525,737 S**

(45) **Date of Patent: ** Jul. 25, 2006**

(54) **LIGHTING FIXTURE HAVING AN ELONGATED HOUSING AND TWO CONCENTRIC CELLS**

(75) Inventors: **Scott L. Roos**, Glenview, IL (US);
Bruce N. Layne, Wheaton, IL (US);
Peter F. Wachter, Northfield, IL (US)

(73) Assignee: **Juno Manufacturing, Inc.**, Des Plaines, IL (US)

(**) Term: **14 Years**

(21) Appl. No.: **29/188,751**

(22) Filed: **Aug. 22, 2003**

(51) **LOC (8) Cl. 26-05**

(52) **U.S. Cl. D26/63**

(58) **Field of Classification Search** D26/61,
D26/72, 80, 63-66, 84; 362/277, 281-283,
362/285, 287, 418, 419, 427, 434
See application file for complete search history.

(56) **References Cited**

U.S. PATENT DOCUMENTS

4,814,955	A	*	3/1989	Price	362/275
4,931,917	A	*	6/1990	Scherf et al.	362/371
D326,162	S	*	5/1992	Price	D26/63
D370,075	S	*	5/1996	Mier-Langner et al.	D26/63
D385,372	S	*	10/1997	Mier-Langner et al.	D26/63
D394,723	S	*	5/1998	Mier-Langner et al.	D26/63
D407,519	S	*	3/1999	Chen	D26/64
D442,309	S	*	5/2001	Miller et al.	D26/63
D443,093	S	*	5/2001	Chiang	D26/65
6,644,837	B1	*	11/2003	Borders et al.	362/399

* cited by examiner

Primary Examiner—Clare E Heflin

(74) *Attorney, Agent, or Firm*—Sonnenchein Nath & Rosenthal

(57) **CLAIM**

The ornamental design for a lighting fixture having an elongated housing and two concentric cells, as shown and described.

DESCRIPTION

This application is related to the following: (1) U.S. Design Application No. 29/188,783 entitled “Light Fixture Having an Elongated Housing And a Square Grid Cell Having Arcuate Cross-Members” filed concurrently, having the same inventor and assignee as the present application; and (2) U.S. Design Application No. 29/188,753 entitled “Light Fixture Having An Elongated Housing And A Square Grid Cell With An Arched Trim” filed concurrently, having the same inventor and assignee as the present application.

FIG. 1 is a perspective view of a lighting fixture having an elongated housing and two concentric cells, each of the two cells having an inner lampholder, where each of the two cells and each of the inner lampholders are in an independently selected tilted position showing the new design;

FIG. 2 is a front view of the lighting fixture shown in FIG. 1;

FIG. 3 is a back view of the lighting fixture as shown in FIG. 1;

FIG. 4 is a right side view of the lighting fixture as shown in FIG. 1;

FIG. 5 is a left side view of the lighting fixture as shown in FIG. 1;

FIG. 6 is a top view of the lighting fixture as shown in FIG. 1; and,

FIG. 7 is a bottom view of the lighting fixture as shown in FIG. 1.

Features shown in dashed lines immediately adjacent the shaded areas or adjacent the solid lines represent the bounds of the claim and all other dashed lines are for illustrative purposes only.

The dashed lines shown on the drawings are for illustrative purposes only and form no part of the claimed design.

1 Claim, 5 Drawing Sheets

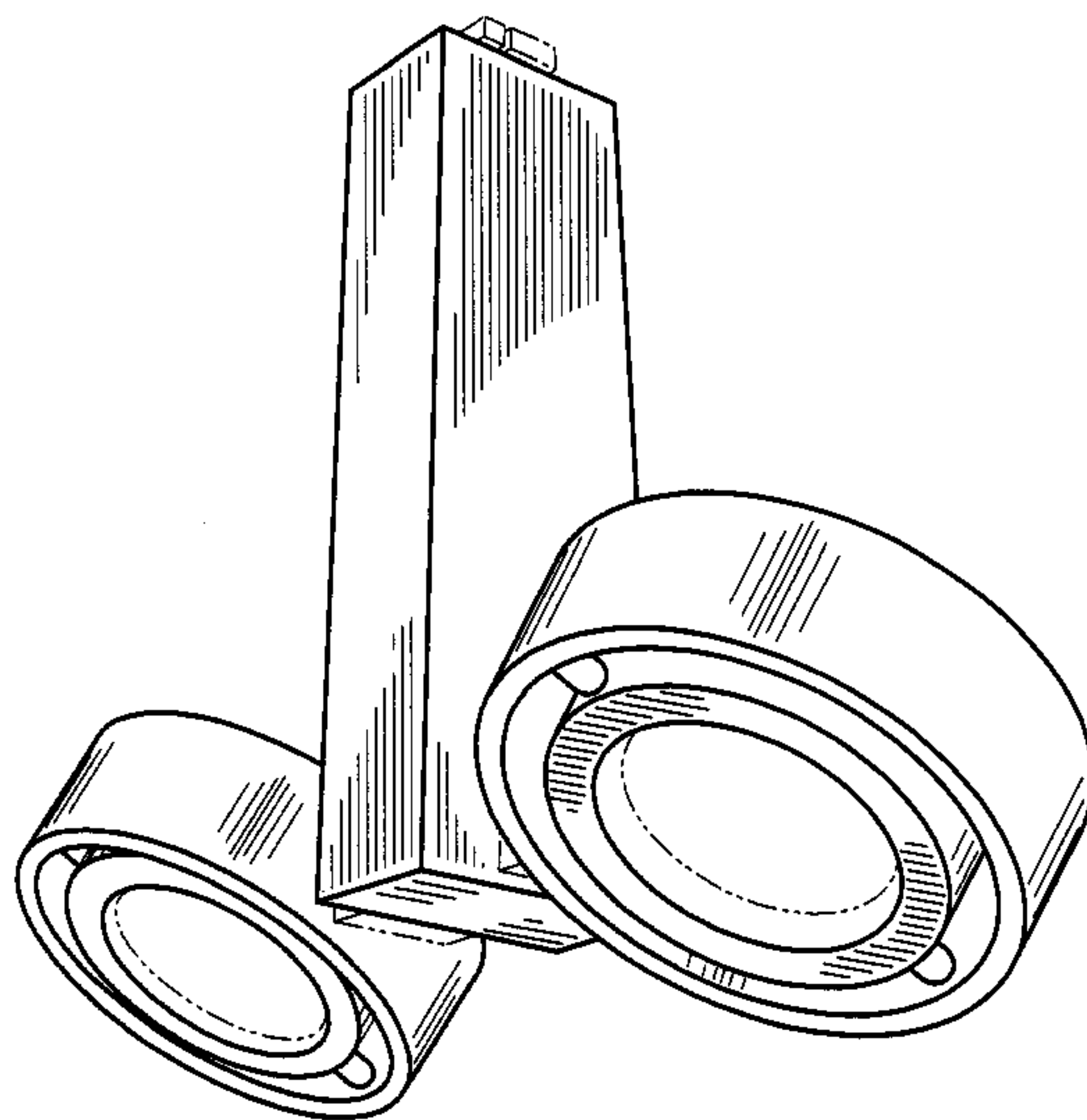


FIG. 1

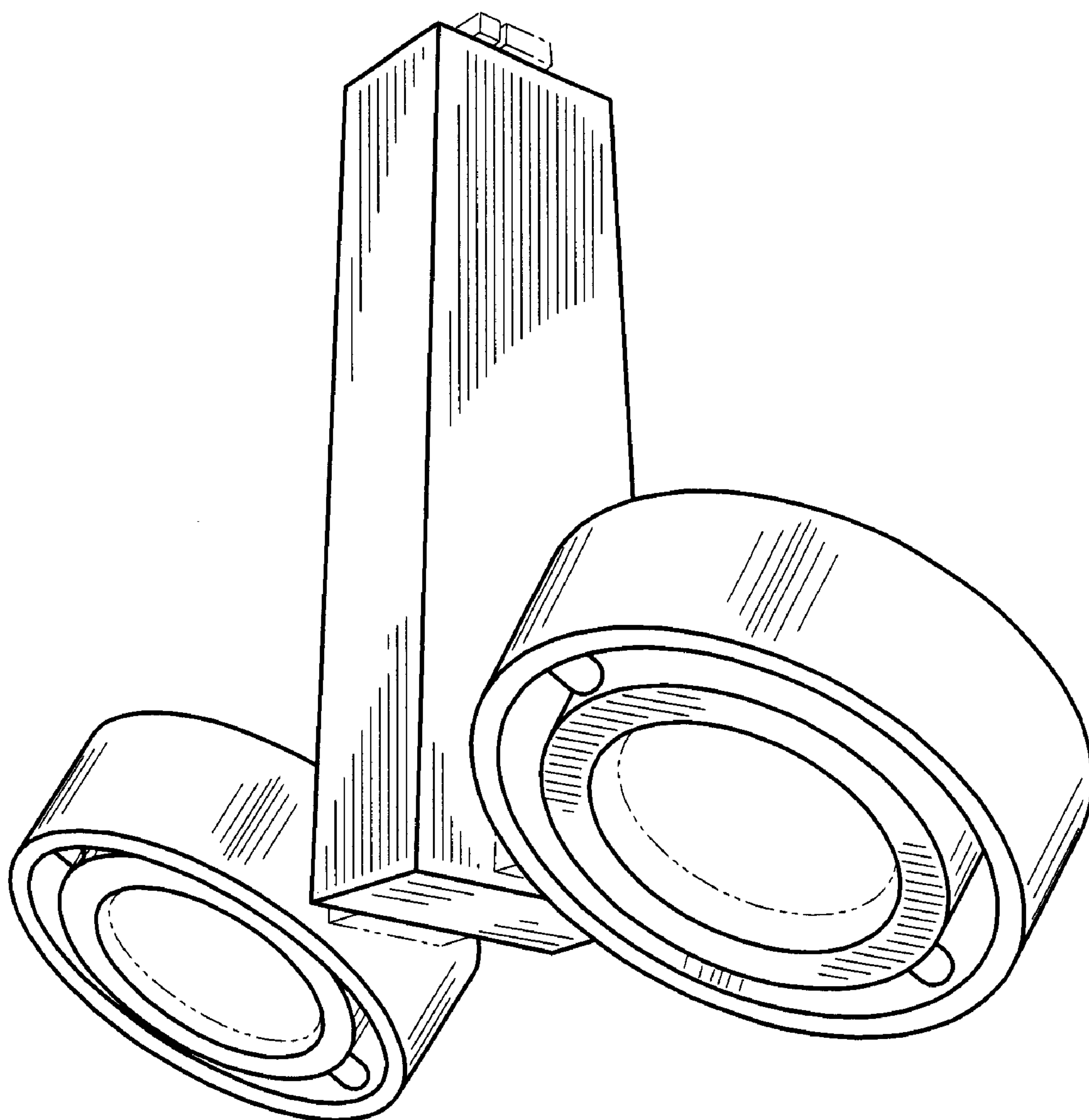


FIG. 2

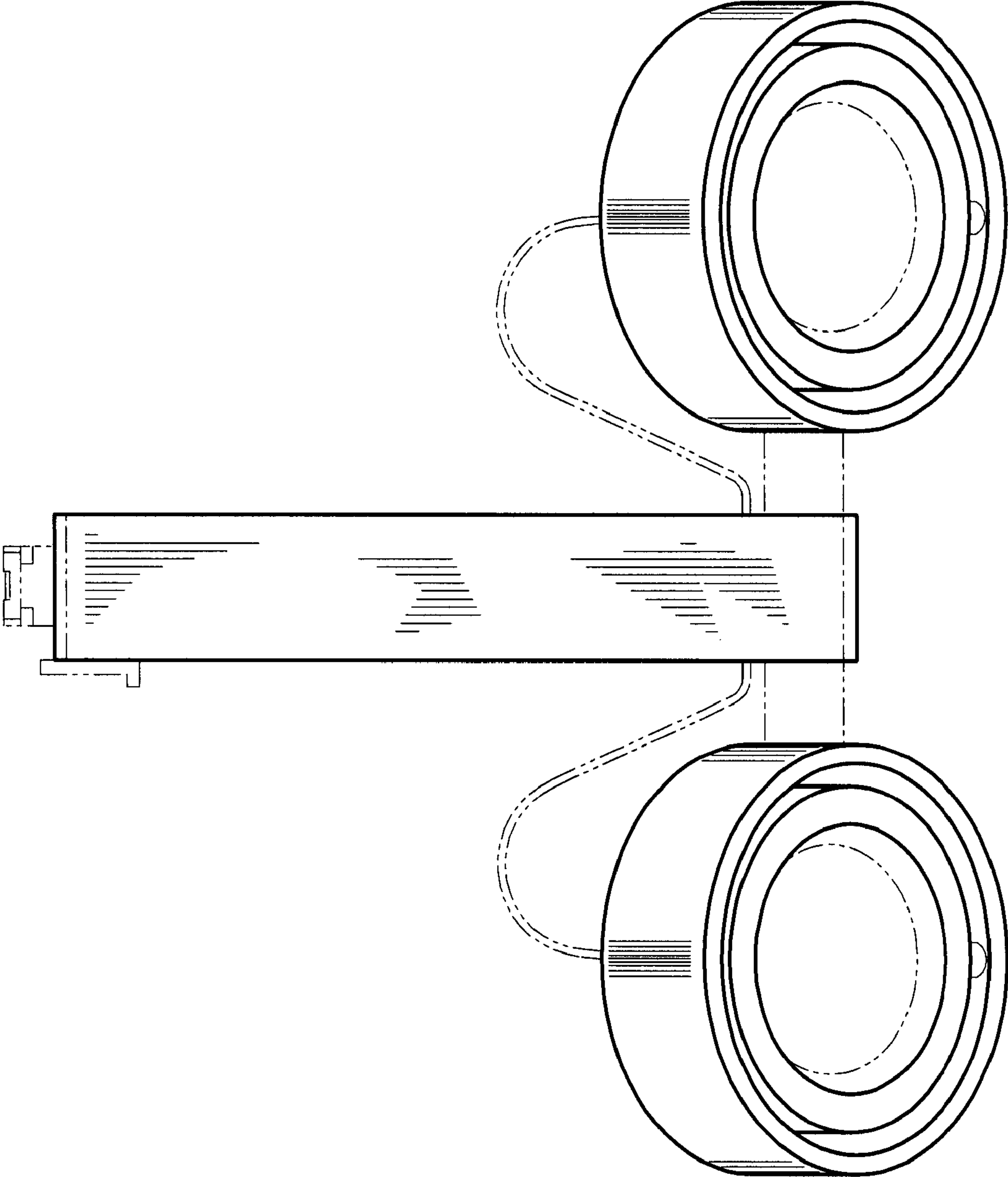


FIG. 3

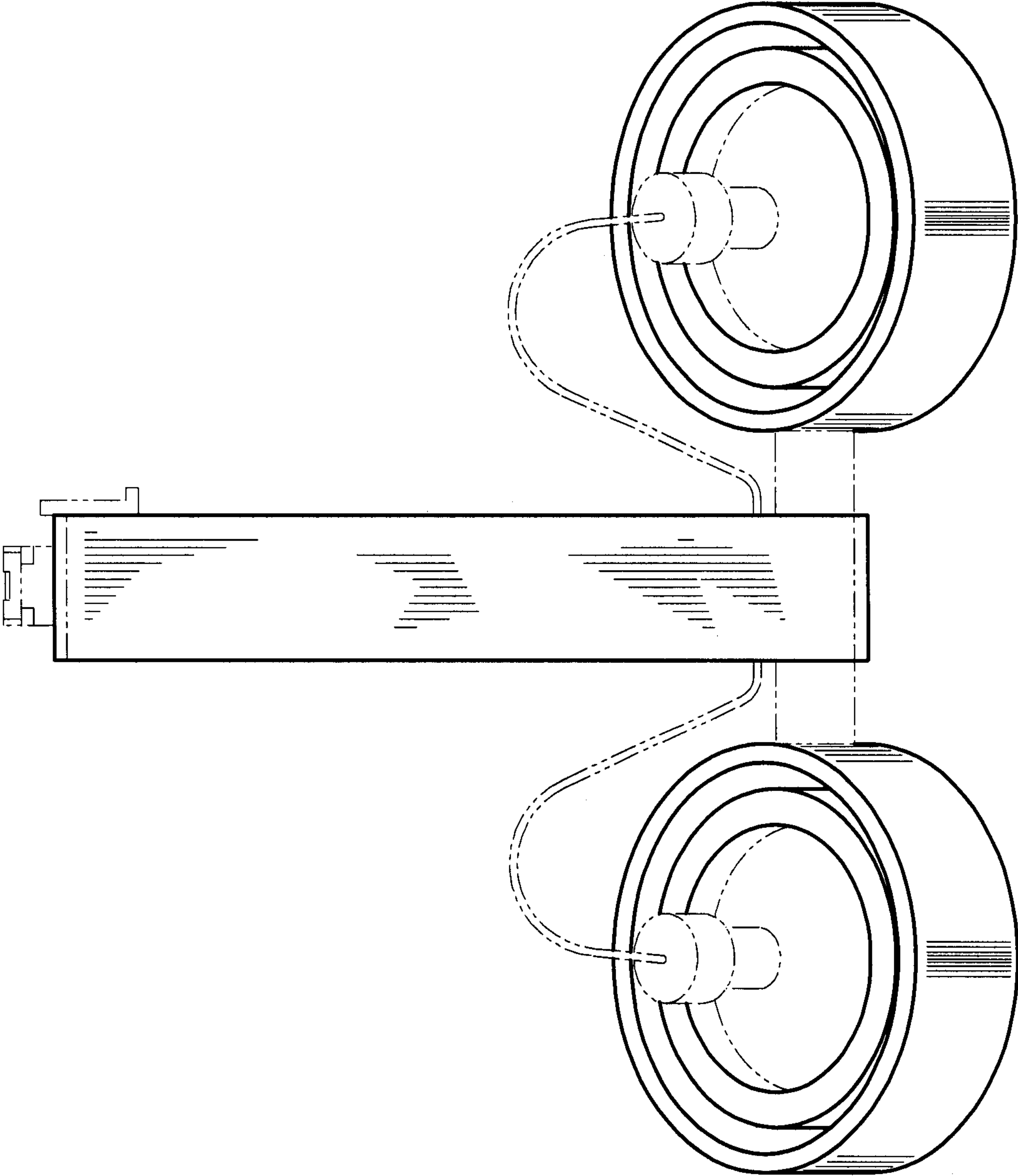


FIG. 4

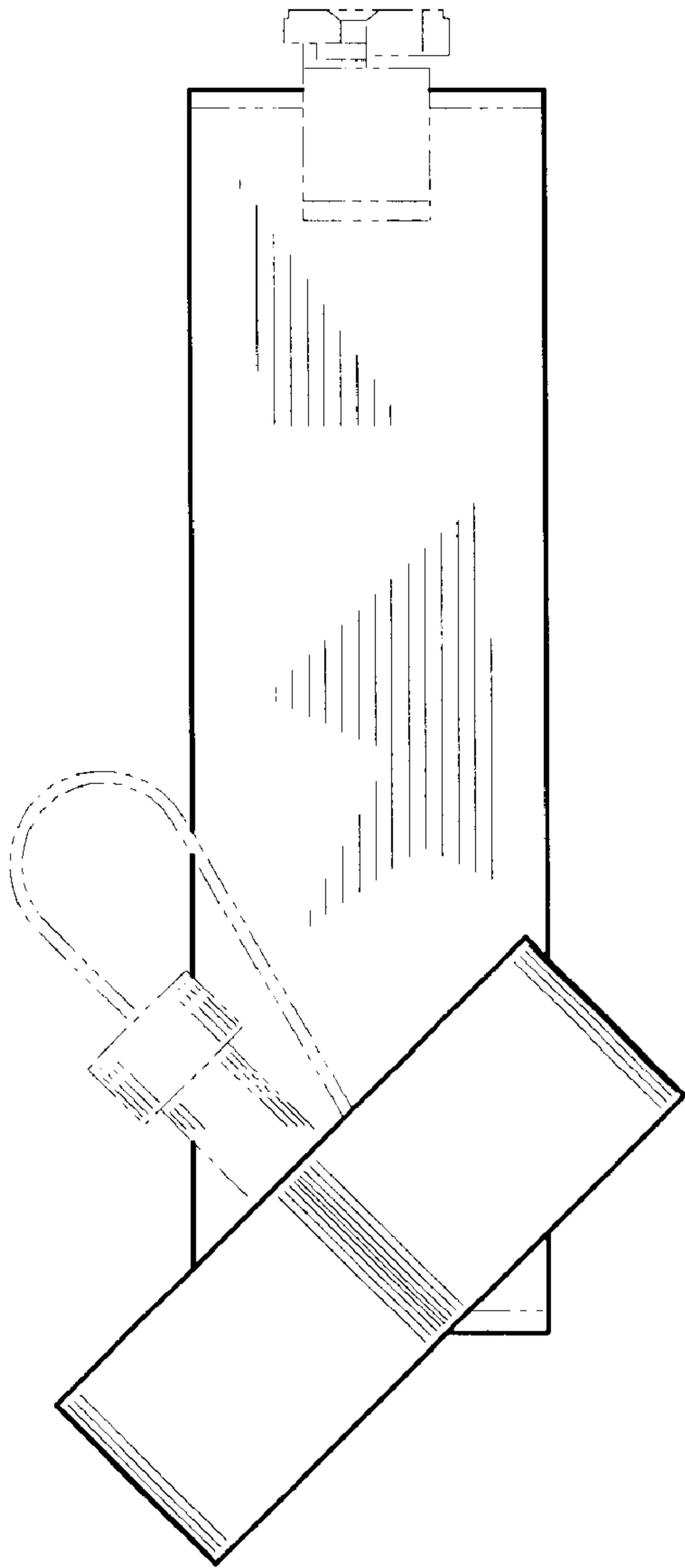


FIG. 5

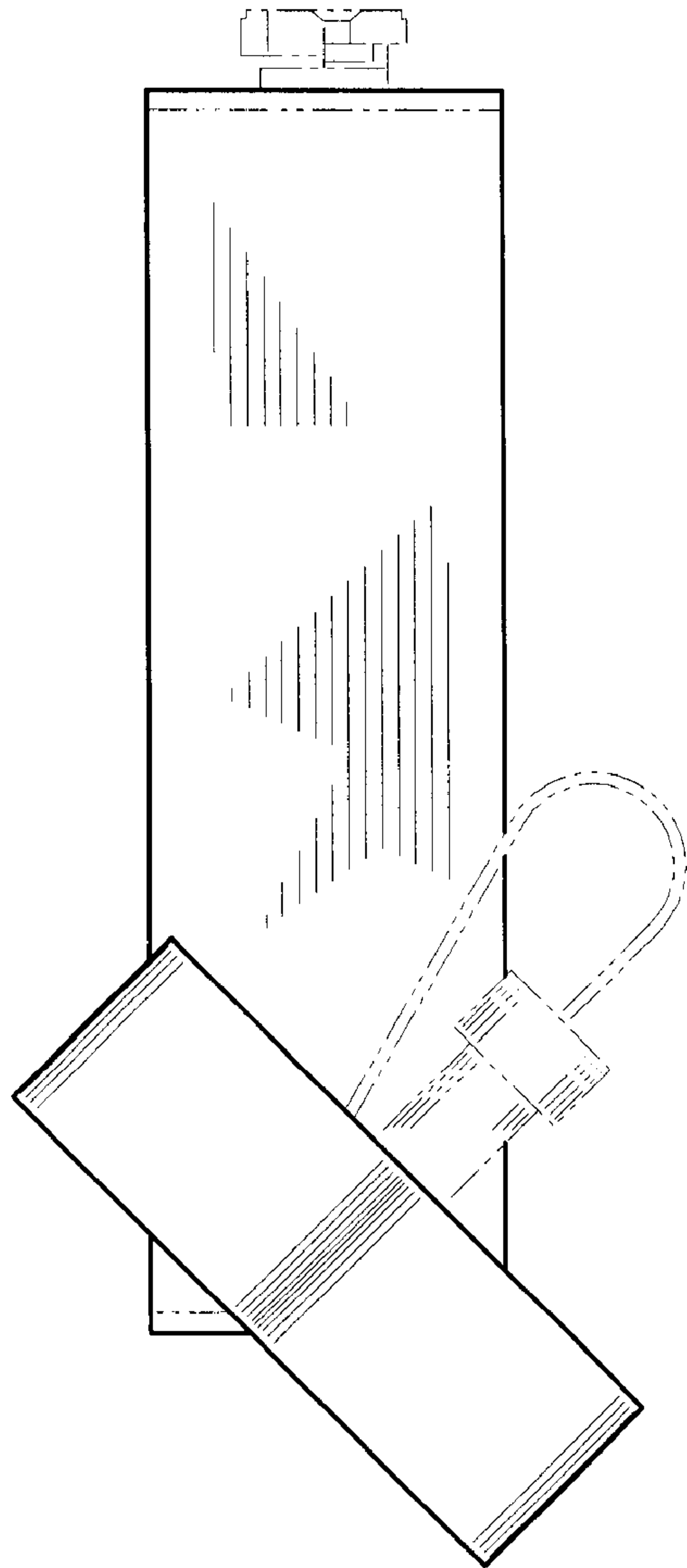


FIG. 6

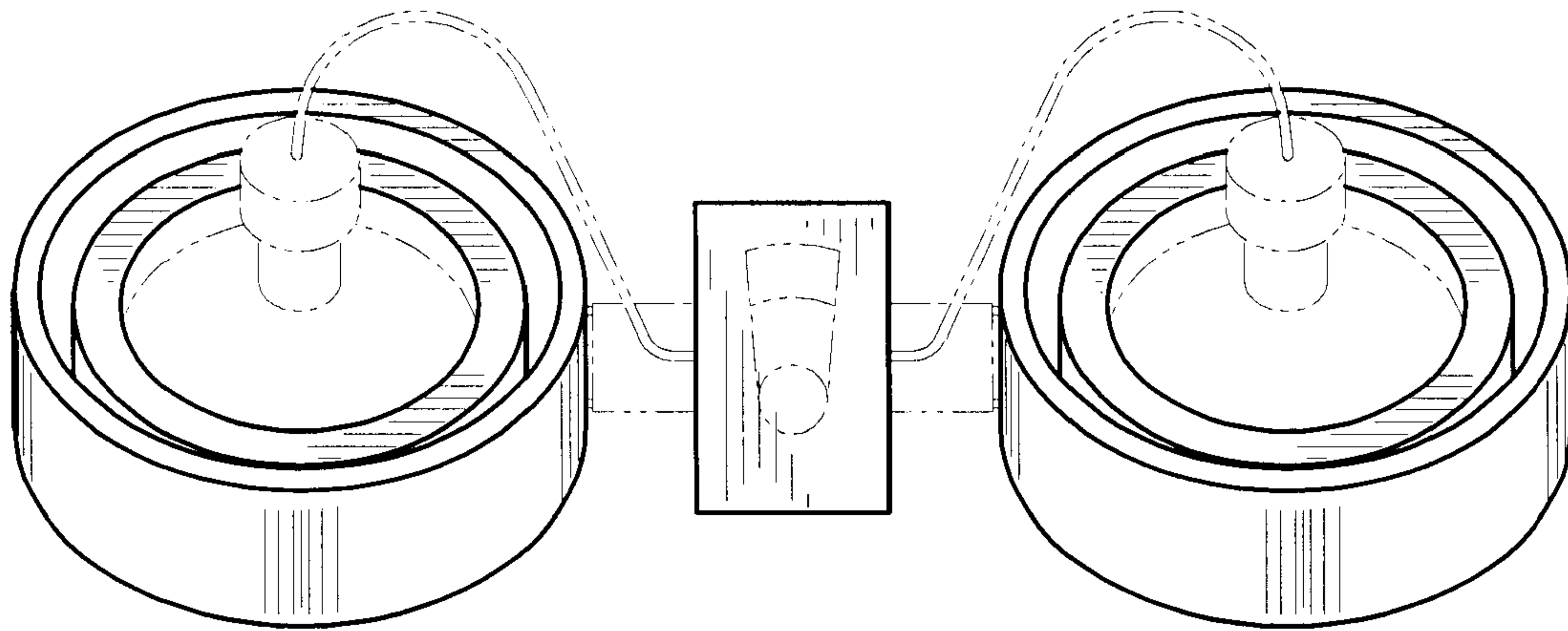


FIG. 7

