



US00D525735S

(12) **United States Design Patent**
Krieger et al.

(10) **Patent No.:** **US D525,735 S**

(45) **Date of Patent:** **** *Jul. 25, 2006**

(54) **HANDHELD SPOTLIGHT WITH GUN GRIP HANDLE**

(75) Inventors: **Michael Krieger**, Miami Beach, FL (US); **Kevin Ellsworth**, Hollywood, FL (US)

(73) Assignee: **Vector Products, Inc.**, Ft. Lauderdale, FL (US)

(*) Notice: This patent is subject to a terminal disclaimer.

(**) Term: **14 Years**

(21) Appl. No.: **29/185,097**

(22) Filed: **Jun. 24, 2003**

Related U.S. Application Data

(63) Continuation-in-part of application No. 29/166,990, filed on Sep. 9, 2002, now Pat. No. Des. 477,681.

(51) **LOC (8) Cl.** **26-02**

(52) **U.S. Cl.** **D26/45**

(58) **Field of Classification Search** D26/37-50; 362/157, 158, 171-174, 183-208
See application file for complete search history.

(56) **References Cited**

U.S. PATENT DOCUMENTS

D431,662 S	10/2000	Krieger	D26/45
D434,513 S	11/2000	Poon	D26/45
D460,207 S	7/2002	Krieger et al.	D26/45
D462,470 S	9/2002	Krieger et al.	D26/45
D466,637 S	12/2002	Gisser	D26/45

D477,681 S * 7/2003 Krieger et al. D26/45

* cited by examiner

Primary Examiner—Marcus A. Jackson

(74) *Attorney, Agent, or Firm*—Venable LLP; Robert Kinberg; Manni Li

(57) **CLAIM**

We claim the ornamental design for a handheld spotlight with gun grip handle, as shown and described.

DESCRIPTION

FIG. 1 is a right-front perspective view of the handheld spotlight with gun grip handle showing a first embodiment of our new design;

FIG. 2 is a front view of the design shown in FIG. 1;

FIG. 3 is a back view of the design shown in FIG. 1;

FIG. 4 is a right side view of the design shown in FIG. 1;

FIG. 5 is a left side view of the design shown in FIG. 1;

FIG. 6 is a top view of the design shown in FIG. 1; and

FIG. 7 is a bottom view of the design shown in FIG. 1;

FIG. 8 is a right-front perspective view of the handheld spotlight with gun grip handle showing a second embodiment of our new design;

FIG. 9 is a front view of the design shown in FIG. 8;

FIG. 10 is a back view of the design shown in FIG. 8;

FIG. 11 is a right side view of the design shown in FIG. 8;

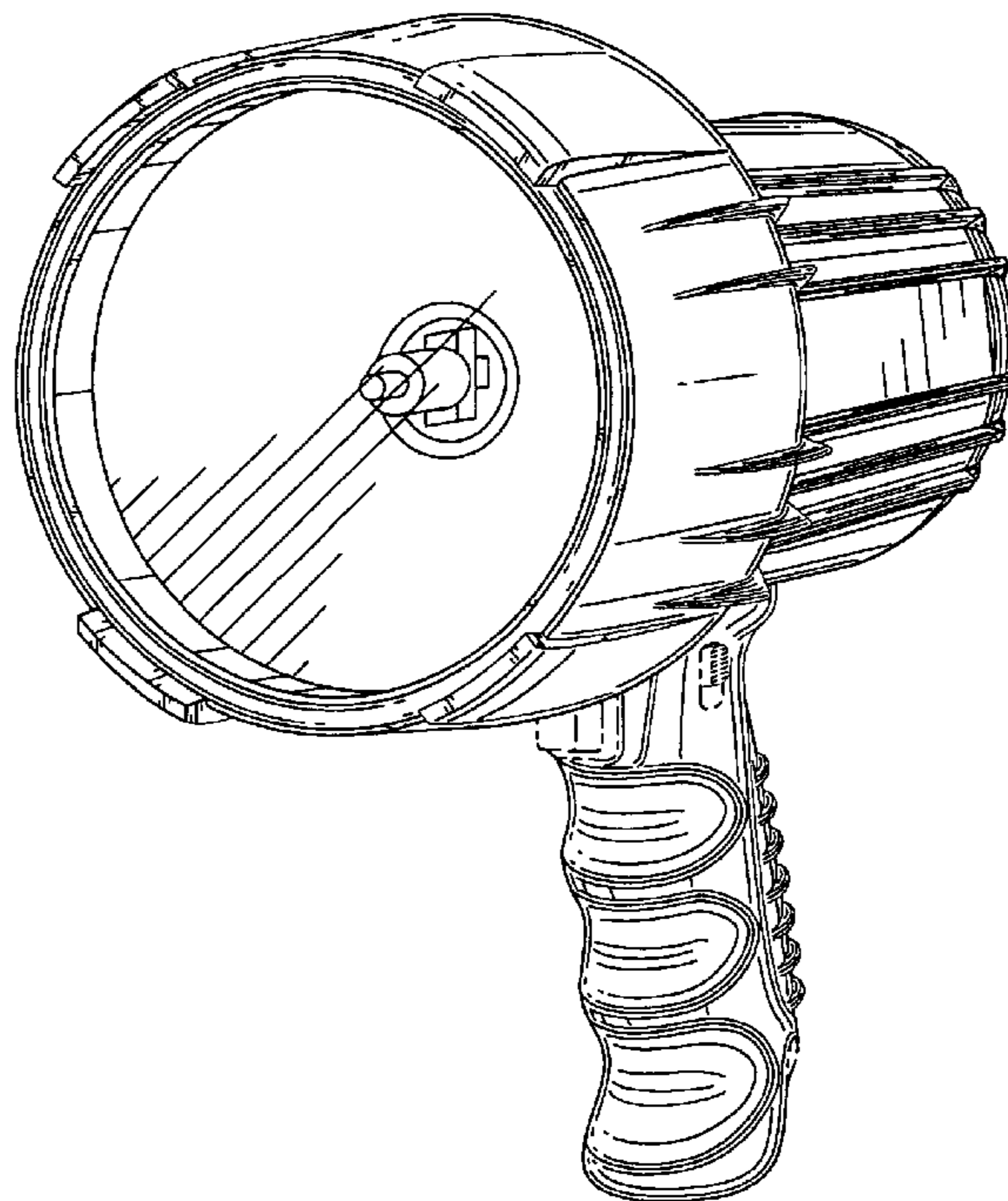
FIG. 12 is a left side view of the design shown in FIG. 8;

FIG. 13 is a top view of the design shown in FIG. 8; and,

FIG. 14 is a bottom view of the design shown in FIG. 8.

The broken lines immediately adjacent the shaded areas represent the bounds of the claimed design while all other broken lines are for illustrative purposes only; the broken lines form no part of the claimed design.

1 Claim, 14 Drawing Sheets



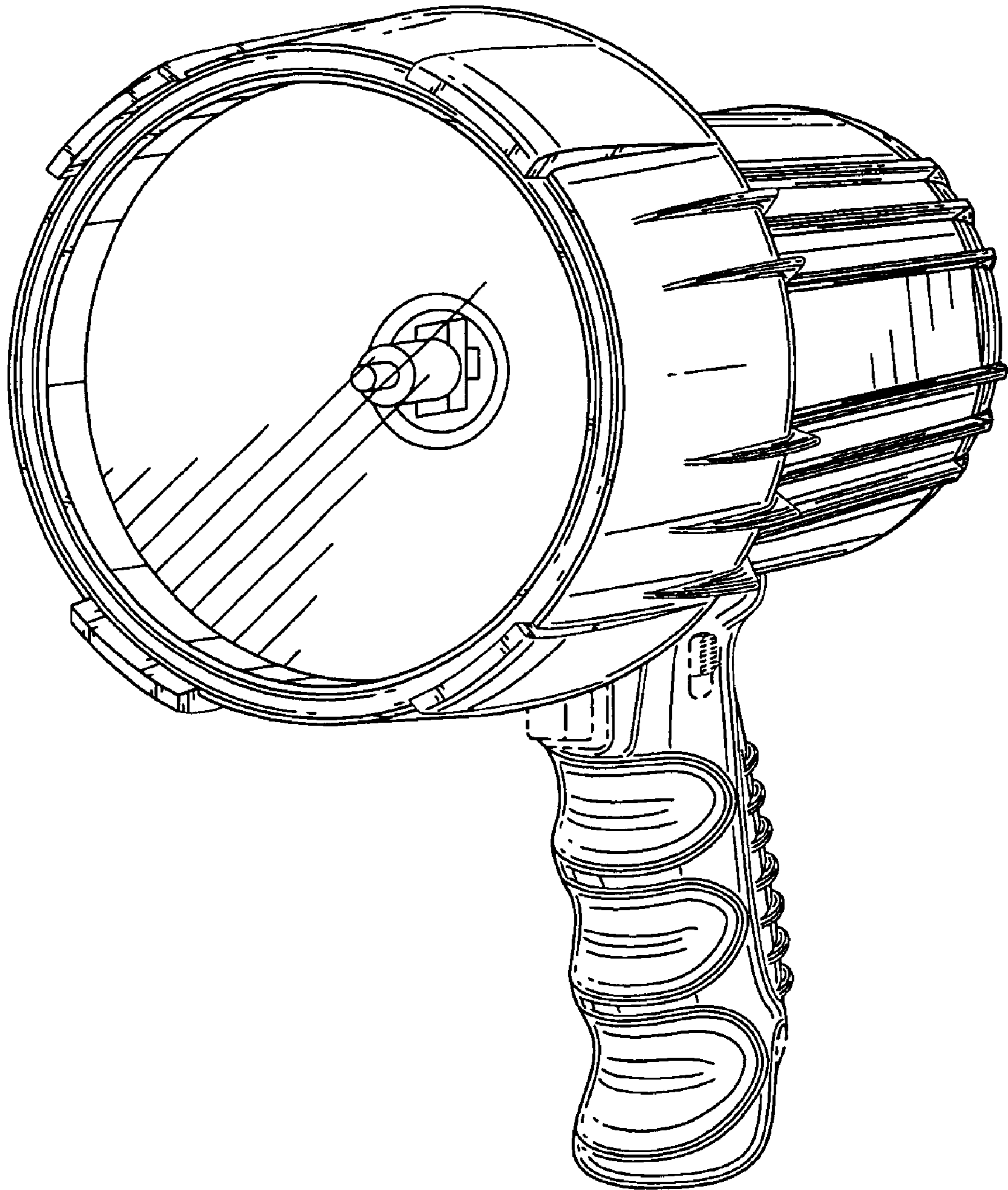


FIG. 1

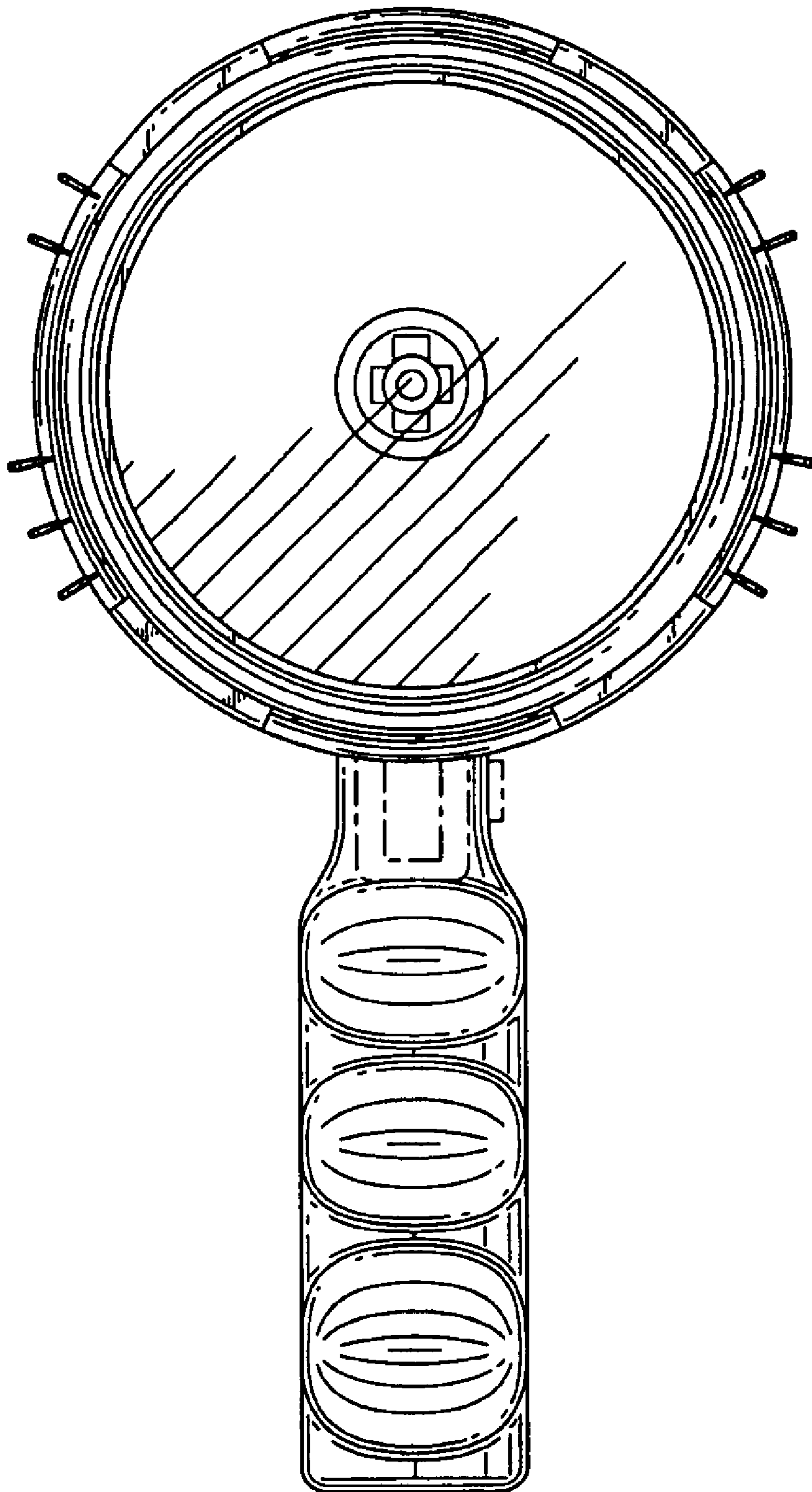


FIG. 2

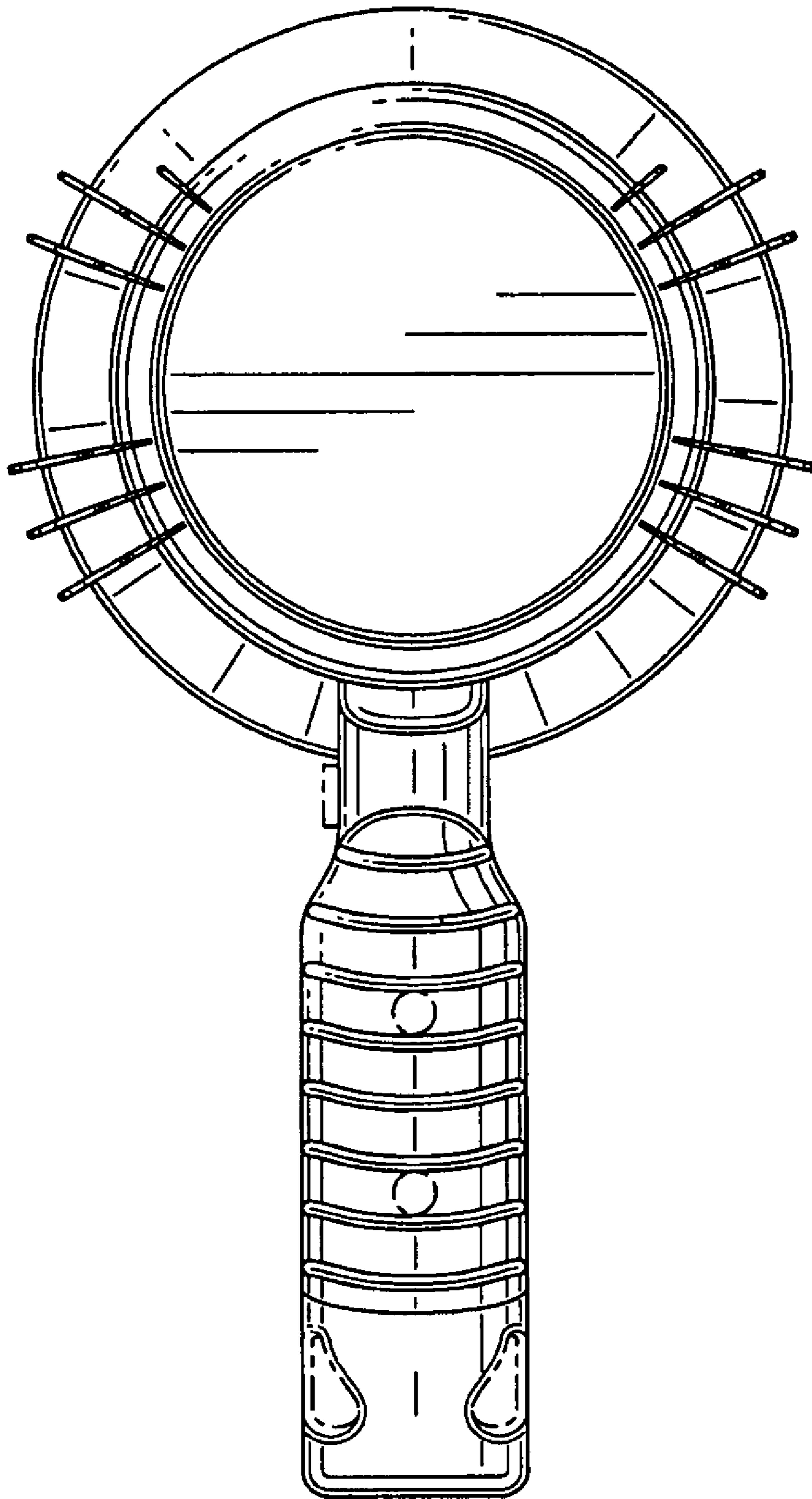


FIG. 3

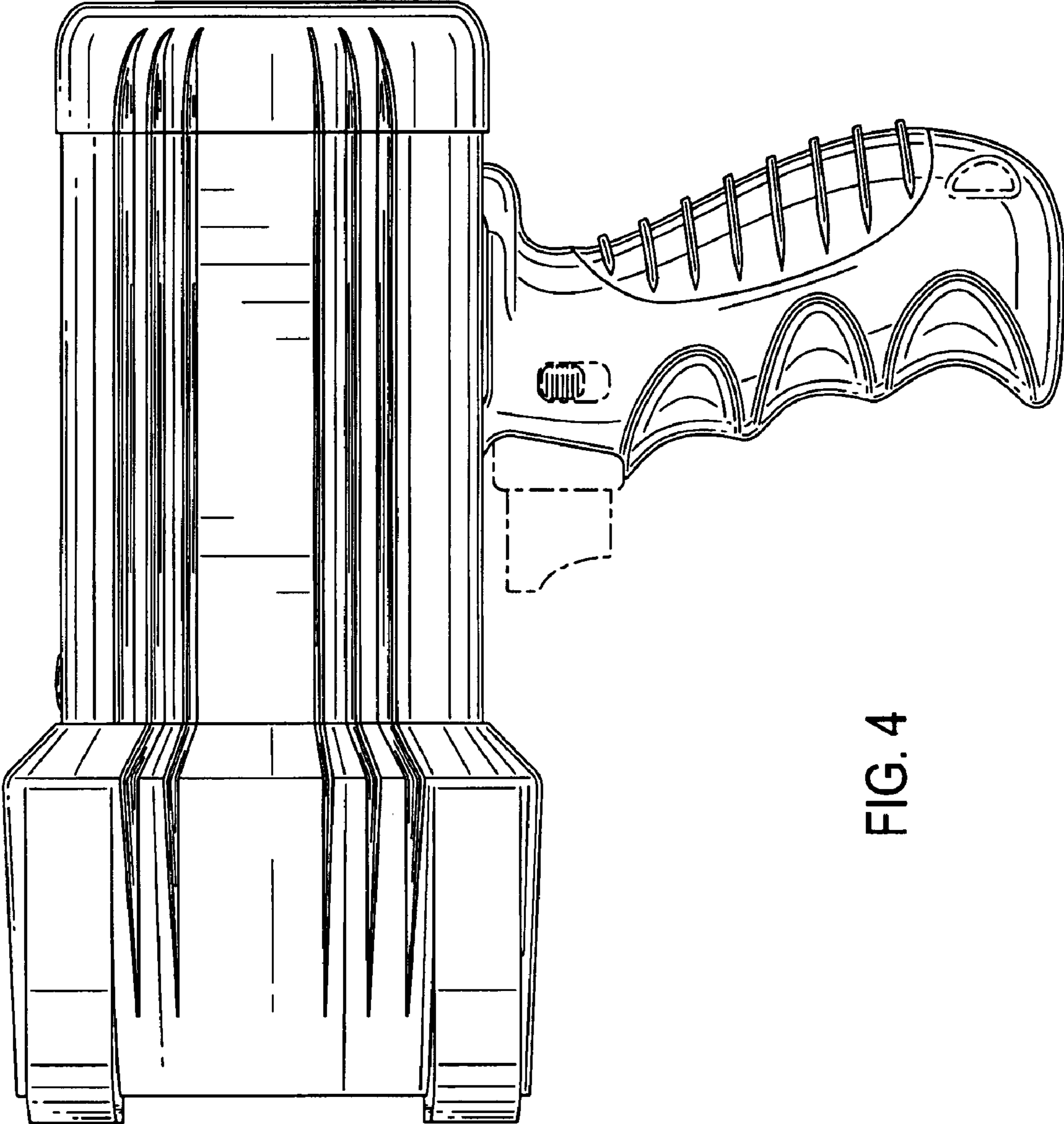


FIG. 4

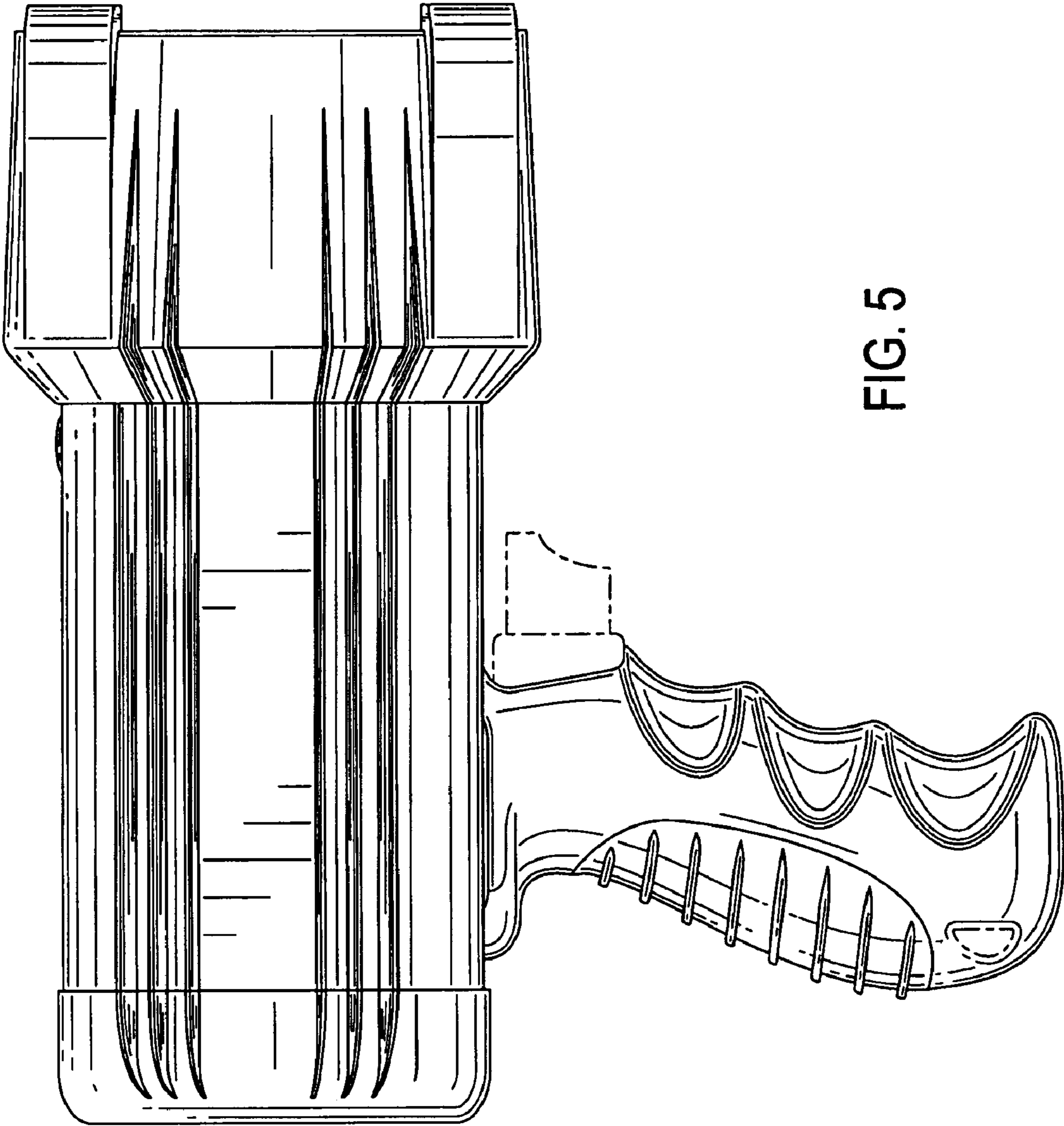


FIG. 5

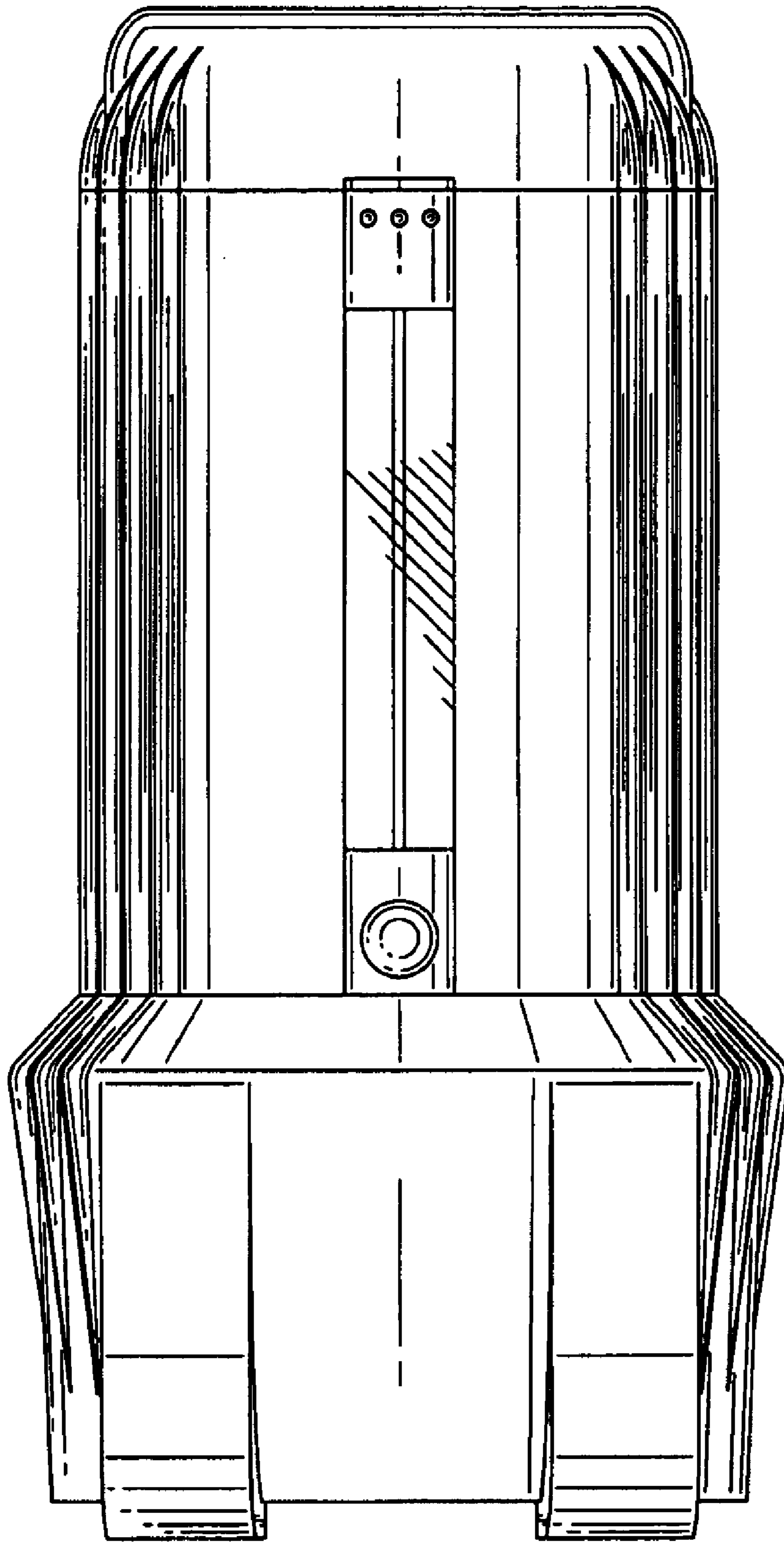


FIG. 6

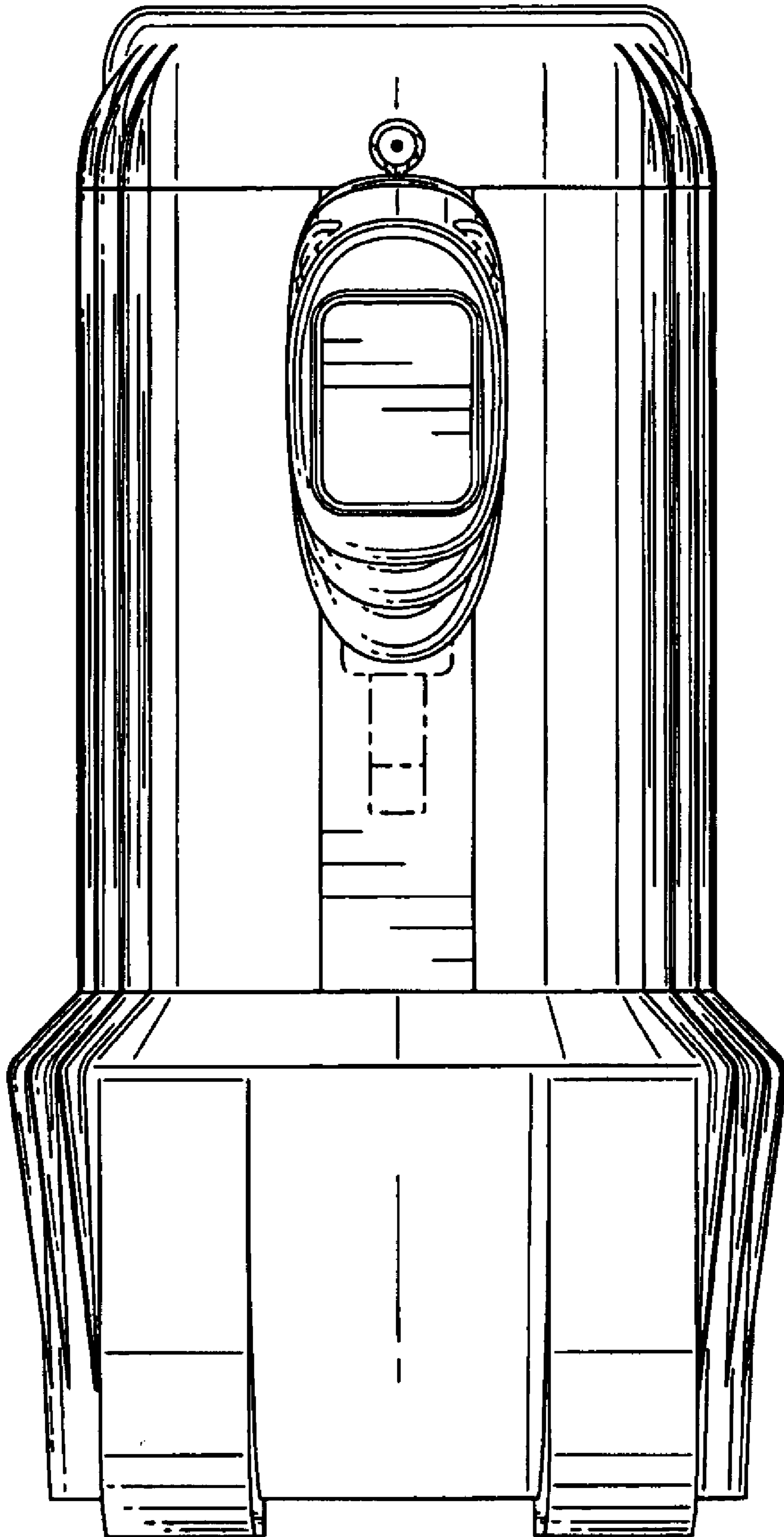


FIG. 7

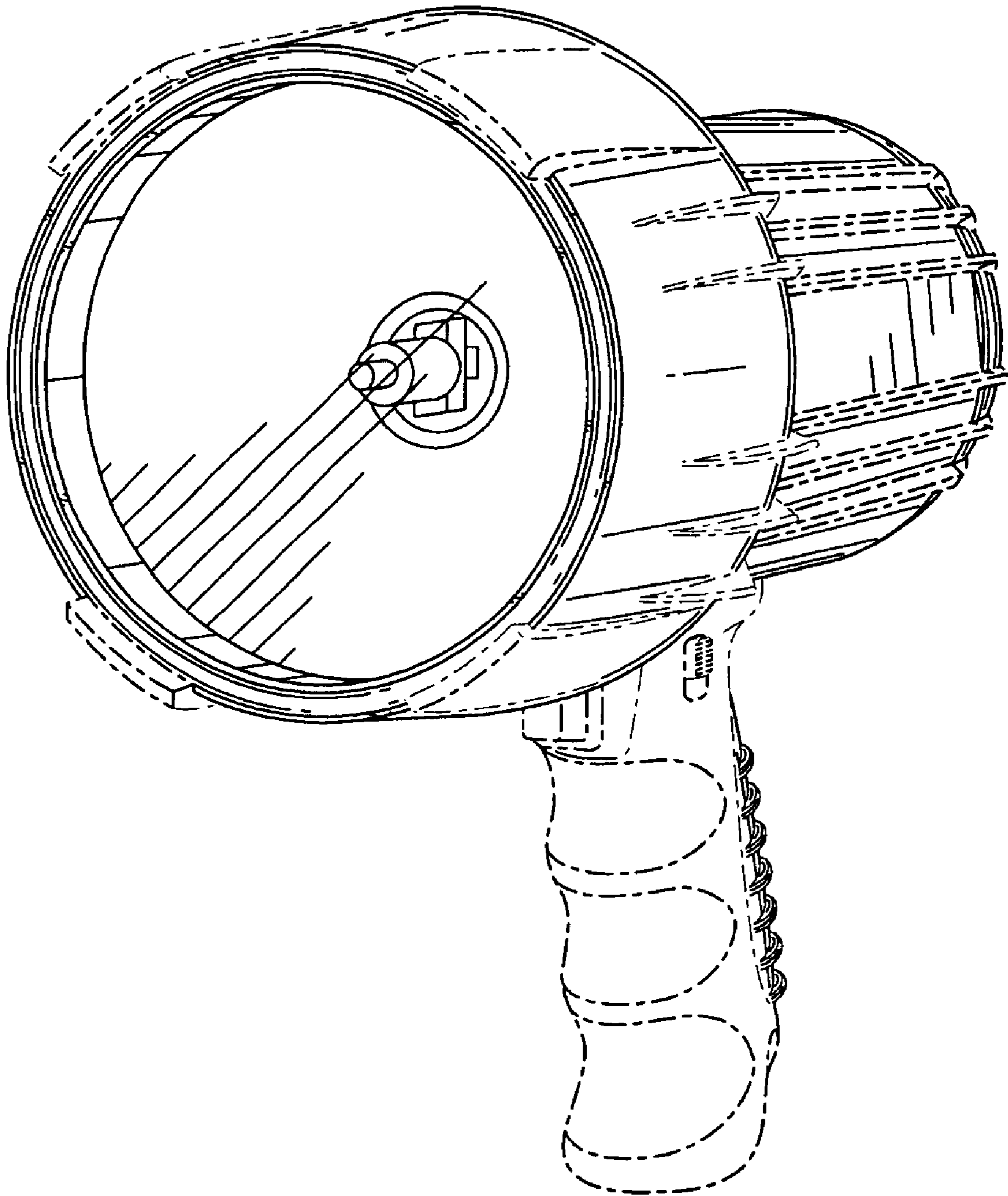


FIG. 8

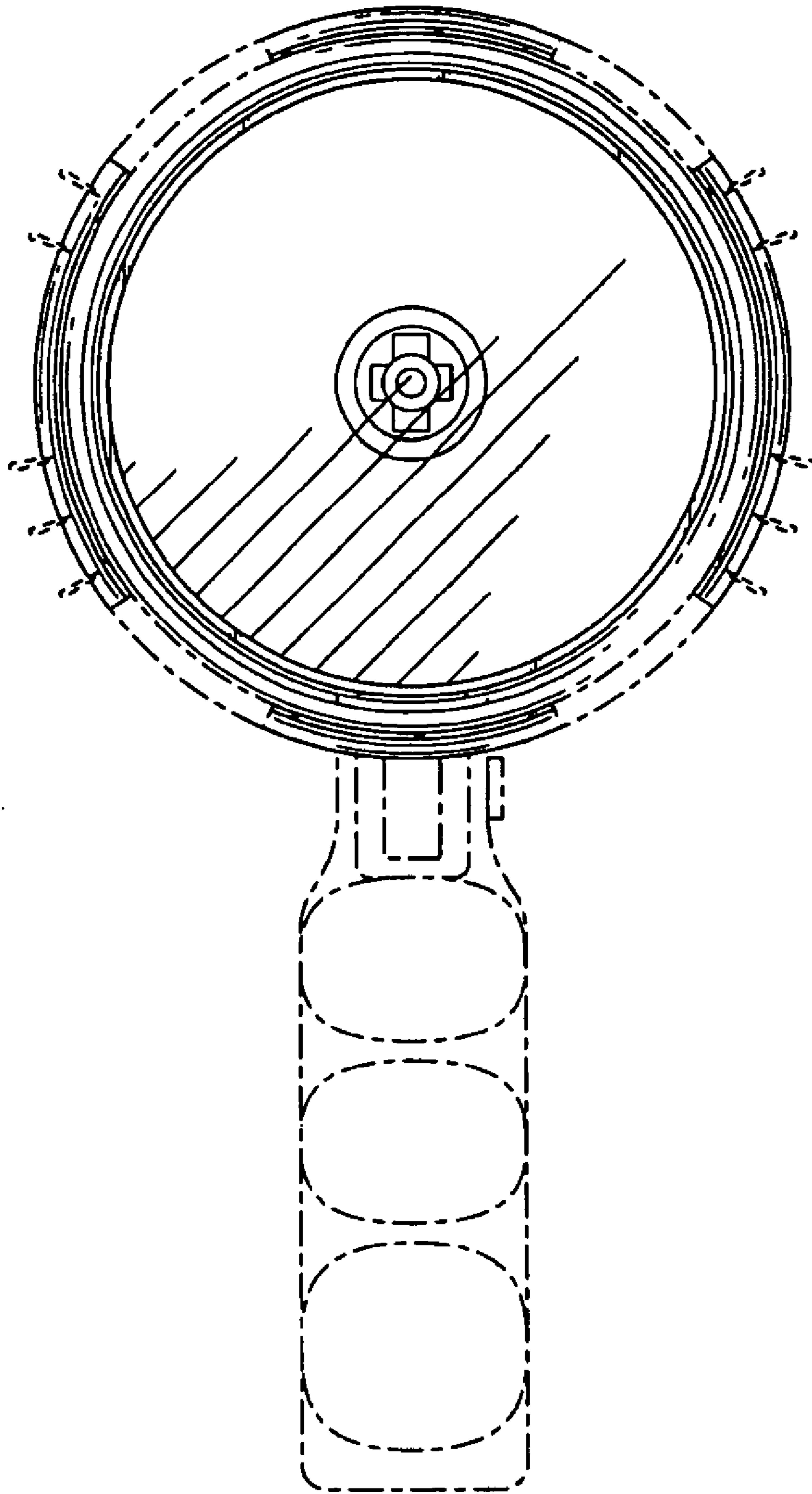


FIG. 9

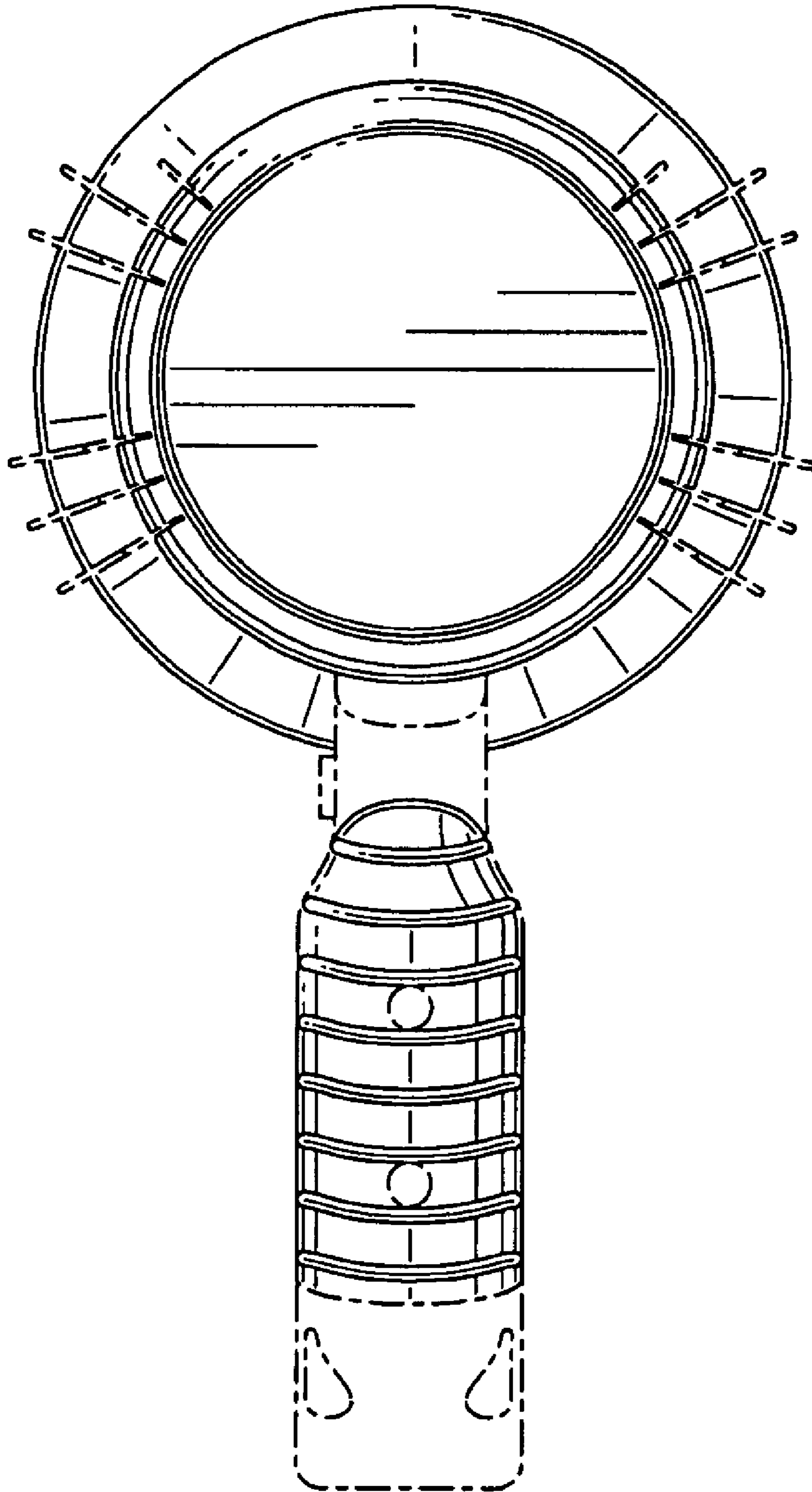


FIG. 10

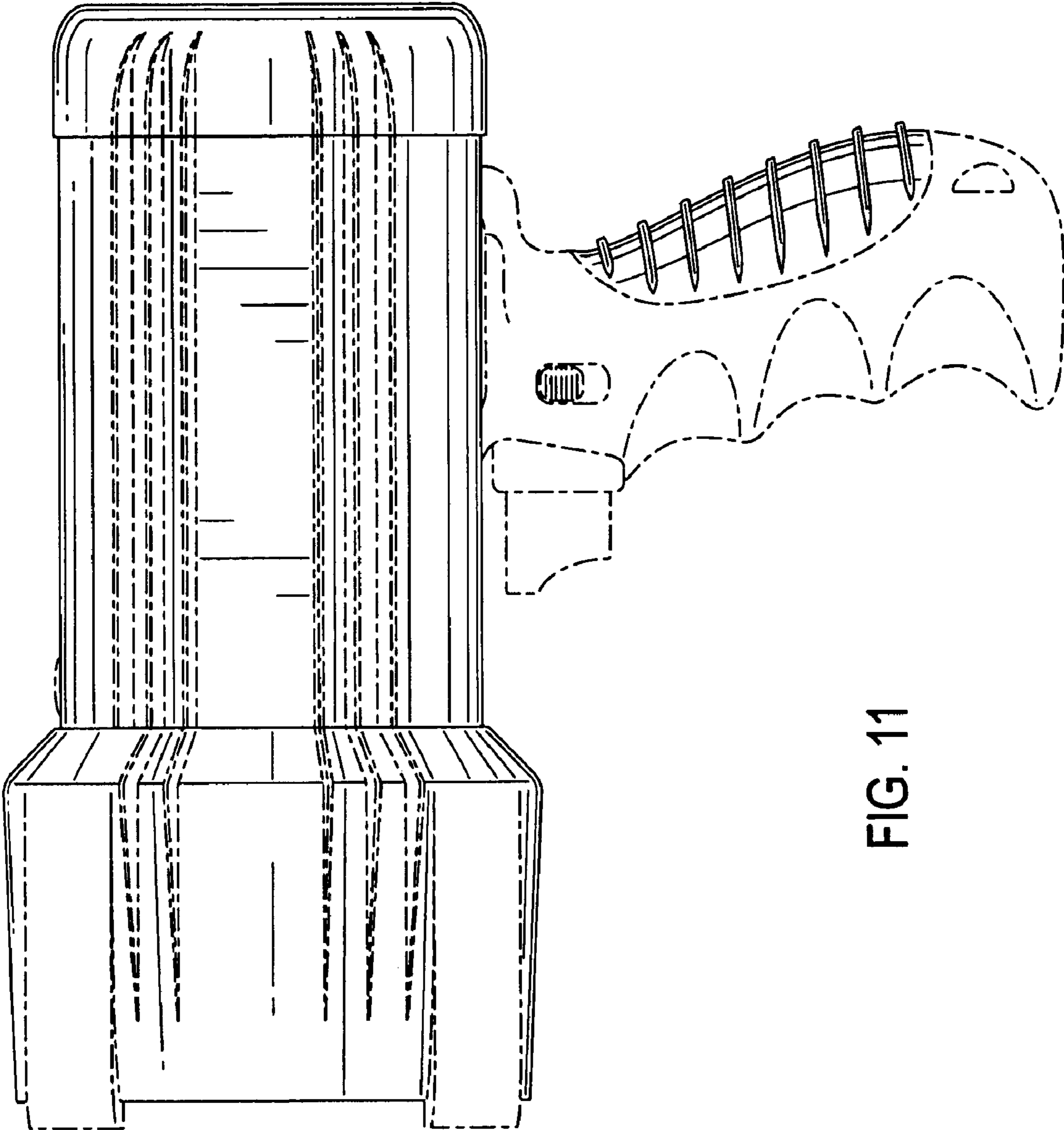


FIG. 11

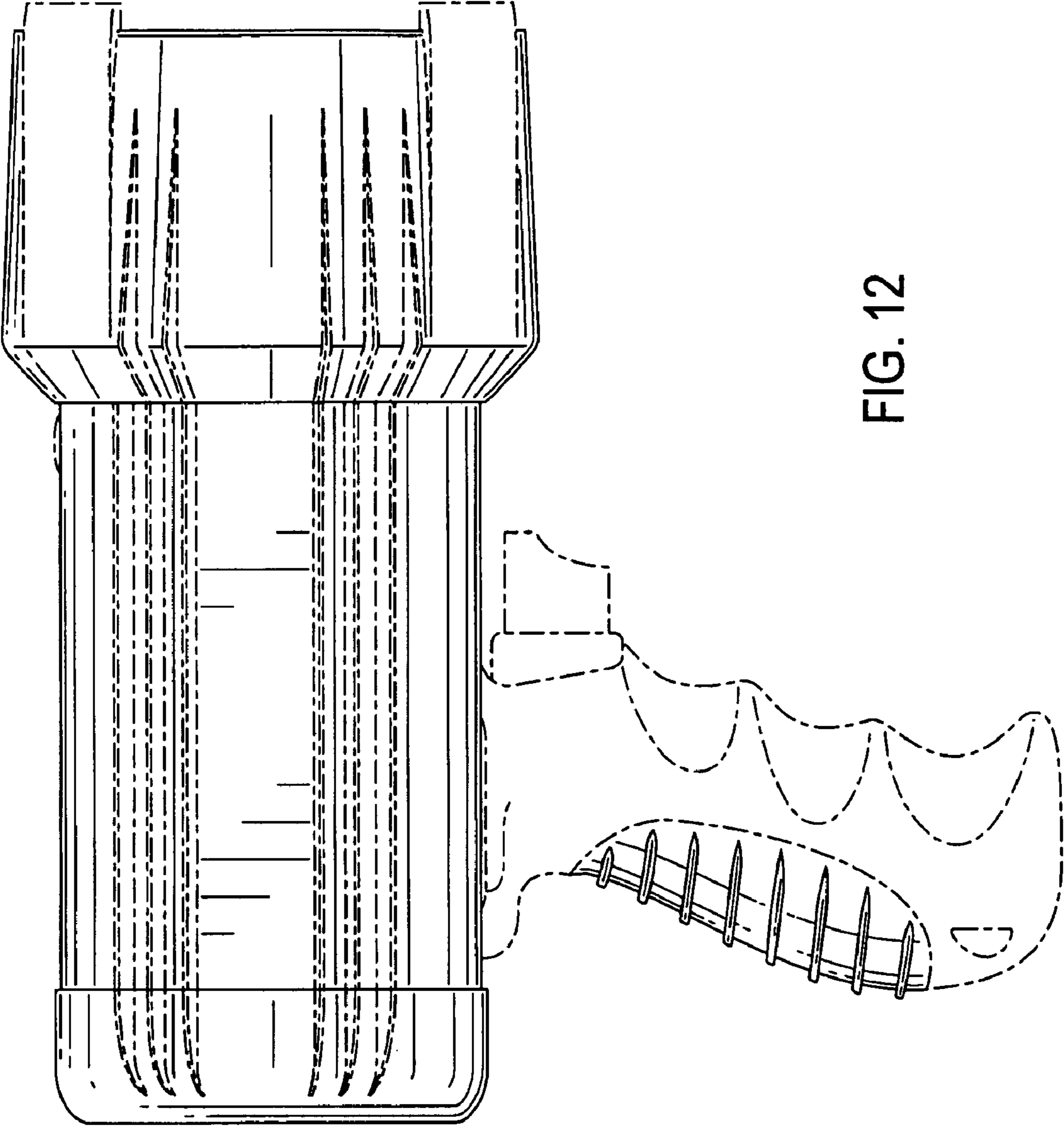


FIG. 12

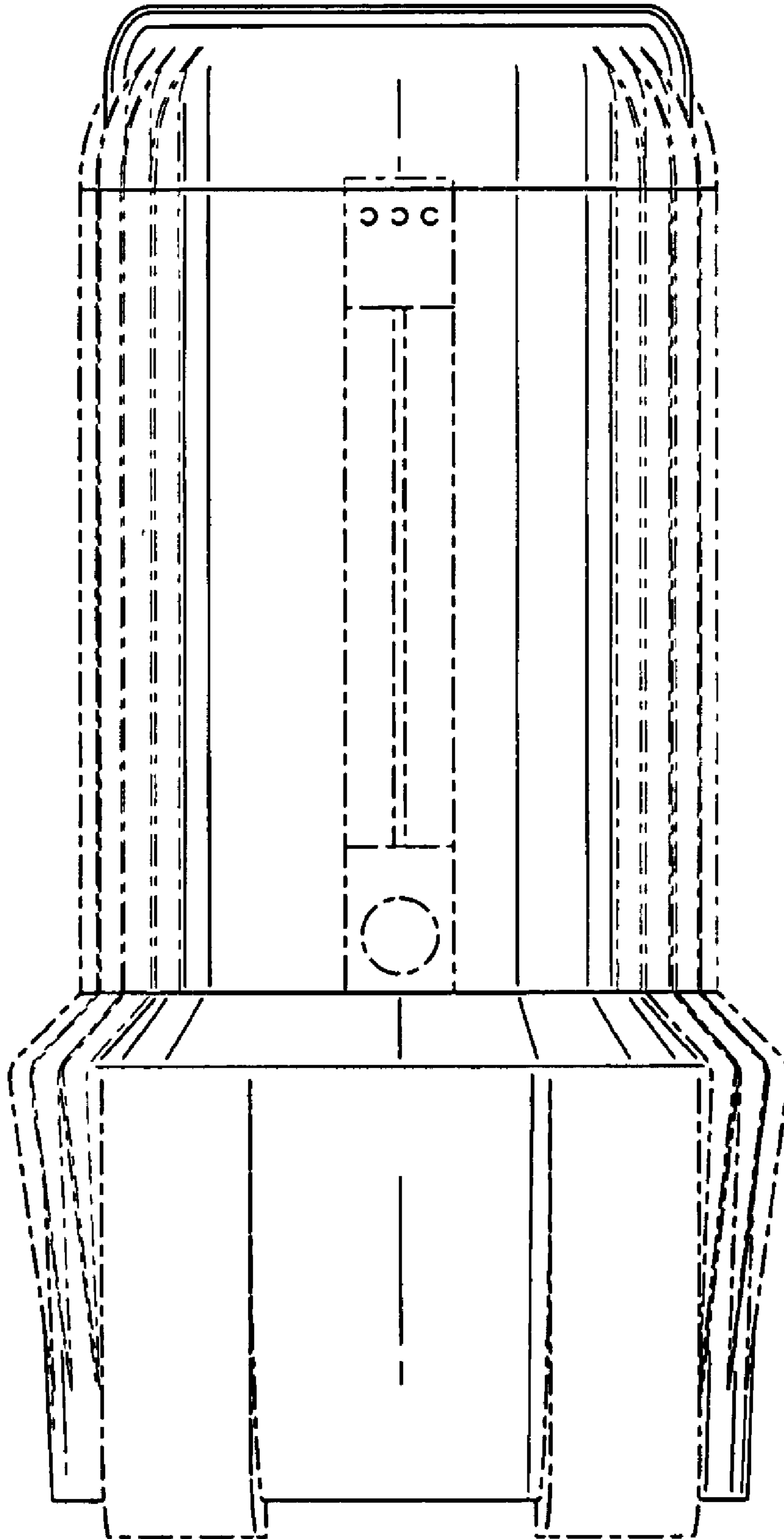


FIG. 13

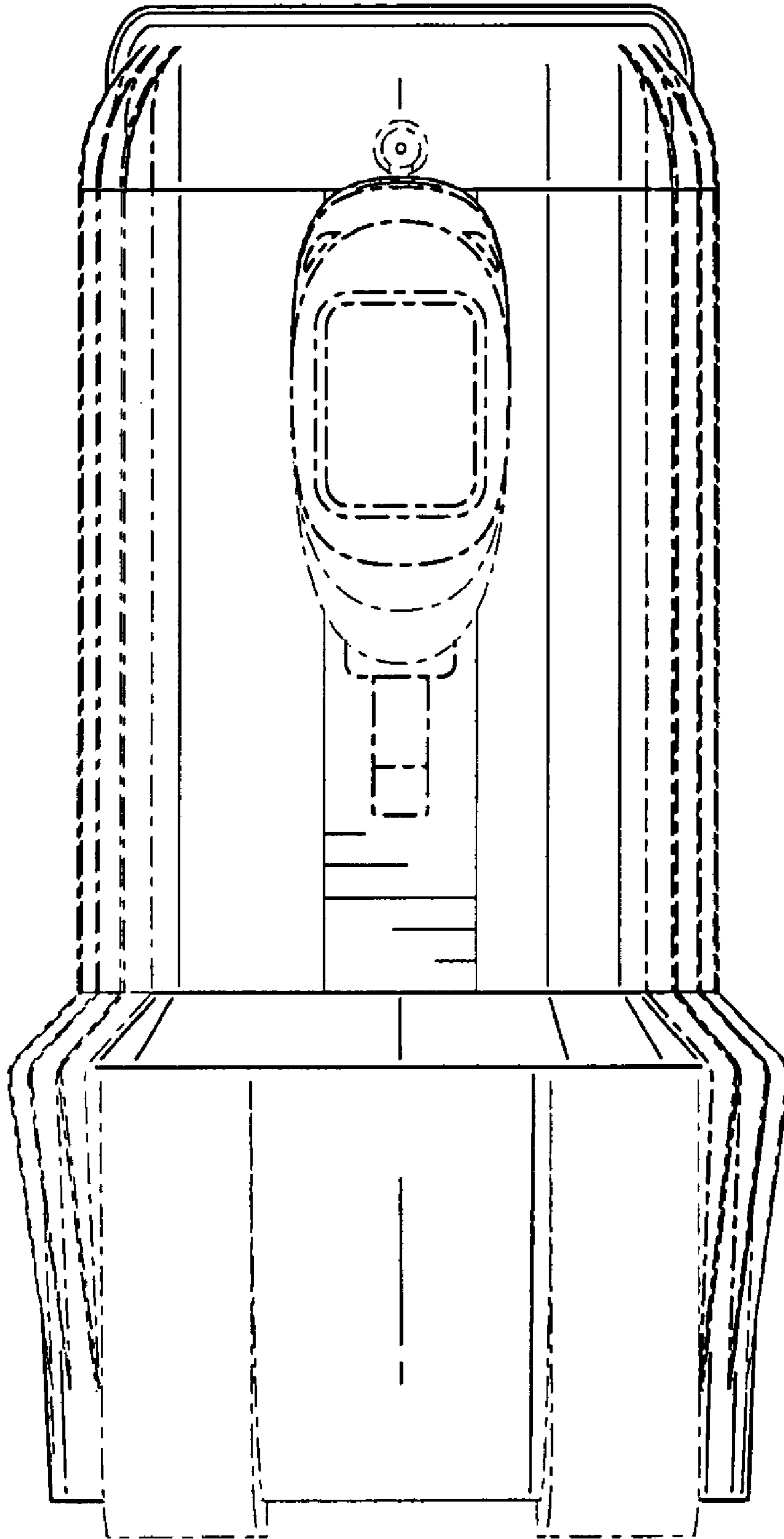


FIG. 14