



US00D525734S

(12) **United States Design Patent**
Shiao

(10) **Patent No.:** **US D525,734 S**

(45) **Date of Patent:** **** Jul. 25, 2006**

(54) **ELECTRIC TORCH FOR HEADGEAR**

D503,817 S * 4/2005 Shiu D26/39
D508,140 S * 8/2005 Sharrah D26/39

(76) Inventor: **Wen-Chin Shiao**, No. 10, Alley 1, Lane 551, Sec. 1, Wan-Shou Rd., Kuei-Shan Hsiang, Tao-Yuan Hsien (TW)

* cited by examiner

(**) Term: **14 Years**

Primary Examiner—Marcus A. Jackson
(74) *Attorney, Agent, or Firm*—MacPherson Kwok Chen & Heid LLP

(21) Appl. No.: **29/237,464**

(57) **CLAIM**

(22) Filed: **Aug. 30, 2005**

The ornamental design for electric torch for headgear, as shown and described.

(51) **LOC (8) Cl.** **26-02**

DESCRIPTION

(52) **U.S. Cl.** **D26/39**

(58) **Field of Classification Search** D26/37–50;
362/157, 158, 171–174, 183–208
See application file for complete search history.

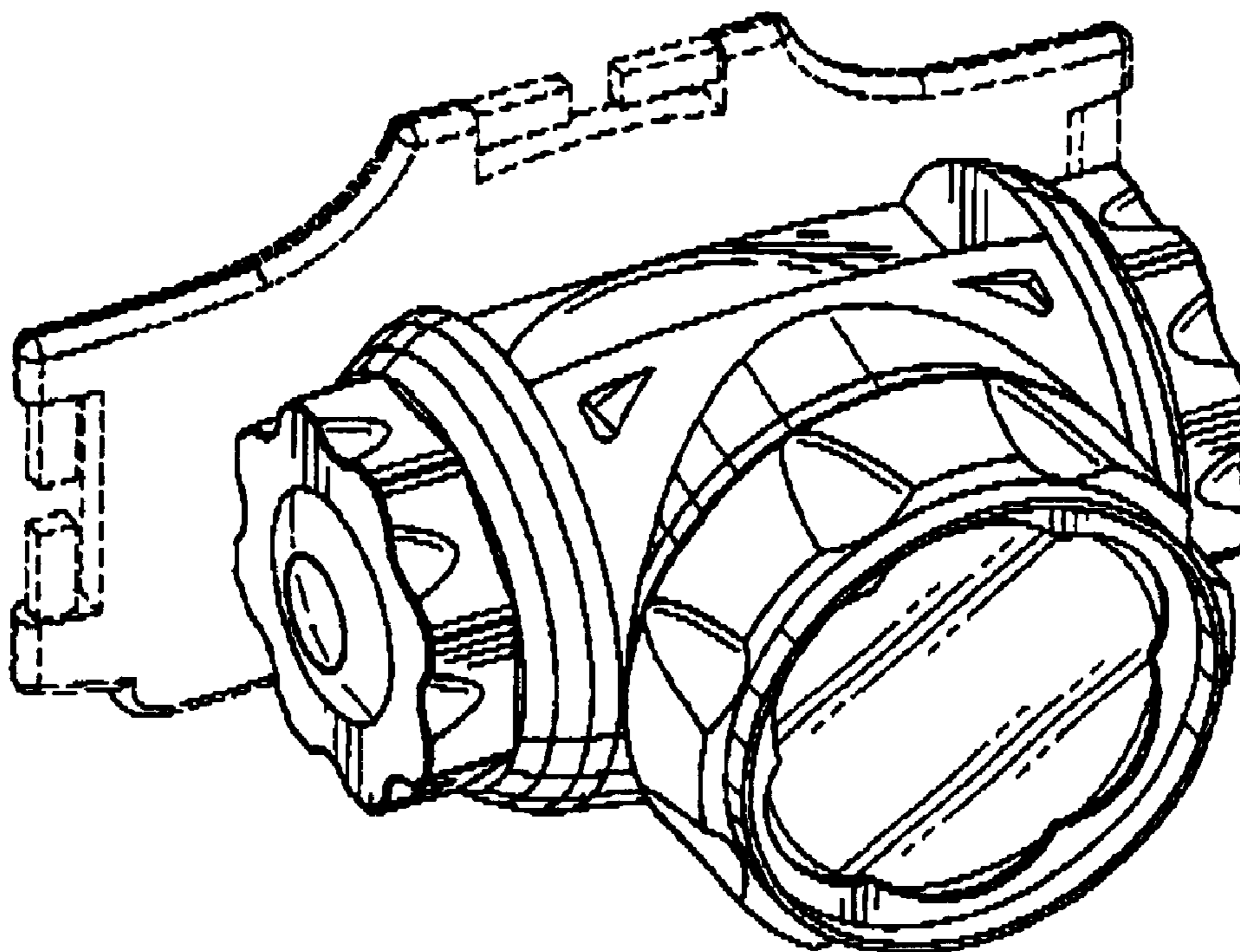
FIG. 1 is a perspective view of electric torch for headgear showing my new design;
FIG. 2 is a front elevational view thereof;
FIG. 3 is a rear elevational view thereof;
FIG. 4 is a left side elevational view thereof;
FIG. 5 is a right side elevational view thereof;
FIG. 6 is a top plan view thereof; and,
FIG. 7 is a bottom plan view thereof.
The portions shown in dashed lines are for illustrative purposes only and form no part of the claimed design.

(56) **References Cited**

U.S. PATENT DOCUMENTS

D447,587 S * 9/2001 Poon D26/39
D482,472 S * 11/2003 Shiu D26/39
D485,384 S * 1/2004 Poon D26/39

1 Claim, 3 Drawing Sheets



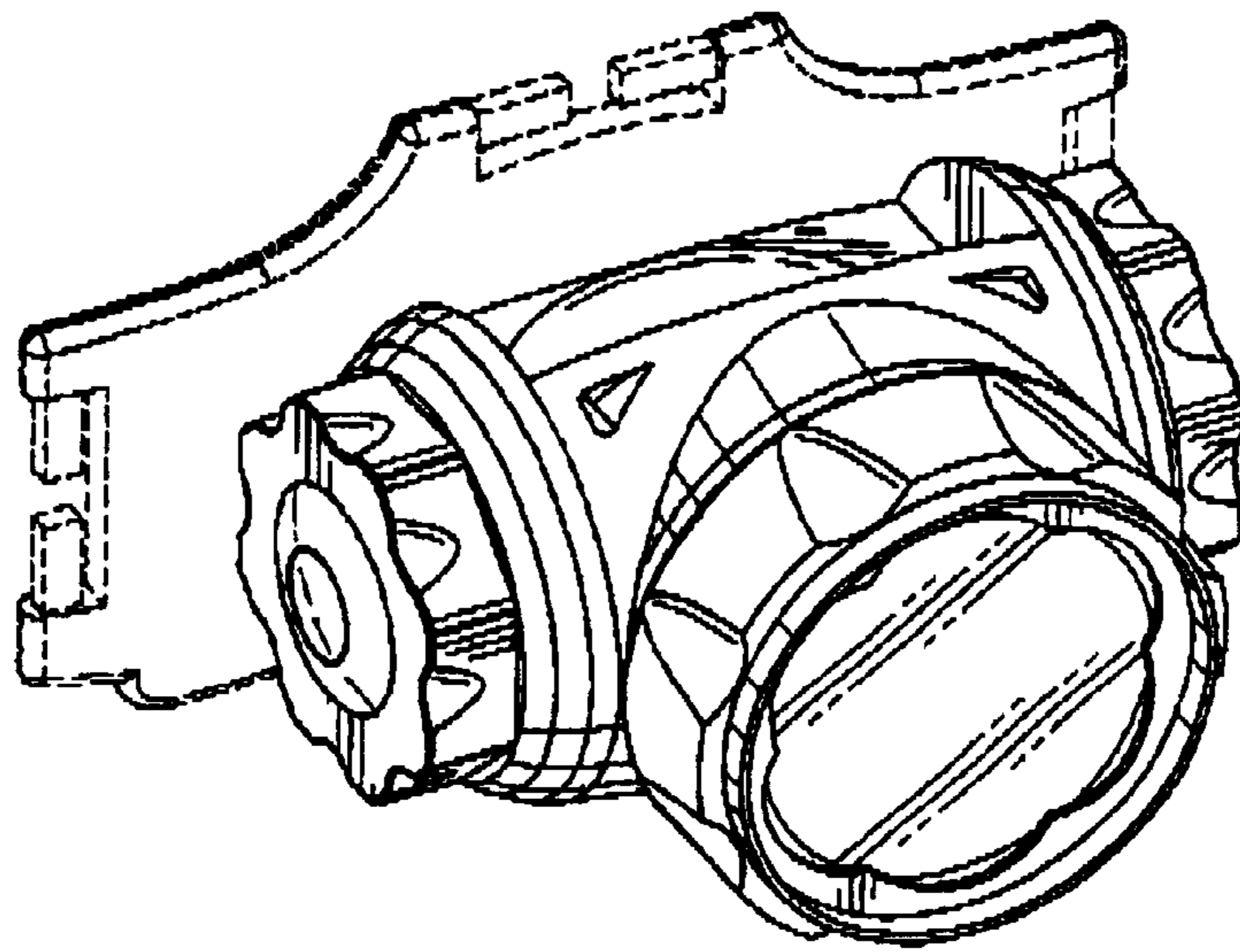


FIG. 1

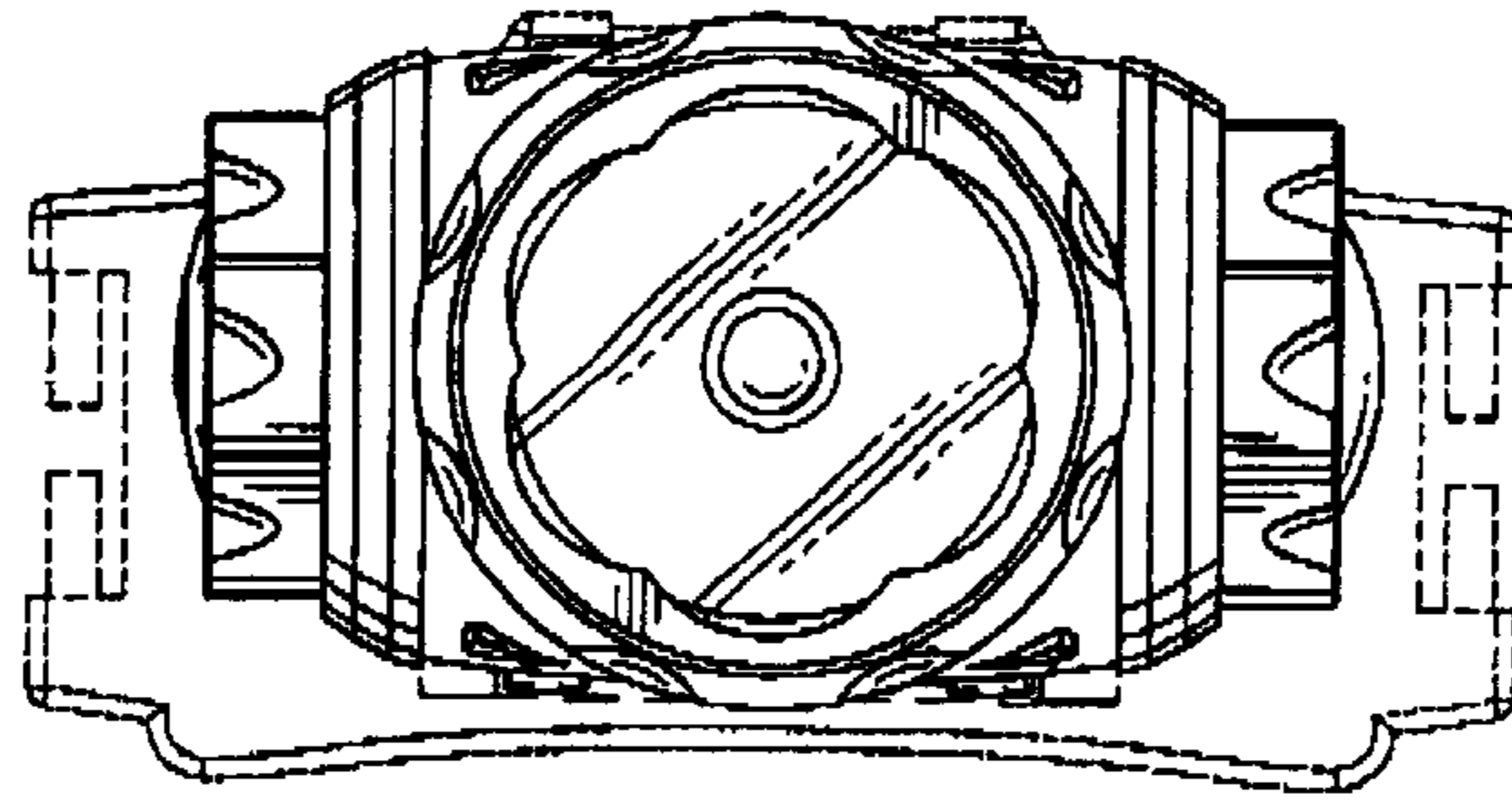


FIG. 2

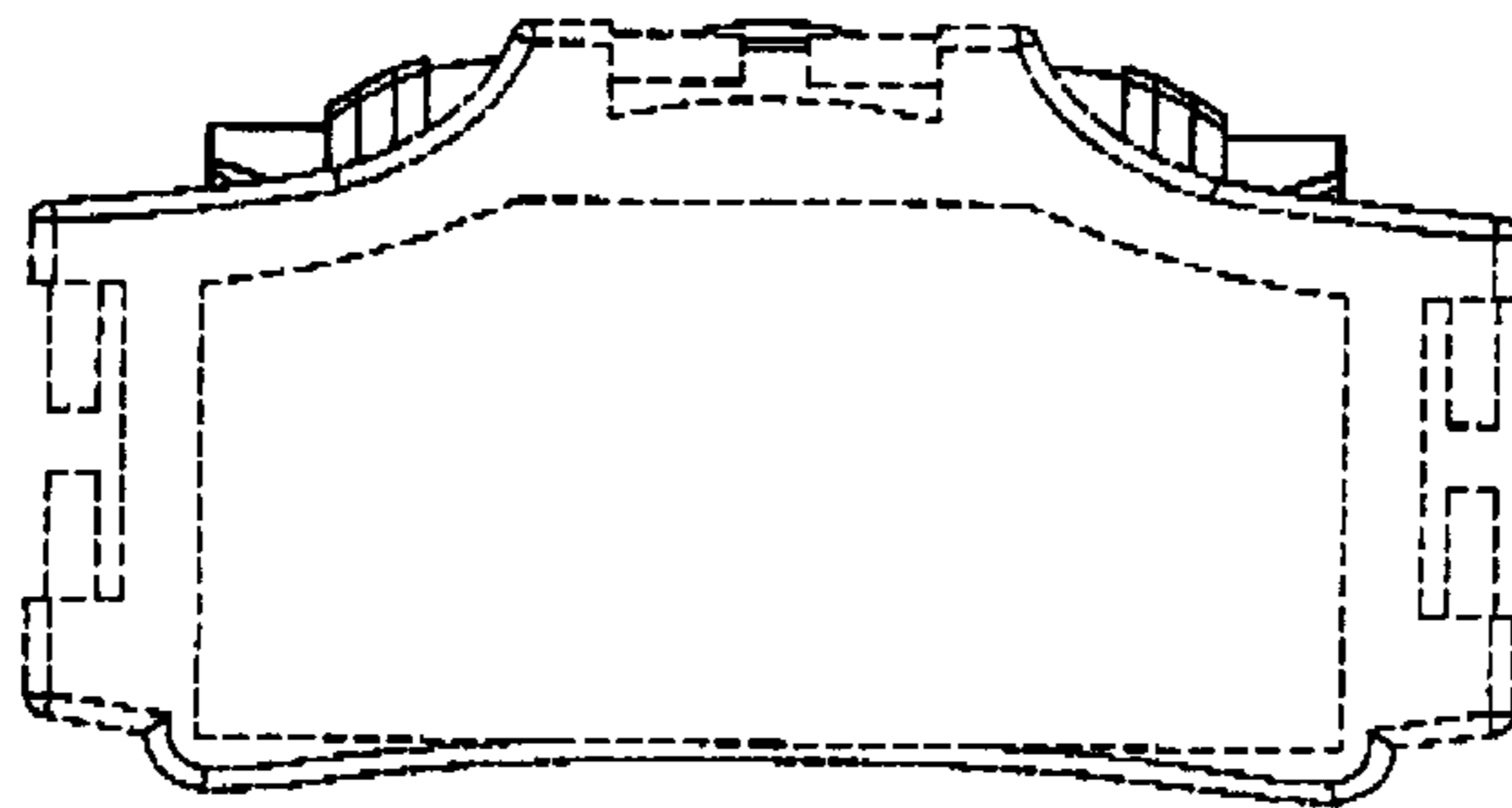


FIG. 3

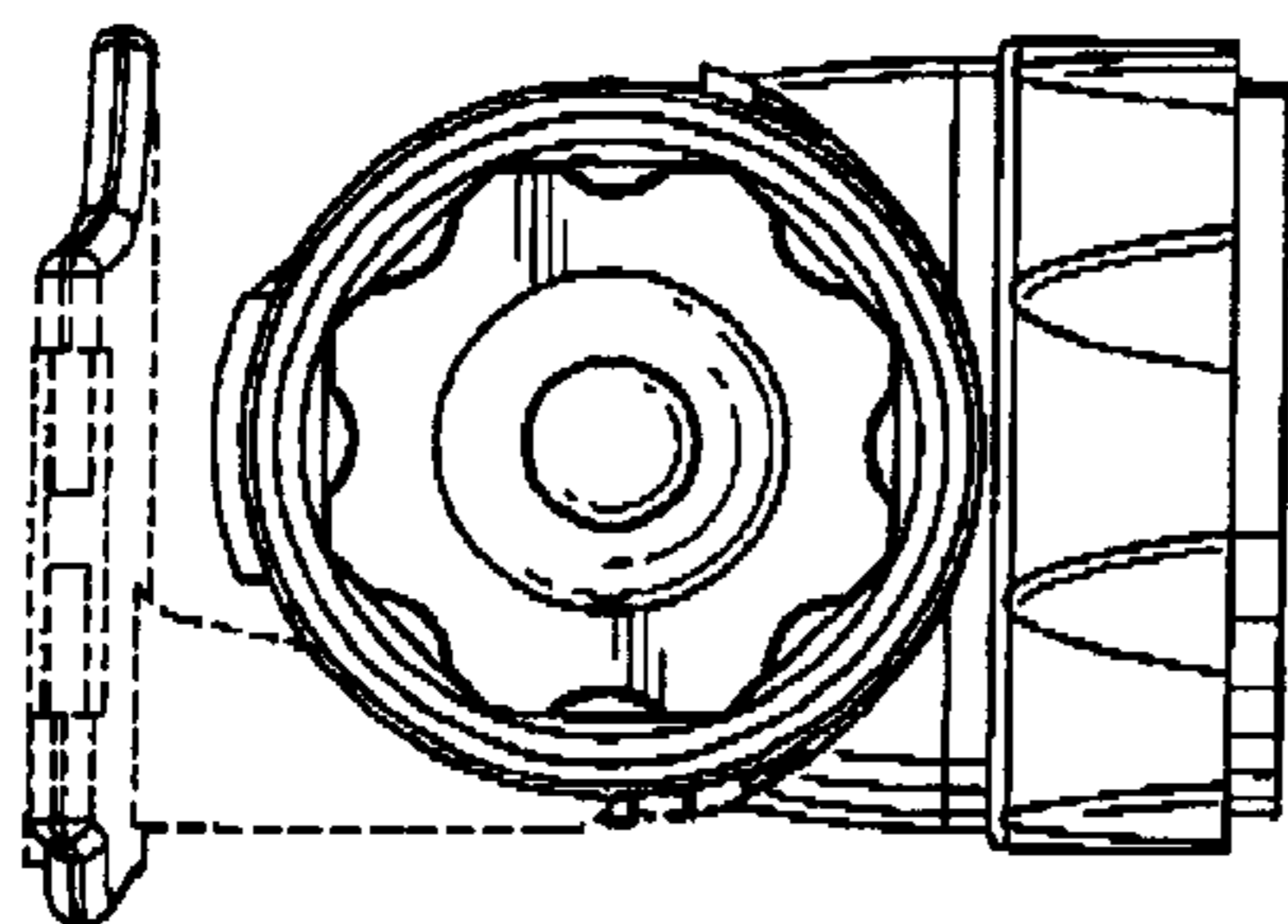


FIG. 4

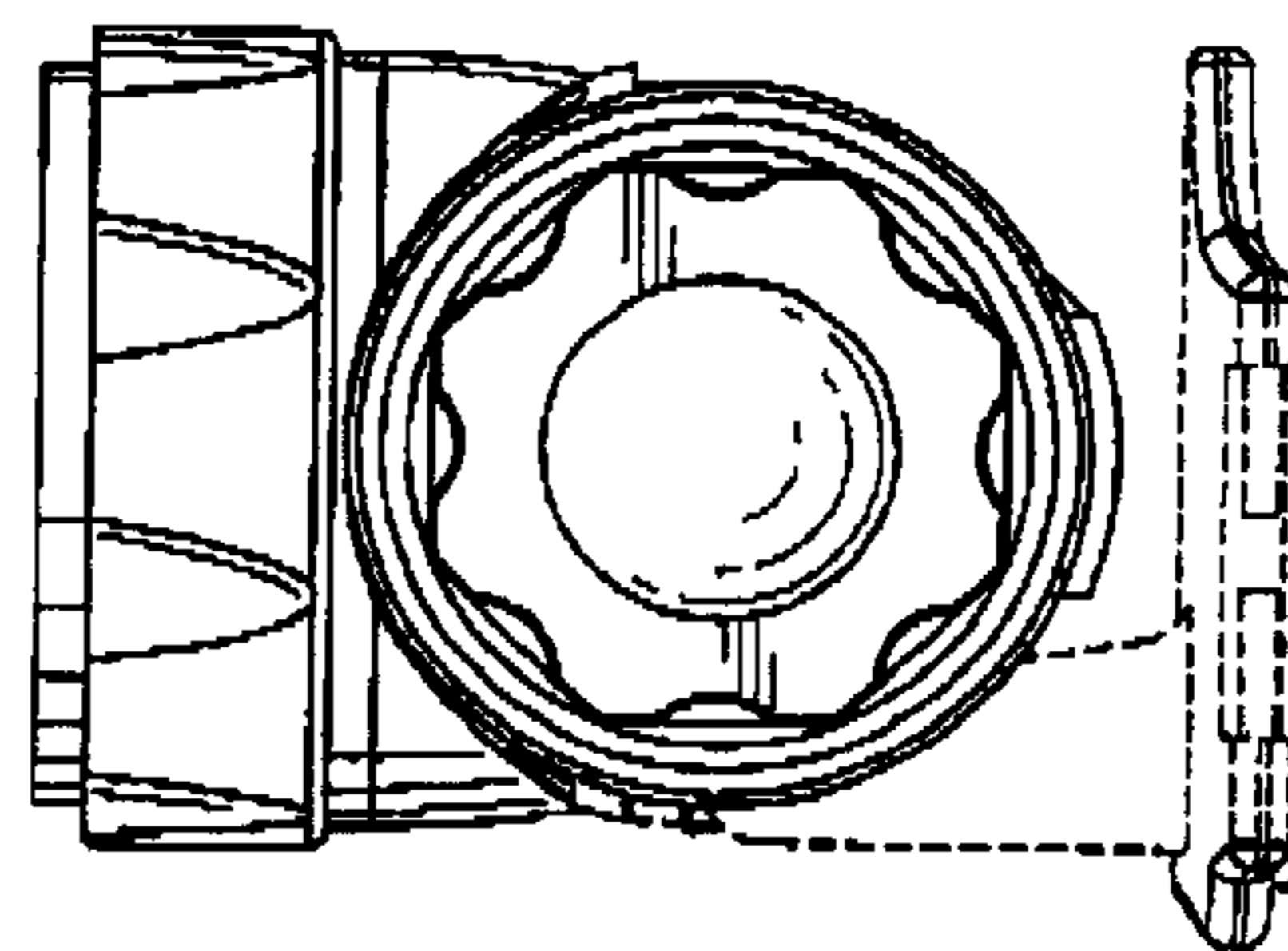


FIG. 5

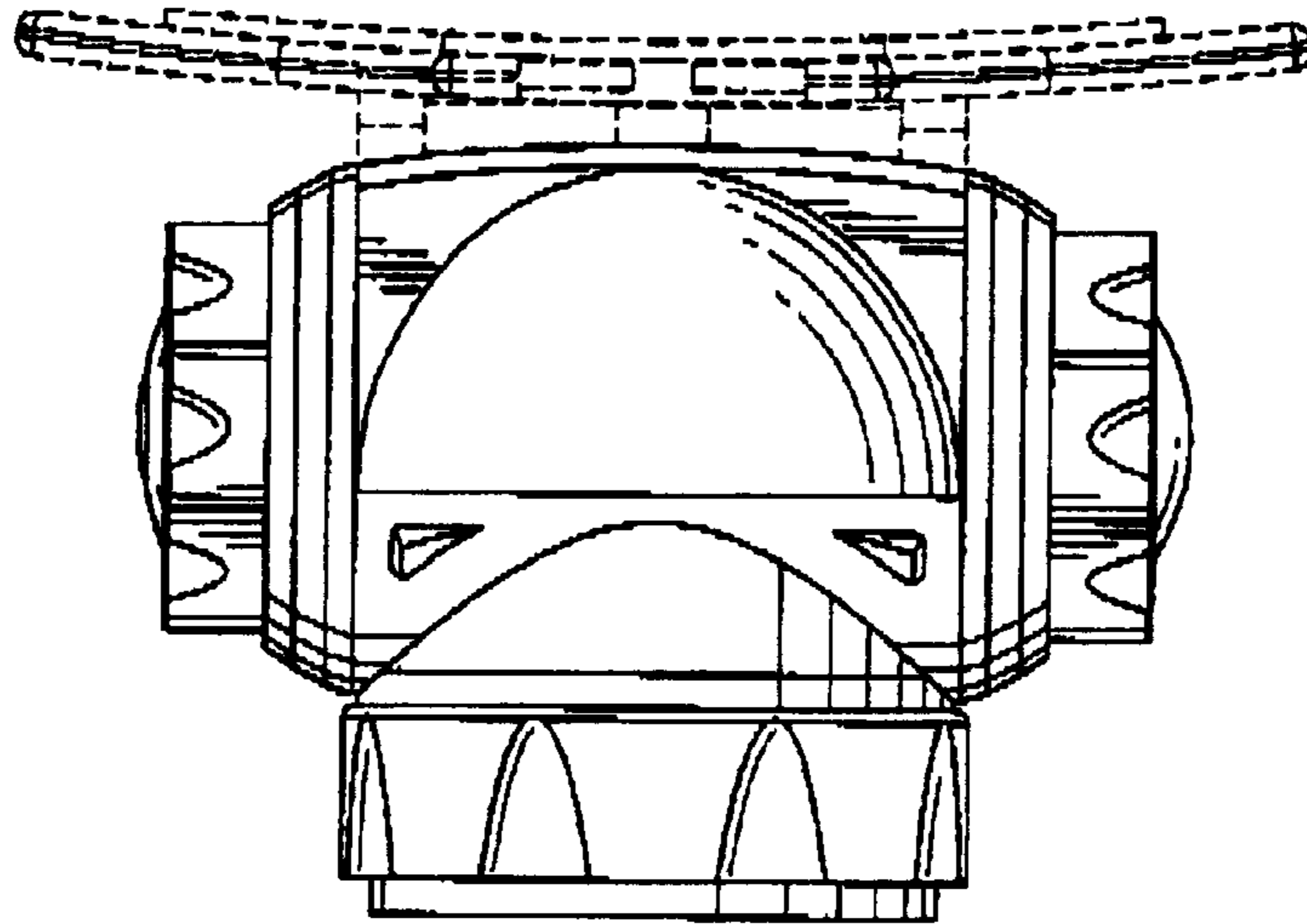


FIG. 6

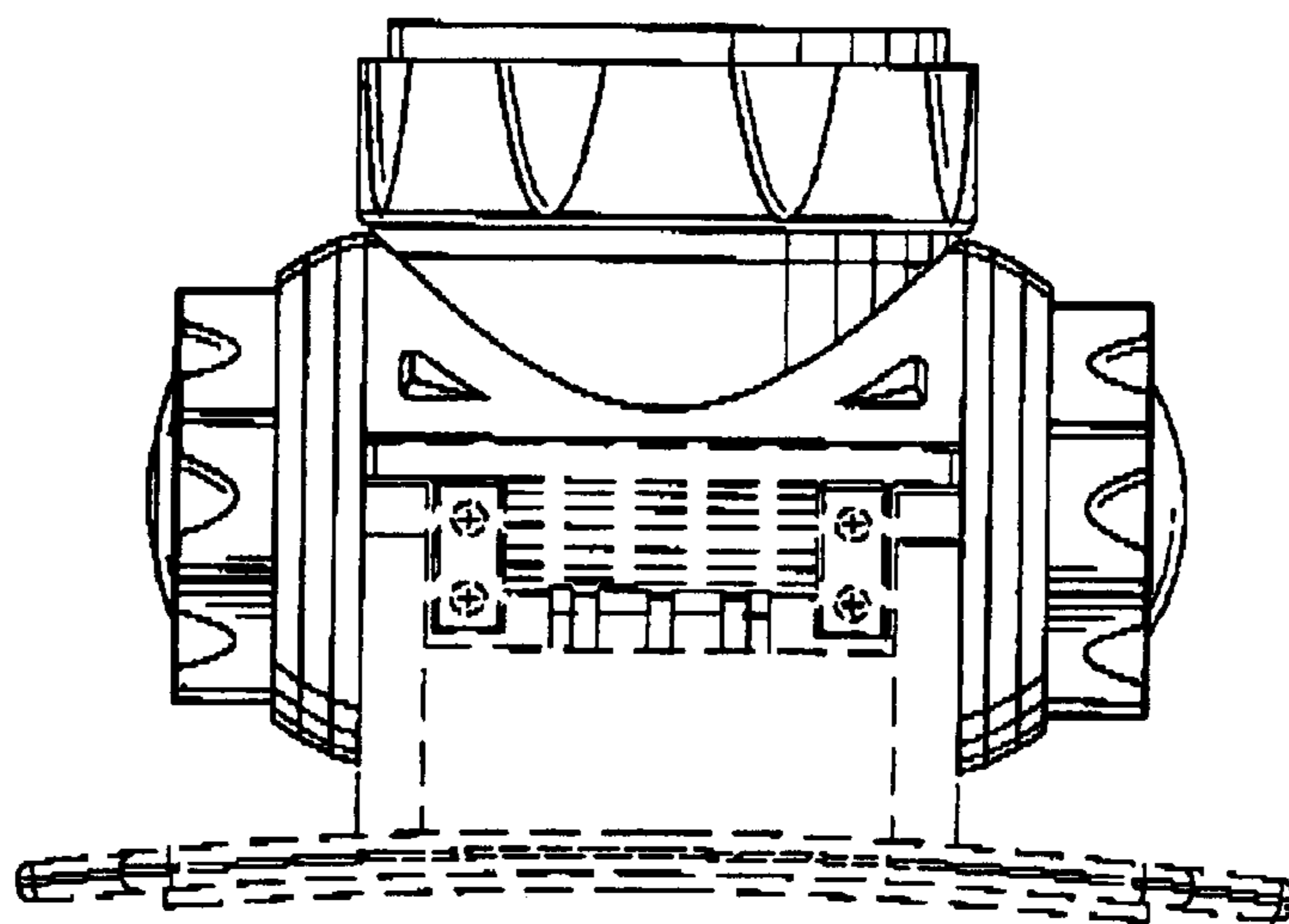


FIG. 7