



US00D525729S

(12) **United States Design Patent**  
**Yeh**

(10) **Patent No.:** **US D525,729 S**

(45) **Date of Patent:** **\*\* Jul. 25, 2006**

(54) **VEHICLE LIGHT**

(75) Inventor: **Keng-Chin Yeh**, Taipei (TW)

(73) Assignee: **Grang Fair Industrial Co., Ltd.**,  
Taipei (TW)

(\*\*) Term: **14 Years**

(21) Appl. No.: **29/235,492**

(22) Filed: **Aug. 3, 2005**

(51) **LOC (8) Cl.** ..... **26-06**

(52) **U.S. Cl.** ..... **D26/28**

(58) **Field of Classification Search** ..... D26/28-36;  
362/459-468, 475-478, 485-487

See application file for complete search history.

(56) **References Cited**

**U.S. PATENT DOCUMENTS**

D375,180 S \* 10/1996 Lyons ..... D26/28

D434,510 S \* 11/2000 Lodhie ..... D26/2

D506,844 S \* 6/2005 Lin ..... D26/28

D510,149 S \* 9/2005 Huang ..... D26/28

\* cited by examiner

*Primary Examiner*—Marcus A. Jackson

(74) *Attorney, Agent, or Firm*—Rosenberg, Klein & Lee

(57) **CLAIM**

The ornamental design for a vehicle light, as shown and described.

**DESCRIPTION**

FIG. 1 is a perspective view of a vehicle light showing my new design;

FIG. 2 is a front elevational view thereof;

FIG. 3 is a rear elevational view thereof;

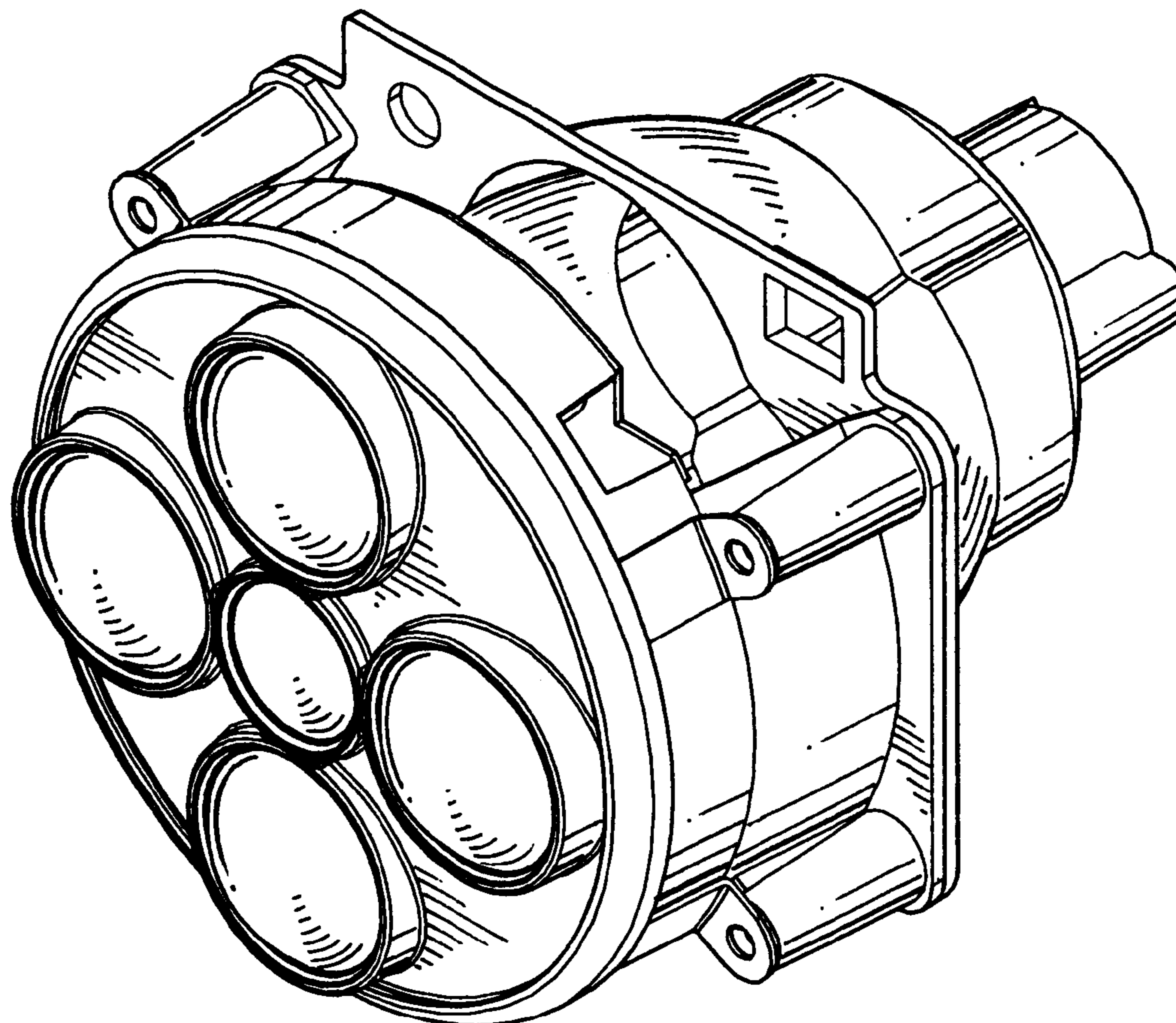
FIG. 4 is a left side elevational view thereof;

FIG. 5 is a right side elevational view thereof;

FIG. 6 is a top plan view thereof; and,

FIG. 7 is a bottom plan view thereof.

**1 Claim, 4 Drawing Sheets**



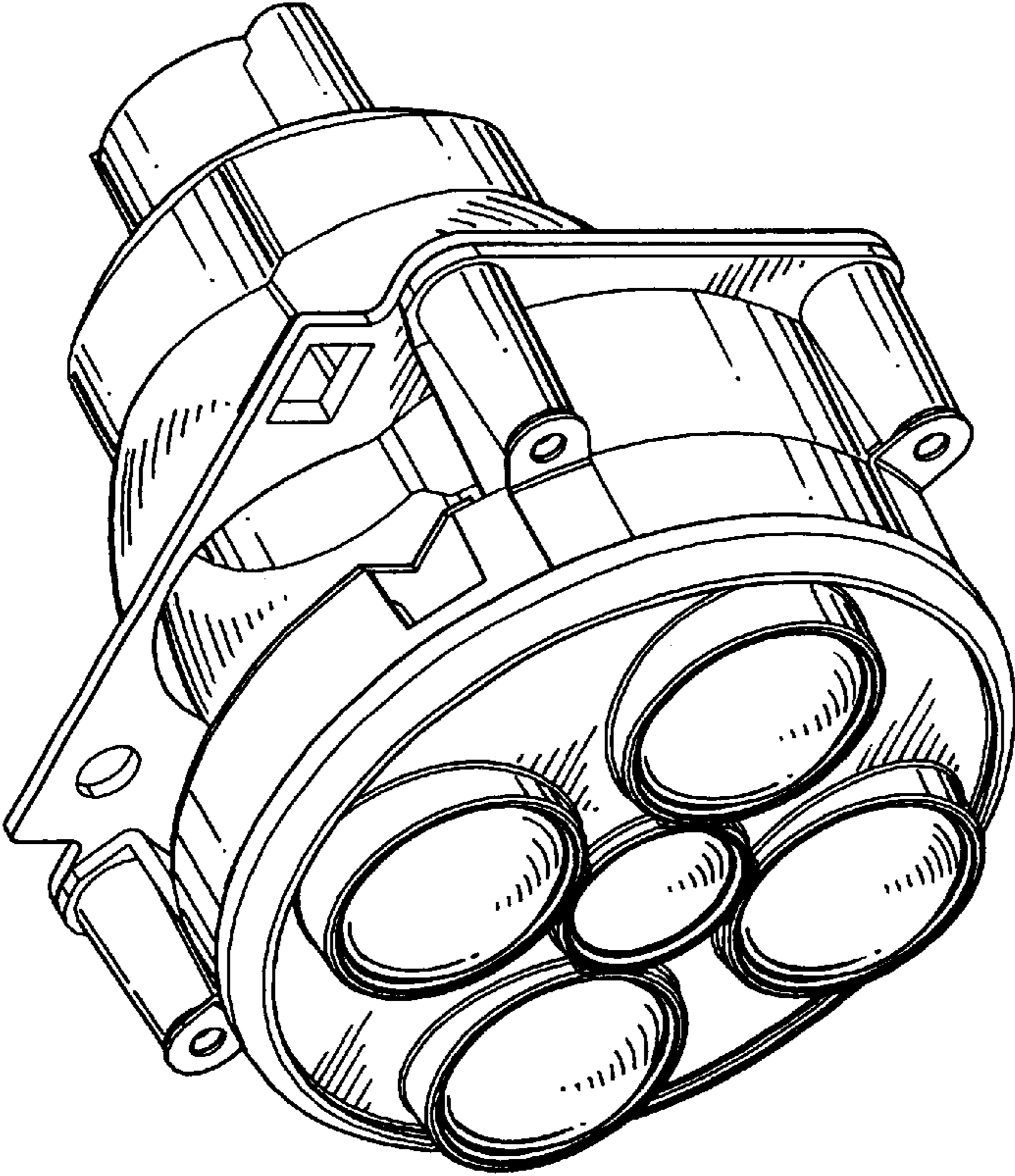


FIG. 1

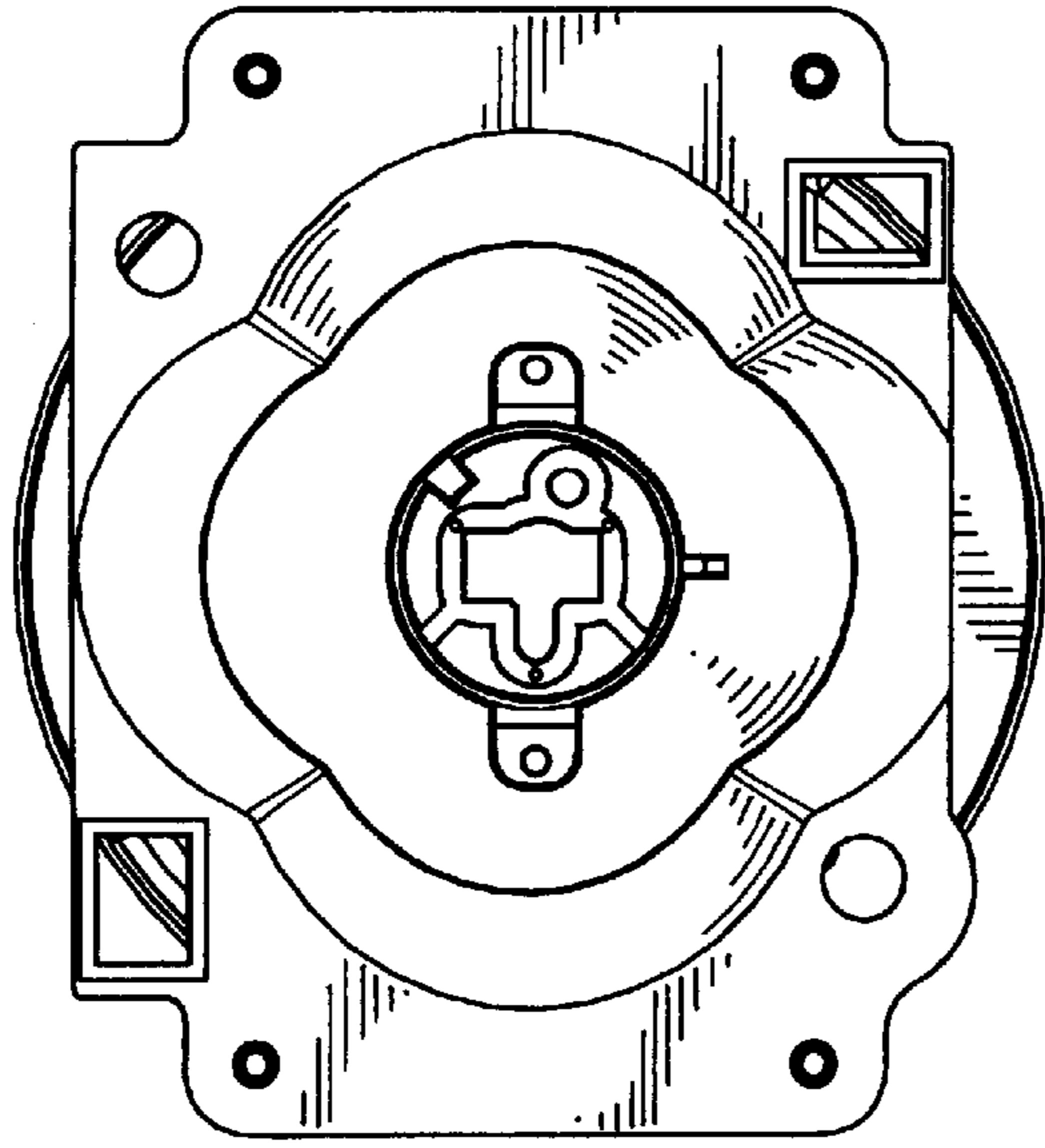


FIG. 3

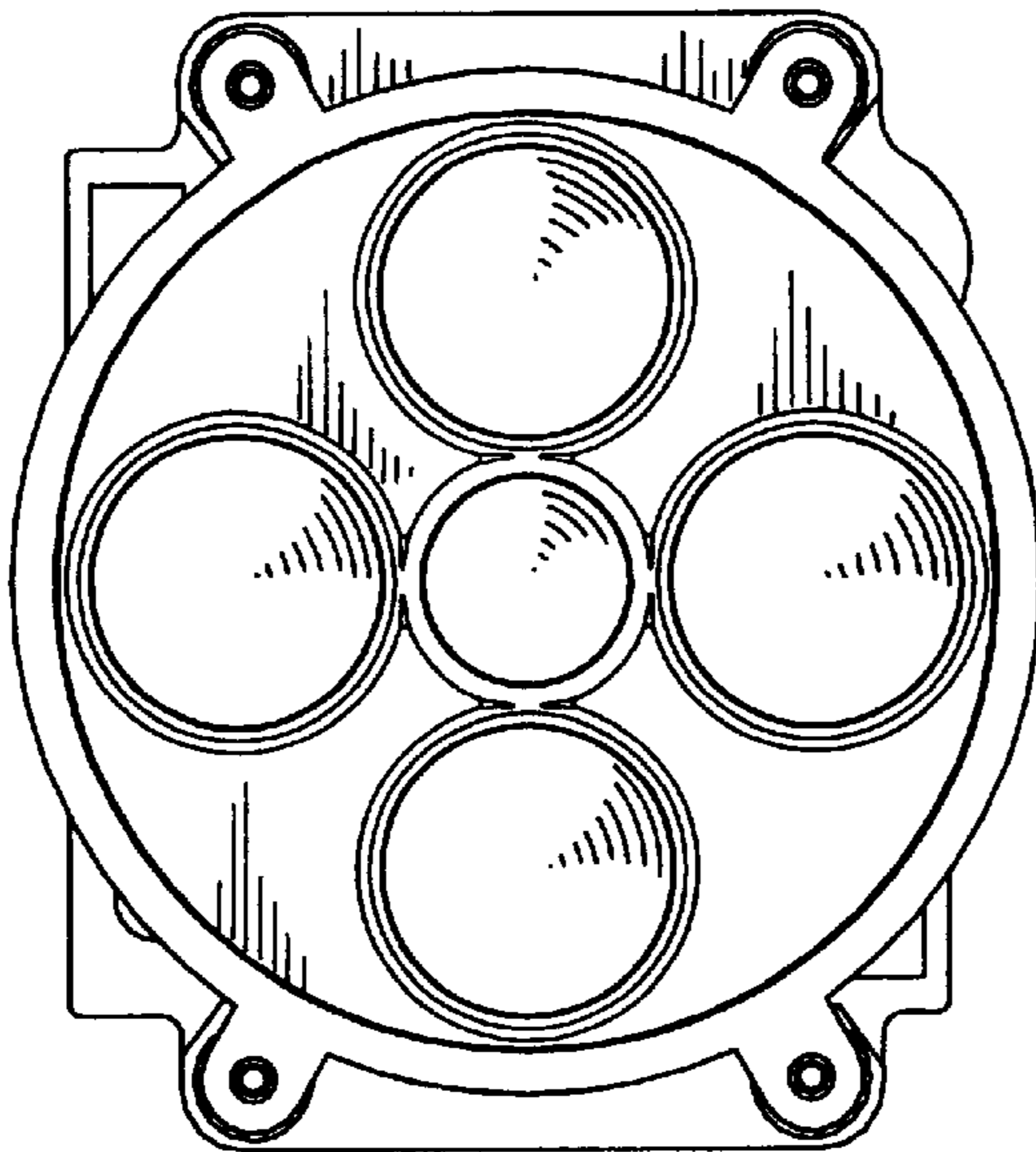


FIG. 2

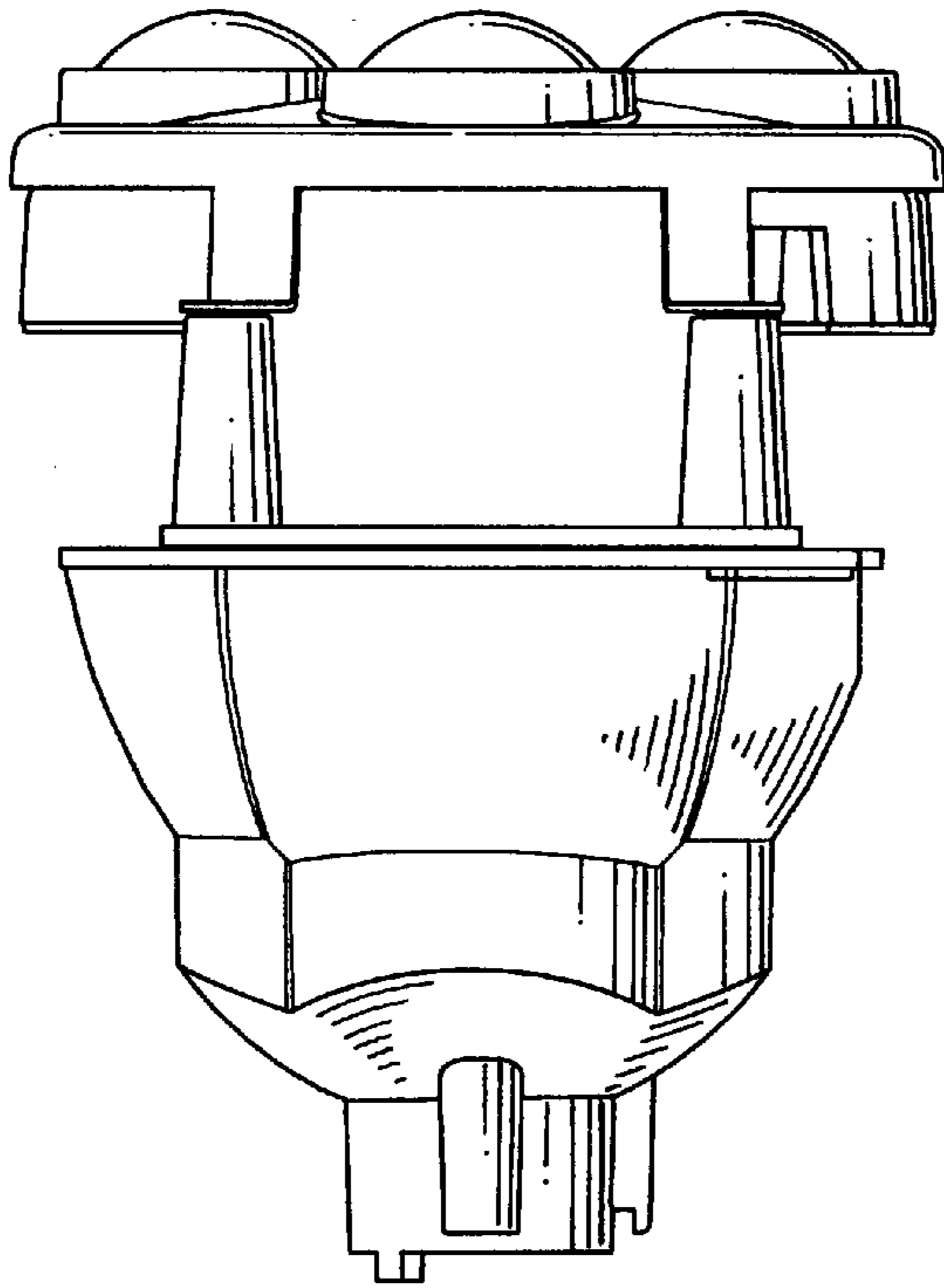


FIG. 4

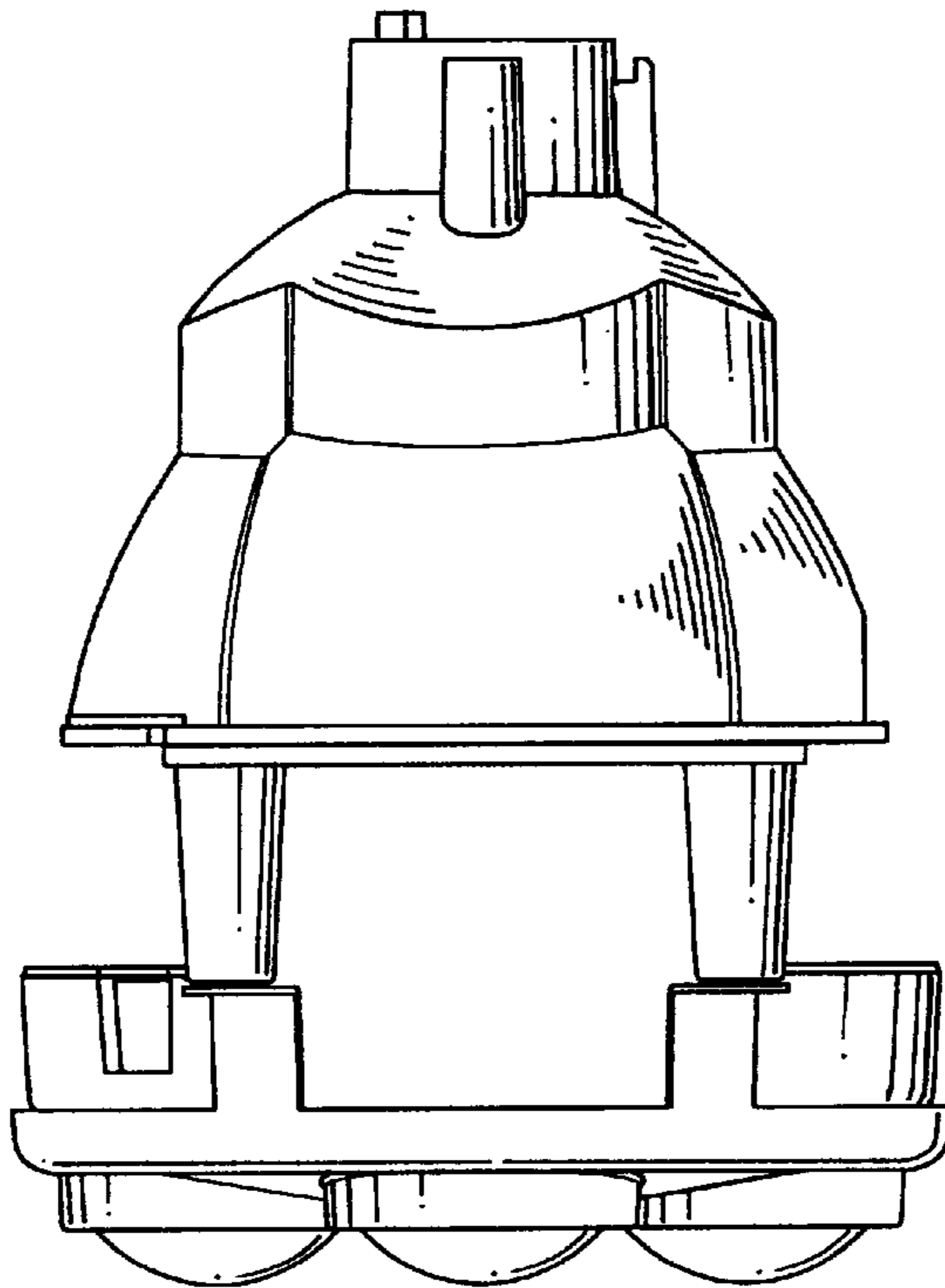


FIG. 5

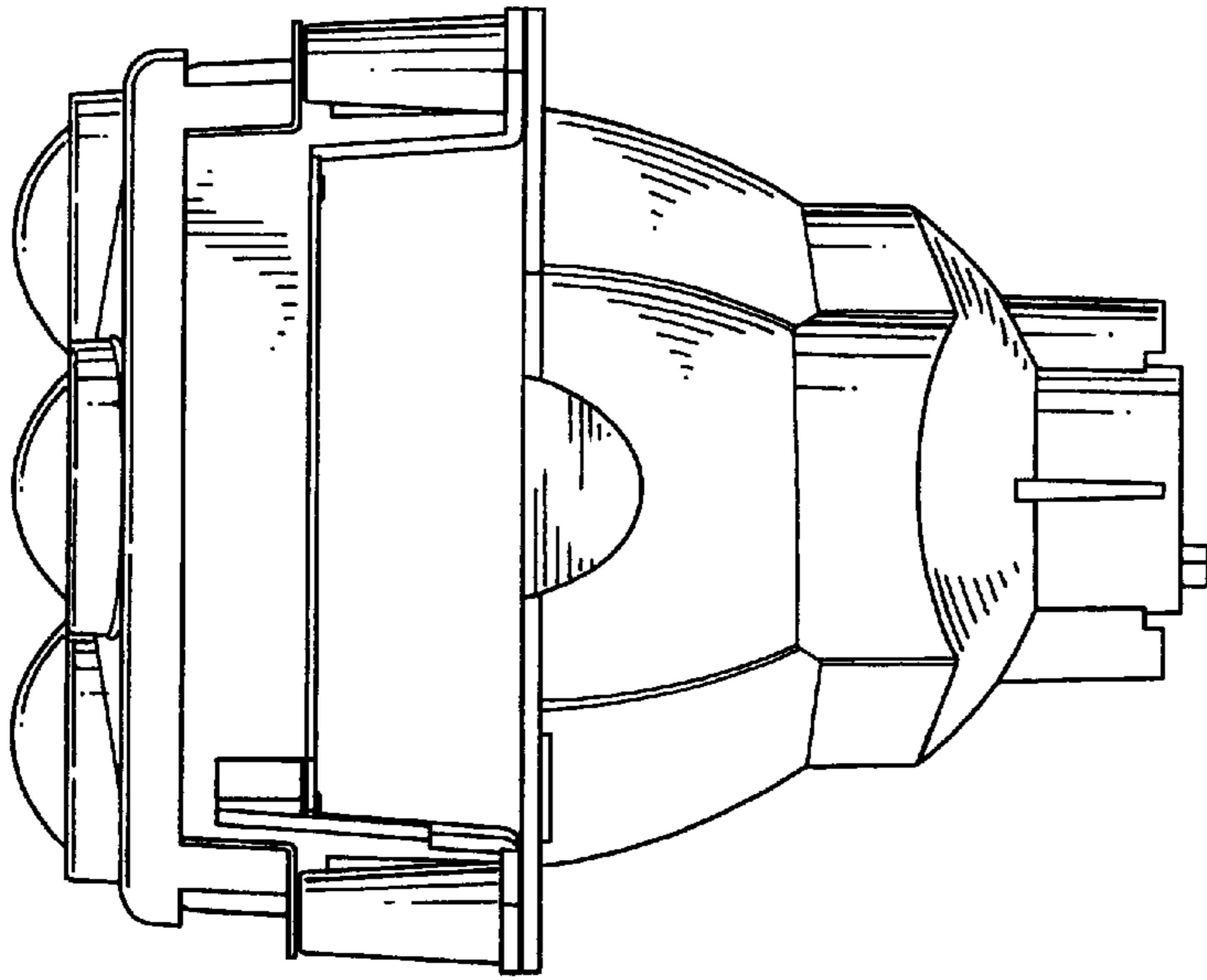


FIG. 7

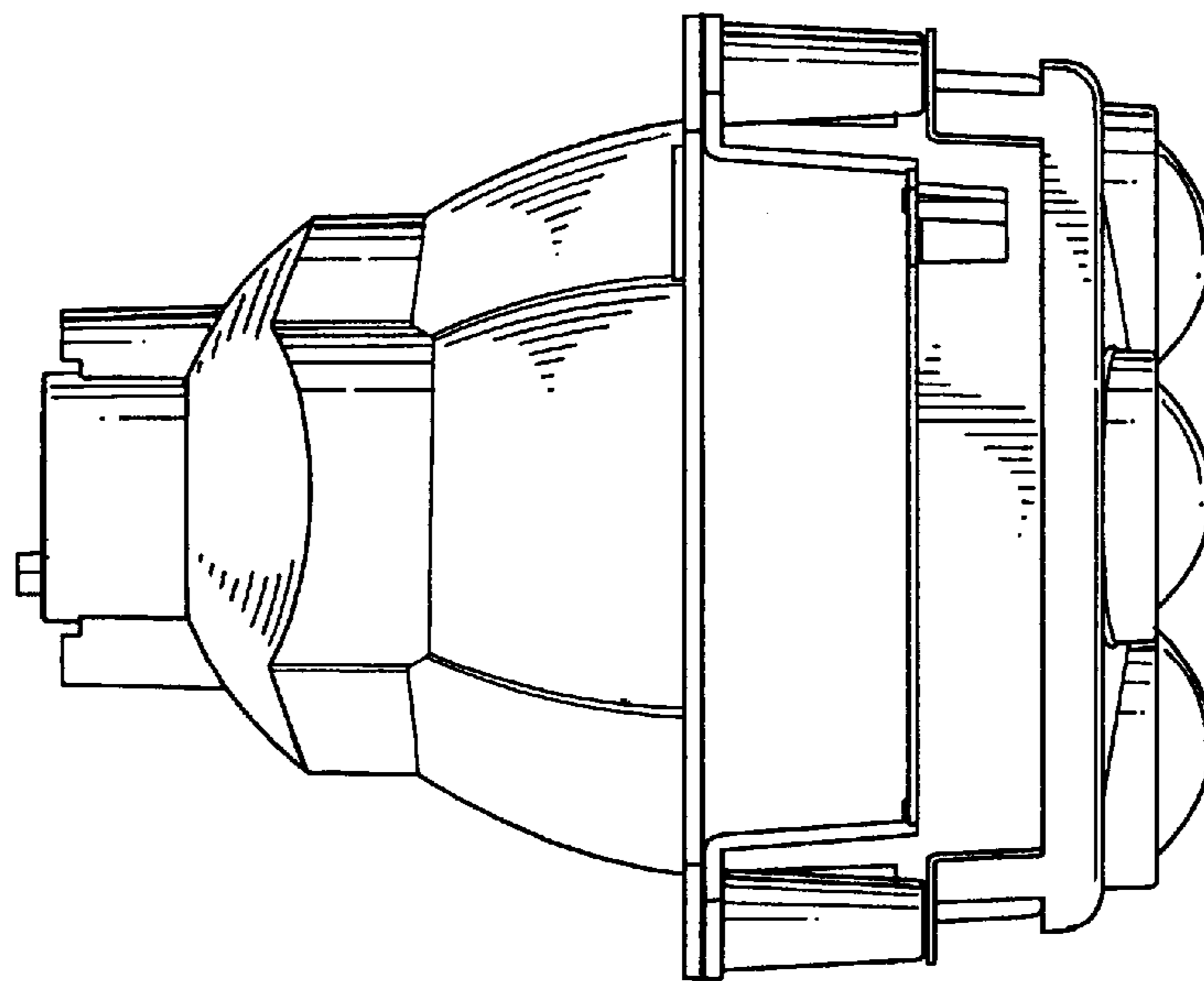


FIG. 6