

US00D525714S

(12) **United States Design Patent**  
**Ueda**

(10) **Patent No.:** **US D525,714 S**  
(45) **Date of Patent:** **\*\* Jul. 25, 2006**

(54) **RACK FOR PIPETTES**  
(75) Inventor: **Makoto Ueda**, Kakogawa (JP)  
(73) Assignee: **Sysmex Corporation**, Hyogo (JP)  
(\*\*) Term: **14 Years**

6,221,317 B1 \* 4/2001 Carl ..... 422/104  
6,247,891 B1 \* 6/2001 Lind ..... 422/300  
6,514,466 B1 \* 2/2003 Labriola et al. .... 422/104  
6,682,703 B1 \* 1/2004 Micklash et al. .... 422/102  
2005/0136534 A1 \* 6/2005 Austin et al. .... 435/287.2  
2005/0194394 A1 \* 9/2005 Ueda et al. .... 422/63

(21) Appl. No.: **29/224,821**  
(22) Filed: **Mar. 7, 2005**

FOREIGN PATENT DOCUMENTS

JP H11-002590 1/1999  
JP 2001-157847 A 6/2001

(30) **Foreign Application Priority Data**  
Oct. 12, 2004 (JP) ..... 2004-030754  
(51) **LOC (8) Cl.** ..... **24-02**  
(52) **U.S. Cl.** ..... **D24/227**  
(58) **Field of Classification Search** ..... D24/224-232;  
D3/203.1; D9/424-425, 432; 206/443; 422/63-66,  
422/100-104  
See application file for complete search history.

\* cited by examiner

*Primary Examiner*—Robert A. Delehanty  
*Assistant Examiner*—Mark Cavanna  
(74) *Attorney, Agent, or Firm*—Brinks Hofer Gilson & Lione

(56) **References Cited**  
U.S. PATENT DOCUMENTS  
3,937,322 A \* 2/1976 Cohen ..... 206/216  
4,235,338 A \* 11/1980 Dugan et al. .... 206/443  
4,772,418 A \* 9/1988 Leoncavallo ..... 422/310  
5,392,914 A \* 2/1995 Lemieux et al. .... 206/499  
5,456,360 A \* 10/1995 Griffin ..... 206/443  
5,622,676 A \* 4/1997 Lind ..... 422/104  
D413,803 S \* 9/1999 Albright et al. .... D9/423

(57) **CLAIM**  
We claim the ornamental design for a rack for pipettes, as shown and described.

**DESCRIPTION**

FIG. 1 is a perspective view of a rack for pipettes showing my new design;  
FIG. 2 is a front elevation view thereof;  
FIG. 3 is a top plane view thereof; and,  
FIG. 4 is a bottom plane view thereof.  
The right, left and rear views of the design are identical to the front view and therefore omitted.

**1 Claim, 2 Drawing Sheets**

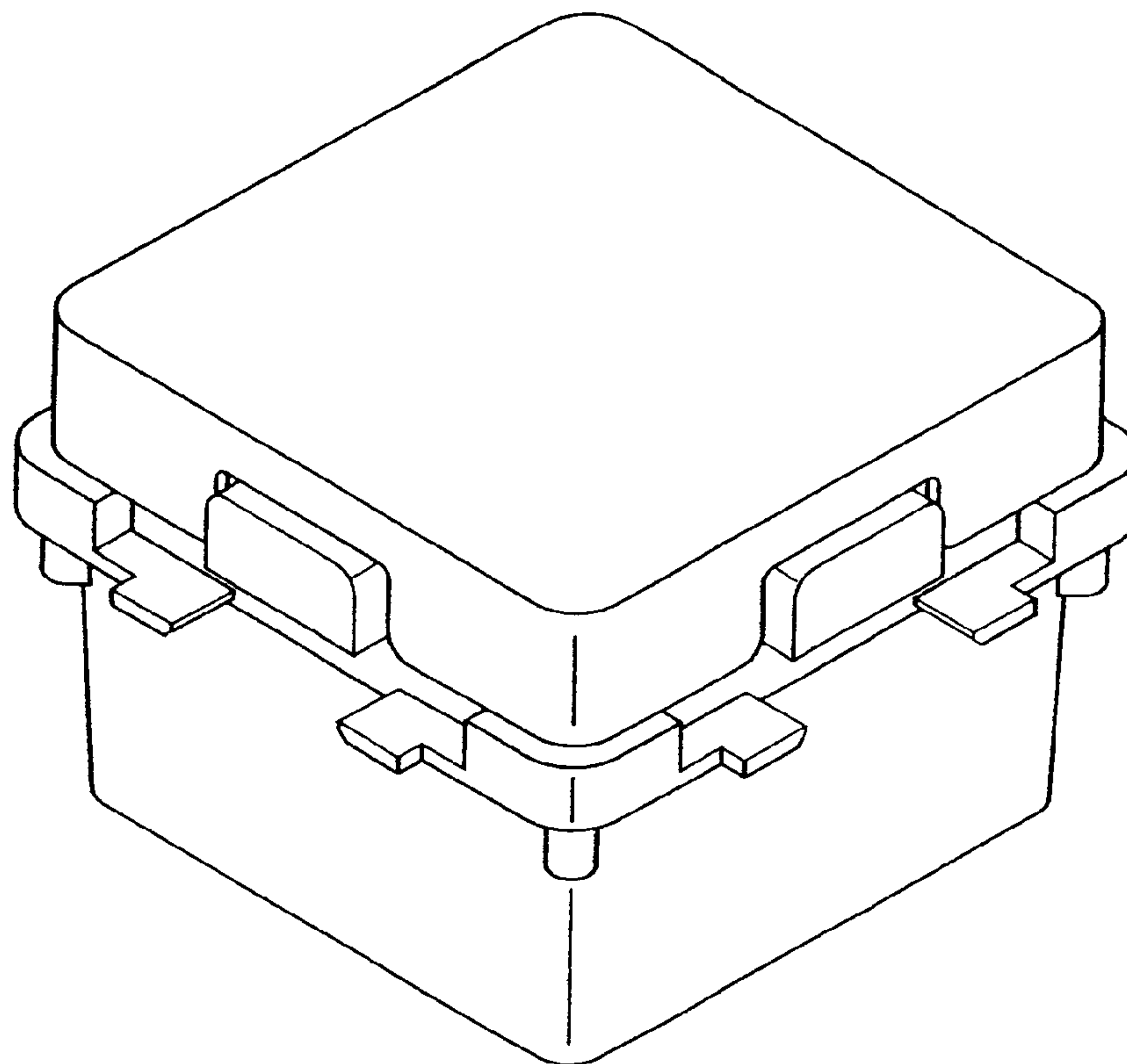


FIG.1

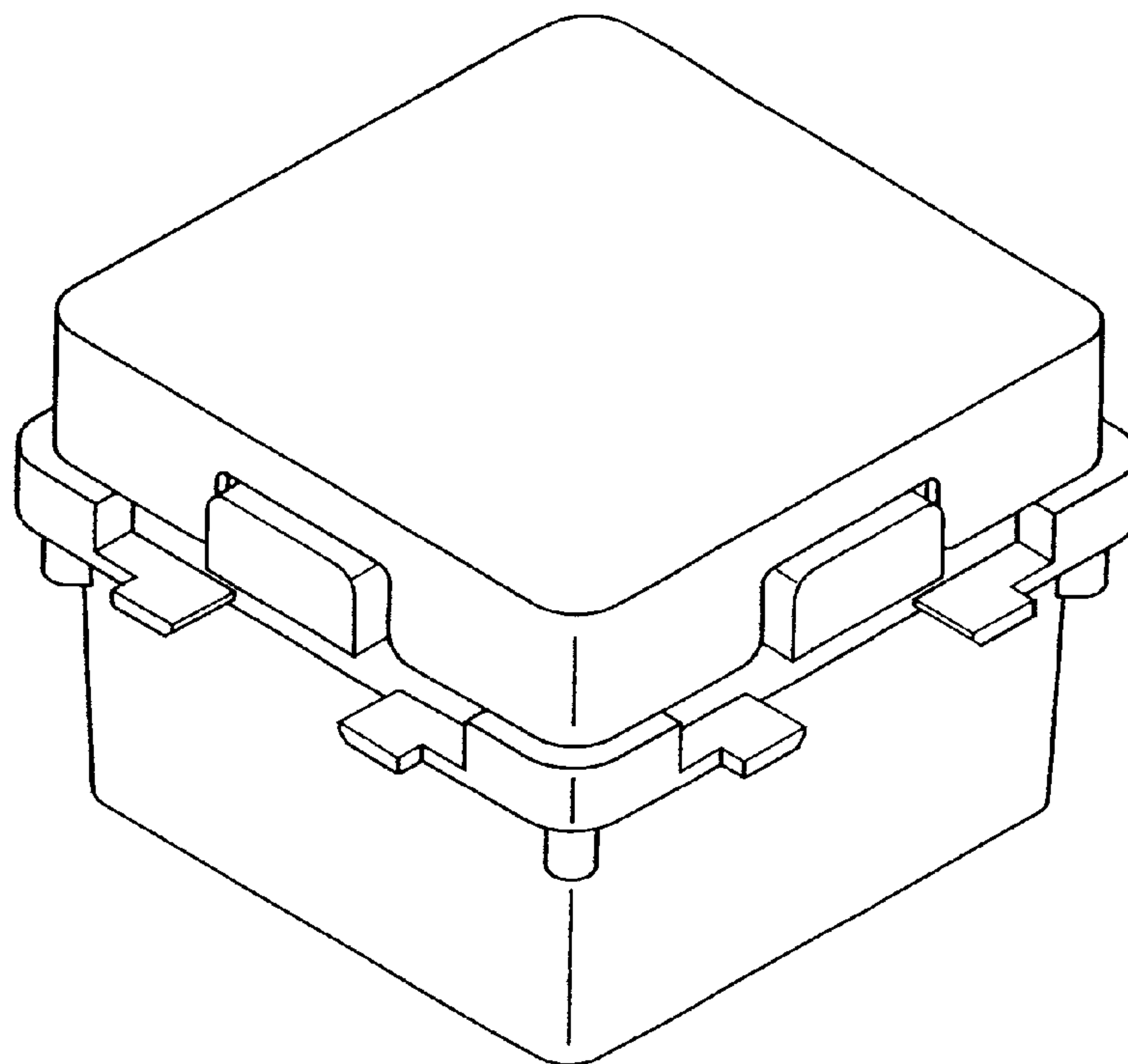


FIG.2

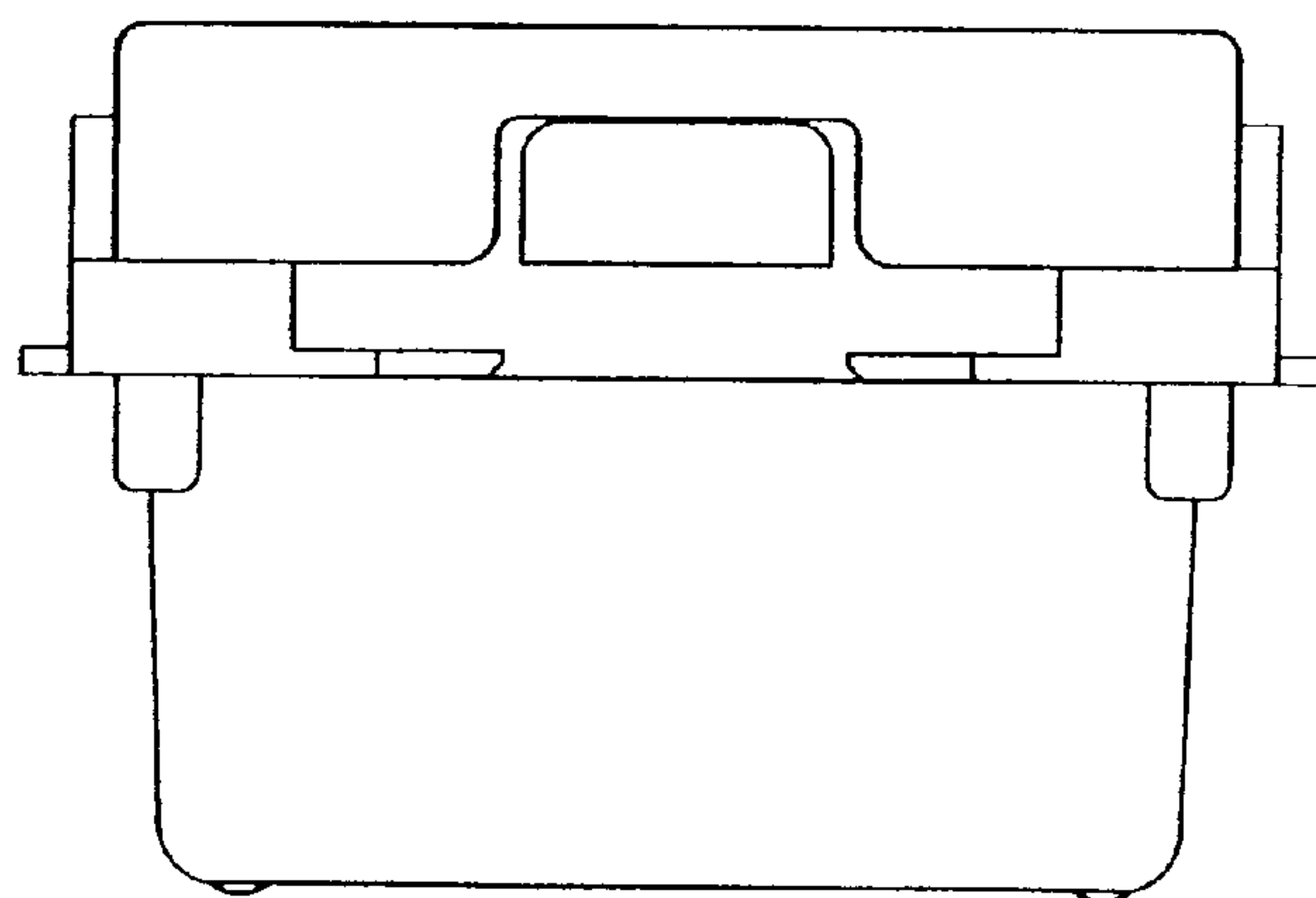


FIG.3

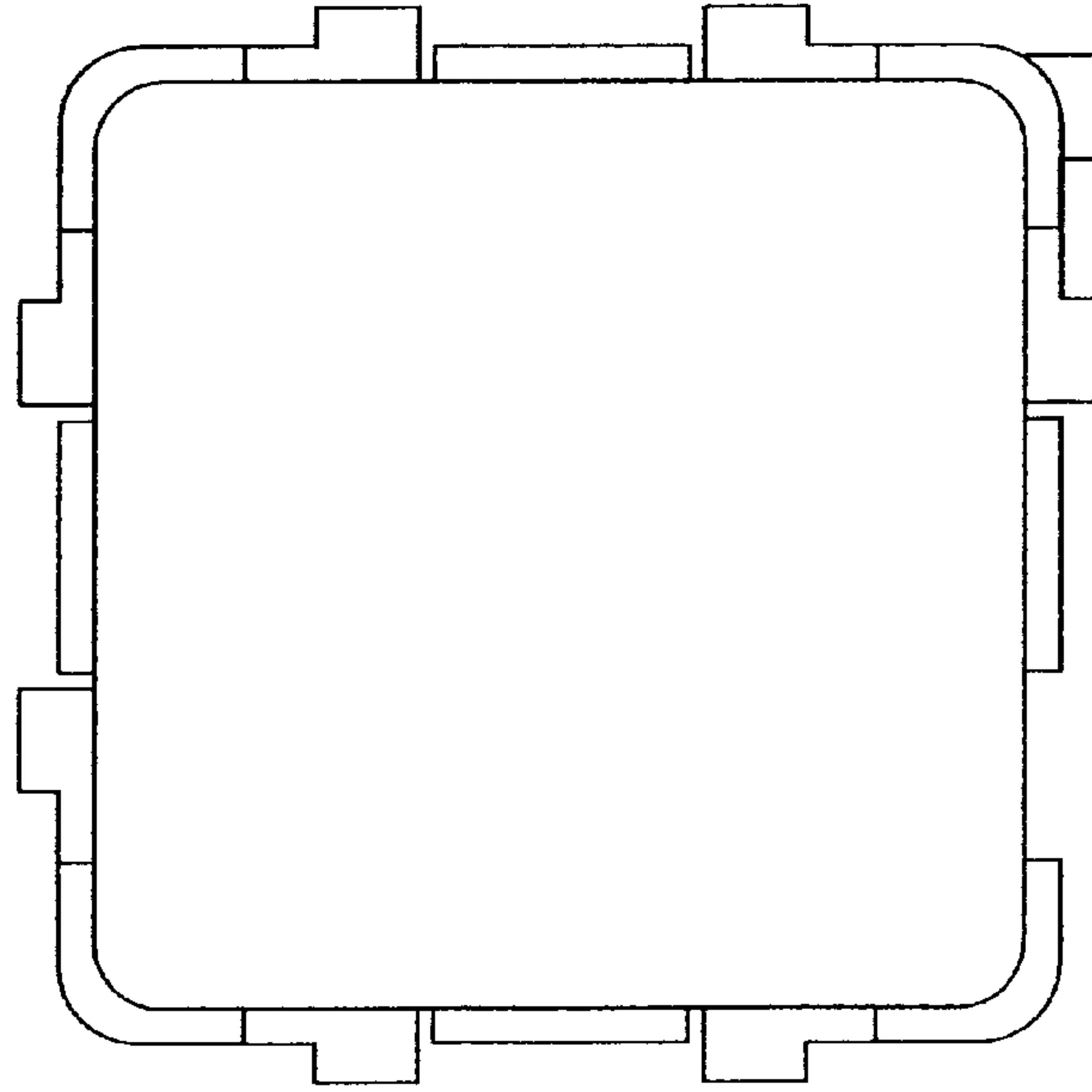


FIG.4

