

US00D525709S

(12) **United States Design Patent**  
**Boiten**

(10) **Patent No.:** **US D525,709 S**

(45) **Date of Patent:** **\*\* Jul. 25, 2006**

(54) **KNEE JOINT FOR PROSTHESIS**

(75) Inventor: **Herman Boiten**, Göttingen (DE)

(73) Assignee: **Otto Bock Healthcare GmbH**,  
Duderstadt (DE)

(\*\*) Term: **14 Years**

(21) Appl. No.: **29/219,776**

(22) Filed: **Dec. 22, 2004**

(30) **Foreign Application Priority Data**

Jun. 28, 2004 (EP) ..... 000195250

(51) **LOC (8) Cl.** ..... **24-03**

(52) **U.S. Cl.** ..... **D24/155**

(58) **Field of Classification Search** ..... D24/107,  
D24/155, 156, 157, 152; 606/60, 64, 69-72,  
606/74, 76, 151; 623/13.12, 18.11, 20.14-20.36,  
623/36, 39

See application file for complete search history.

(56) **References Cited**

**U.S. PATENT DOCUMENTS**

4,911,709 A \* 3/1990 Marlow et al. .... 623/39  
5,545,232 A \* 8/1996 Van de Veen ..... 623/39  
D383,542 S \* 9/1997 Wellershaus et al. .... D24/155  
D402,368 S \* 12/1998 Holzapfel ..... D24/155

D439,339 S \* 3/2001 Sawatzki ..... D24/155  
D446,304 S \* 8/2001 Sawatzki et al. .... D24/155  
2002/0045946 A1 \* 4/2002 Hebecker ..... 623/18.11  
2004/0059433 A1 \* 3/2004 Slemker et al. .... 623/39  
2005/0154473 A1 \* 7/2005 Bassett ..... 623/39

\* cited by examiner

*Primary Examiner*—Charles A. Rademaker

(74) *Attorney, Agent, or Firm*—Whitham, Curtis,  
Christofferson & Cook P.C.

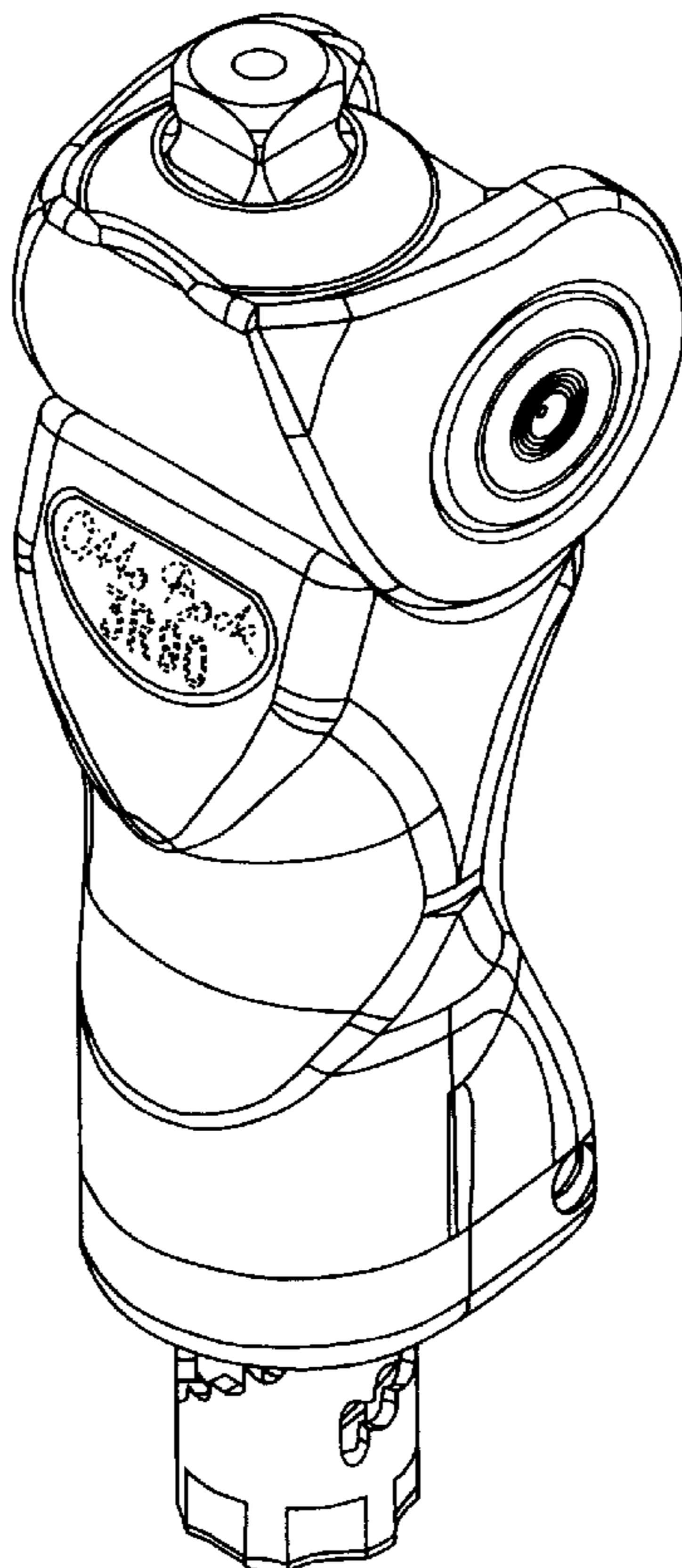
(57) **CLAIM**

I claim the ornamental design for a knee joint for prosthesis,  
as shown and described.

**DESCRIPTION**

FIG. 1 is a front elevation of a knee joint for prosthesis  
showing my new design;  
FIG. 2 is a rear elevation thereof;  
FIG. 3 is a left side elevation thereof  
FIG. 4 is a right side elevation thereof;  
FIG. 5 is a top plan view thereof;  
FIG. 6 is a bottom perspective view thereof; and,  
FIG. 7 is a top and front perspective view thereof.  
The broken line showing of portions of the design is for  
illustrative purpose only and form no part of the claimed  
design.

**1 Claim, 6 Drawing Sheets**



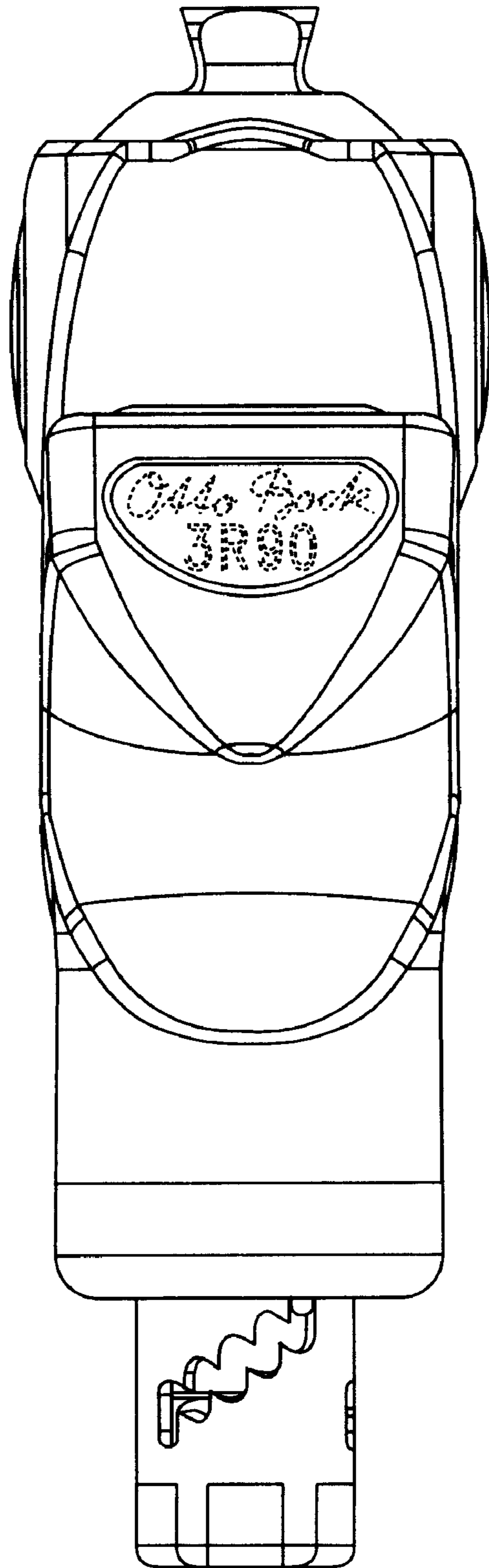


FIG. 1

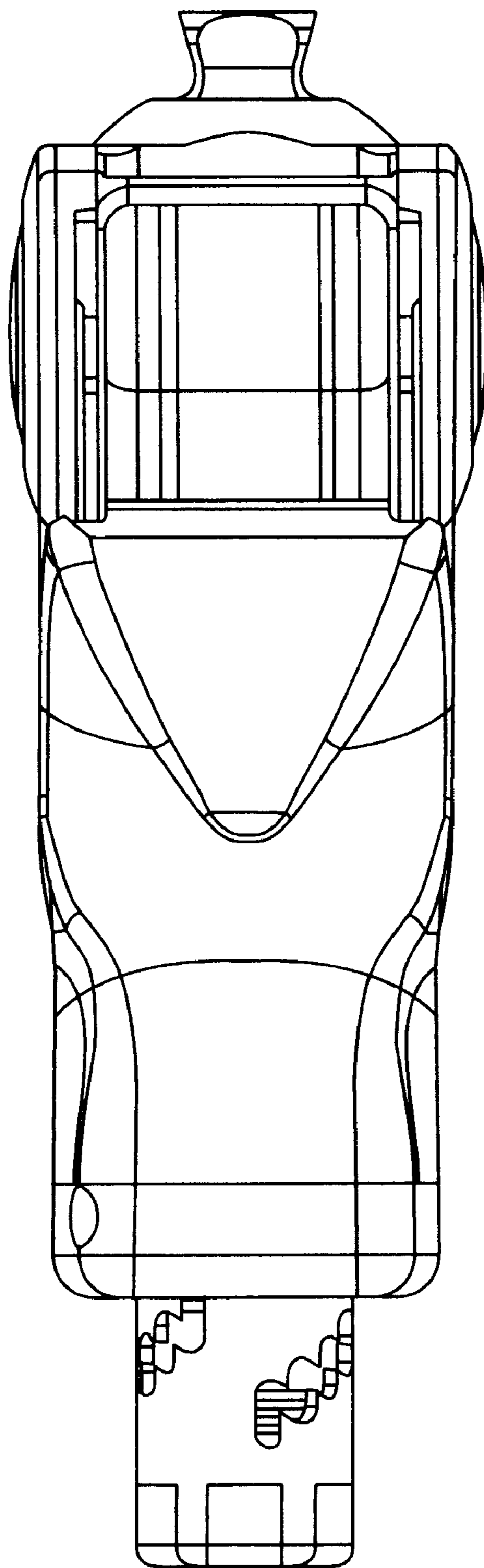


FIG. 2

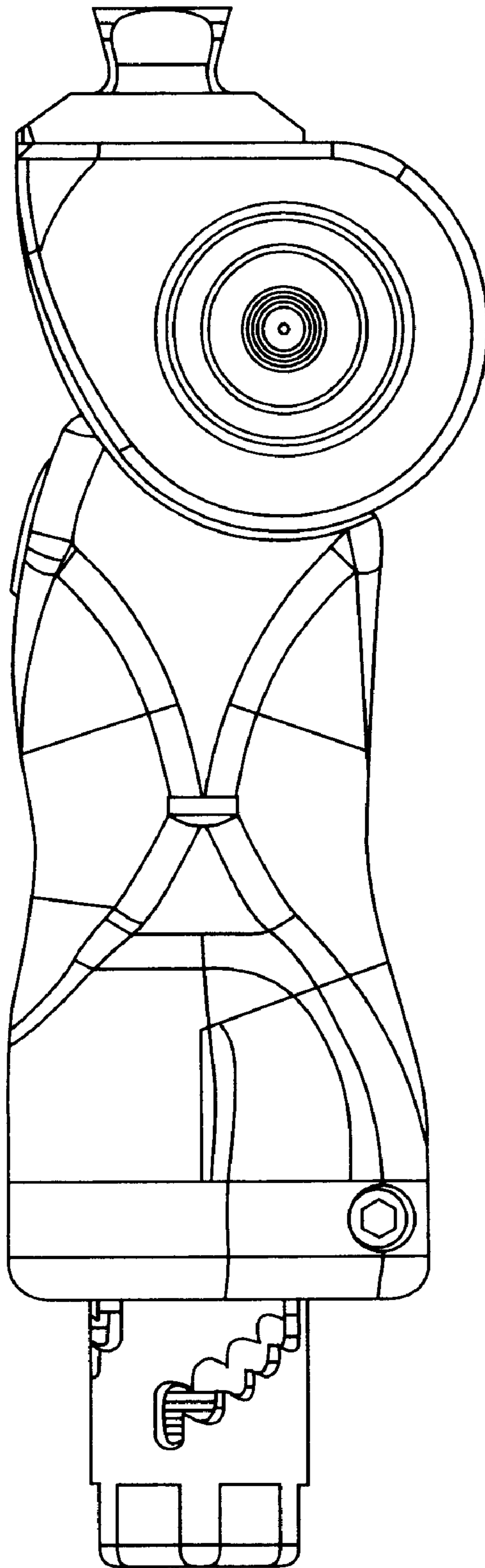


FIG. 3

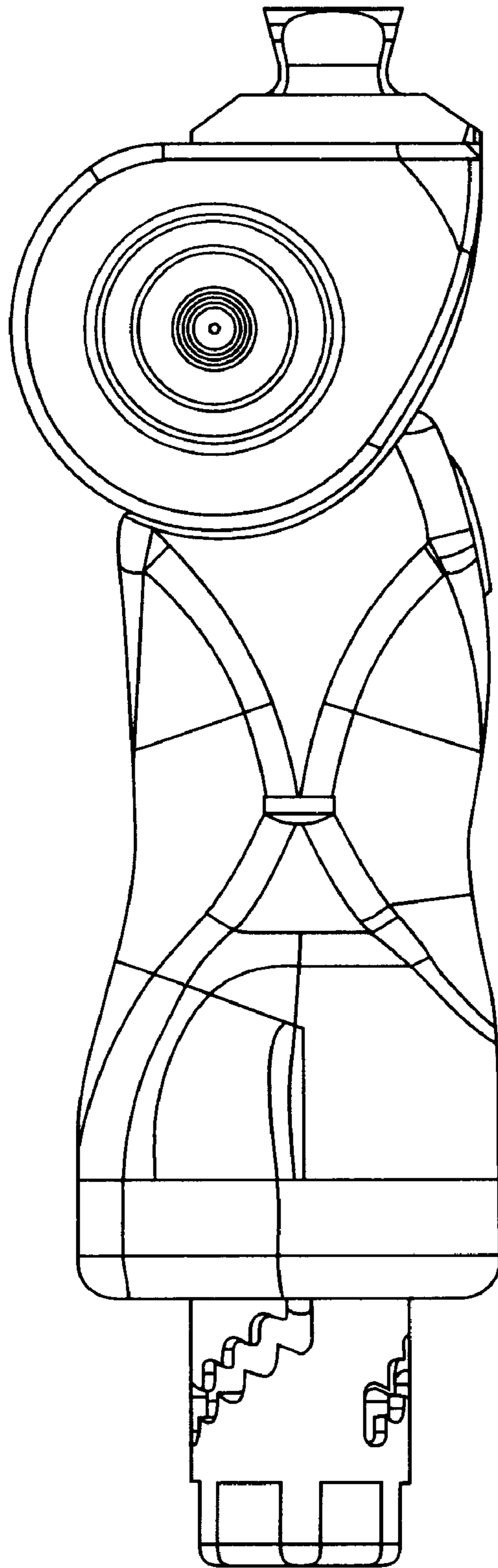


FIG. 4

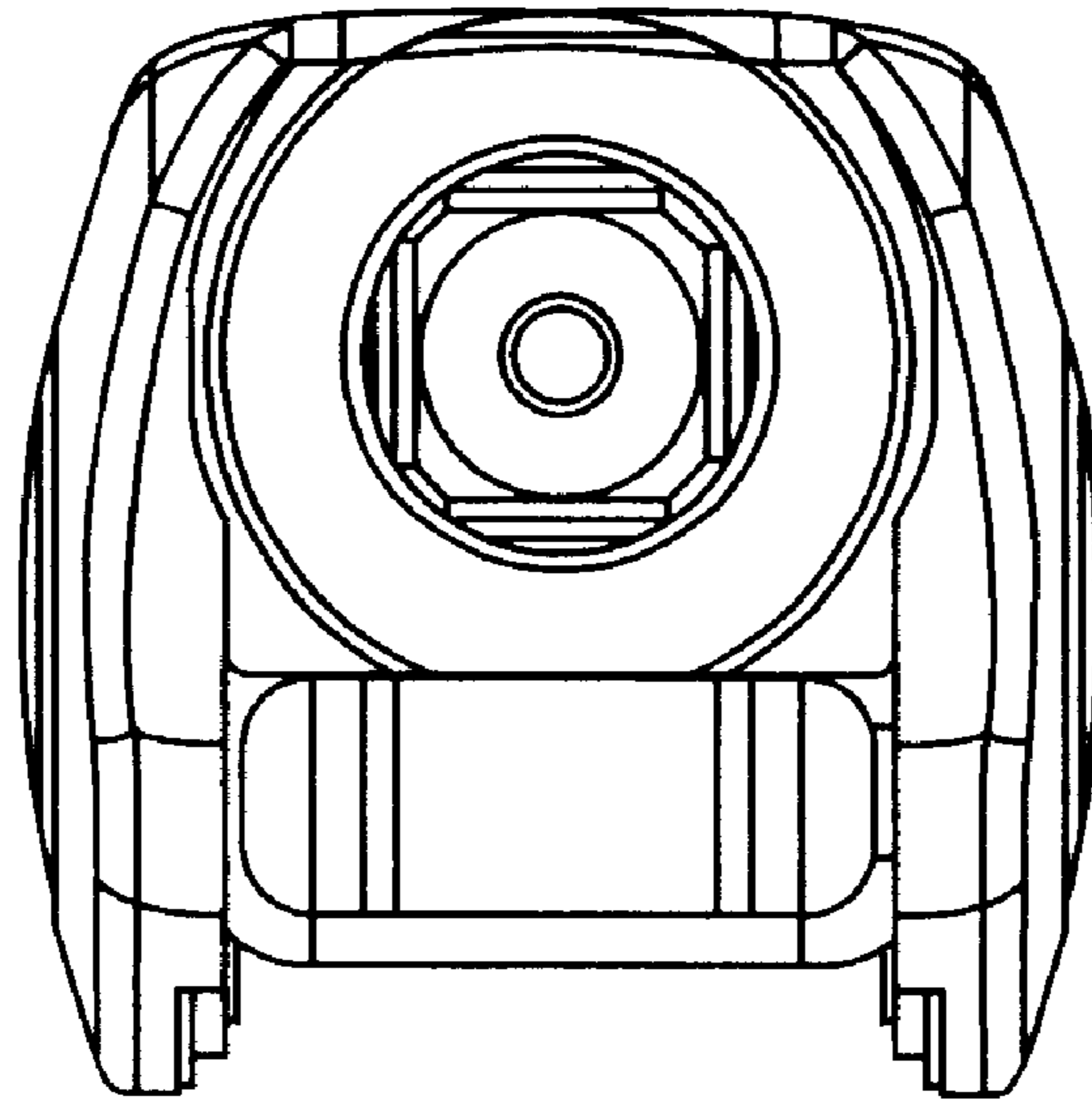


FIG. 5

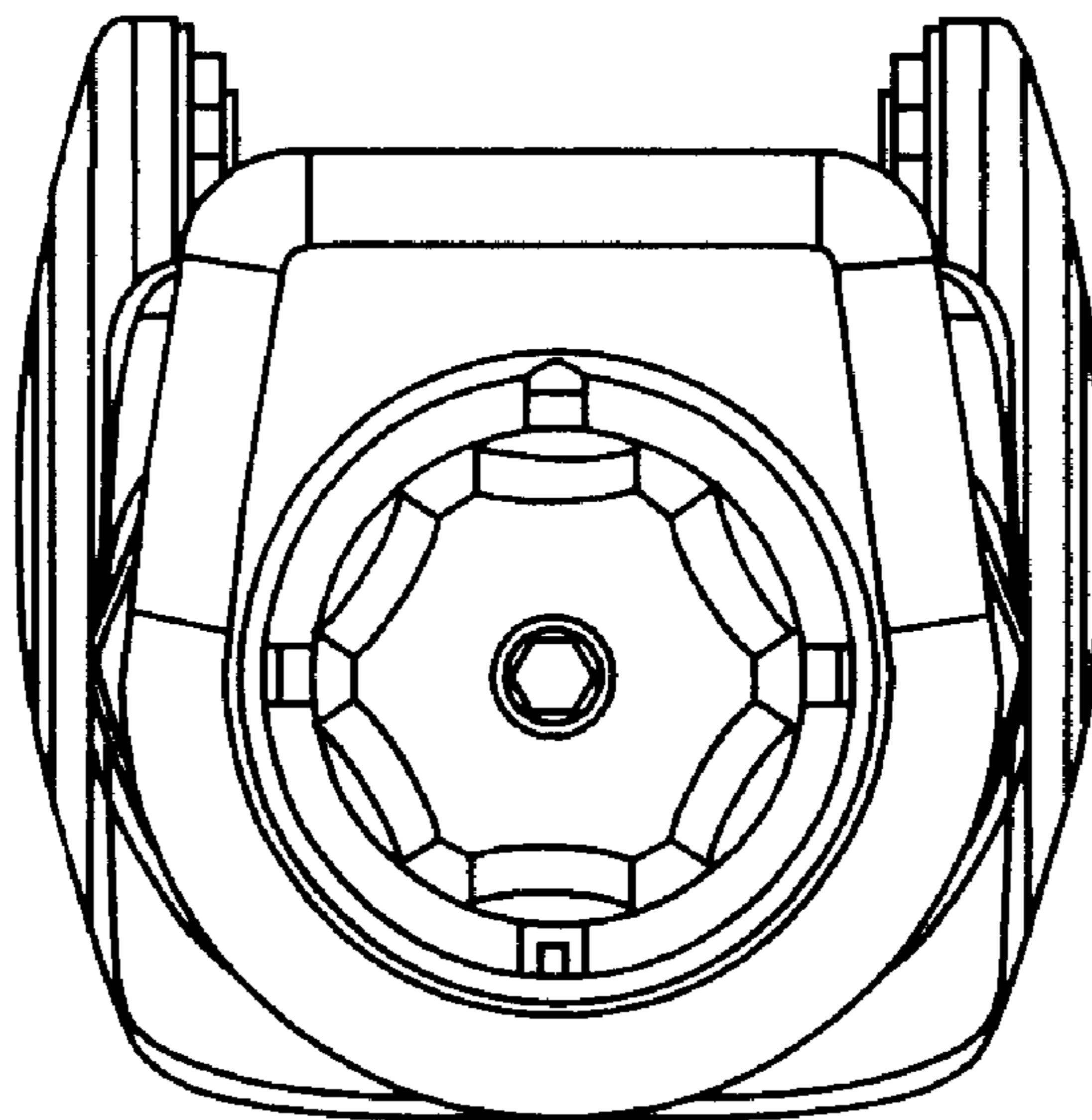


FIG. 6

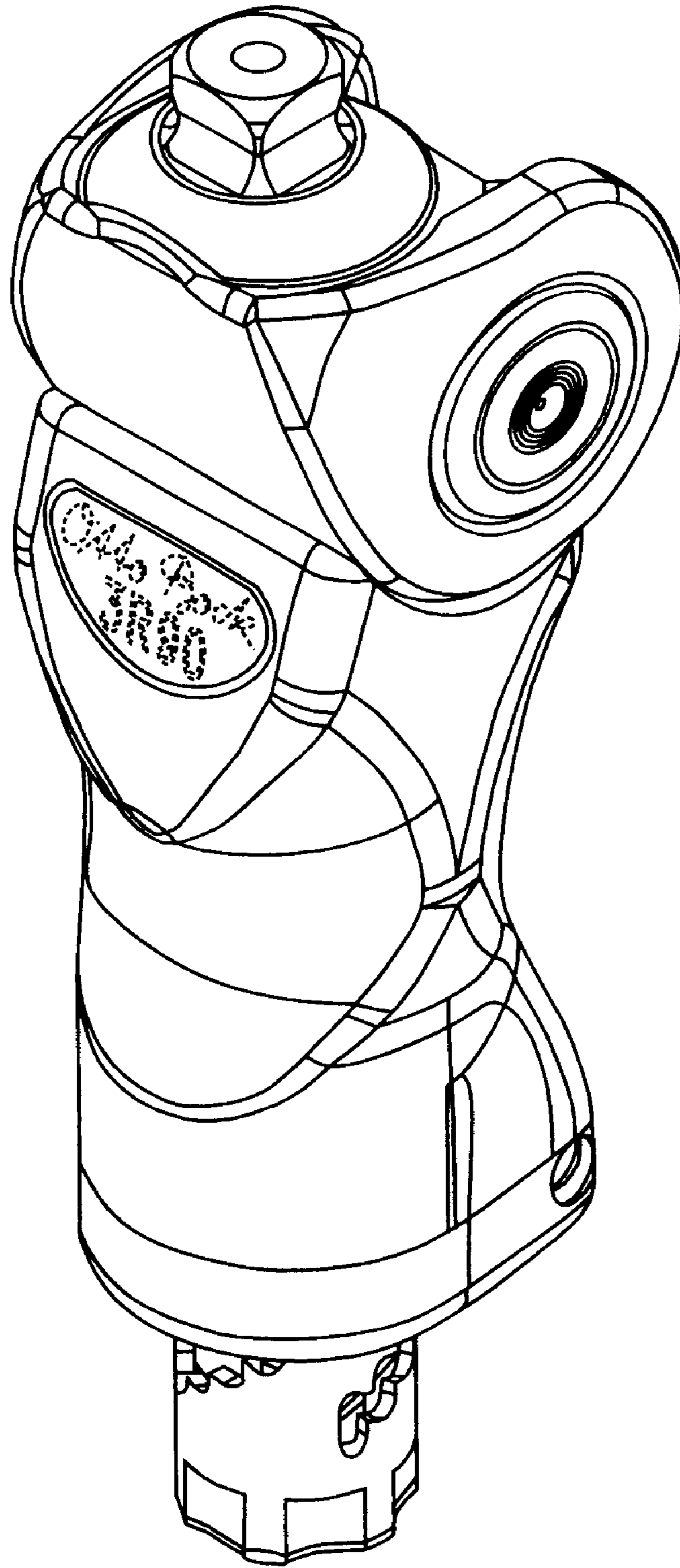


FIG. 7