



US00D525704S

(12) **United States Design Patent**  
**Ertze**

(10) **Patent No.:** **US D525,704 S**

(45) **Date of Patent:** **\*\* Jul. 25, 2006**

(54) **FAN BLADE**

D449,372 S \* 10/2001 Gajewski ..... D23/377

(75) Inventor: **Pablo J. Ertze**, Rancho Cucamonga,  
CA (US)

\* cited by examiner

(73) Assignee: **Yu-Yuan Industrial Co., Ltd.**,  
Fongyuan (TW)

*Primary Examiner*—Lisa Lichtenstein

(74) *Attorney, Agent, or Firm*—Troxell Law Office, PLLC

(\*\*) Term: **14 Years**

(57) **CLAIM**

The ornamental design for a fan blade, as shown and described.

(21) Appl. No.: **29/235,581**

**DESCRIPTION**

(22) Filed: **Aug. 4, 2005**

(51) **LOC (8) Cl.** ..... **23-04**

FIG. 1 is a perspective view of a fan blade showing my new design;

(52) **U.S. Cl.** ..... **D23/413**

FIG. 2 is a front end elevation view thereof;

(58) **Field of Classification Search** ..... D23/411,

FIG. 3 is a rear end elevation view thereof;

D23/413, 377, 379, 385; 416/5

FIG. 4 is a left side elevation view thereof;

See application file for complete search history.

FIG. 5 is a right side elevation view thereof;

FIG. 6 is a top plan view thereof; and,

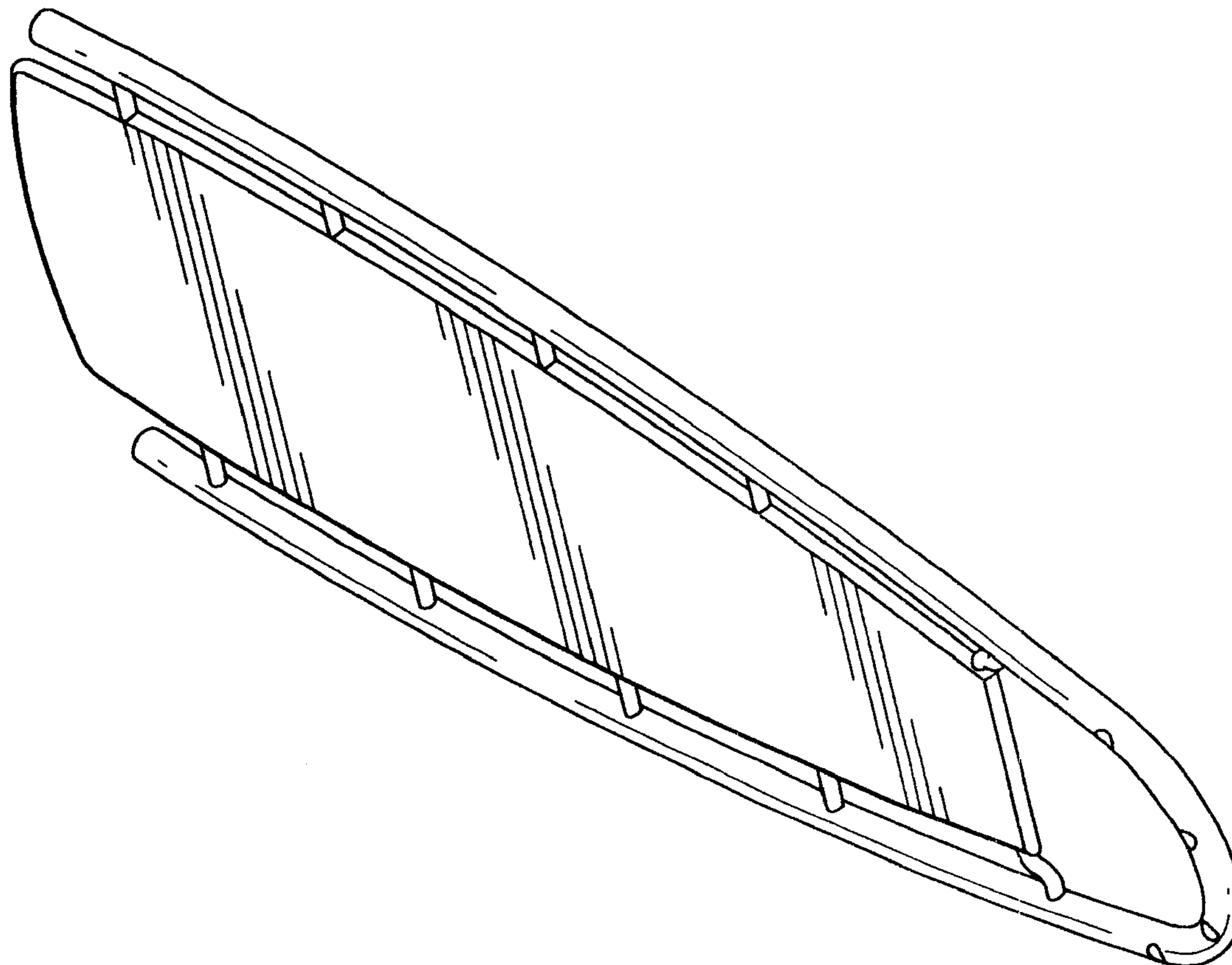
FIG. 7 is a bottom plan view thereof.

(56) **References Cited**

**U.S. PATENT DOCUMENTS**

D314,427 S \* 2/1991 Ignon ..... D23/377

**1 Claim, 4 Drawing Sheets**



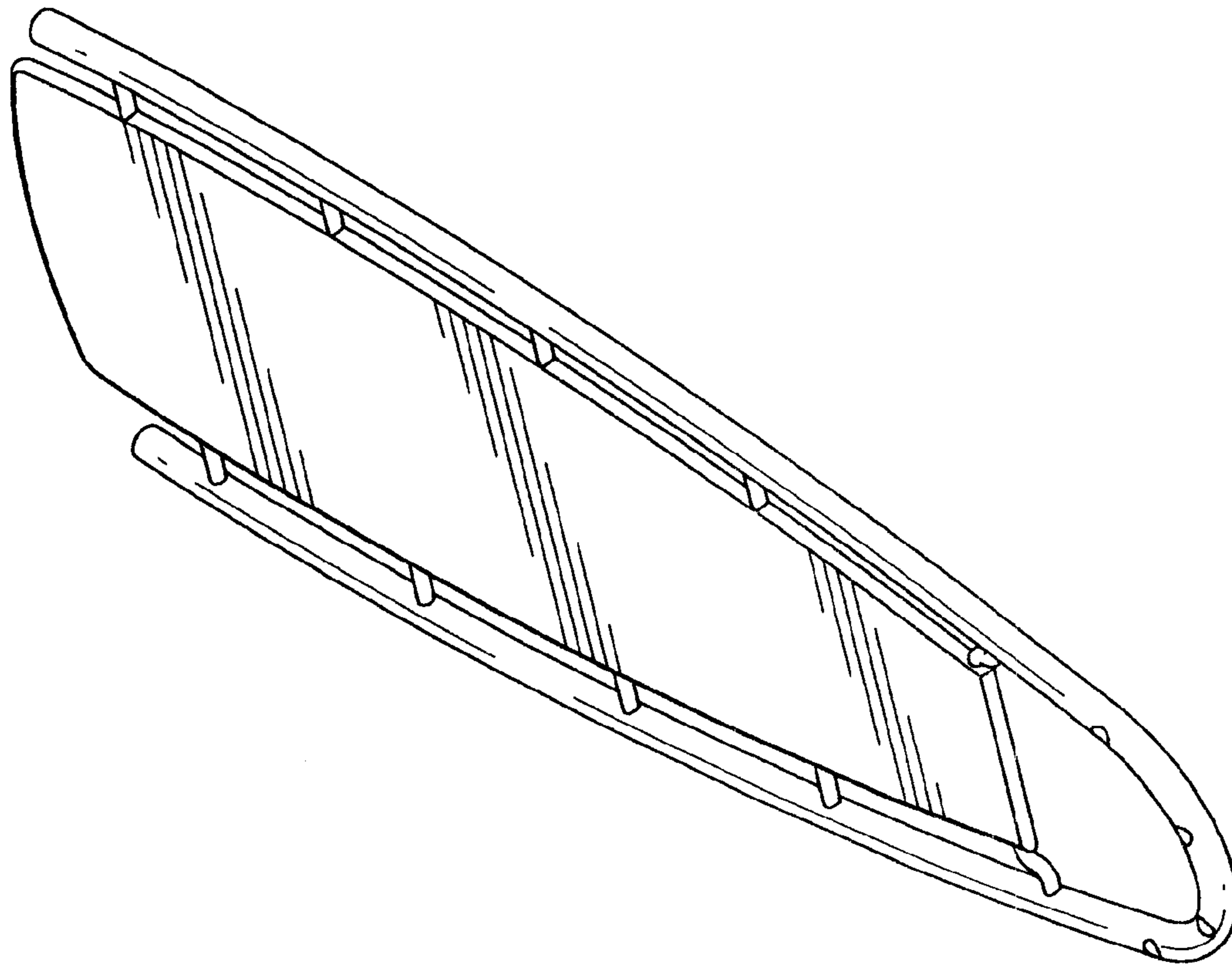


FIG. 1

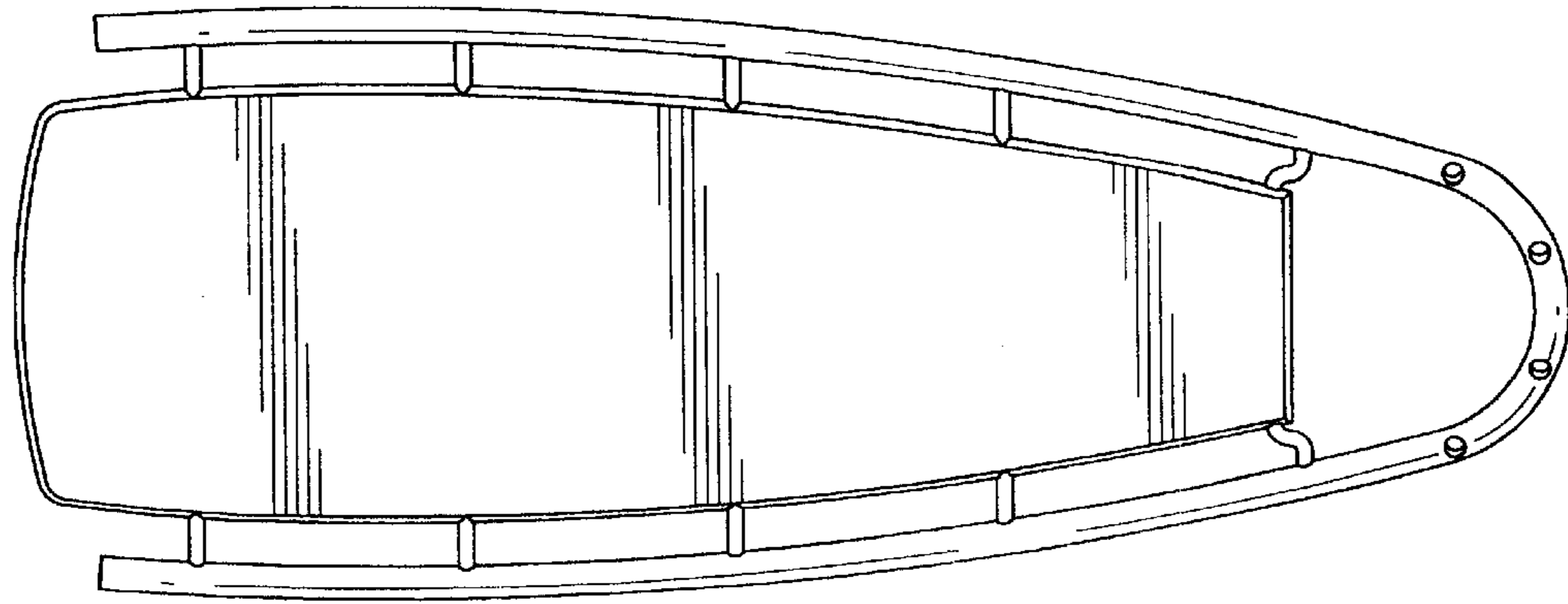


FIG. 2

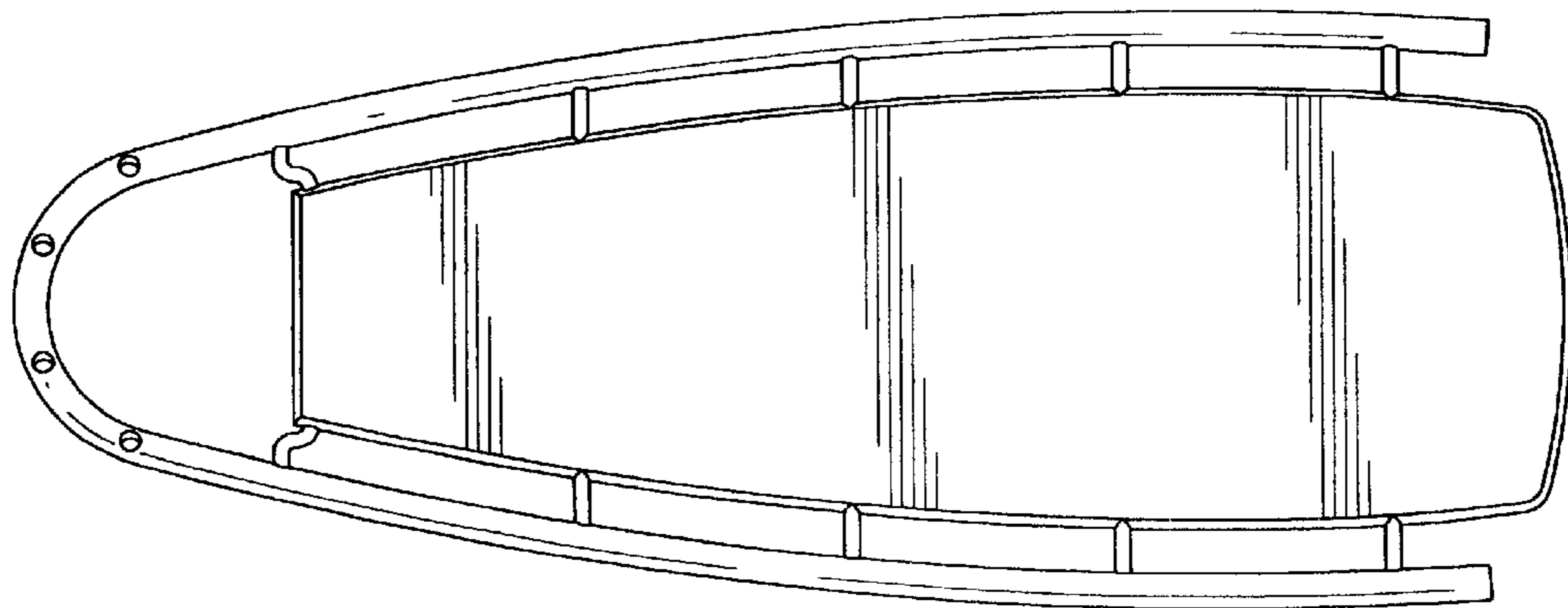


FIG. 3

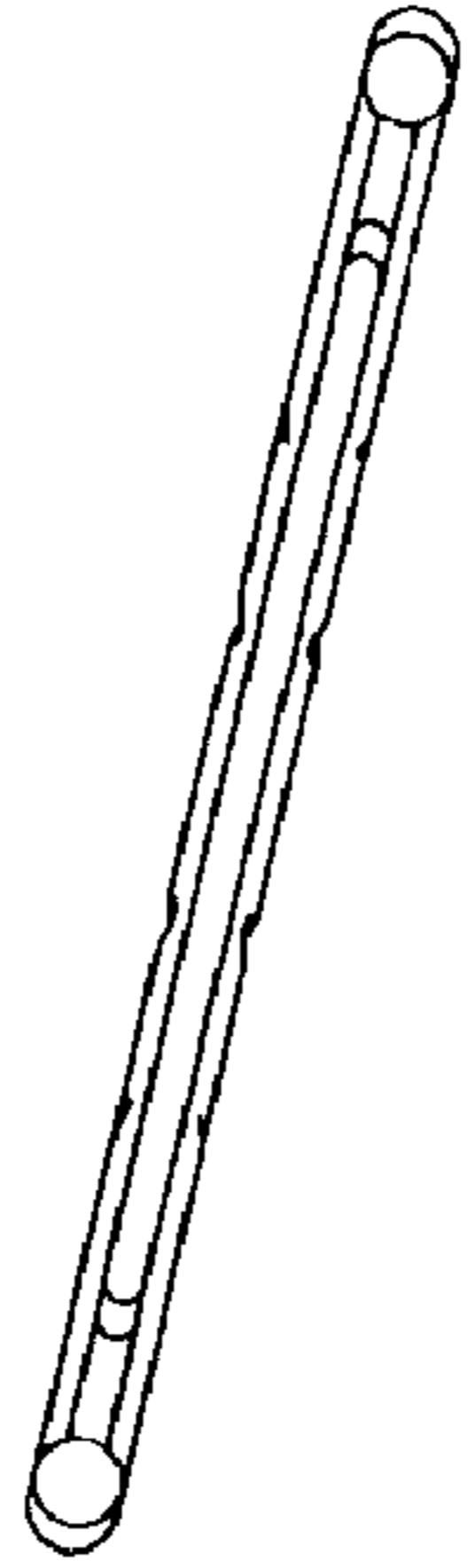


FIG. 4



FIG. 5

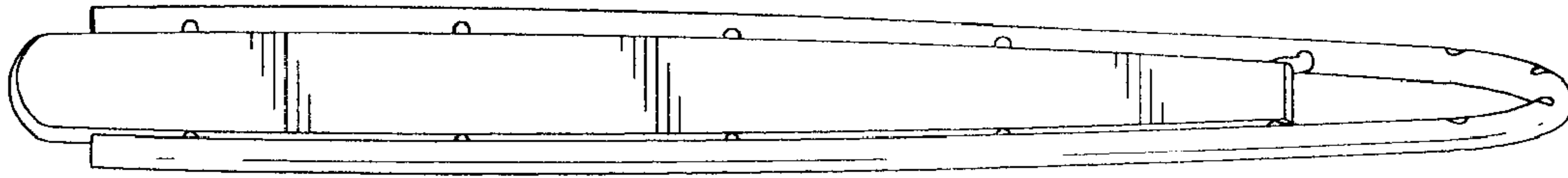


FIG. 6

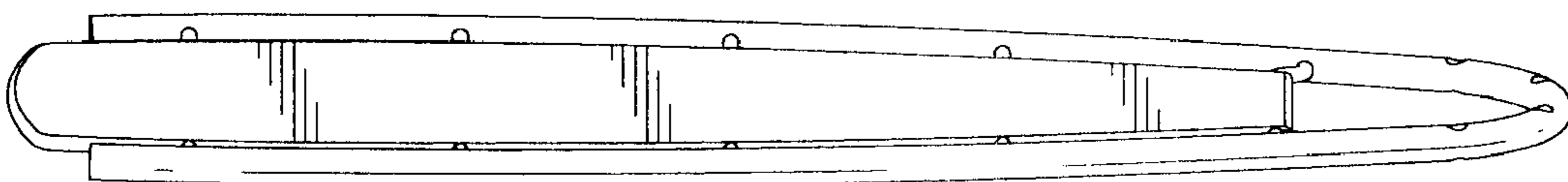


FIG. 7