

US00D525702S

(12) **United States Design Patent**
Ertze

(10) **Patent No.:** **US D525,702 S**

(45) **Date of Patent:** **** Jul. 25, 2006**

(54) **FAN BLADE BRACKET**

D480,471 S * 10/2003 Hsieh D23/411

(75) Inventor: **Pablo J. Ertze**, Rancho Cucamonga,
CA (US)

* cited by examiner

(73) Assignee: **Yu-Yuan Industrial Co., Ltd.**,
Fongyuan (TW)

Primary Examiner—Lisa Lichtenstein
(74) *Attorney, Agent, or Firm*—Troxell Law Office, PLLC

(**) Term: **14 Years**

(57) **CLAIM**

The ornamental design for a fan blade bracket, as shown and described.

(21) Appl. No.: **29/235,582**

DESCRIPTION

(22) Filed: **Aug. 4, 2005**

(51) **LOC (8) Cl.** **23-04**

(52) **U.S. Cl.** **D23/411**

(58) **Field of Classification Search** D23/411,
D23/377, 379, 385, 413; 416/5, 210 R
See application file for complete search history.

FIG. 1 is a perspective view of a fan blade bracket showing my new design;

FIG. 2 is a front end elevation view thereof;

FIG. 3 is a rear end elevation view thereof;

FIG. 4 is a left side elevation view thereof;

FIG. 5 is a right side elevation view thereof;

FIG. 6 is a top plan view thereof; and,

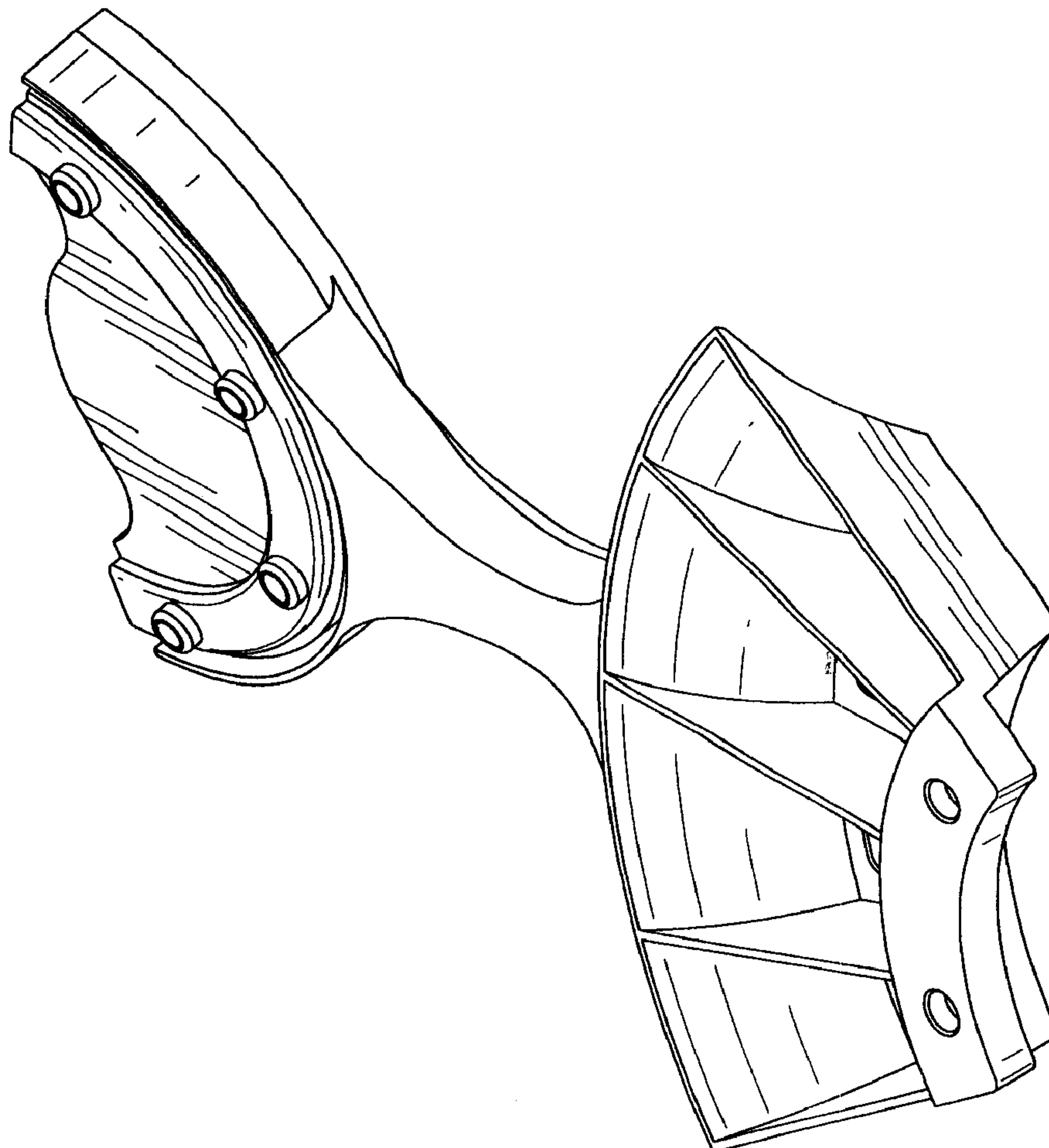
FIG. 7 is a bottom plan view thereof.

(56) **References Cited**

U.S. PATENT DOCUMENTS

D388,870 S * 1/1998 Holbrook D23/411

1 Claim, 4 Drawing Sheets



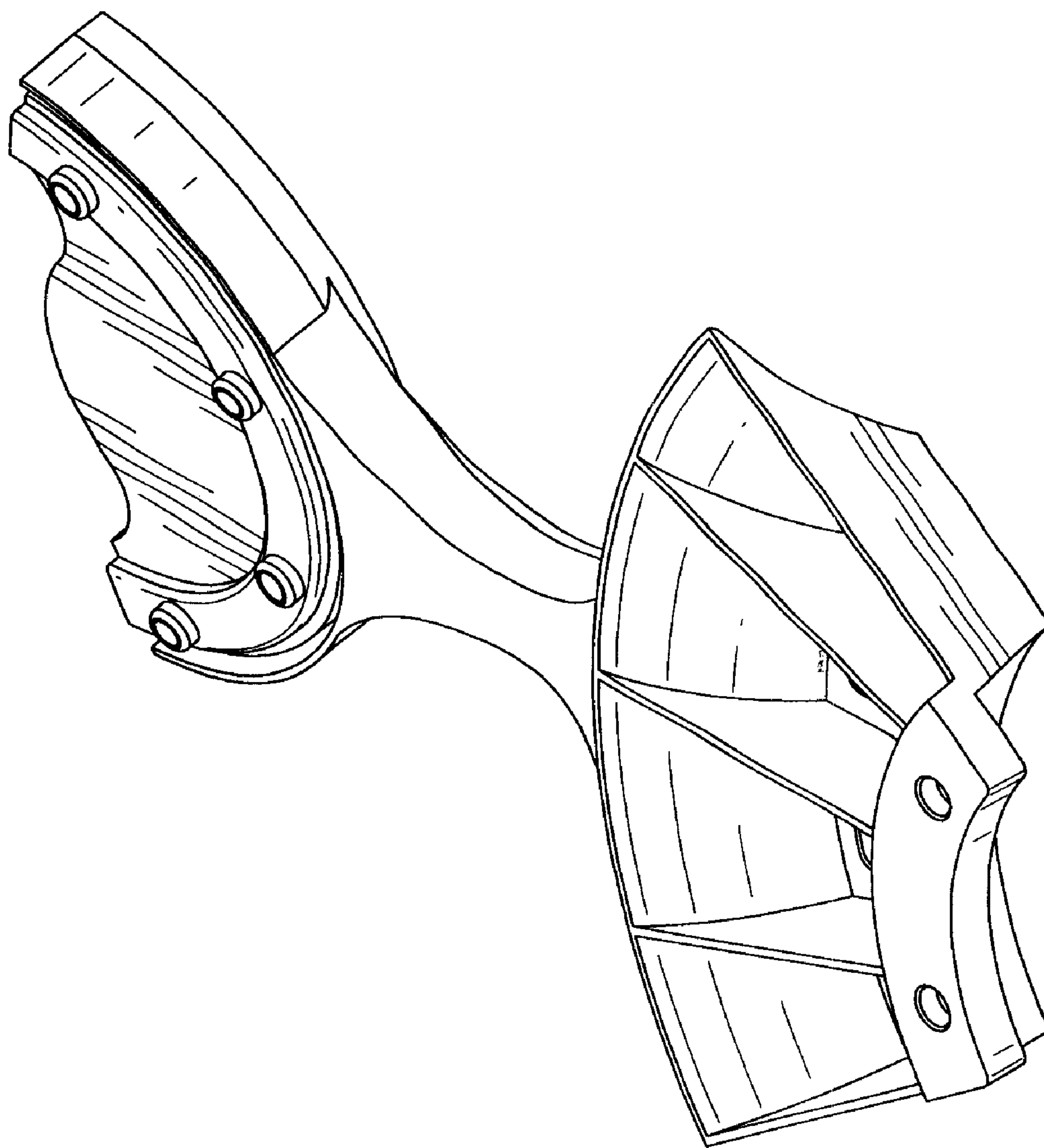


FIG. 1

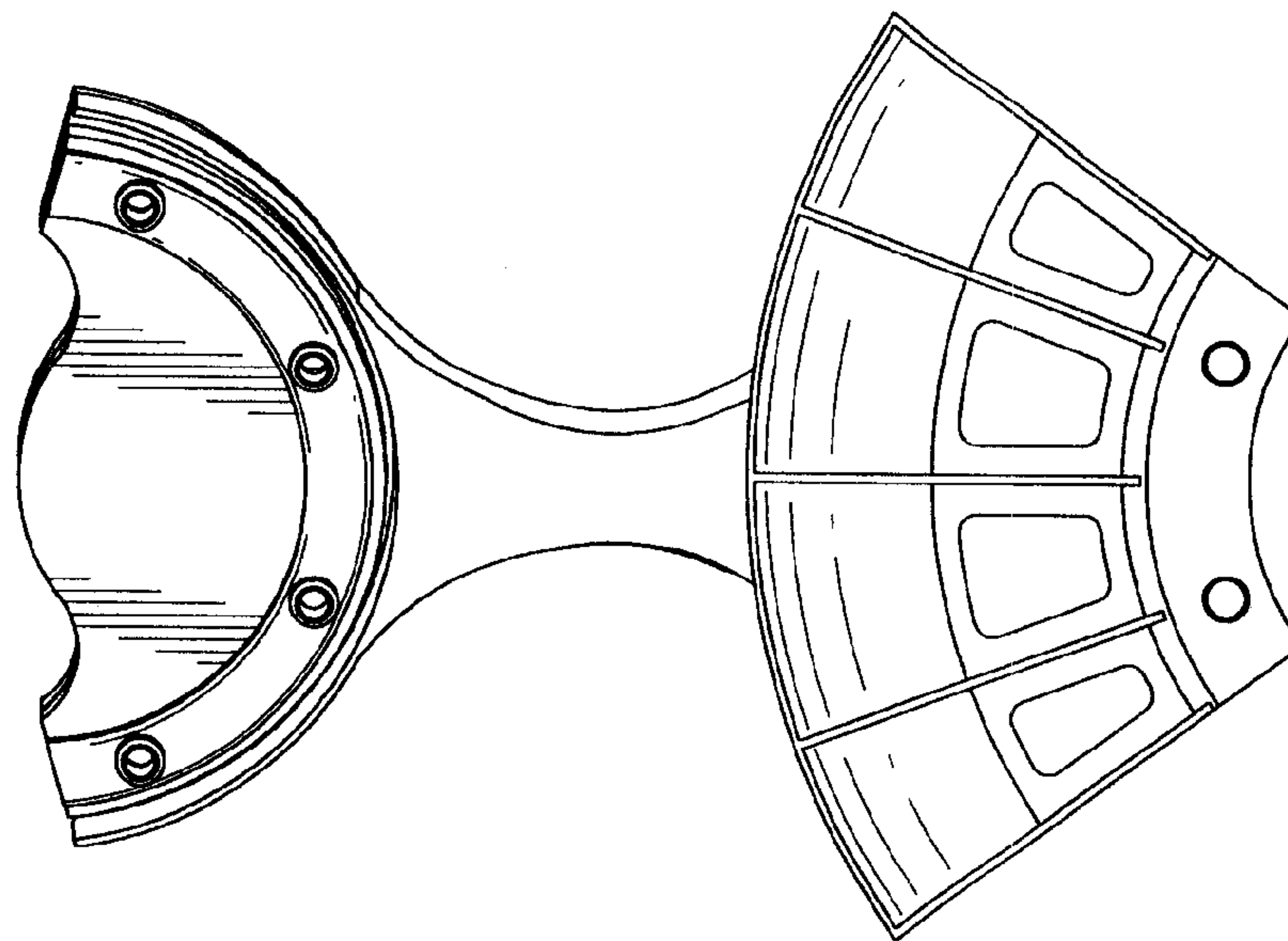


FIG. 2

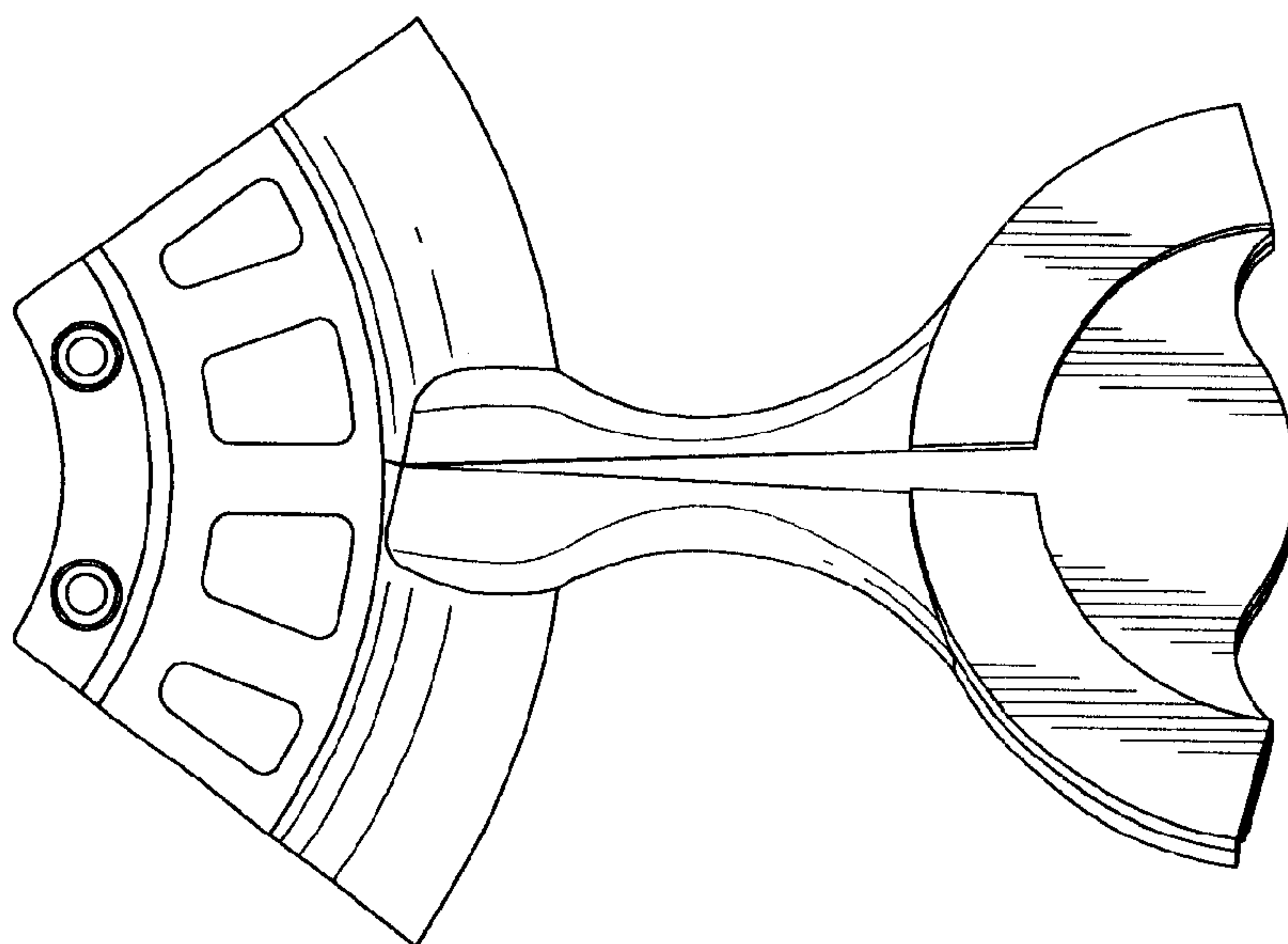


FIG. 3

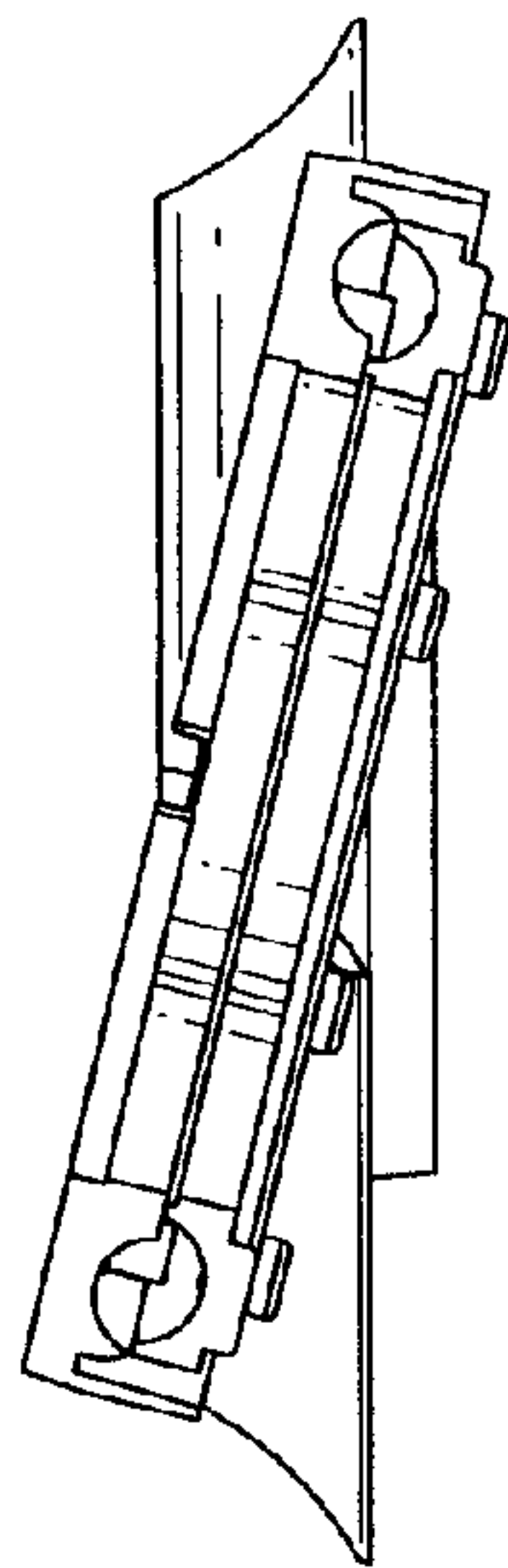


FIG. 4

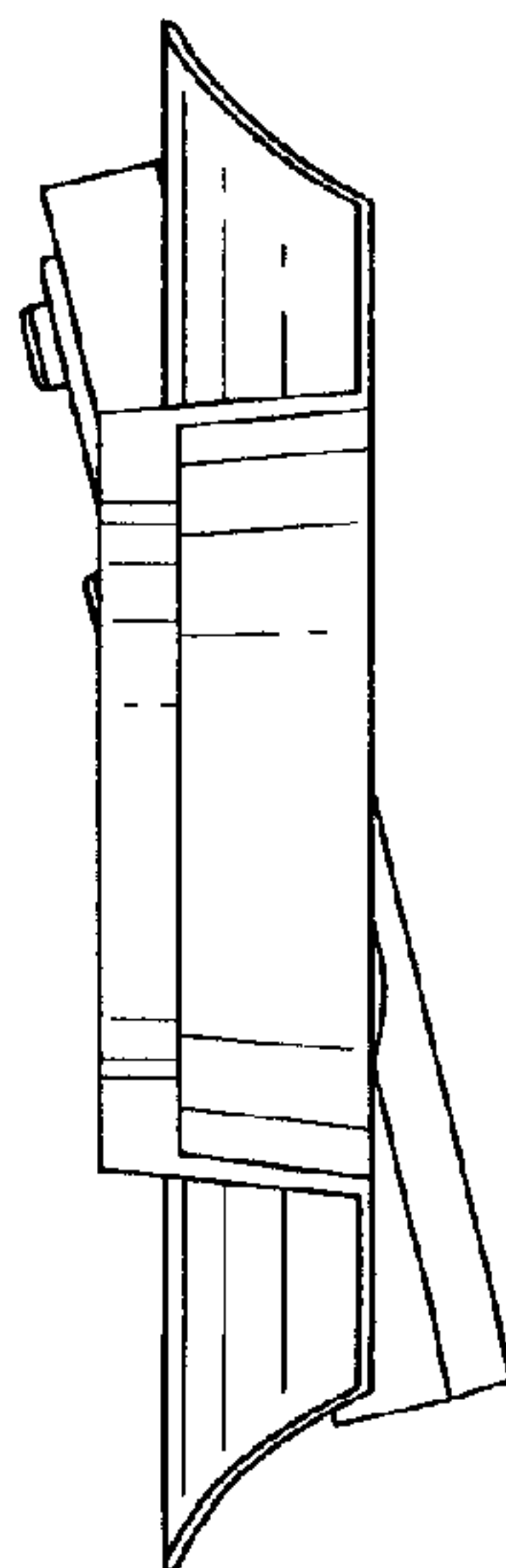


FIG. 5

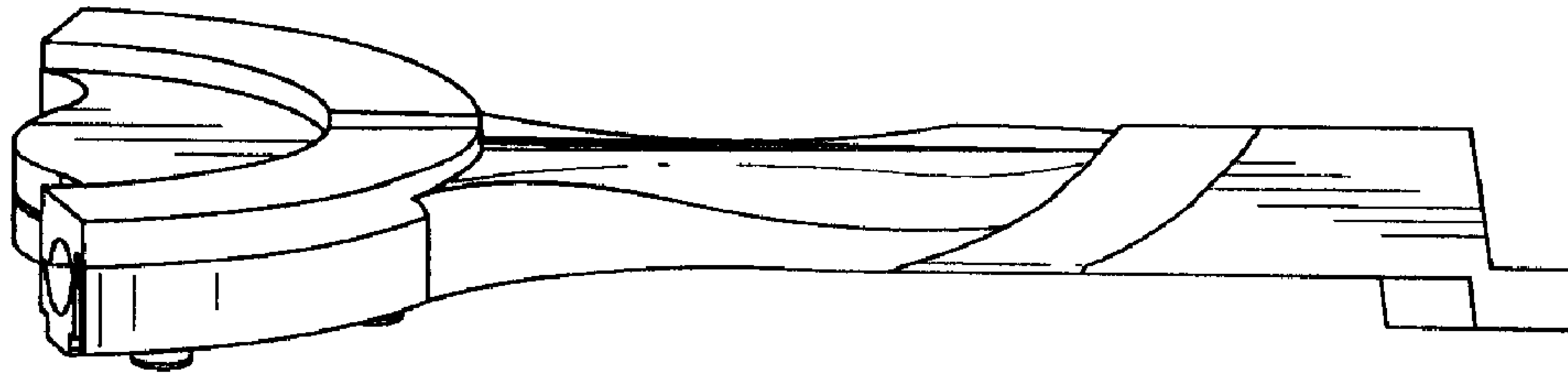


FIG. 6

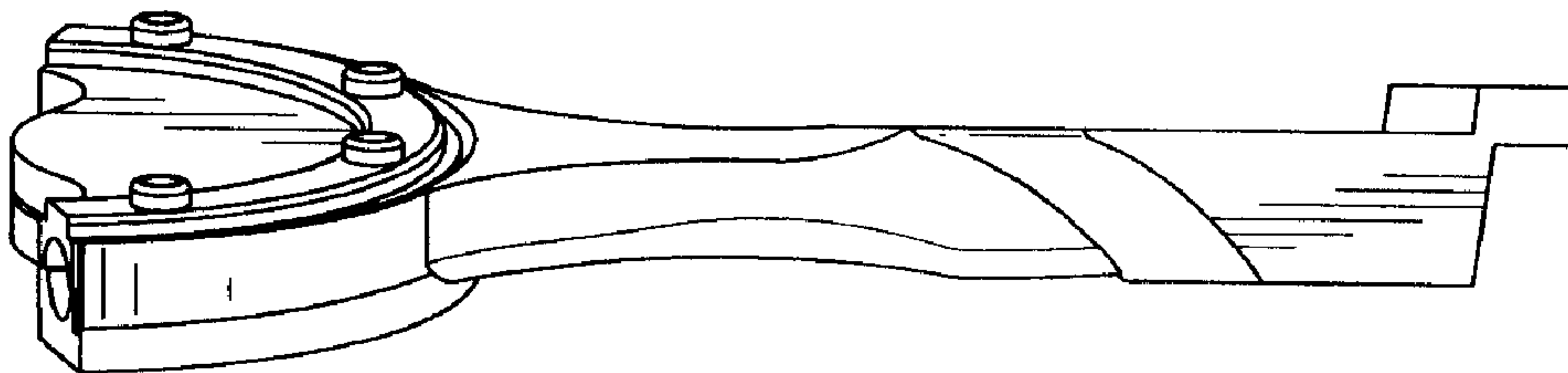


FIG. 7