



US00D525699S

(12) **United States Design Patent**
Davenport et al.

(10) **Patent No.:** **US D525,699 S**
(45) **Date of Patent:** **** Jul. 25, 2006**

(54) **CEILING FAN**

D483,105 S * 12/2003 Hsieh D23/377
D505,196 S * 5/2005 Bacon et al. D23/411

(75) Inventors: **Dennis D. Davenport**, Weatherford, TX (US); **Jimmy J. Jones**, Crowley, TX (US)

* cited by examiner

Primary Examiner—Lisa Lichtenstein

(73) Assignee: **Sea Gull Lighting Products, Inc.**,
Riverside, NJ (US)

(74) *Attorney, Agent, or Firm*—Drinker Biddle & Reath LLP

(**) Term: **14 Years**

(57) **CLAIM**

(21) Appl. No.: **29/237,645**

The ornamental design of a ceiling fan, as shown and described.

(22) Filed: **Sep. 2, 2005**

DESCRIPTION

(51) **LOC (8) Cl.** **23-04**

FIG. 1 is side elevation view of a first embodiment of a ceiling fan according to the invention;

(52) **U.S. Cl.** **D23/377; 23/379; 23/385**

FIG. 2 is a side elevation view of the first embodiment from the side opposite that shown in FIG. 1;

(58) **Field of Classification Search** D23/411,
D23/413, 377, 379, 385; 416/5
See application file for complete search history.

FIG. 3 is a top plan view of the ceiling fan shown in FIG. 1;

FIG. 4 is a bottom plan view of the ceiling fan shown in FIG. 1; and,

FIG. 5 is a side elevation view of a second embodiment of a ceiling fan according to the invention, the other views being the same.

The broken line showing of environmental structure is for illustrative purposes only and forms no part of the claimed design.

(56) **References Cited**

U.S. PATENT DOCUMENTS

D304,229 S * 10/1989 Rezek D23/377
D427,672 S * 7/2000 Lee D23/377
D445,887 S * 7/2001 Campbell D23/377
D453,563 S * 2/2002 Bogazzi D23/377

1 Claim, 4 Drawing Sheets

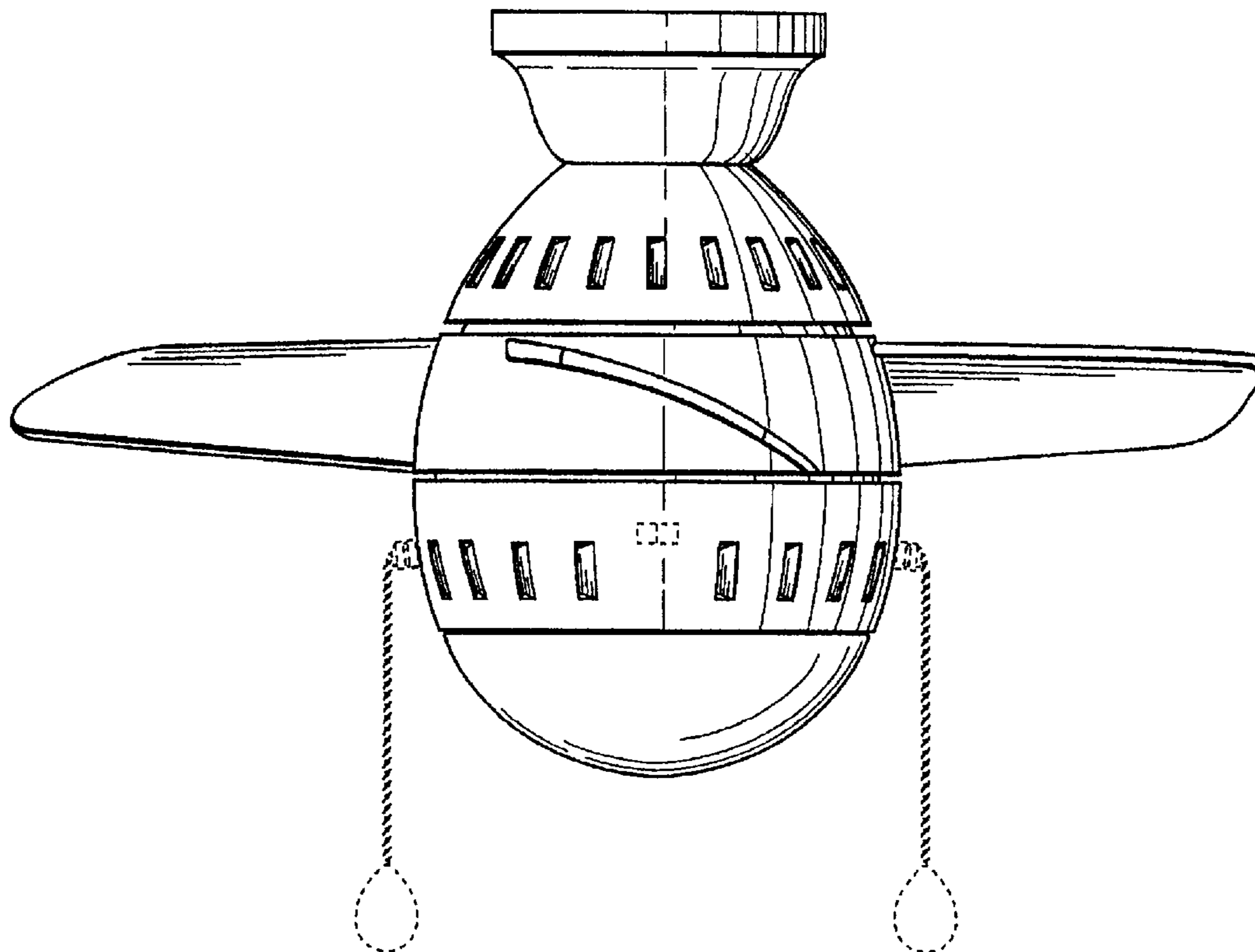


FIG. 1

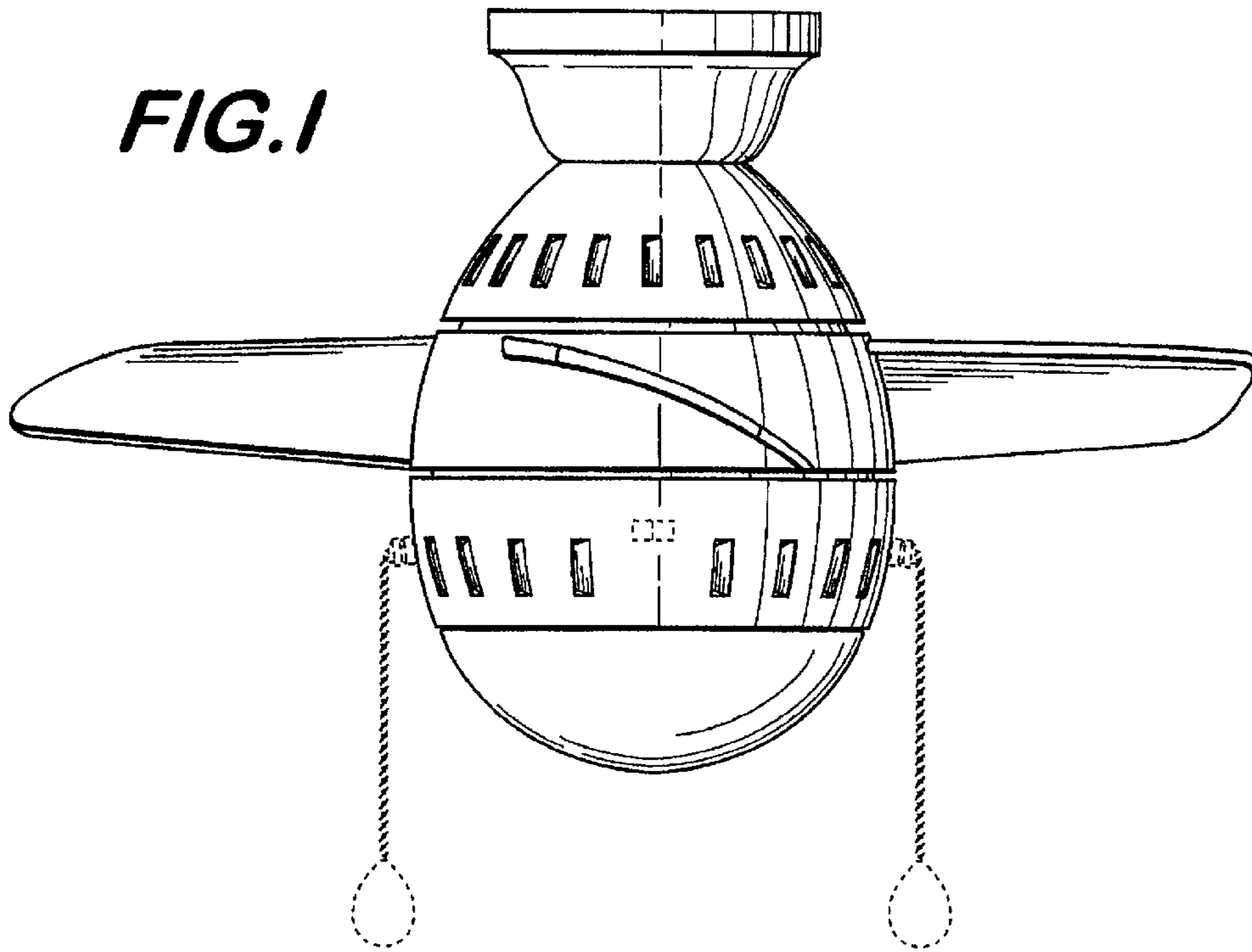
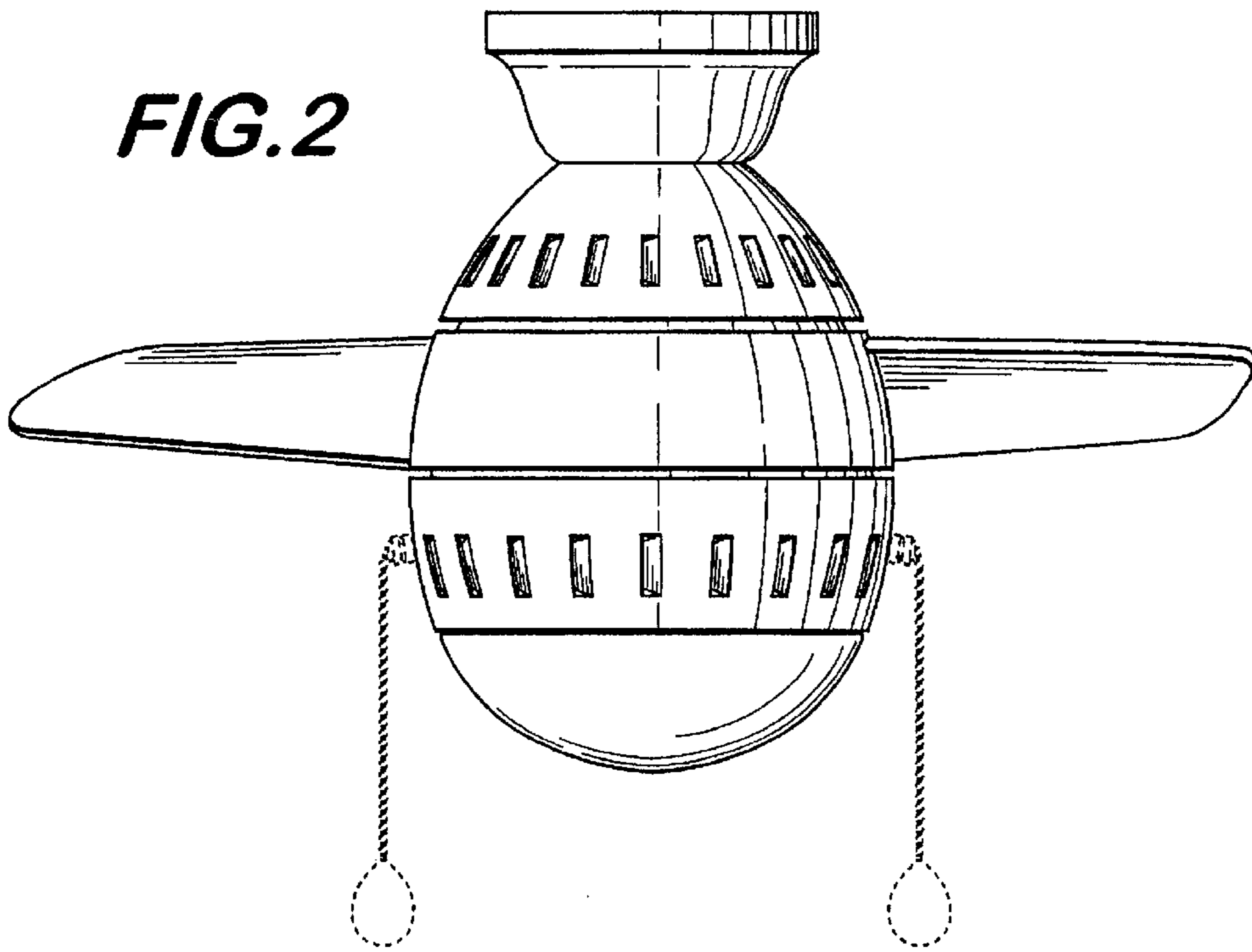


FIG. 2



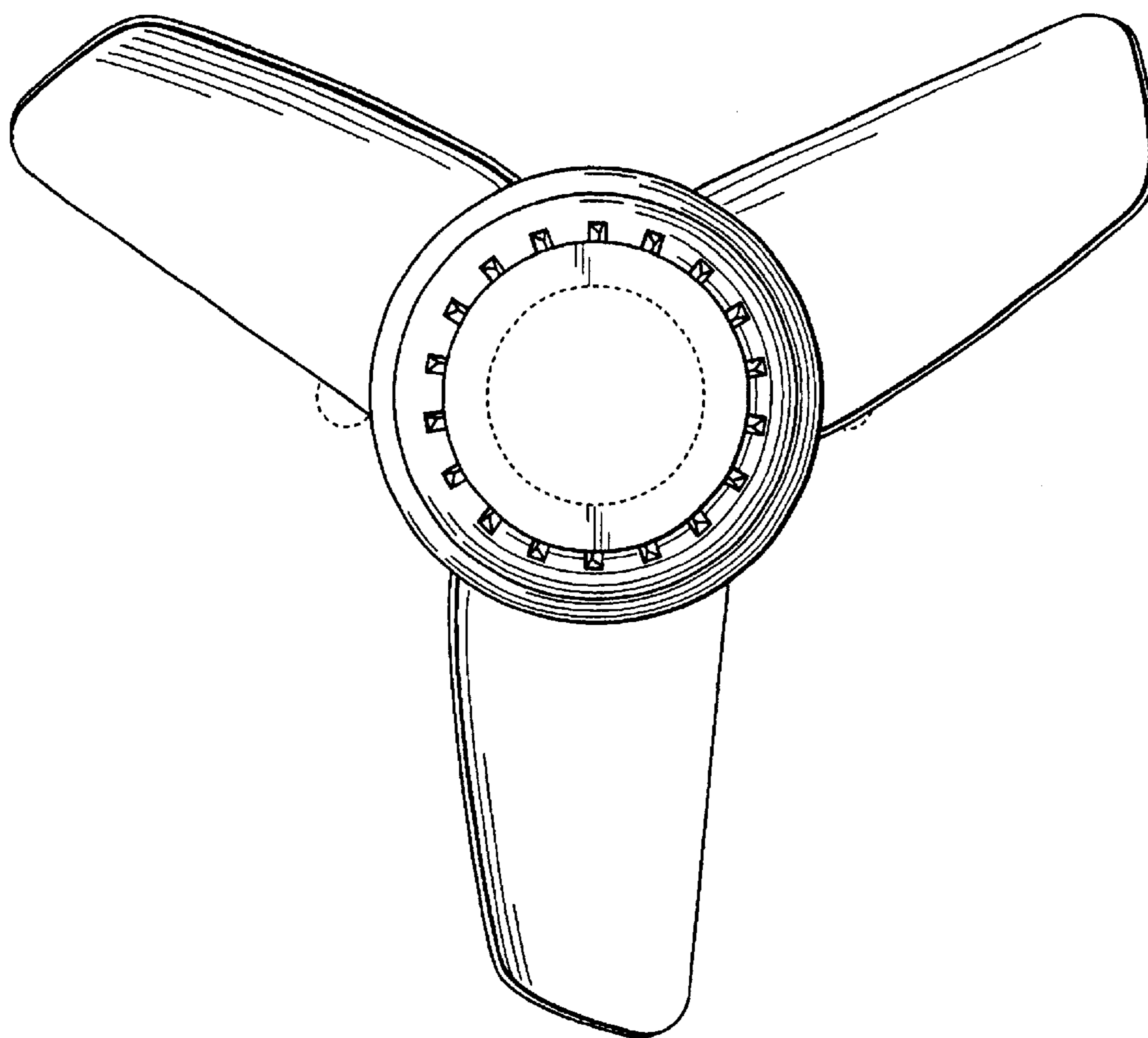


FIG. 3

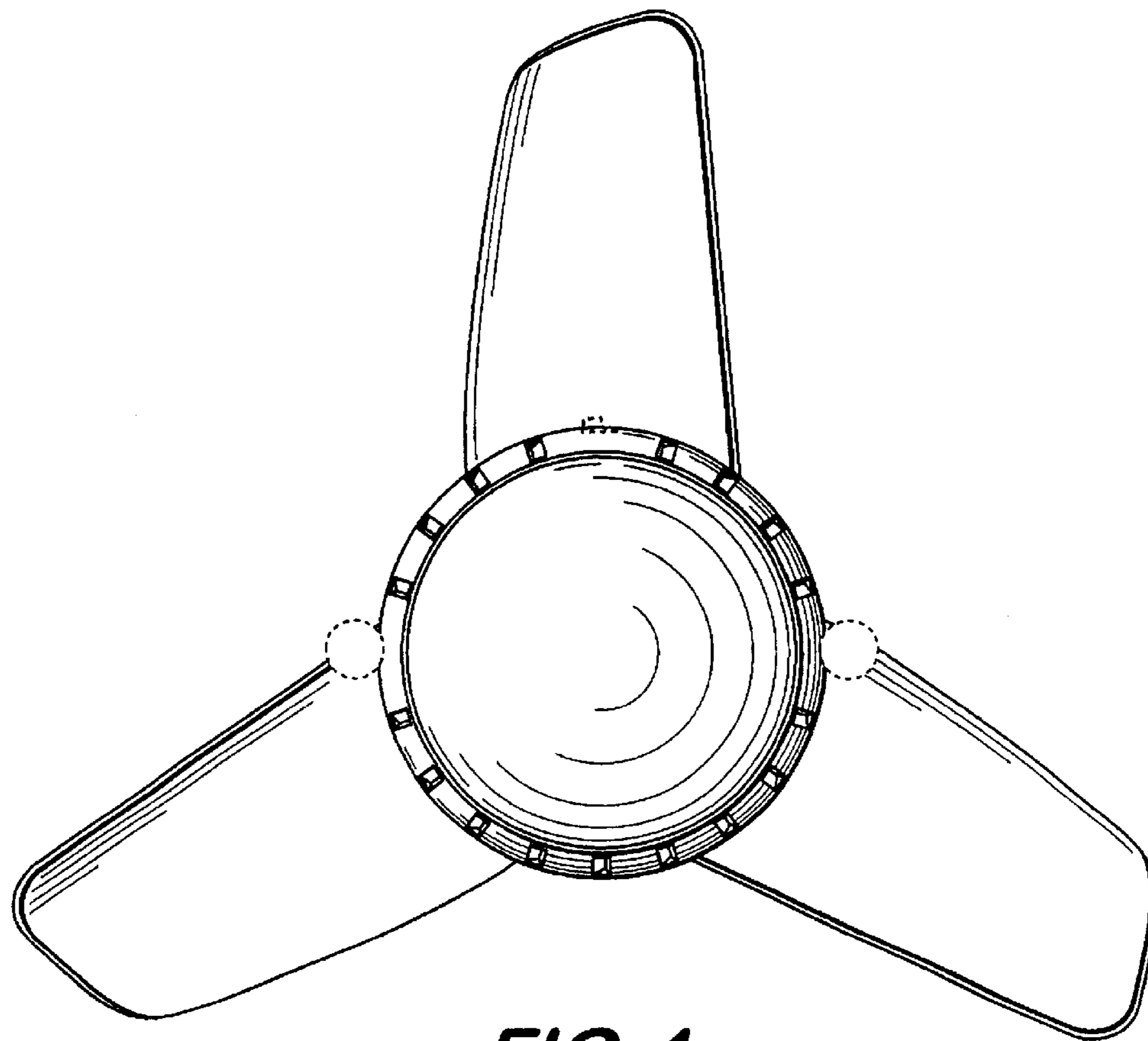


FIG. 4

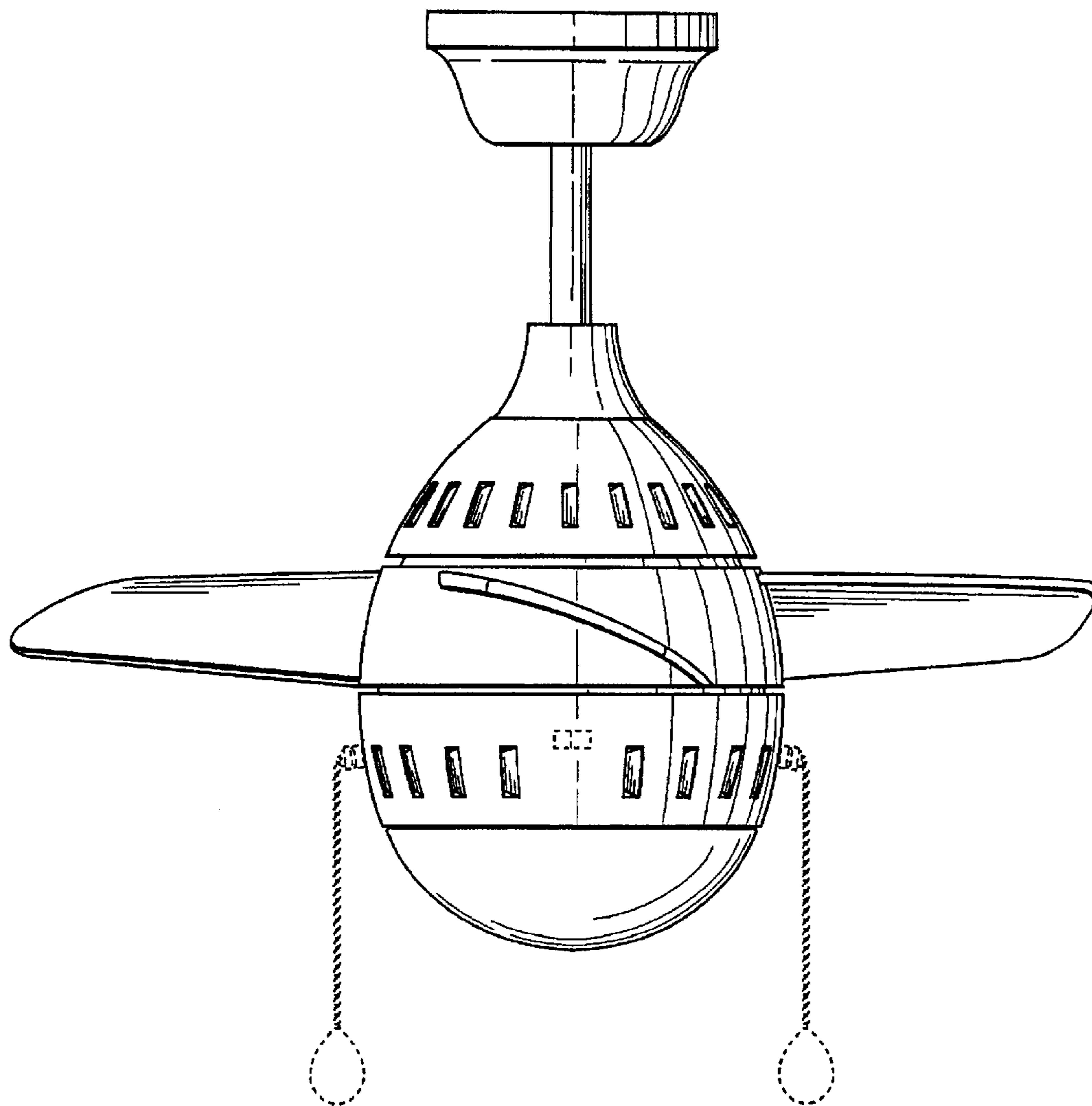


FIG. 5