



US00D525697S

(12) **United States Design Patent**
Ertze

(10) **Patent No.:** **US D525,697 S**

(45) **Date of Patent:** **** Jul. 25, 2006**

(54) **COMBINED CEILING FAN MOTOR HOUSING AND LIGHT KIT**

D478,976 S * 8/2003 Young D23/377
D508,990 S * 8/2005 Stauffer et al. D23/411

(75) Inventor: **Pablo J. Ertze**, Rancho Cucamonga, CA (US)

* cited by examiner

Primary Examiner—Lisa Lichtenstein

(73) Assignee: **Landmark Enterprise Inc.**, Brunei Darussalam

(74) *Attorney, Agent, or Firm*—Troxell Law Office, PLLC

(**) Term: **14 Years**

(57) **CLAIM**

The ornamental design for a combined ceiling fan motor housing and light kit, as shown and described.

(21) Appl. No.: **29/235,577**

DESCRIPTION

(22) Filed: **Aug. 4, 2005**

(51) **LOC (8) Cl.** **23-04**

FIG. 1 is a perspective view of a combined ceiling fan motor housing and light kit showing my new design; FIG. 2 is a front end elevation view thereof; FIG. 3 is a rear end elevation view thereof; FIG. 4 is a left side elevation view thereof; FIG. 5 is a right side elevation view thereof; FIG. 6 is a top plan view thereof; FIG. 7 is a bottom plan view thereof; and, FIG. 8 is a reduced front end view of the combined ceiling fan motor housing and light kit in accordance with my design, shown in its environment.

(52) **U.S. Cl.** **D23/377; 23/379; 26/59**

(58) **Field of Classification Search** D23/377, D23/379, 385, 411, 413; 416/5; D26/59, D26/72, 81–88, 51

See application file for complete search history.

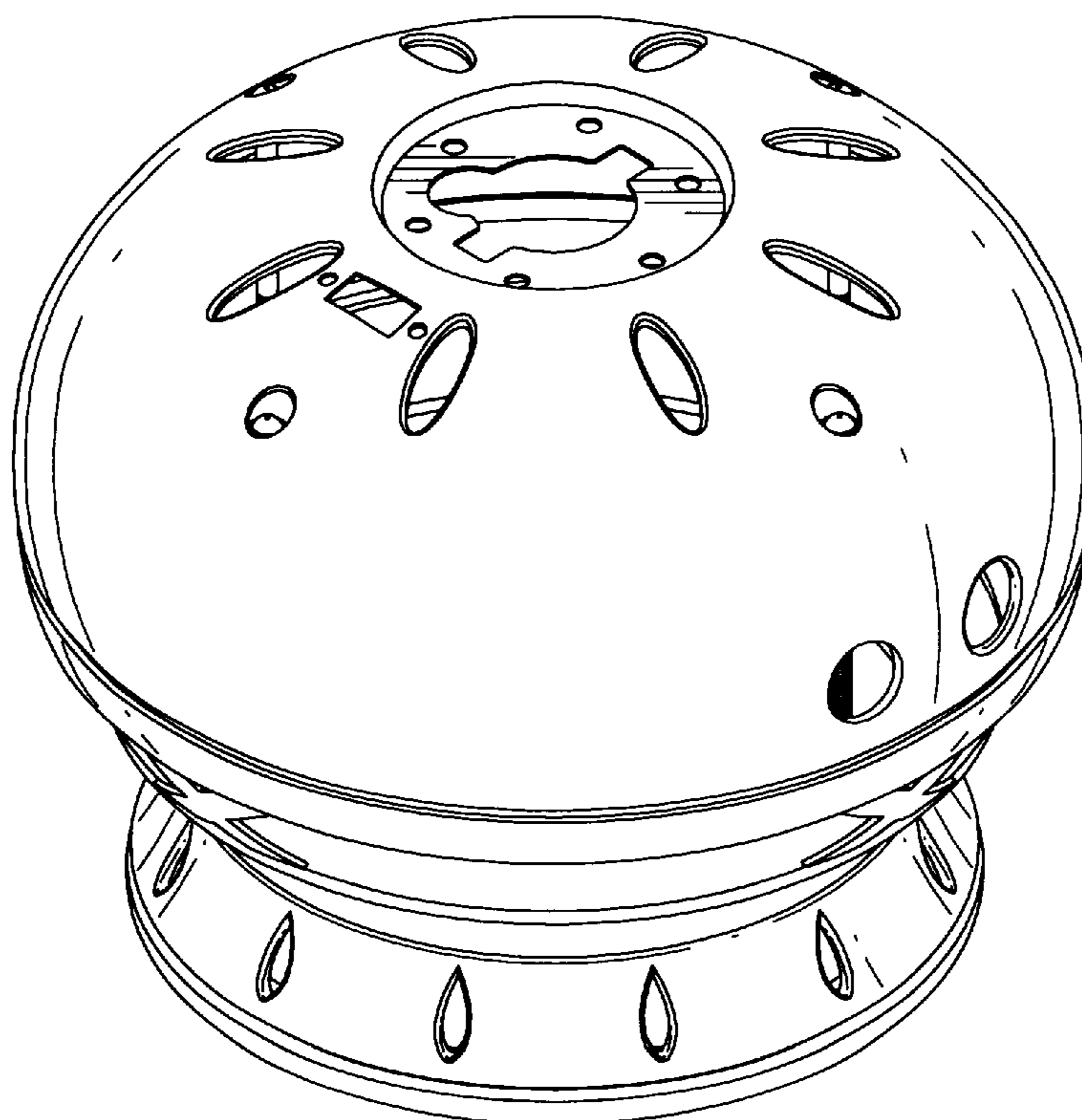
The broken lines in FIG. 8 shows environmental features, which are for illustrative purposes only and form no part of the claimed design.

(56) **References Cited**

U.S. PATENT DOCUMENTS

D421,799 S * 3/2000 Zuege D23/377
D464,424 S * 10/2002 Campbell D23/411

1 Claim, 8 Drawing Sheets



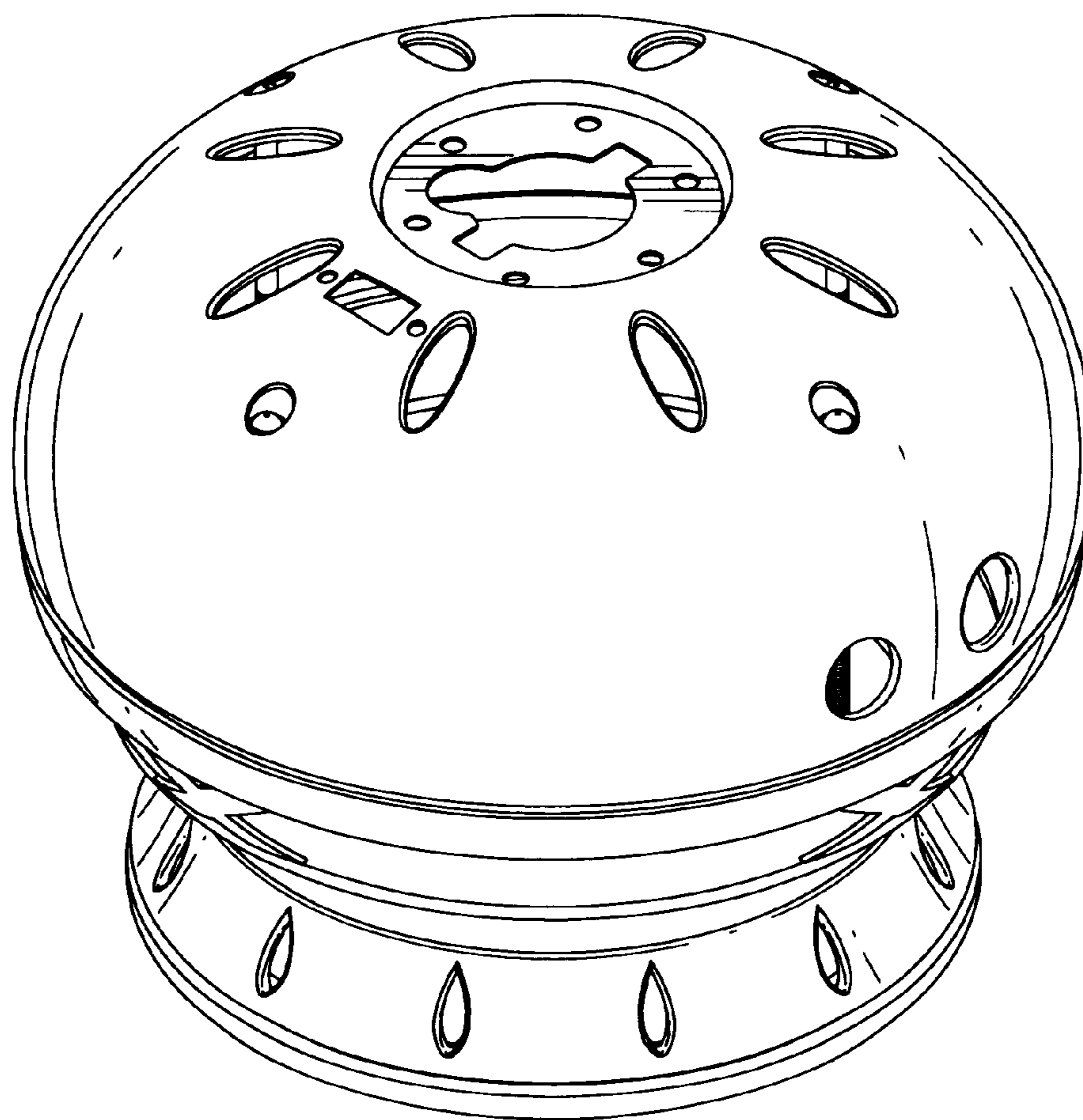


FIG. 1

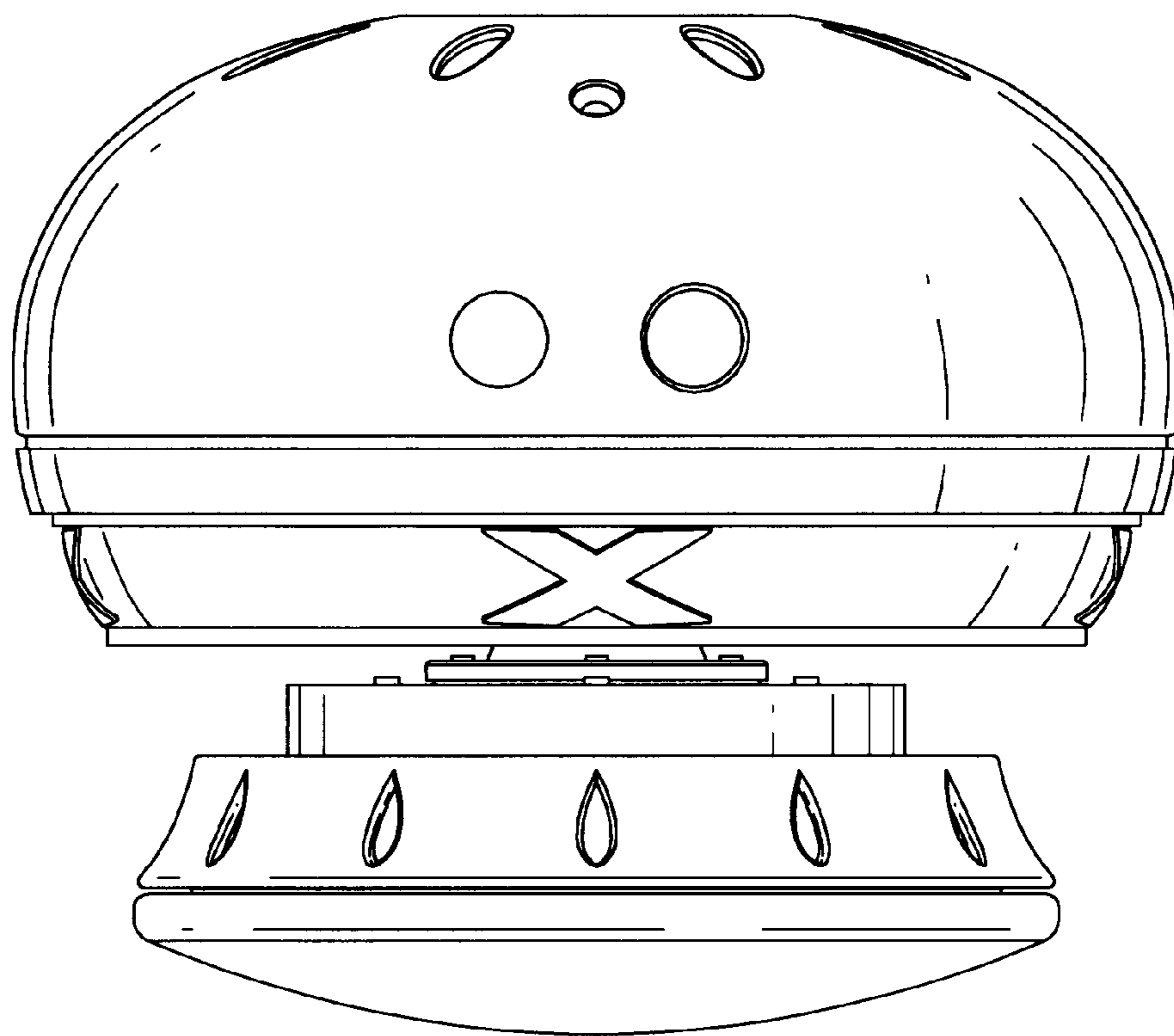


FIG. 2

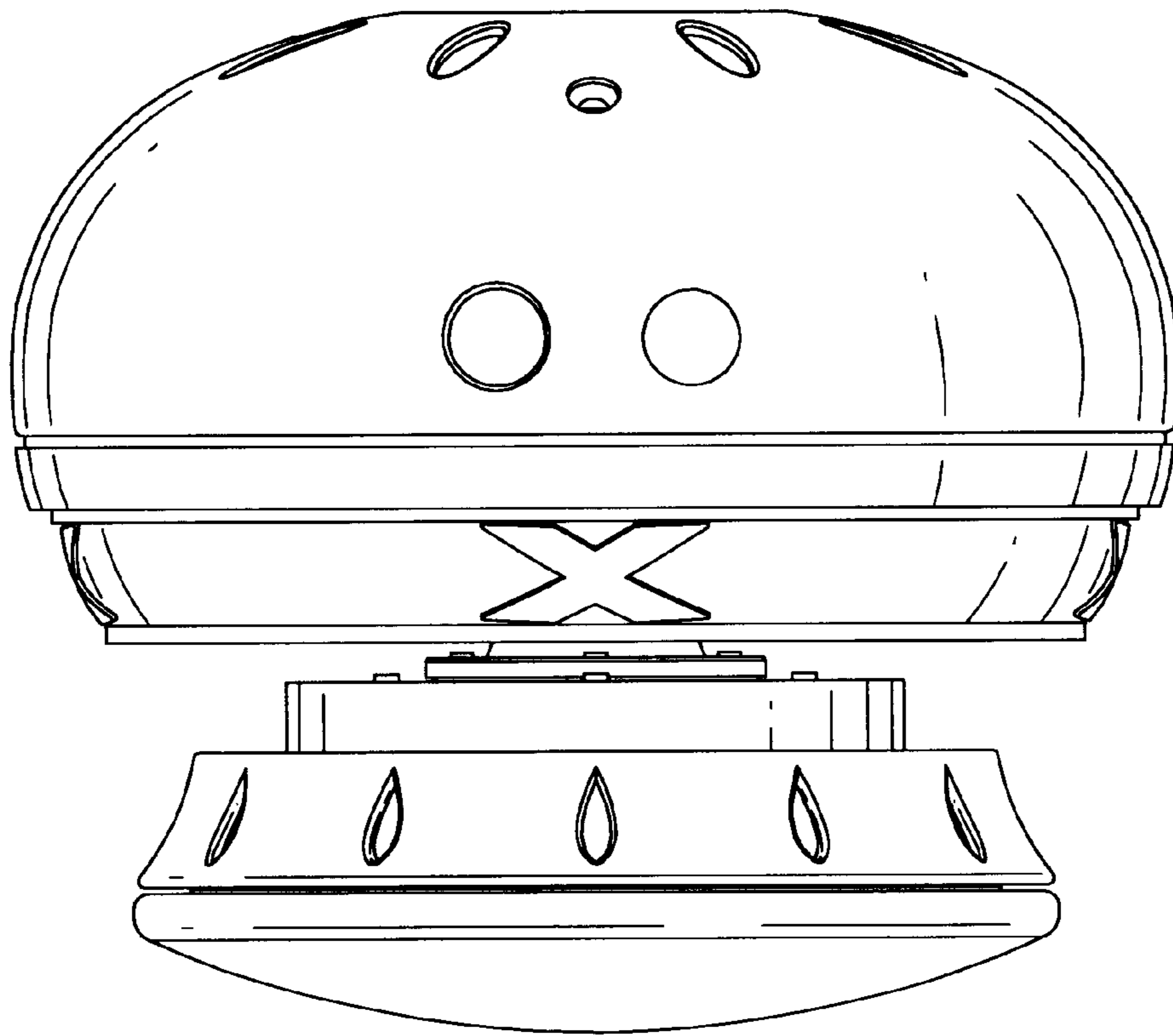


FIG. 3

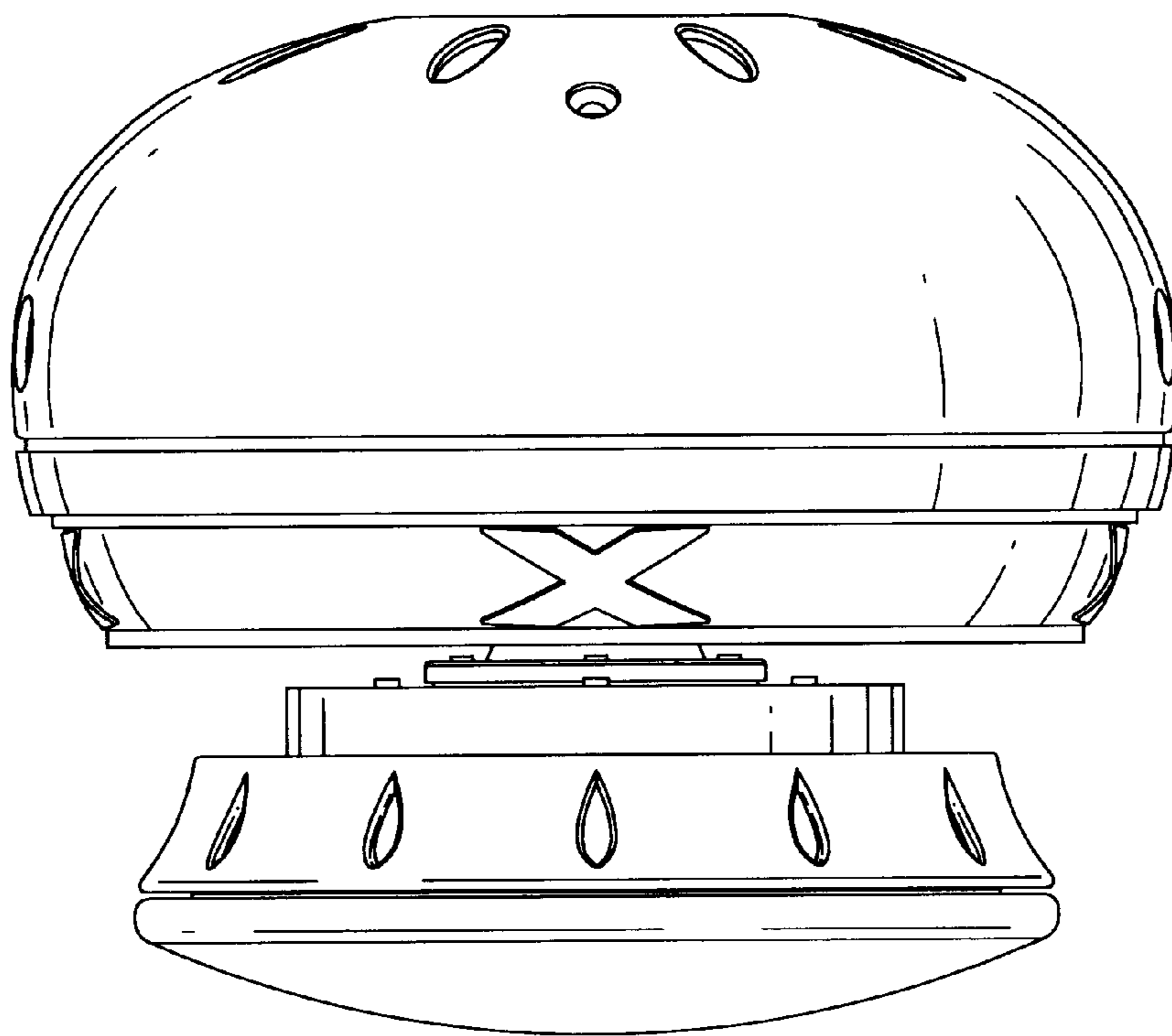


FIG. 4

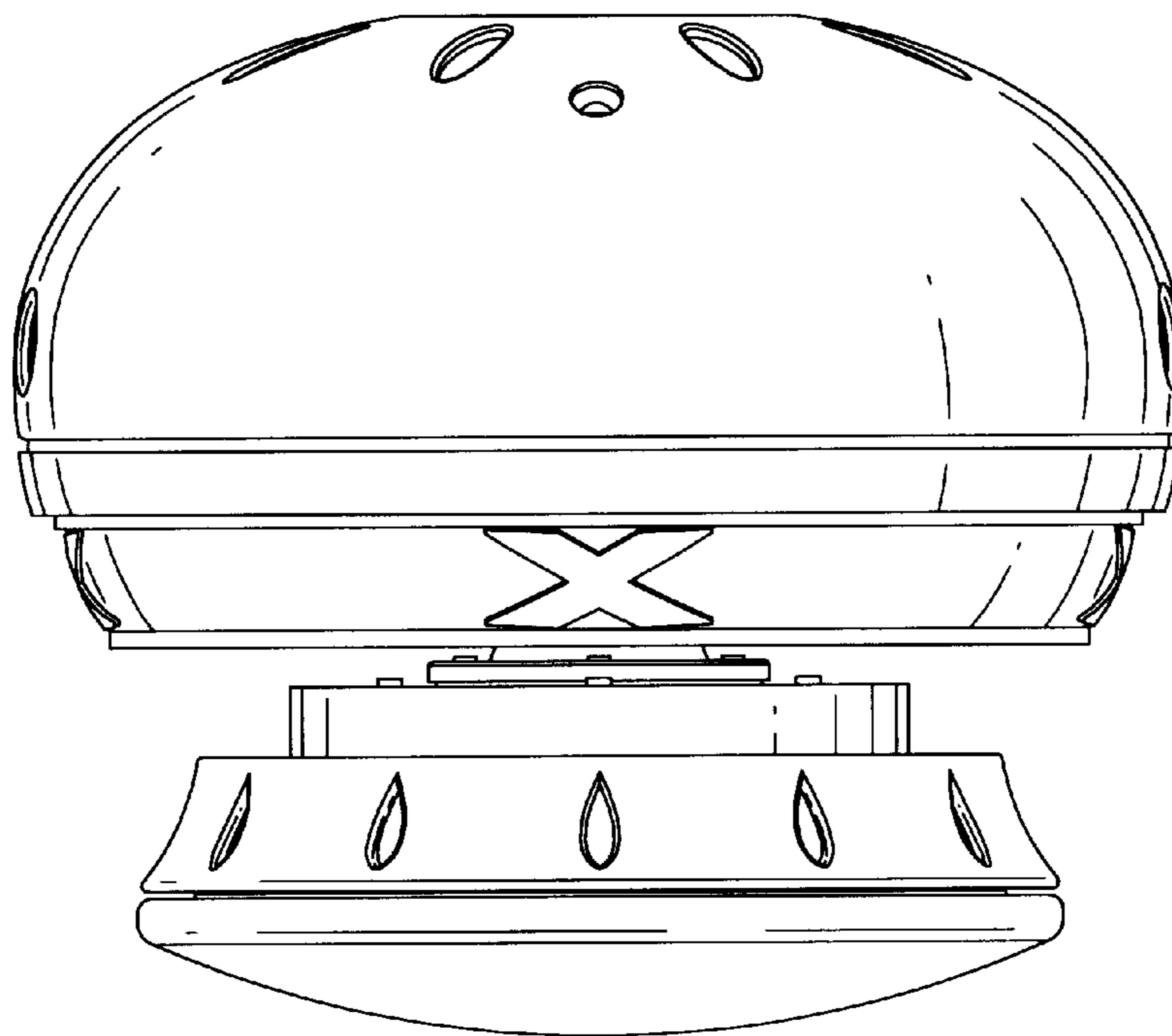


FIG. 5

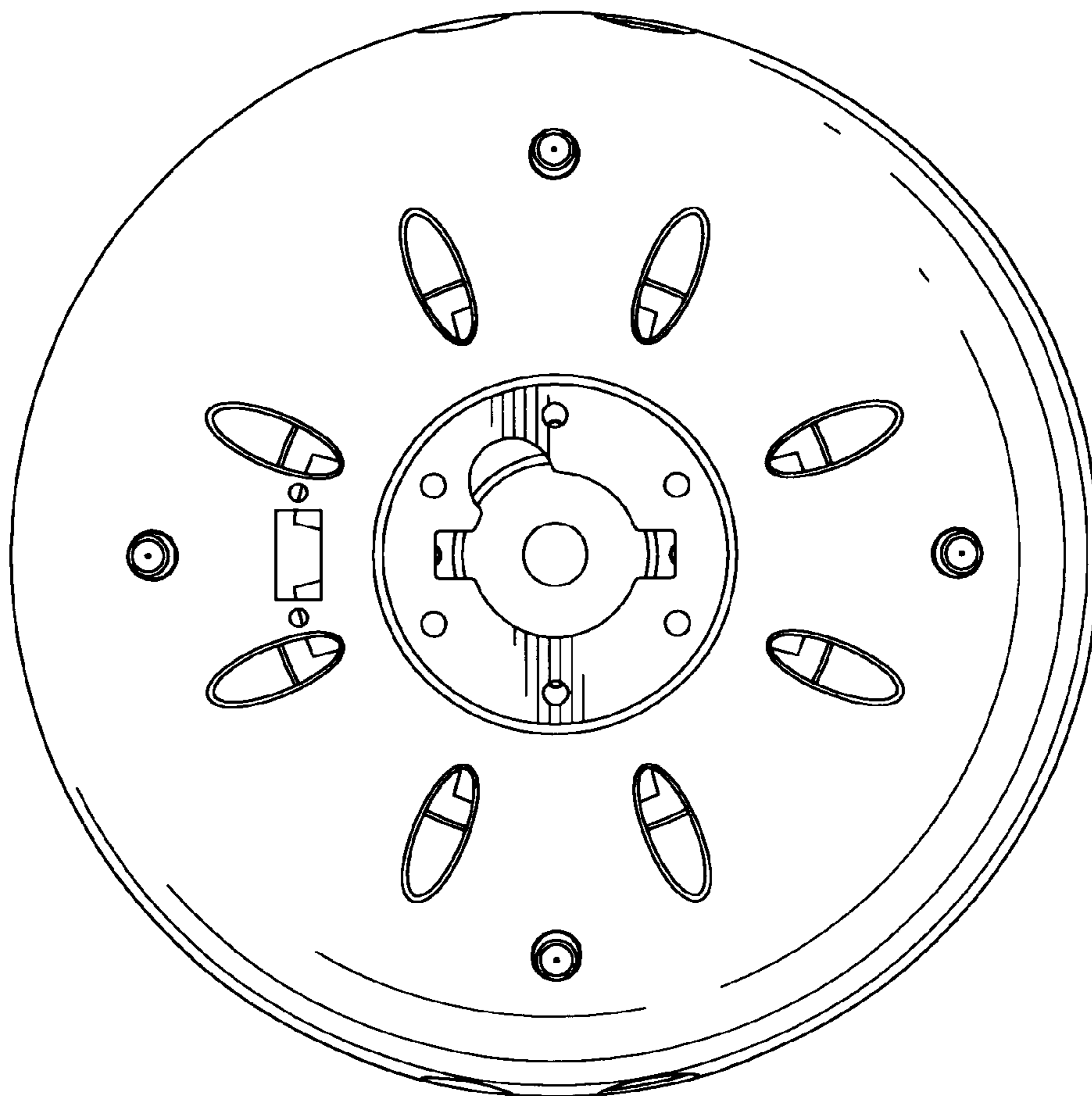


FIG. 6

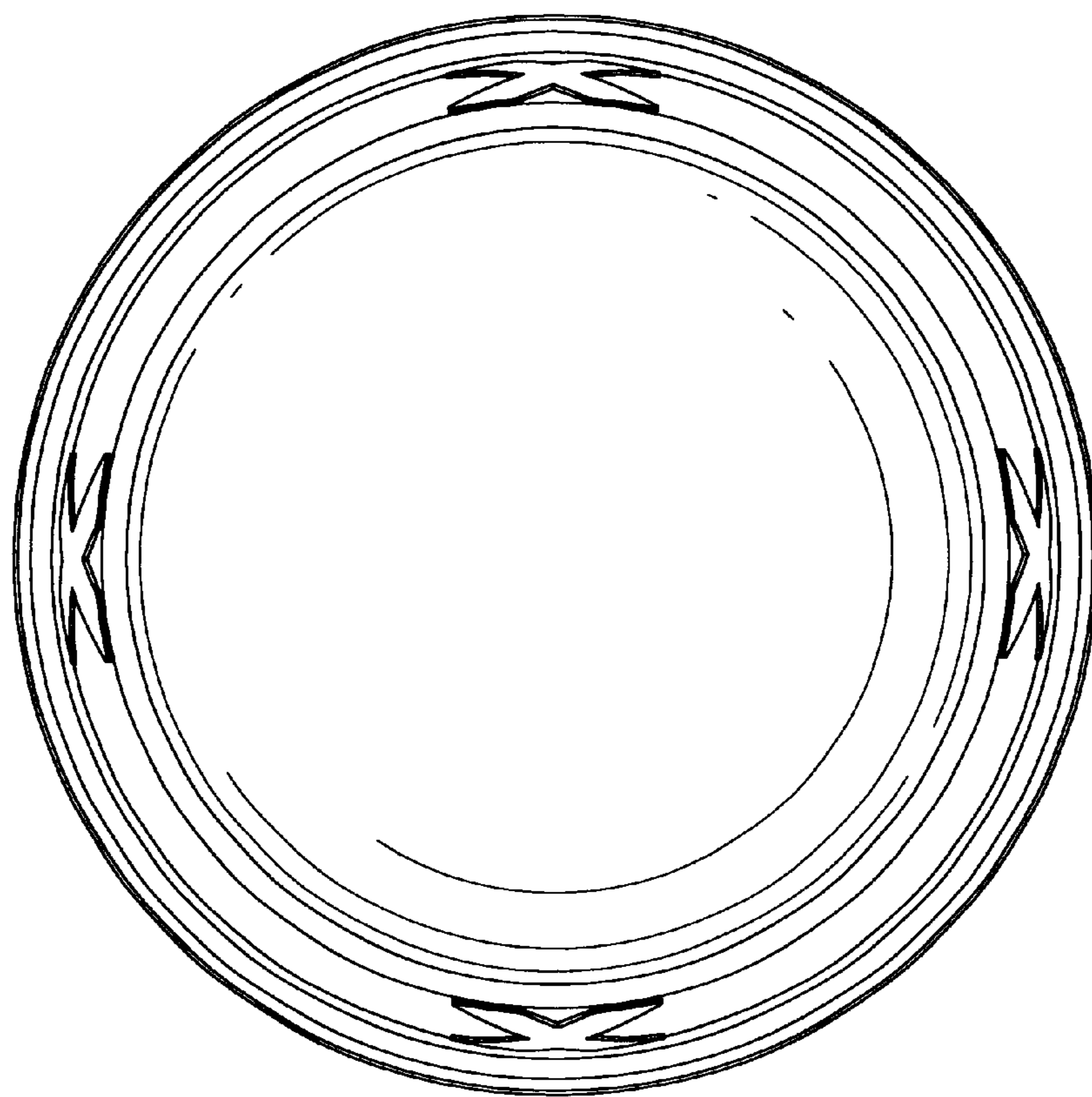


FIG. 7

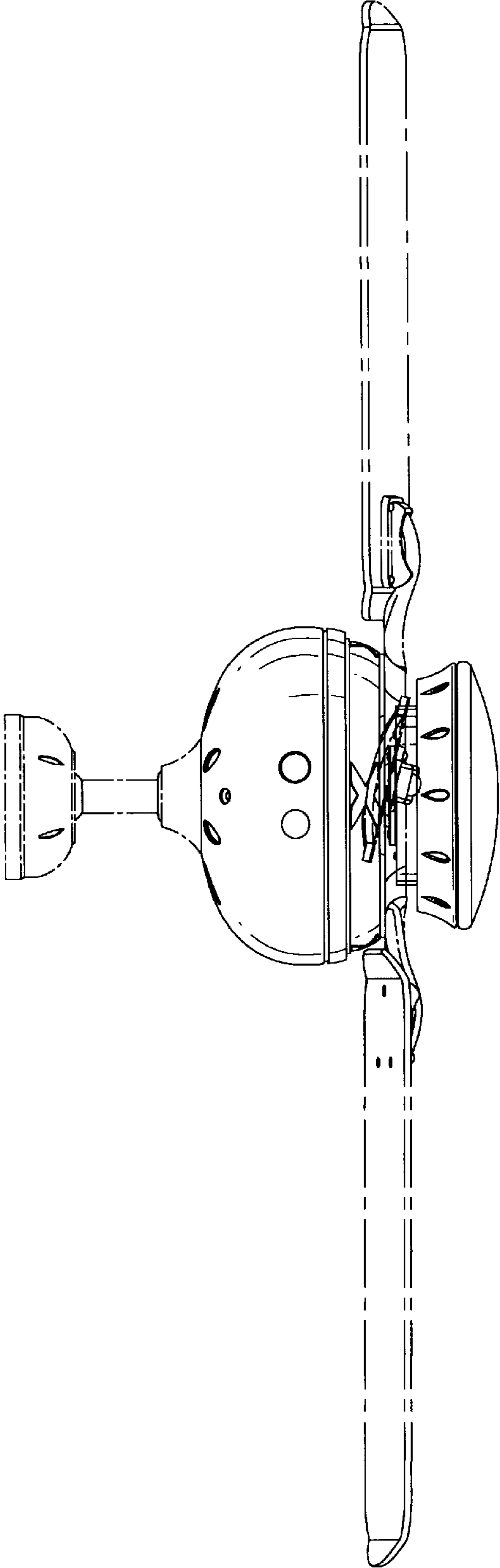


FIG. 8