



US00D525696S

(12) **United States Design Patent**
Ertze

(10) **Patent No.:** **US D525,696 S**
(45) **Date of Patent:** **** Jul. 25, 2006**

(54) **COMBINED CEILING FAN MOTOR HOUSING AND LIGHT KIT**

(75) Inventor: **Pablo J. Ertze**, Rancho Cucamonga, CA (US)

(73) Assignee: **Landmark Enterprises Inc.**, Darussalsm

(**) Term: **14 Years**

(21) Appl. No.: **29/235,576**

(22) Filed: **Aug. 4, 2005**

(51) **LOC (8) Cl.** **23-04**

(52) **U.S. Cl.** **D23/377; D23/379; D26/59**

(58) **Field of Classification Search** **D23/377, D23/379, 385, 411, 413; 416/5; D26/59, D26/72, 81-88, 51**

See application file for complete search history.

(56) **References Cited**

U.S. PATENT DOCUMENTS

D363,540 S * 10/1995 Yen D23/411

D489,126 S * 4/2004 Young D23/411

* cited by examiner

Primary Examiner—Lisa Lichtenstein

(74) *Attorney, Agent, or Firm*—Troxell Law Office, PLLC

(57) **CLAIM**

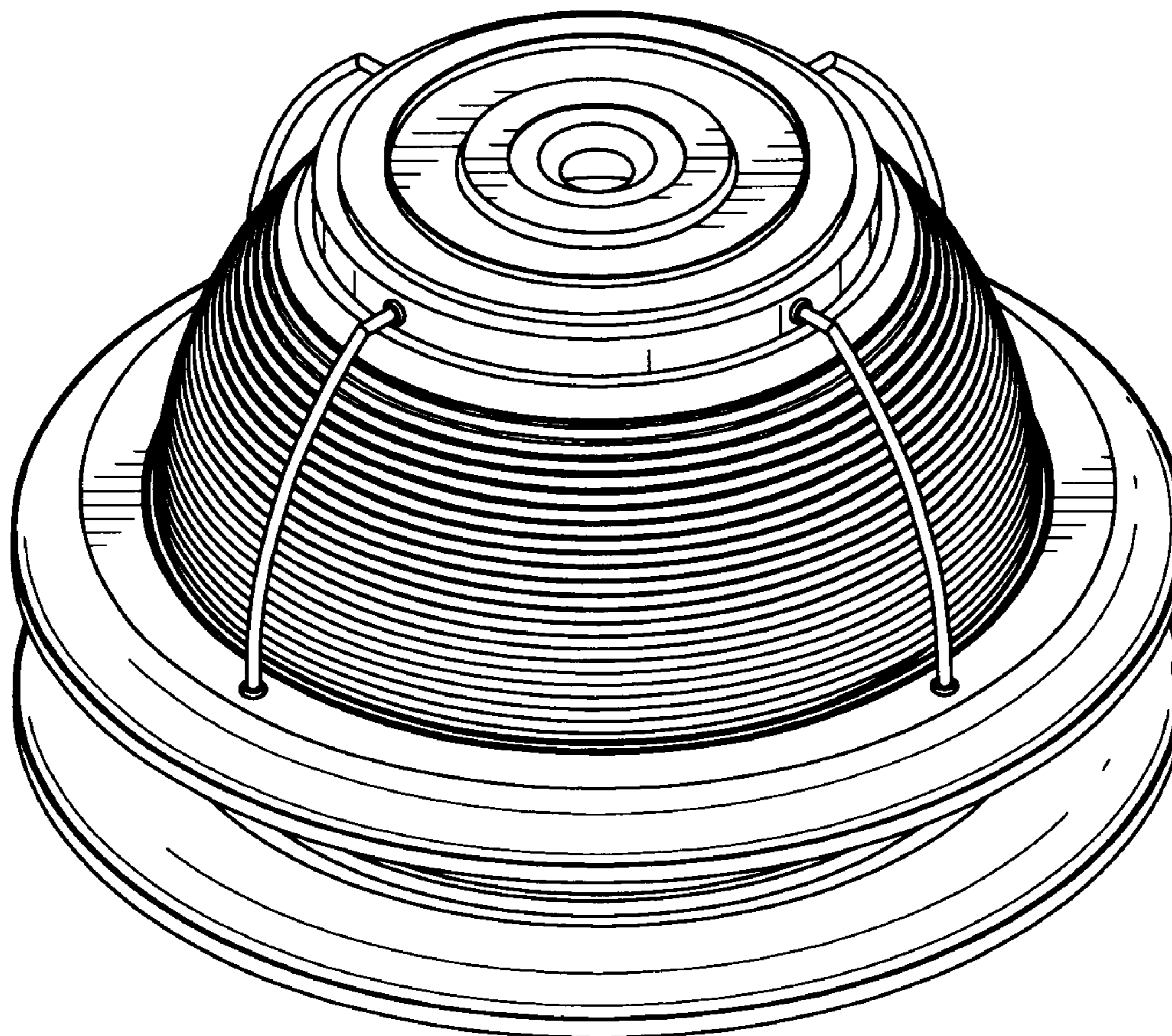
The ornamental design for a combined ceiling fan motor housing and light kit, as shown and described.

DESCRIPTION

FIG. 1 is a perspective view of a combined ceiling fan motor housing and light kit showing my new design; FIG. 2 is a front end elevation view thereof; FIG. 3 is a rear end elevation view thereof; FIG. 4 is a left side elevation view thereof; FIG. 5 is a right side elevation view thereof; FIG. 6 is a top plan view thereof; and, FIG. 7 is a bottom plan view thereof; and, FIG. 8 is a reduced front end view of the combined ceiling fan motor housing and light kit in accordance with my design, shown in its environment.

The broken lines in FIG. 8 show environmental features, which are for illustrative purposes only and form no part of the claimed design.

1 Claim, 5 Drawing Sheets



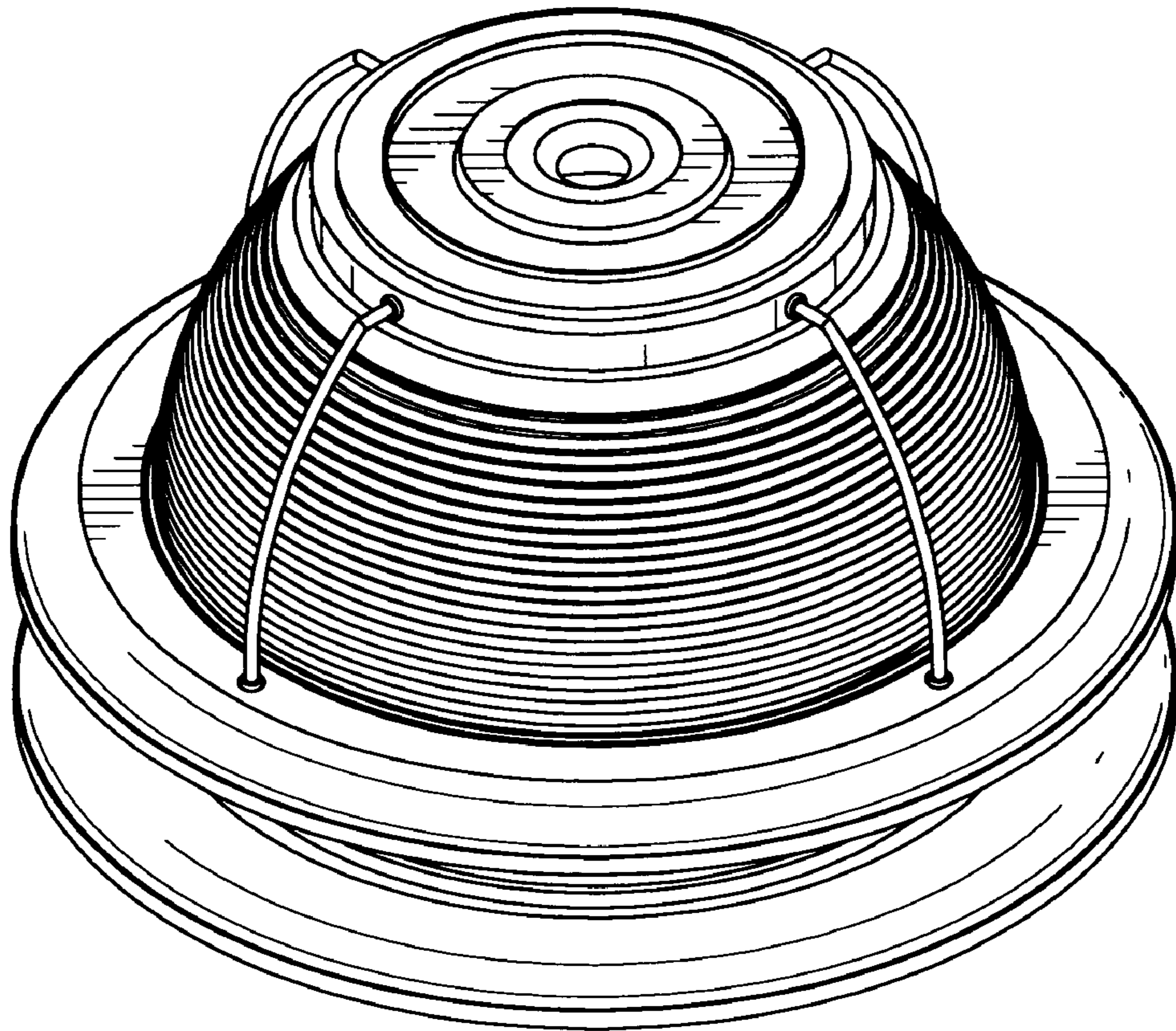


FIG. 1

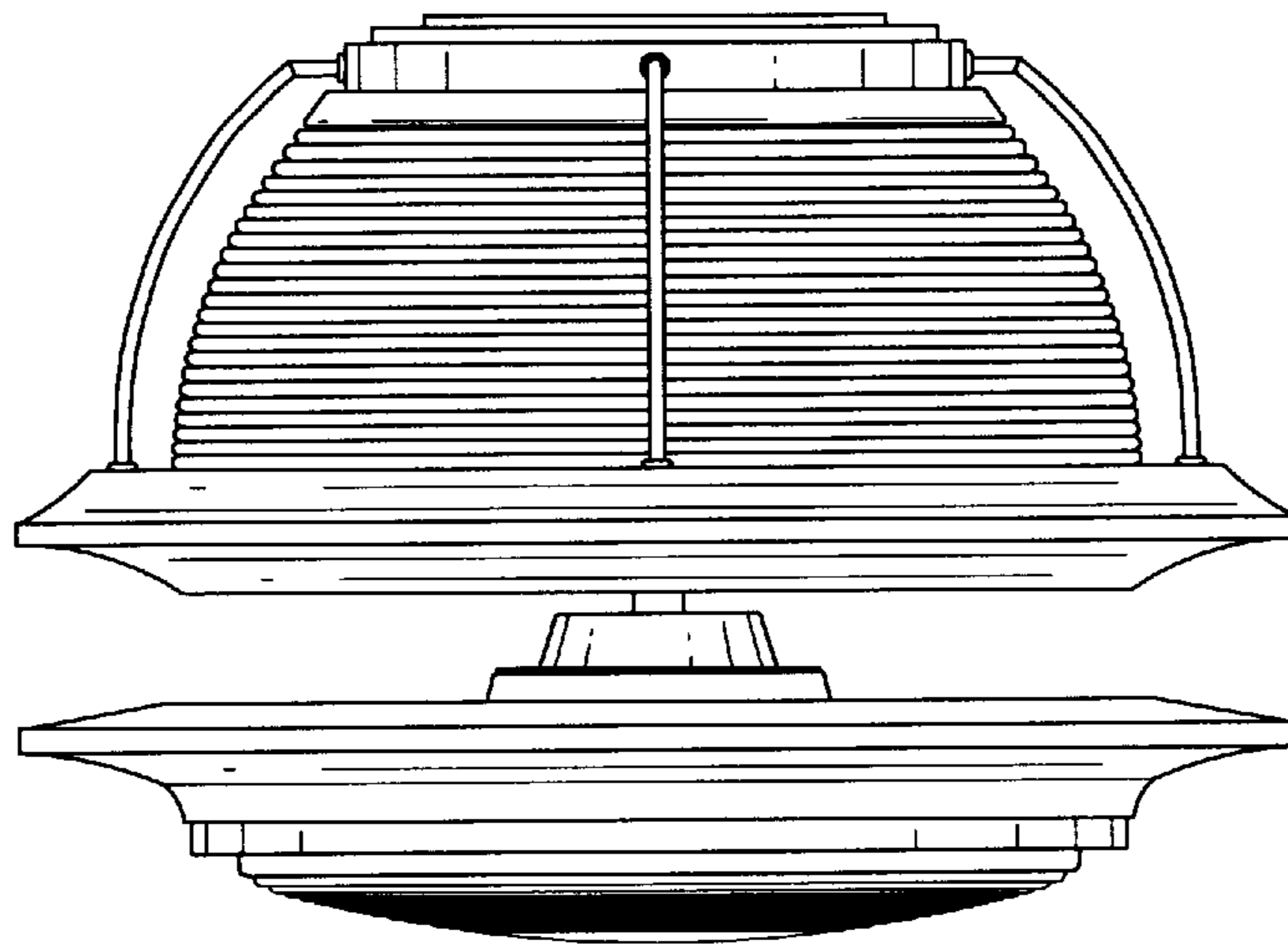


FIG. 2

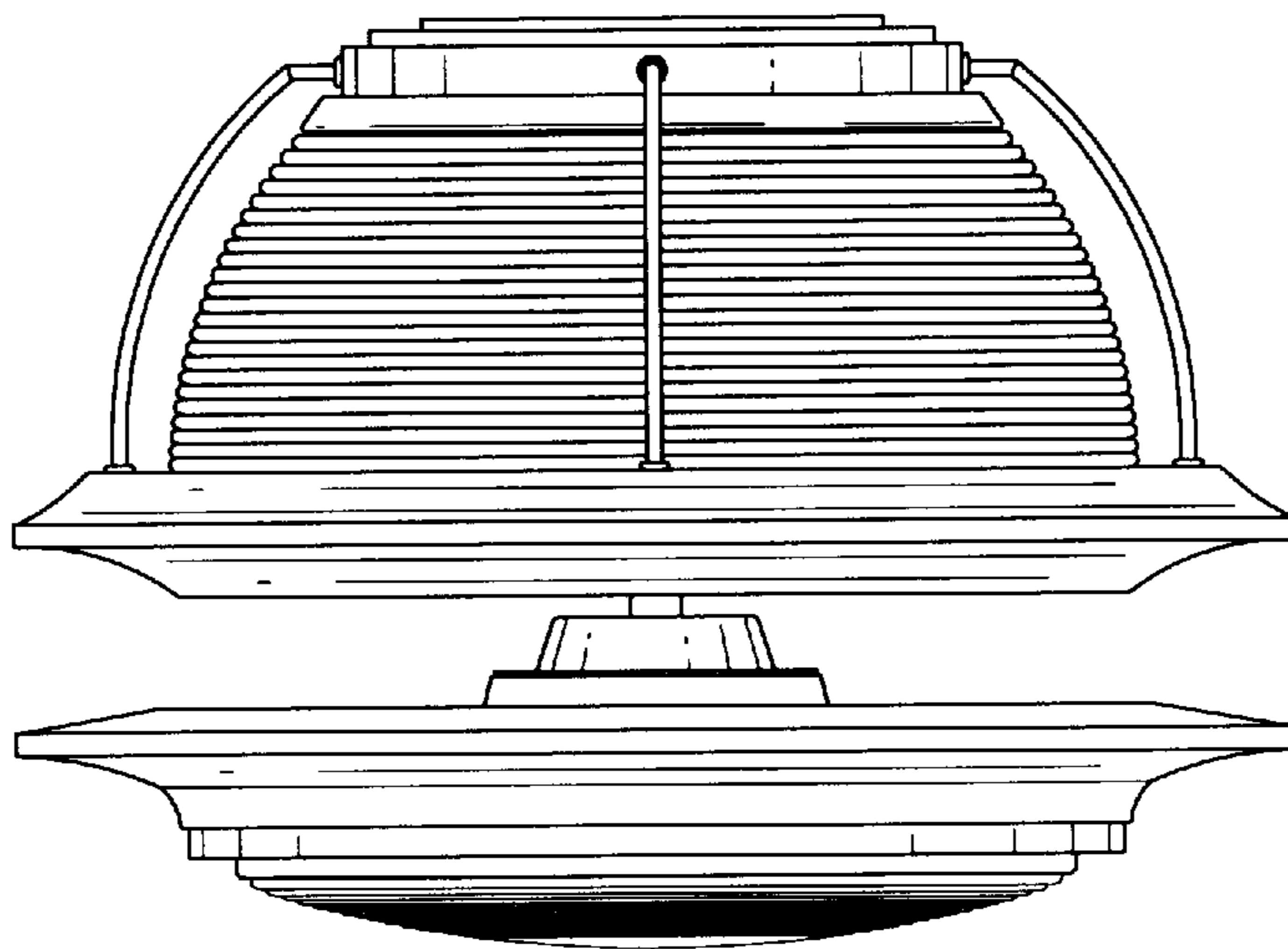


FIG. 3

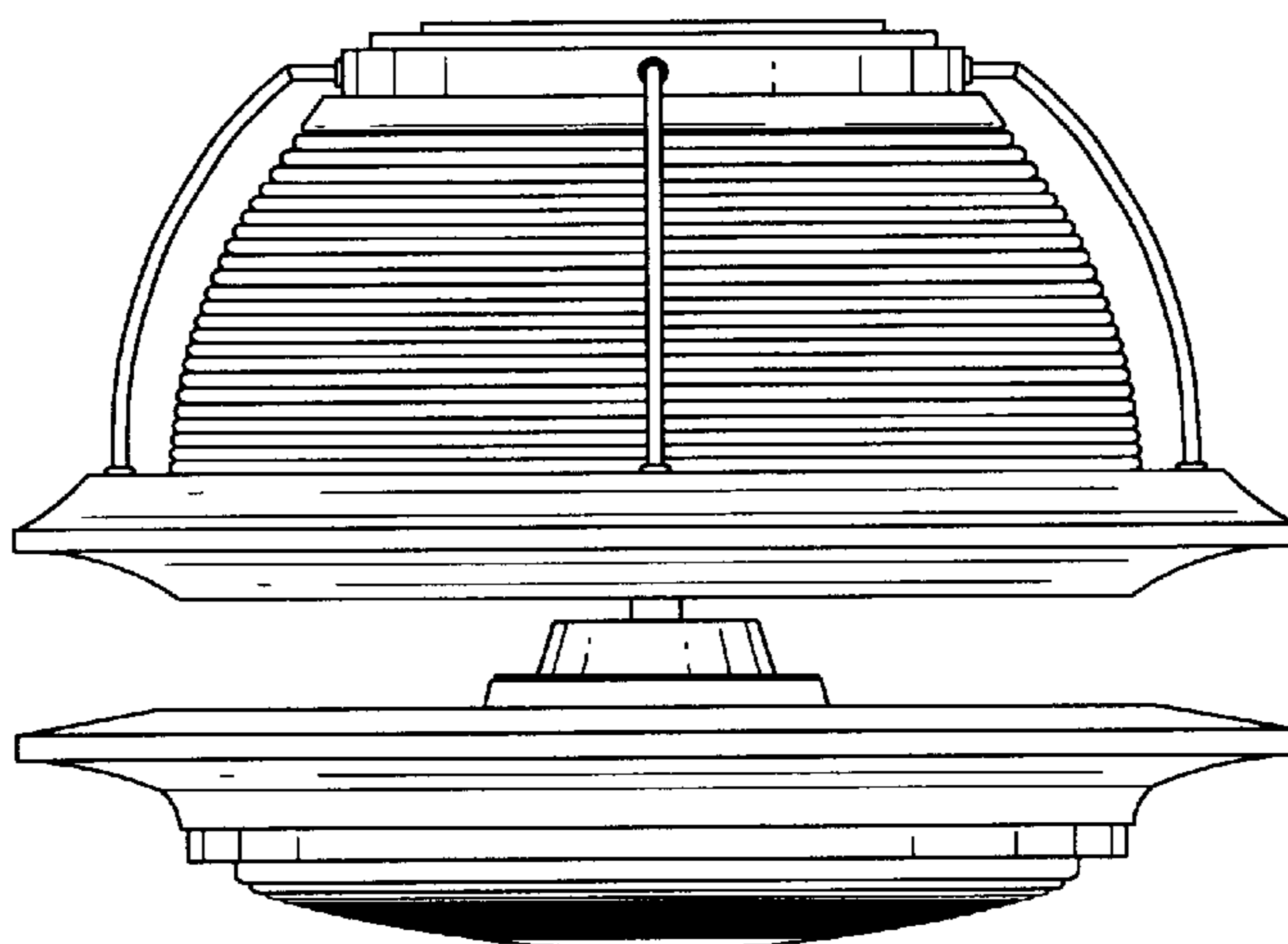


FIG. 4

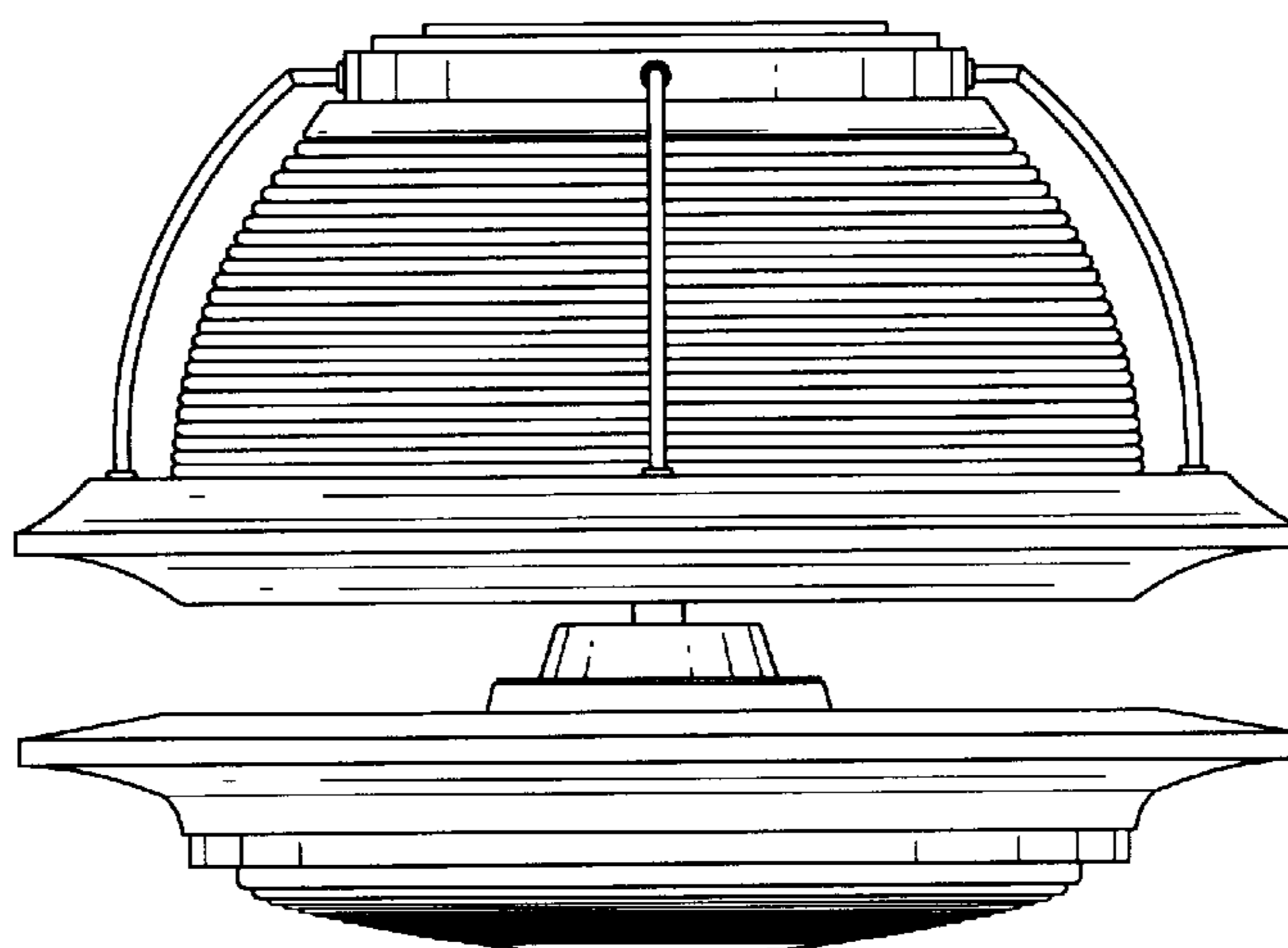


FIG. 5

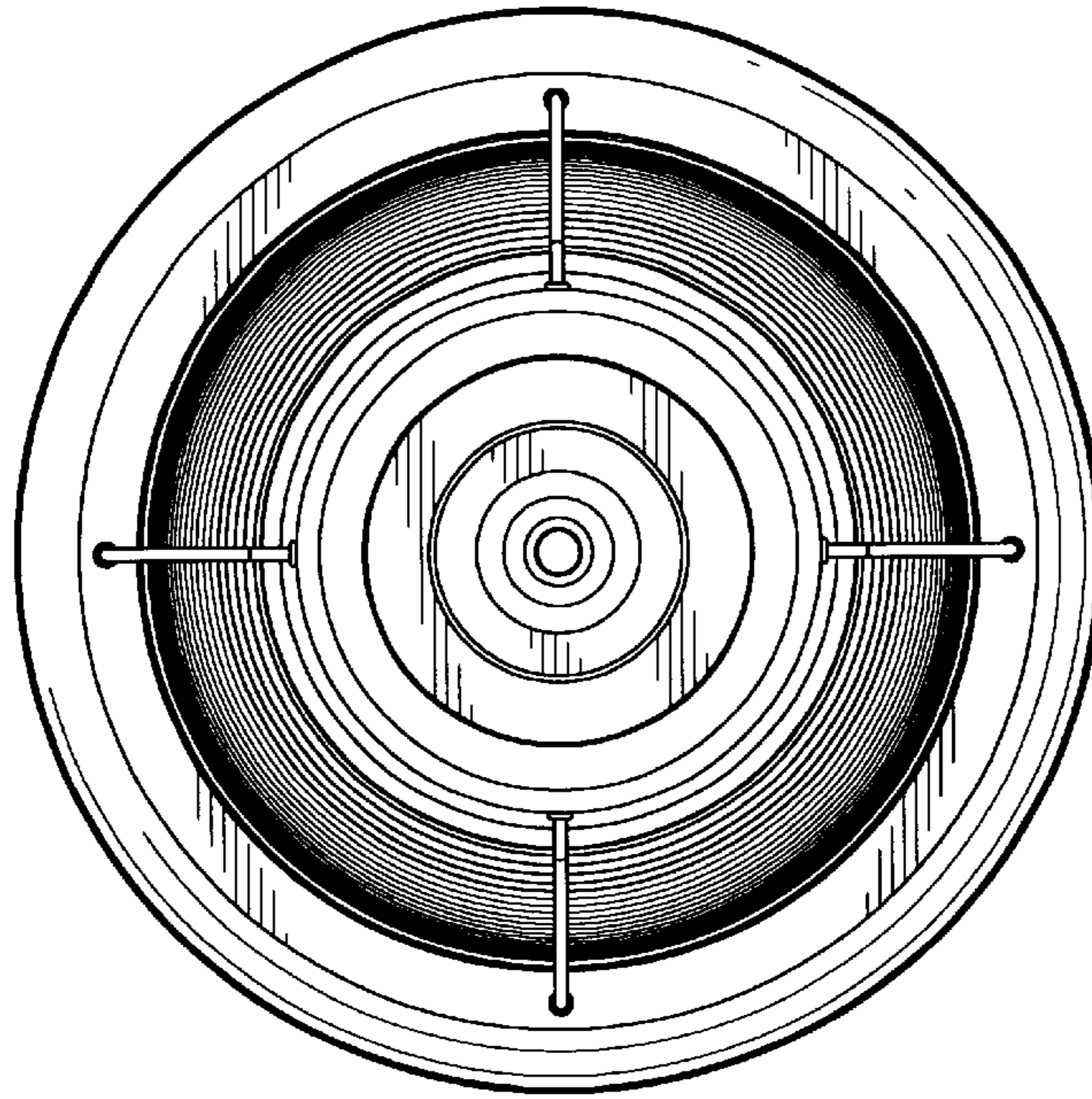


FIG. 6

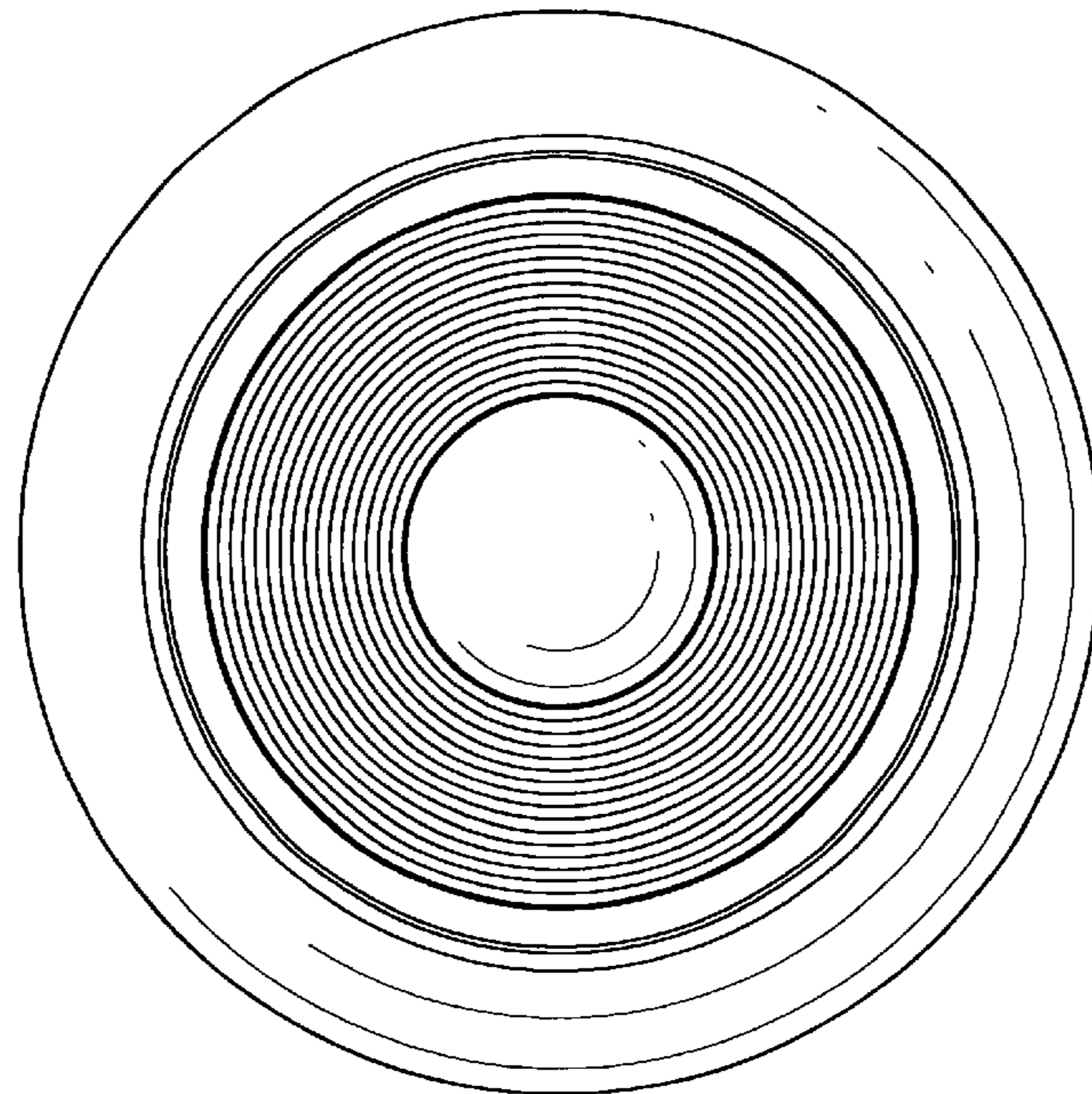


FIG. 7

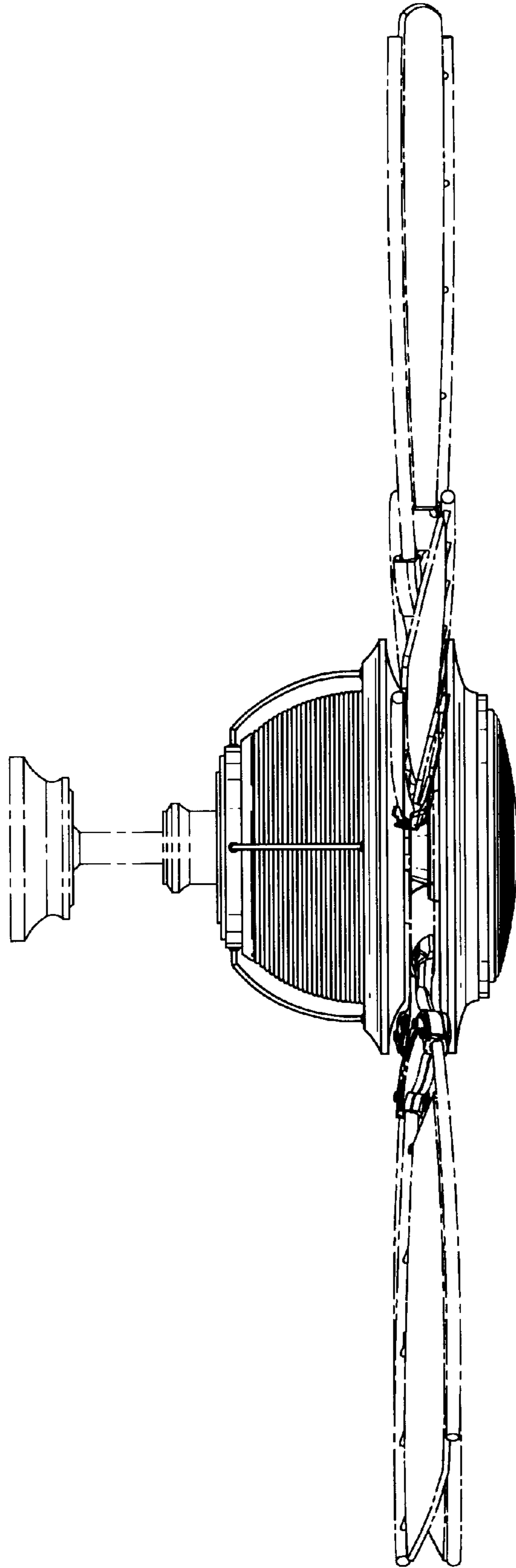


FIG. 8