



US00D525693S

(12) **United States Design Patent**  
**Butler et al.**

(10) **Patent No.:** **US D525,693 S**

(45) **Date of Patent:** **\*\* Jul. 25, 2006**

(54) **AIR FRESHENER REFILL**

(75) Inventors: **Martin Butler**, Hull (GB); **Richard Read**, Slough (GB); **Christopher Smith**, Macclesfield (GB)

(73) Assignee: **Reckitt Benckiser (UK) Limited**, Slough (GB)

(\*\*) Term: **14 Years**

(21) Appl. No.: **29/211,931**

(22) Filed: **Aug. 23, 2004**

(30) **Foreign Application Priority Data**

Feb. 25, 2004 (EM) ..... 000140207

(51) **LOC (8) Cl.** ..... **23-04**

(52) **U.S. Cl.** ..... **D23/366**

(58) **Field of Classification Search** ..... D23/356-369;  
392/390, 392, 393, 394, 398; 239/34, 53,  
239/56, 57, 58, 135, 136; 261/DIG. 17, DIG. 65,  
261/DIG. 88, DIG. 89; D26/9, 12, 22  
See application file for complete search history.

(56) **References Cited**

U.S. PATENT DOCUMENTS

3,951,622 A	*	4/1976	Wilk	.....	239/6
5,165,603 A	*	11/1992	Hahn	.....	239/55
D389,906 S	*	1/1998	Goeren et al.	.....	D23/367
5,749,519 A	*	5/1998	Miller	.....	239/44

\* cited by examiner

*Primary Examiner*—Sandra S. Snapp

(74) *Attorney, Agent, or Firm*—Norris McLaughlin & Marcus PA

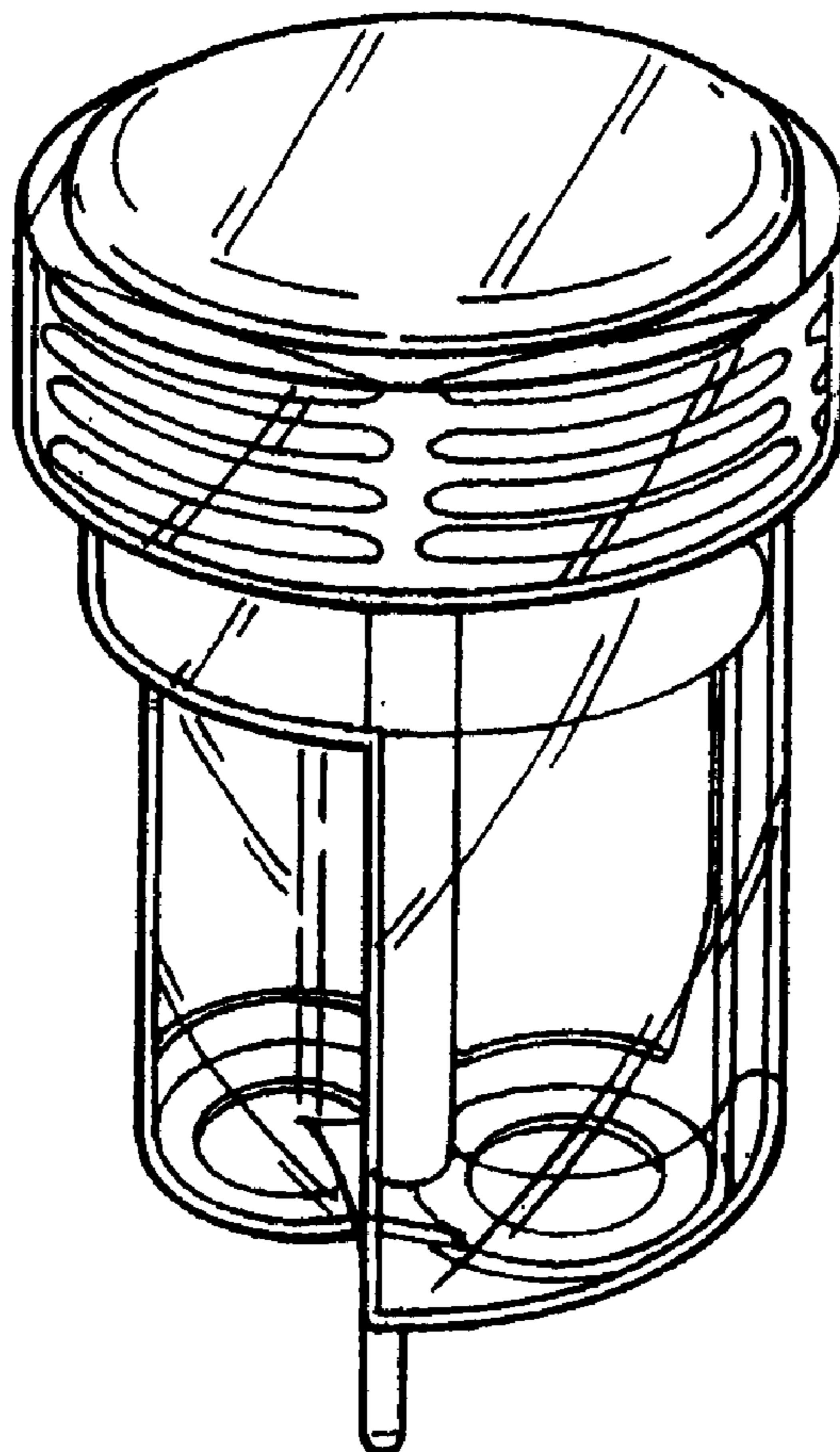
(57) **CLAIM**

The ornamental design for an air freshener refill, as shown and described.

**DESCRIPTION**

FIG. 1 is a perspective view of the air freshener refill.  
FIG. 2 is an elevation view of one side of the air freshener refill.  
FIG. 3 is an elevation view of another side of the air freshener refill.  
FIG. 4 is a plan view of the top of the air freshener refill; and,  
FIG. 5 is a plan view of the bottom of the air freshener refill.

**1 Claim, 1 Drawing Sheet**



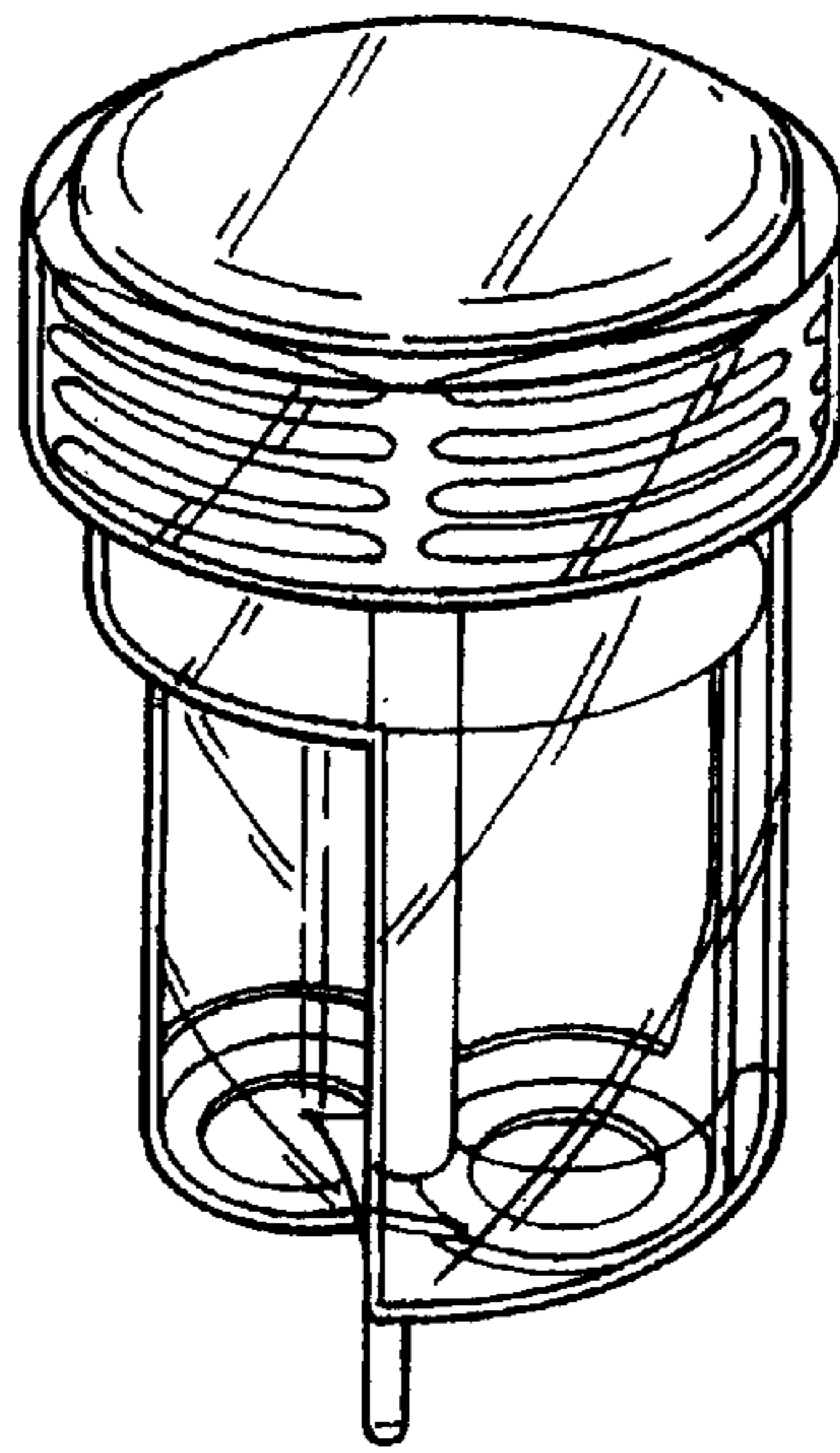


Fig.1.

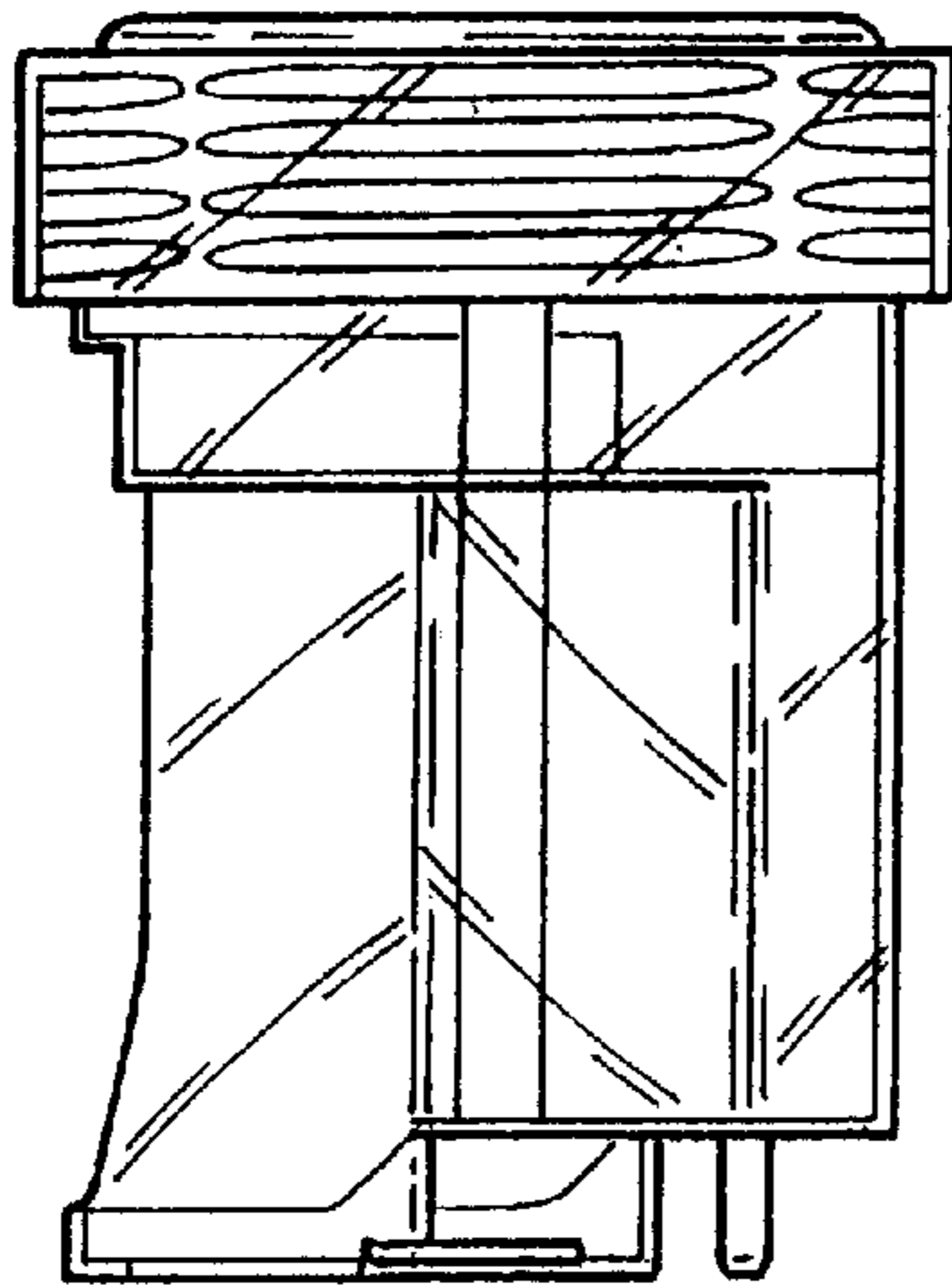


Fig.2.

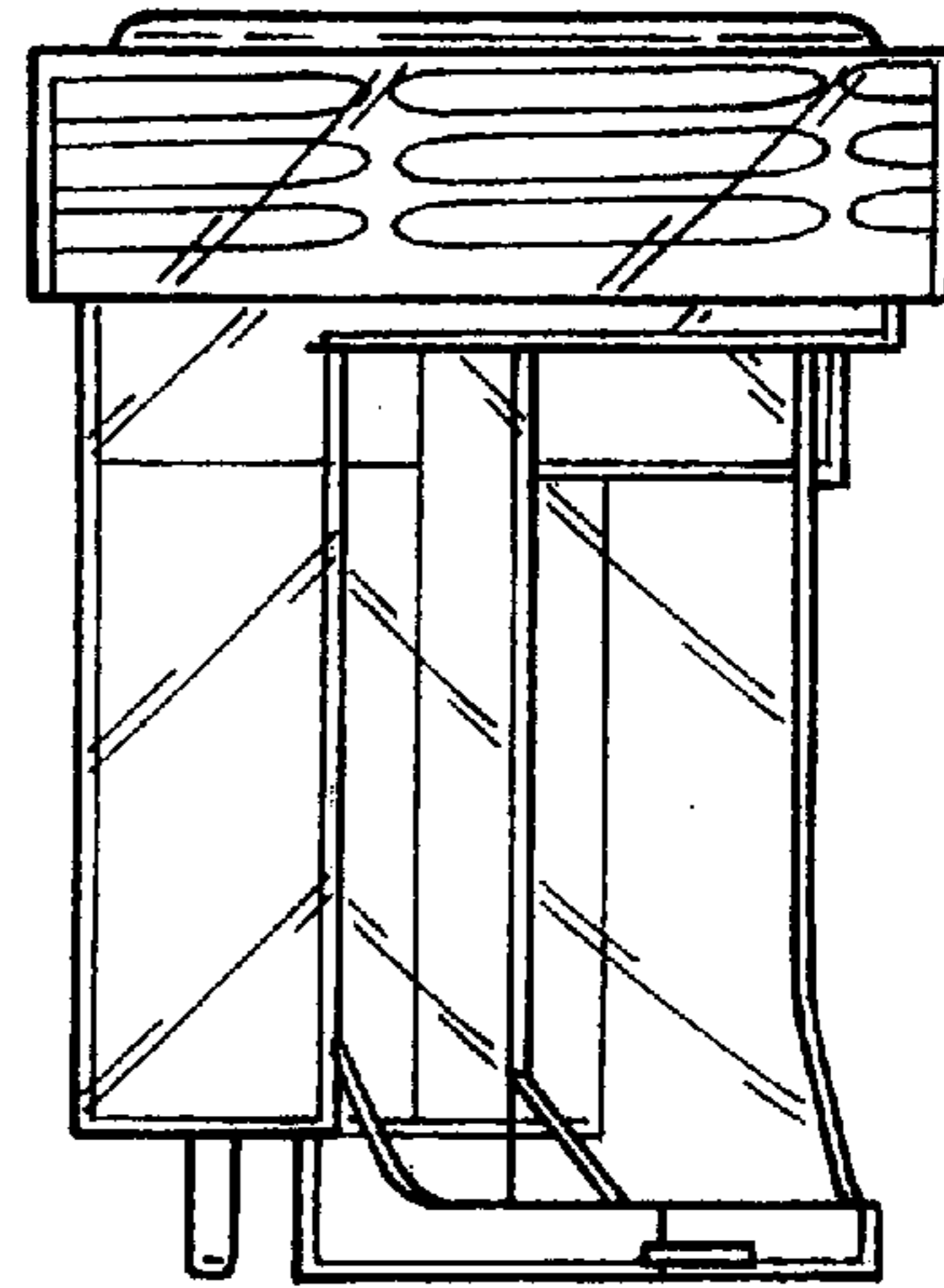


Fig.3.

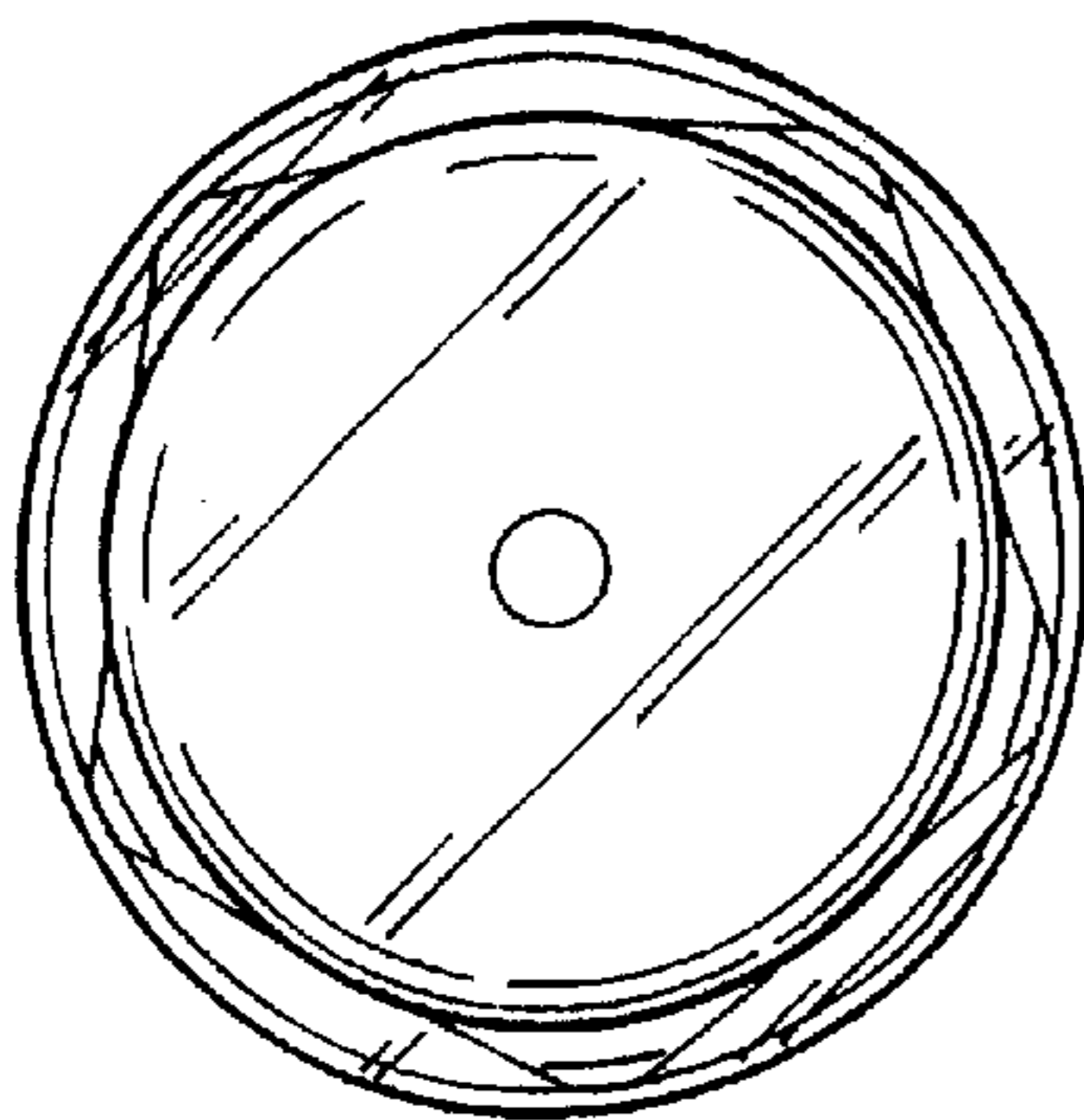


Fig.4.

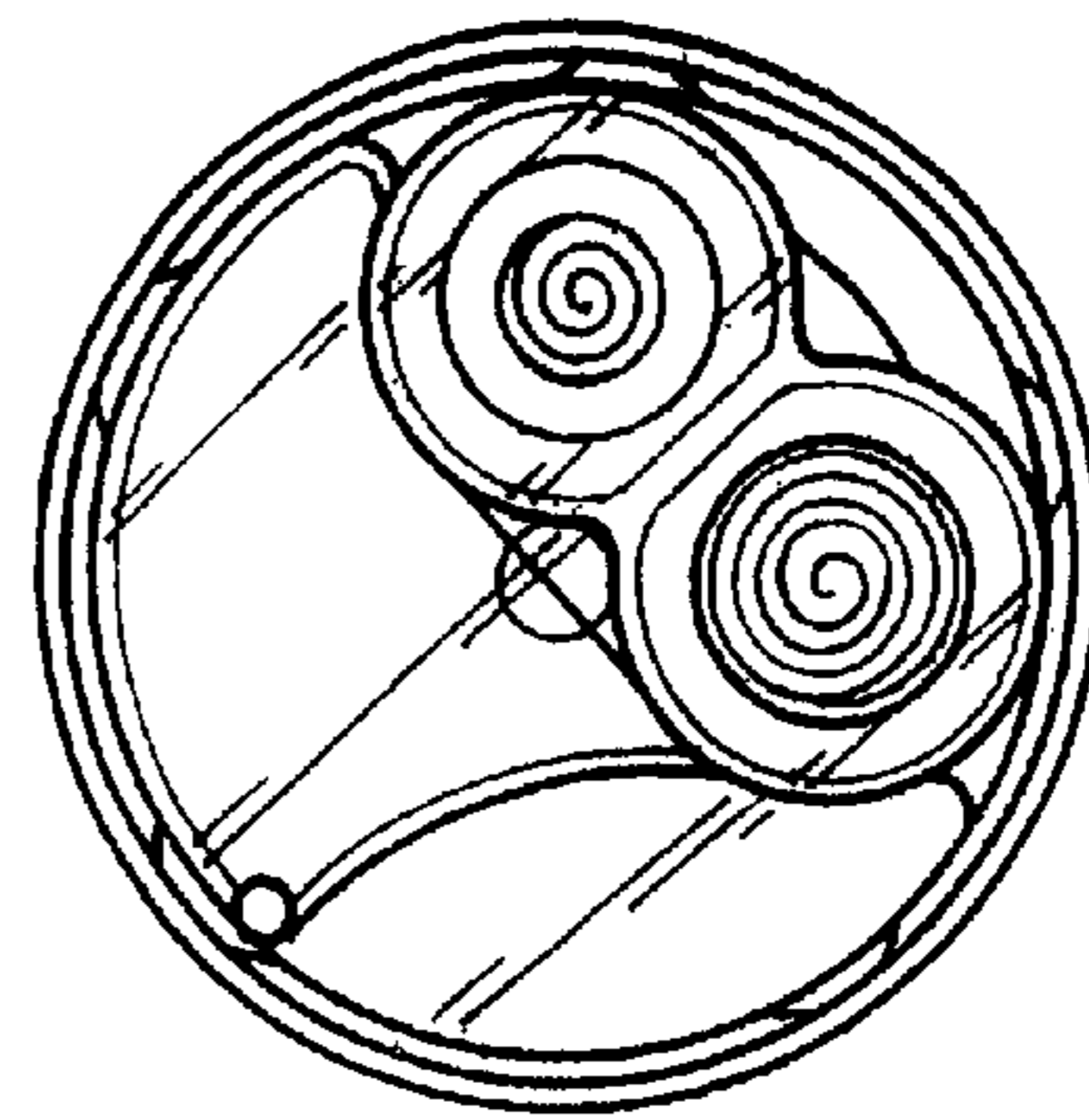


Fig.5.