



US00D525688S

(12) **United States Design Patent** (10) **Patent No.:** **US D525,688 S**
Licini (45) **Date of Patent:** **** Jul. 25, 2006**

(54) **TUB FOR BATHING**

(75) Inventor: **Frederic Licini**, Paris (FR)

(73) Assignee: **Kohler France SAS**, Paris (FR)

(**) Term: **14 Years**

(21) Appl. No.: **29/220,851**

(22) Filed: **Jan. 7, 2005**

(51) **LOC (8) Cl.** **23-02**

(52) **U.S. Cl.** **D23/280.1**

(58) **Field of Classification Search** D23/273,
D23/276–277, 280.1–280.3, 303–306; D24/204–205;
4/538, 584

See application file for complete search history.

(56) **References Cited**

U.S. PATENT DOCUMENTS

D300,661 S * 4/1989 Dowse D24/204
D333,180 S * 2/1993 Kaiser D23/280.1
D362,050 S * 9/1995 Jacuzzi D23/277

OTHER PUBLICATIONS

Bathtec website page, Oxford—32, dated Dec. 27, 2004.
Lasco website page, Alydar I—Builder’s Choice—Whirl-
pools, Bubblers & Soaking Tubs, Model #5660621; Model
#5660620 (soaking tub), dated Dec. 28, 2004.

* cited by examiner

Primary Examiner—Robert A Delehanty
(74) *Attorney, Agent, or Firm*—Quarles & Brady LLP

(57) **CLAIM**

The ornamental design for a tub for bathing, as shown and described.

DESCRIPTION

In a preferred embodiment, the nature of this product is as a plumbing fixture in the form of a bathing tub primary useful for washing the human body.

FIG. 1 is a right, top, front perspective view of a tub for bathing embodying my new design;

FIG. 2 is a top plan view thereof;

FIG. 3 is a front elevational view thereof, the rear elevational view thereof being a mirror image of the front elevational view shown;

FIG. 4 is a right side elevational view thereof

FIG. 5 is a left side elevational view thereof;

FIG. 6 is a bottom plan view thereof;

FIG. 7 is a left, top, front perspective view of a tub for bathing according to another embodiment of our new design, the right and left side elevational views thereof being identical to views shown in respective FIGS. 4 and 5;

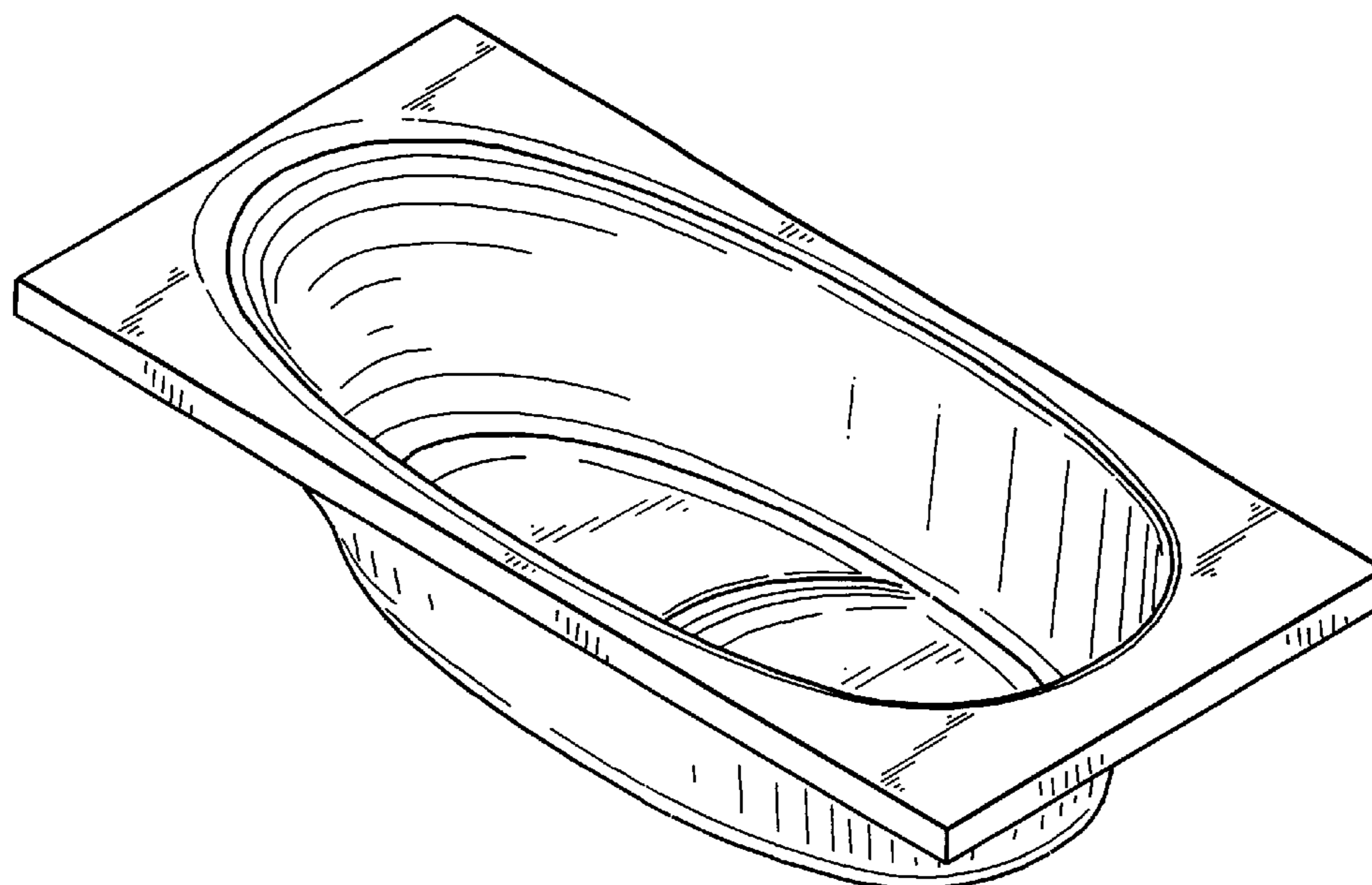
FIG. 8 is a top plan view thereof;

FIG. 9 is a front elevational view thereof, the rear elevational view thereof being a mirror image of the front elevational view shown; and,

FIG. 10 is a bottom plan view thereof.

The broken line representations of a drain in FIGS. 2–6 and 8–10, and an overflow/control in FIGS. 2, 4, 6 and 8 are for the purpose of illustration only, and form no part of the claimed design.

1 Claim, 4 Drawing Sheets



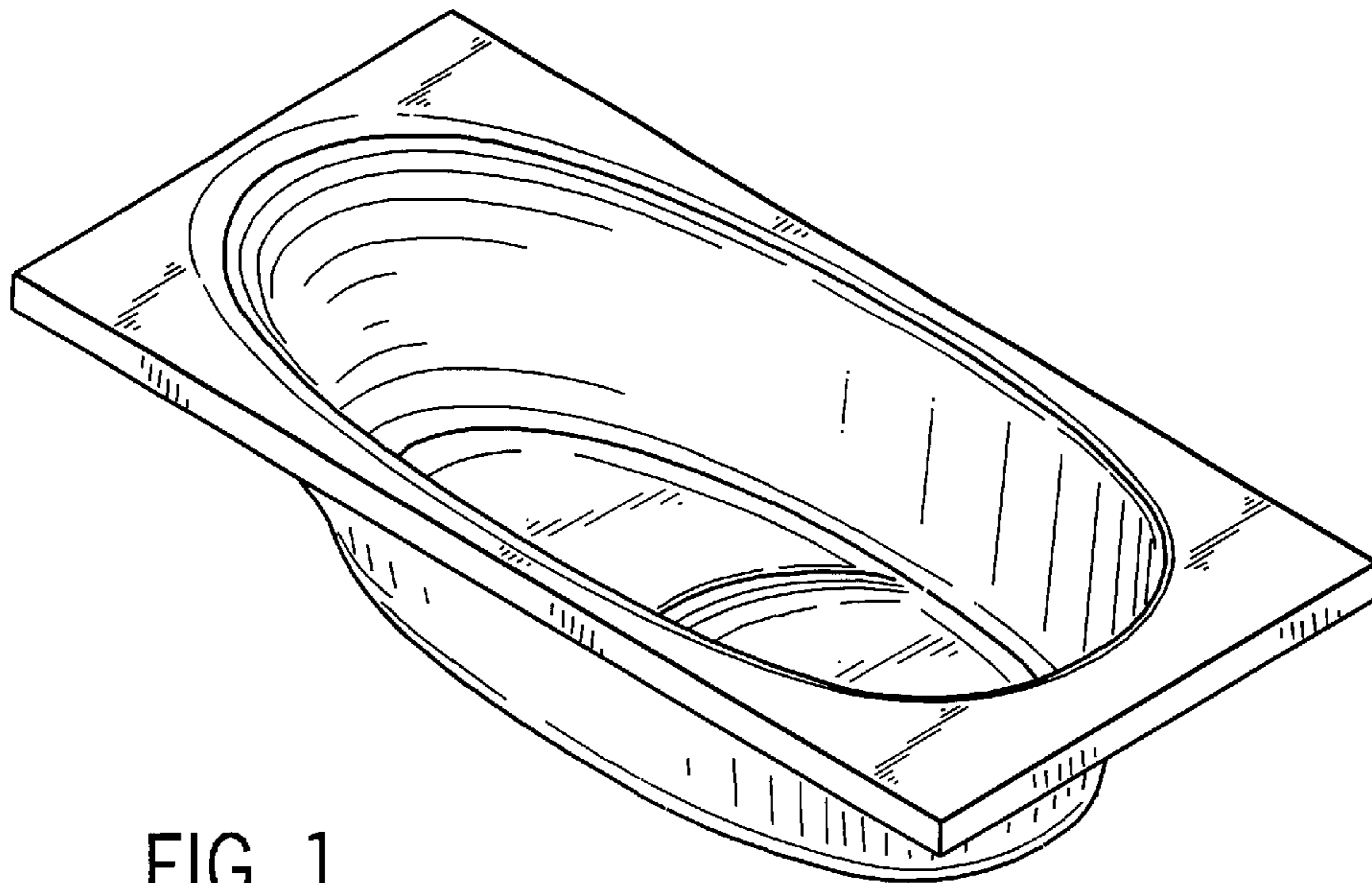


FIG. 1

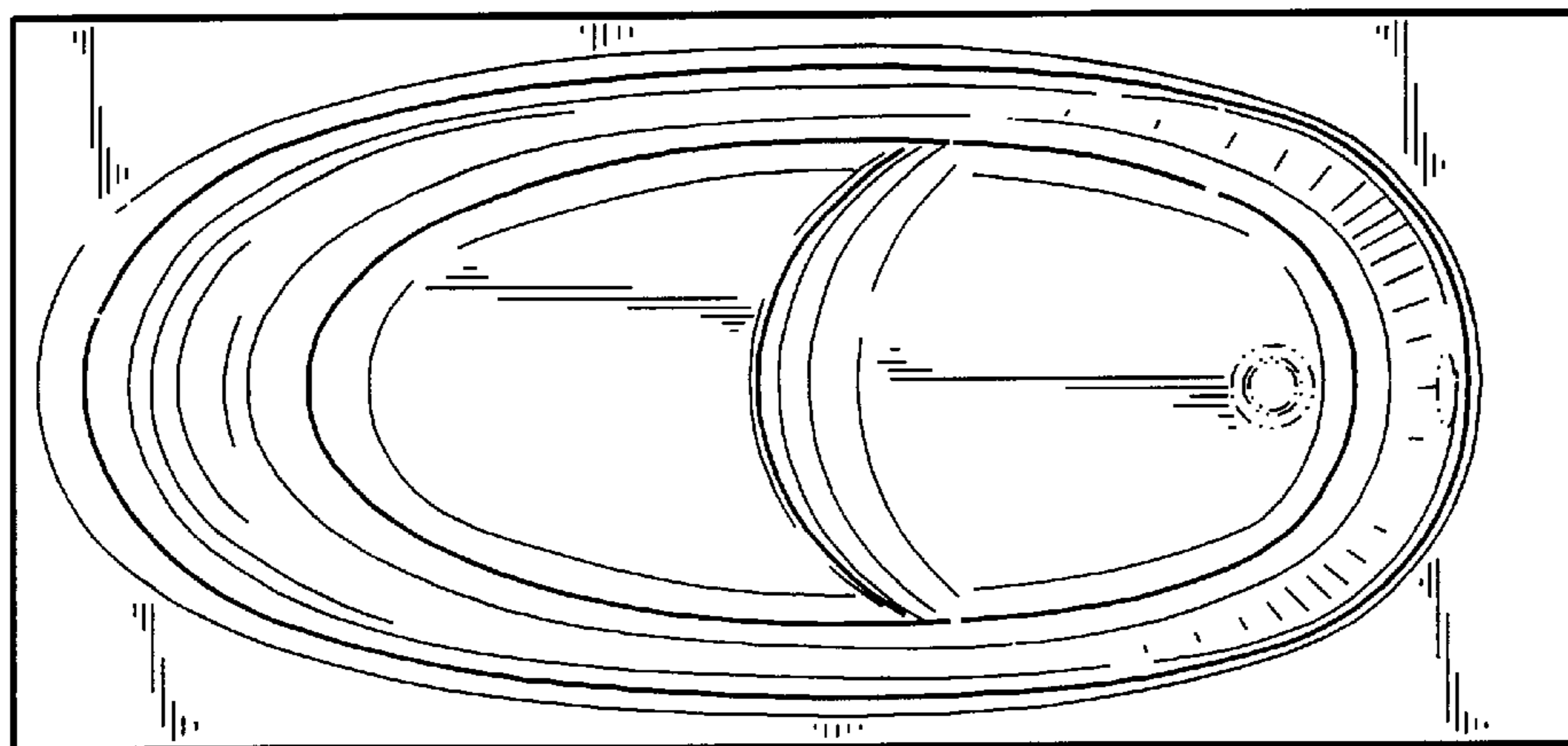


FIG. 2

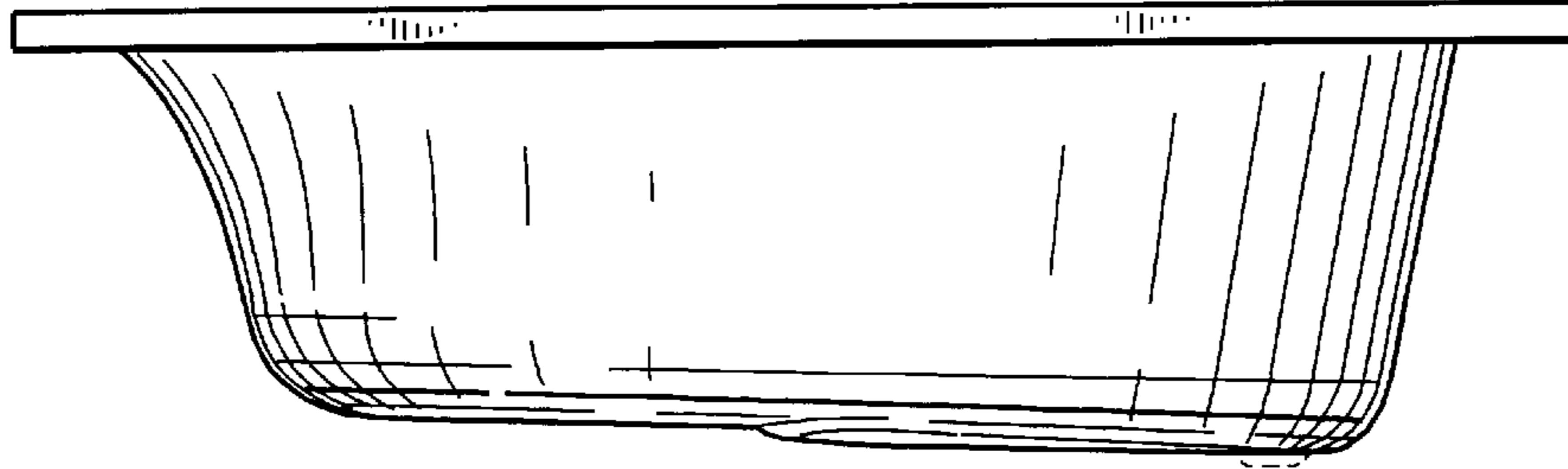


FIG. 3

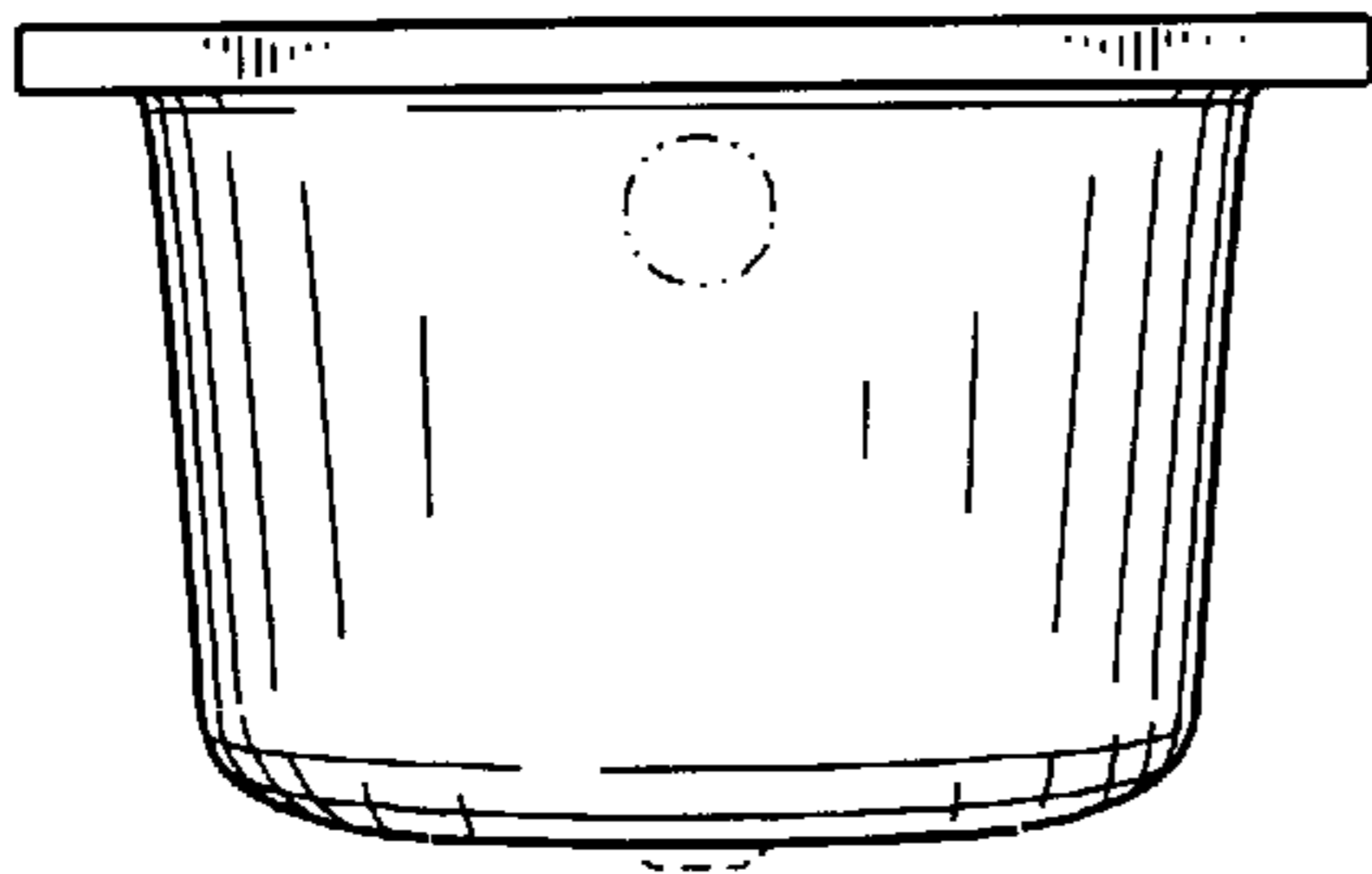


FIG. 4

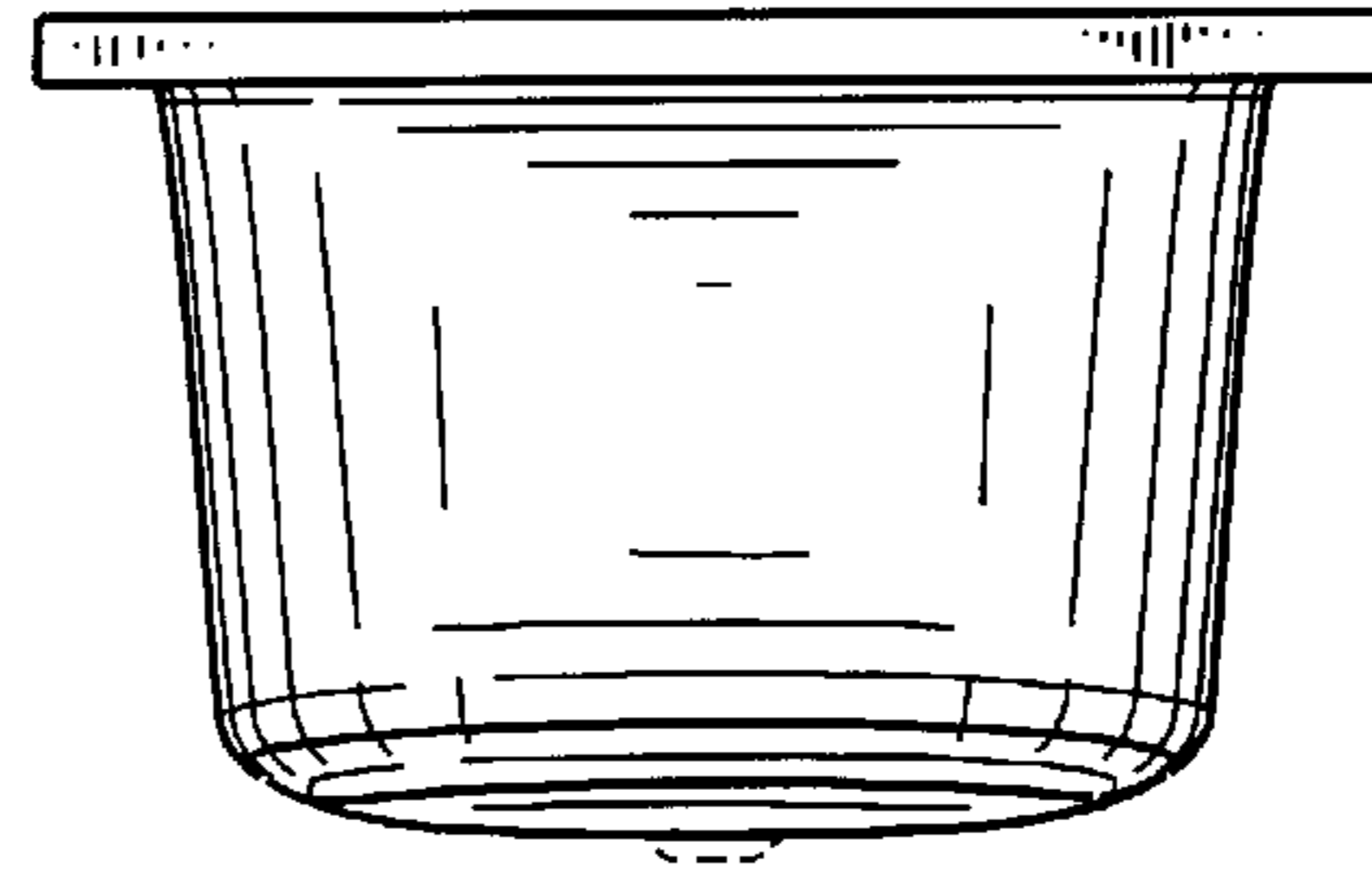


FIG. 5

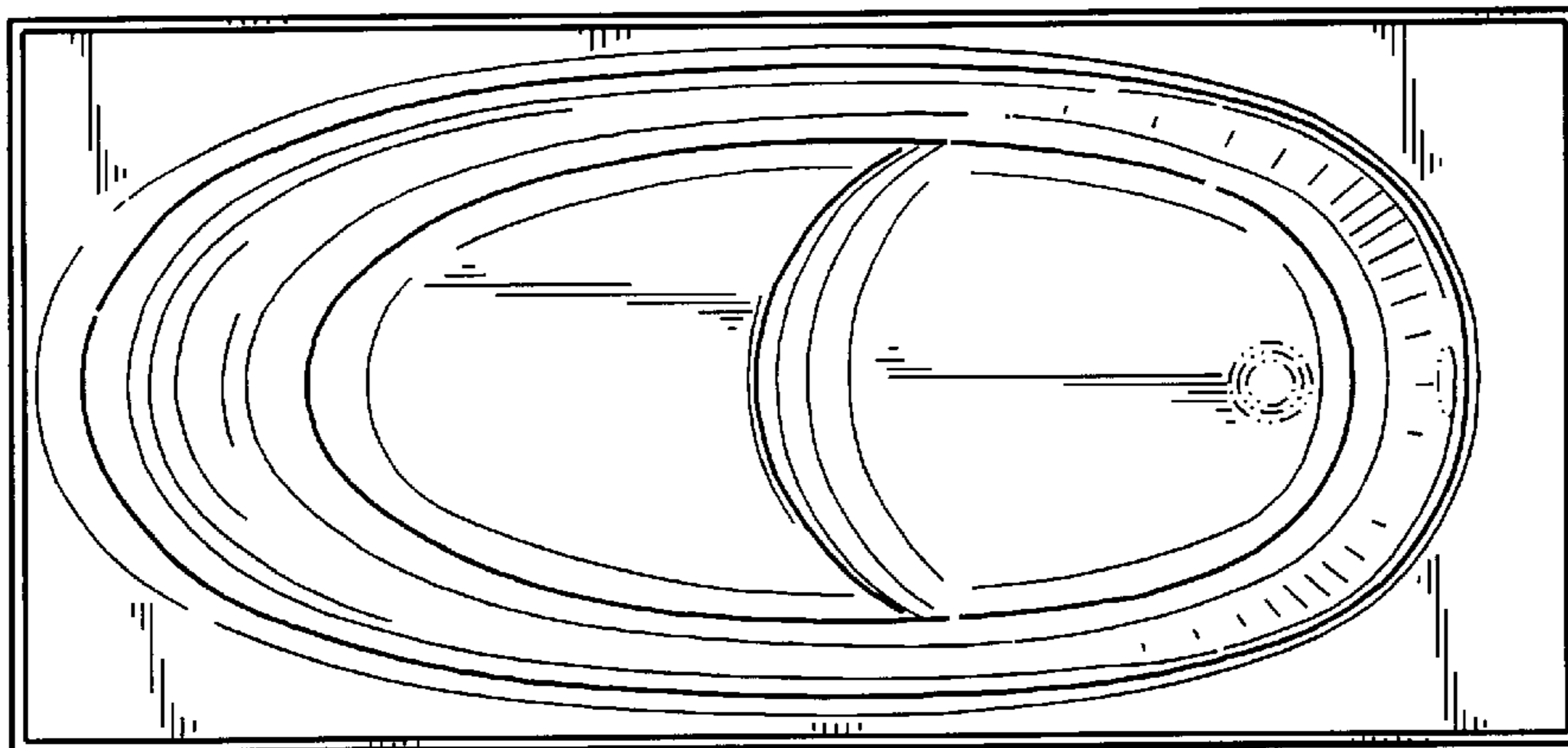


FIG. 6

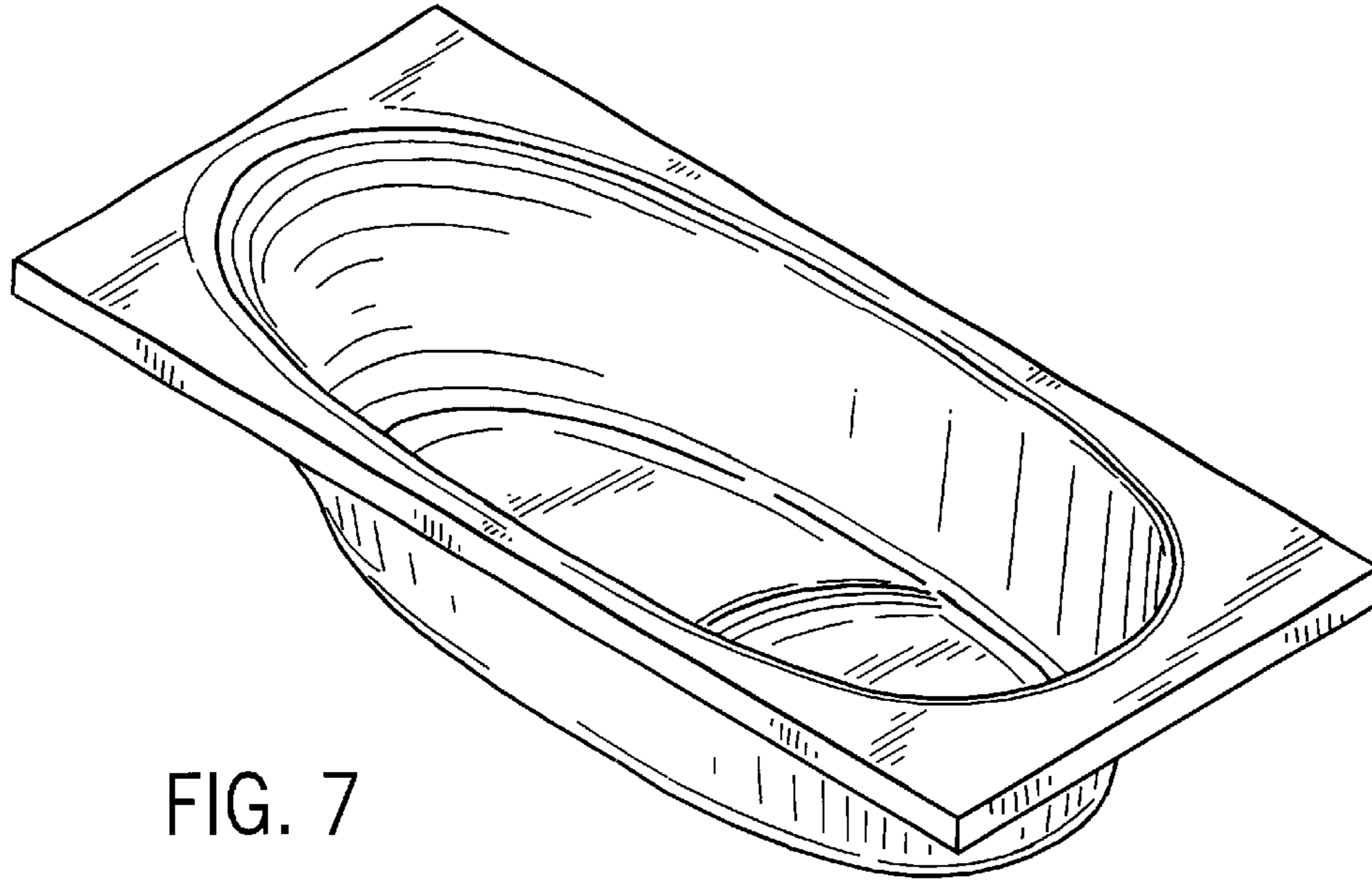


FIG. 7

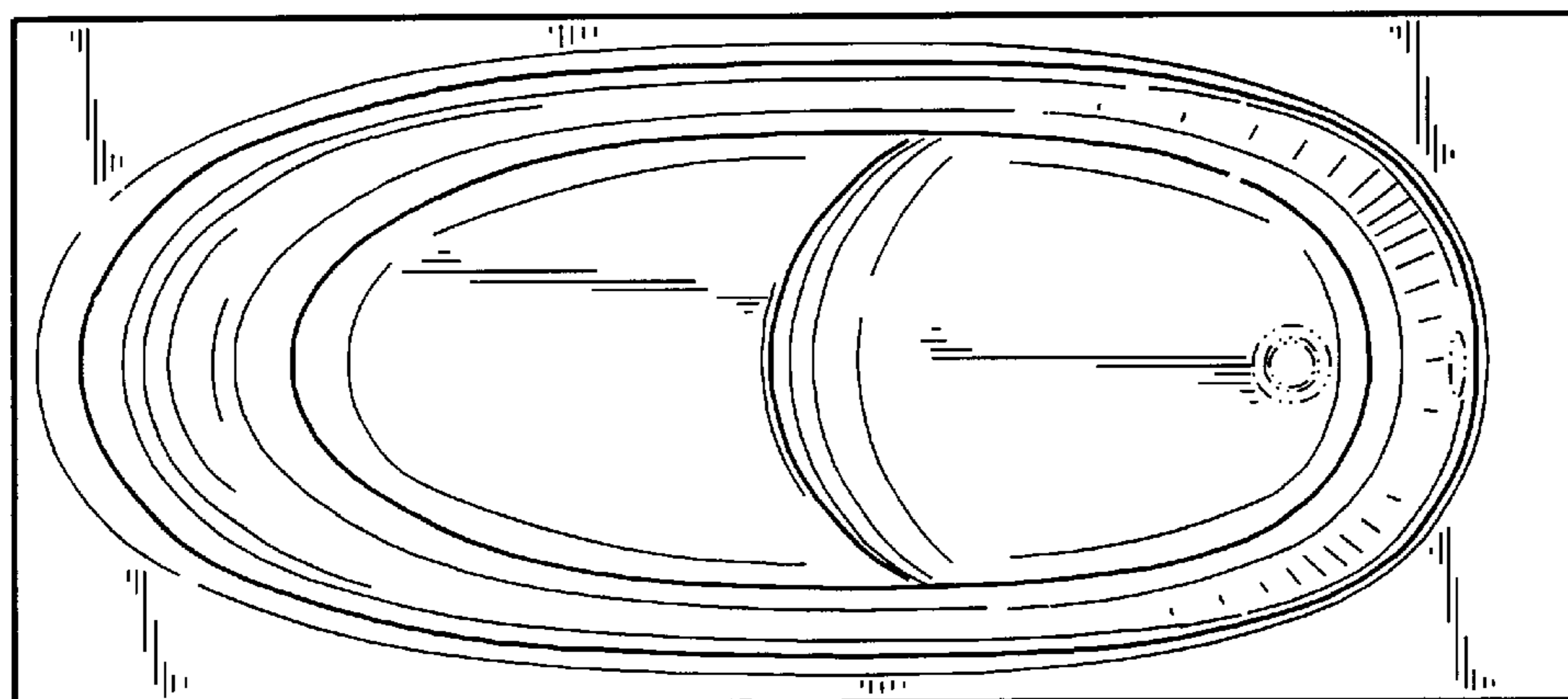


FIG. 8

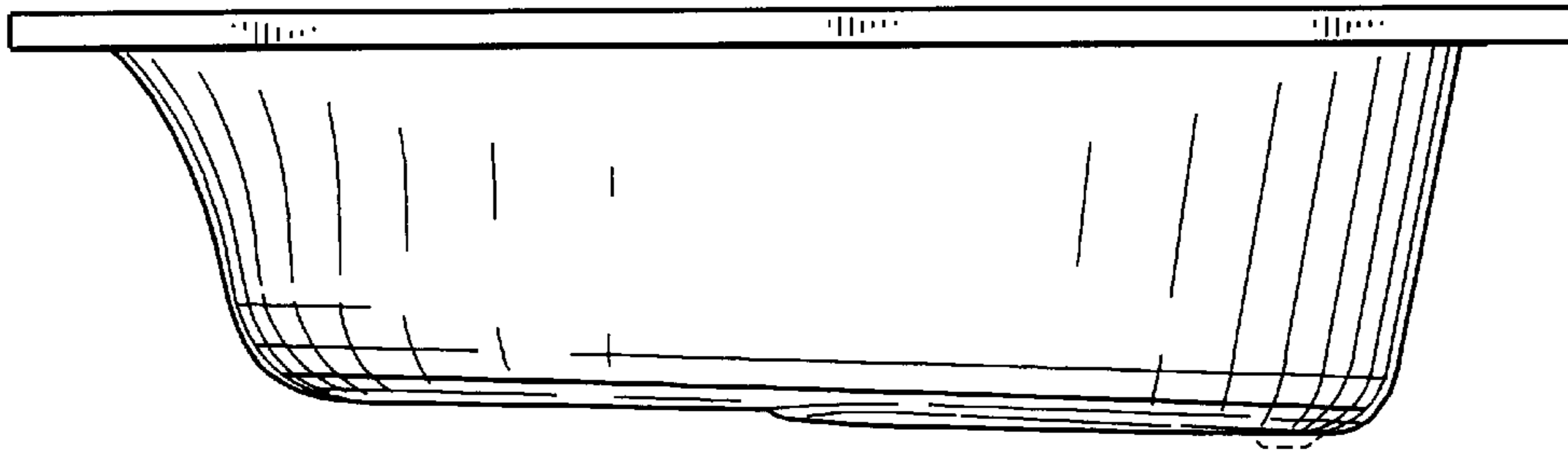


FIG. 9

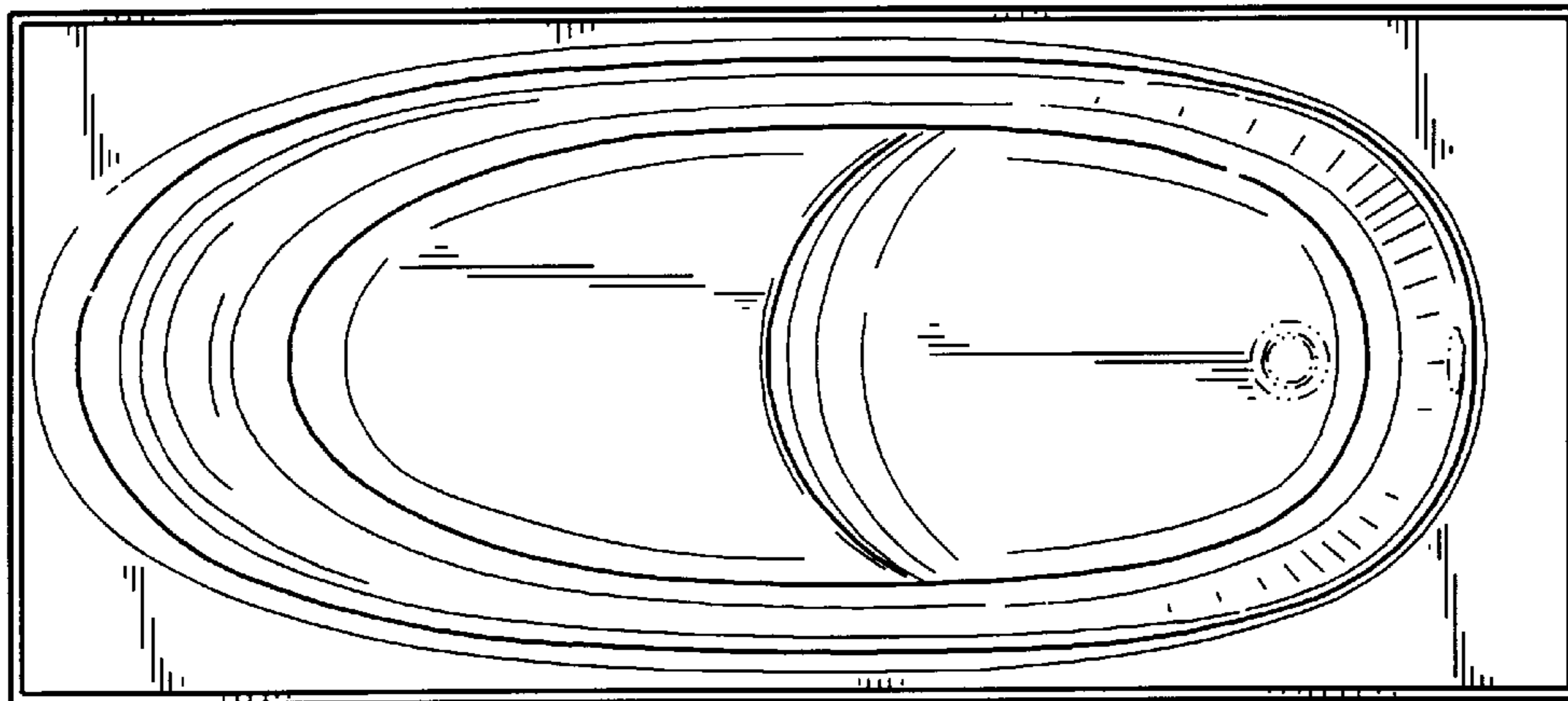


FIG. 10