



US00D525687S

(12) **United States Design Patent**
Kohler, Jr. et al.

(10) **Patent No.:** **US D525,687 S**
(45) **Date of Patent:** **** Jul. 25, 2006**

(54) **TUB FOR BATHING**

(75) Inventors: **Herbert V. Kohler, Jr.**, Kohler, WI (US); **Jeffrey A. Pipe**, Sheboygan, WI (US)

(73) Assignee: **Kohler Co.**, Kohler, WI (US)

(**) Term: **14 Years**

(21) Appl. No.: **29/218,004**

(22) Filed: **Nov. 24, 2004**

(51) **LOC (8) Cl.** **23-02**

(52) **U.S. Cl.** **D23/280.1**

(58) **Field of Classification Search** D23/273, D23/276–277, 280.1–280.3, 303, 306; D24/204–205; 4/538, 584

See application file for complete search history.

(56) **References Cited**

U.S. PATENT DOCUMENTS

D511,819 S * 11/2005 Madson et al. D23/280.1

OTHER PUBLICATIONS

Kohler Design Data, Greek Bath Whirlpool, K-1492-X.
Plain Baths, plain bath dimensions, “Delano” and “Milano”.
LaBette, Unsere Kleinste.

* cited by examiner

Primary Examiner—Robert A Delehanty

(74) *Attorney, Agent, or Firm*—Quarles & Brady LLP

(57) **CLAIM**

The ornamental design for a tub for bathing, as shown and described.

DESCRIPTION

In a preferred embodiment, the nature of this product is as a plumbing fixture in the form of a bathing tub primary useful for washing the human body.

FIG. 1 is a left, top, front perspective view of a tub for bathing embodying our new design;

FIG. 2 is a top plan view thereof;

FIG. 3 is a front elevational view thereof;

FIG. 4 is a rear elevational view thereof;

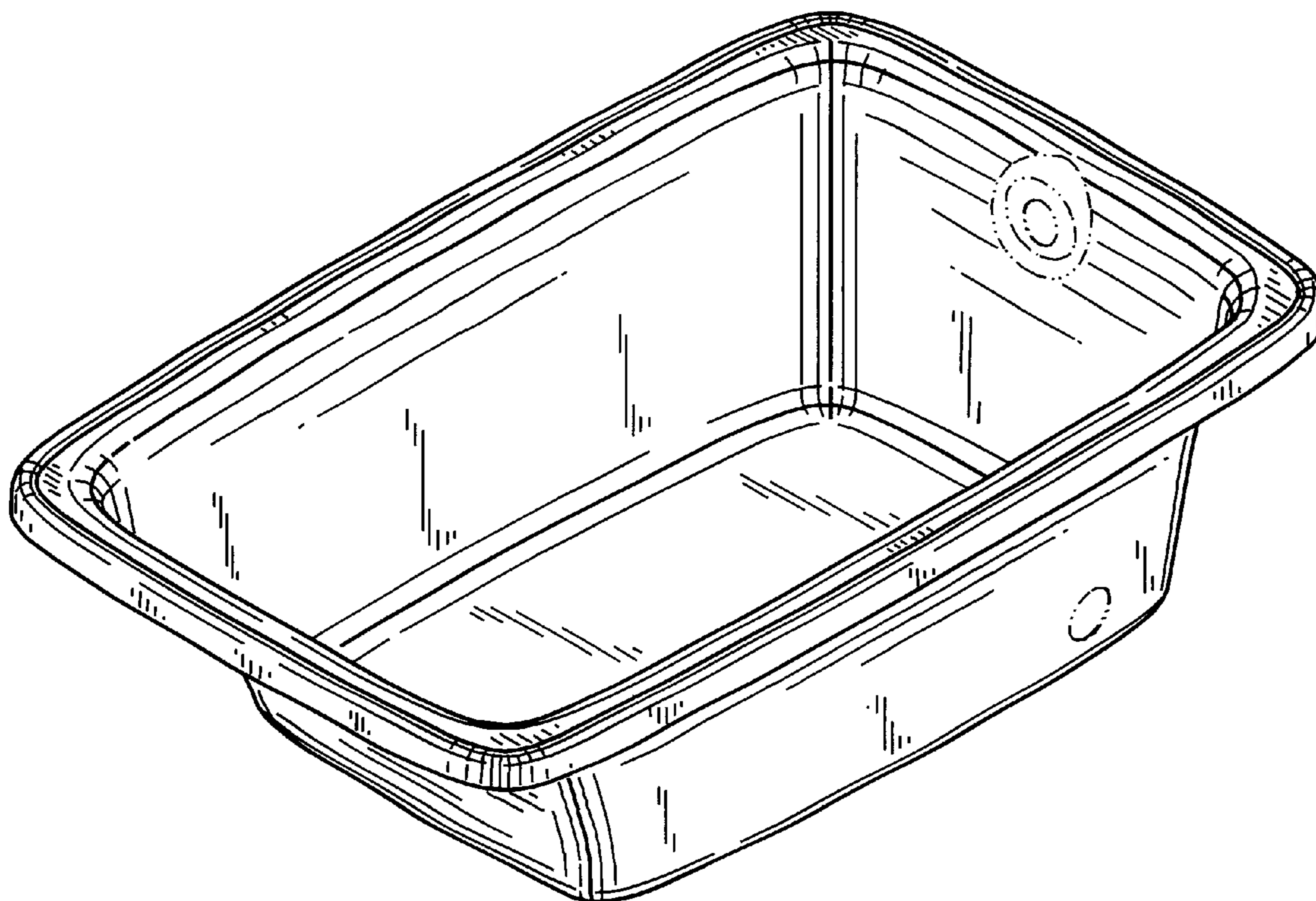
FIG. 5 is a left side elevational view thereof;

FIG. 6 is a right side elevational view thereof; and,

FIG. 7 is a bottom plan view thereof.

The broken line representations of a drain in FIGS. 2–7, a hole in FIGS. 1–3, 6 and 7, and a cove suitable for mounting a control in FIGS. 1–4, 6 and 7 are for the purpose of illustration only, and form no part of the claimed design.

1 Claim, 3 Drawing Sheets



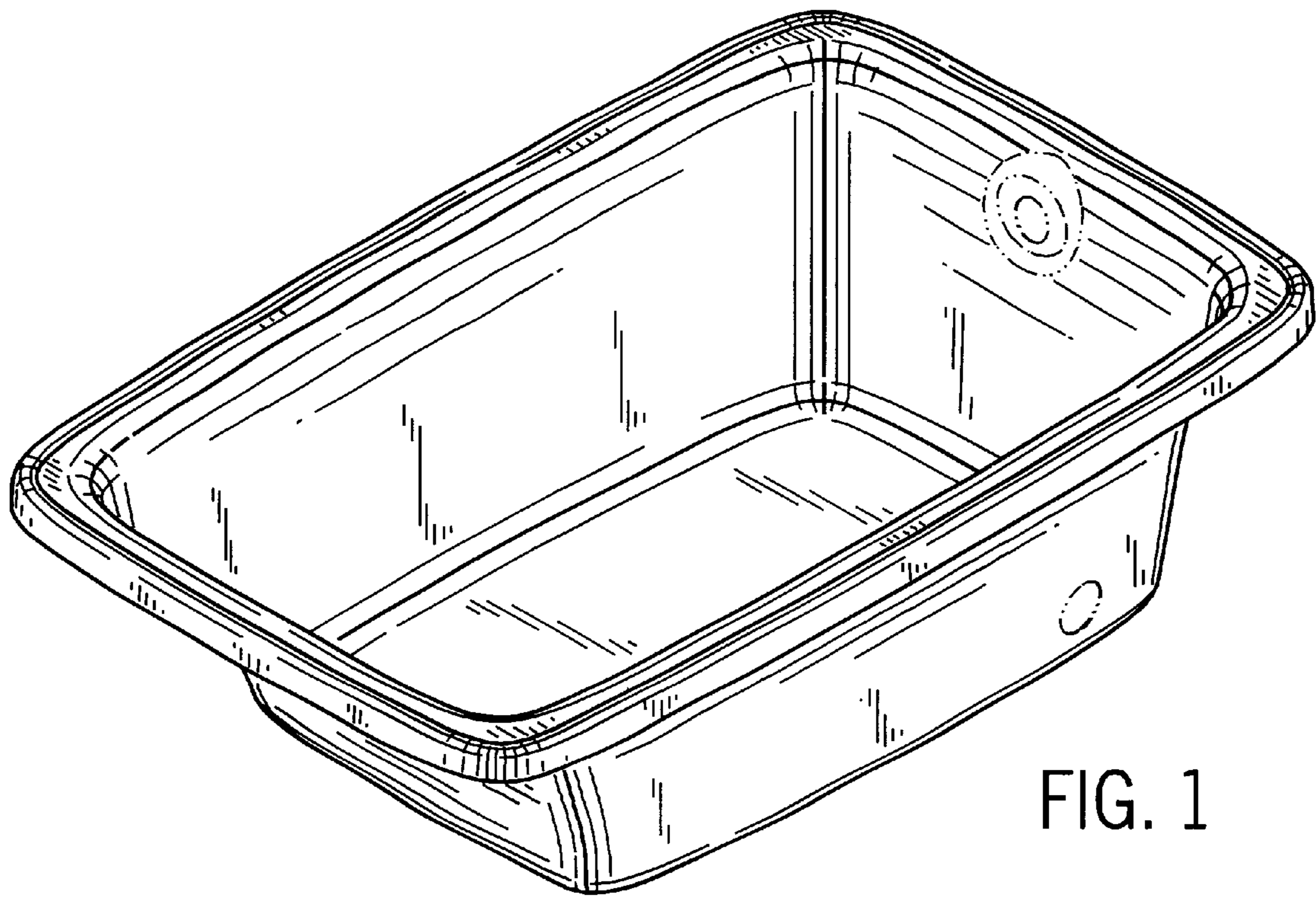


FIG. 1

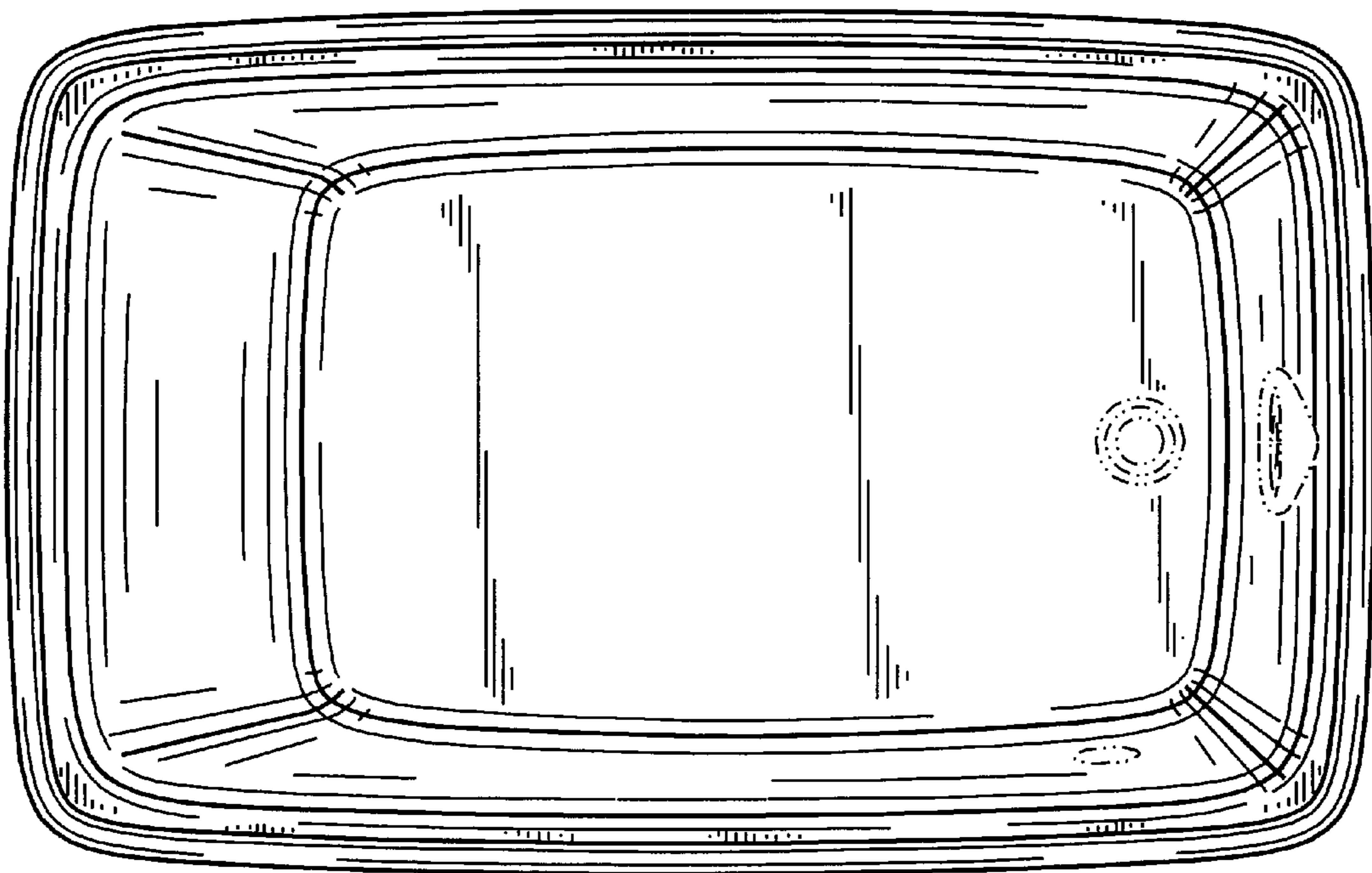


FIG. 2

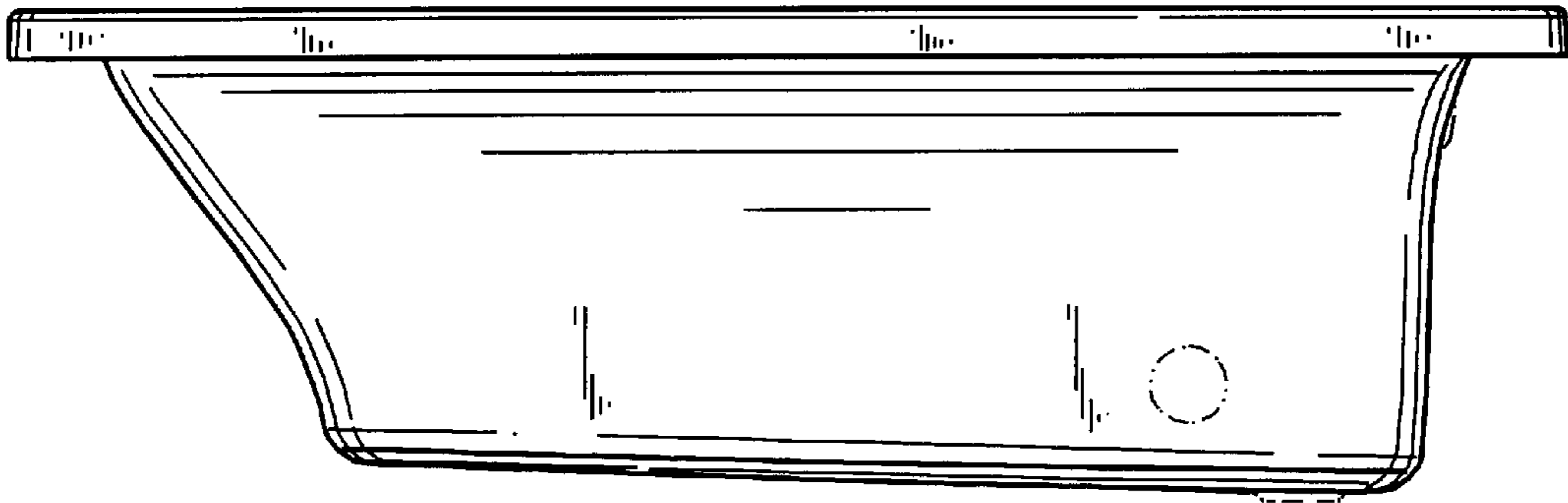


FIG. 3

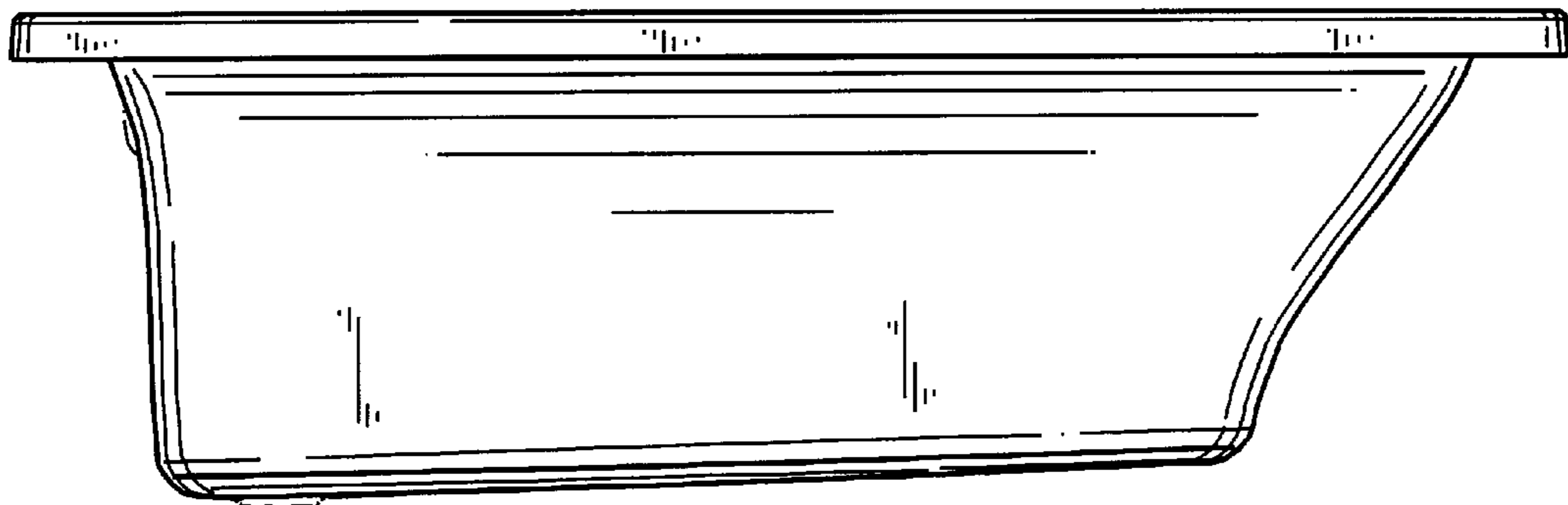


FIG. 4

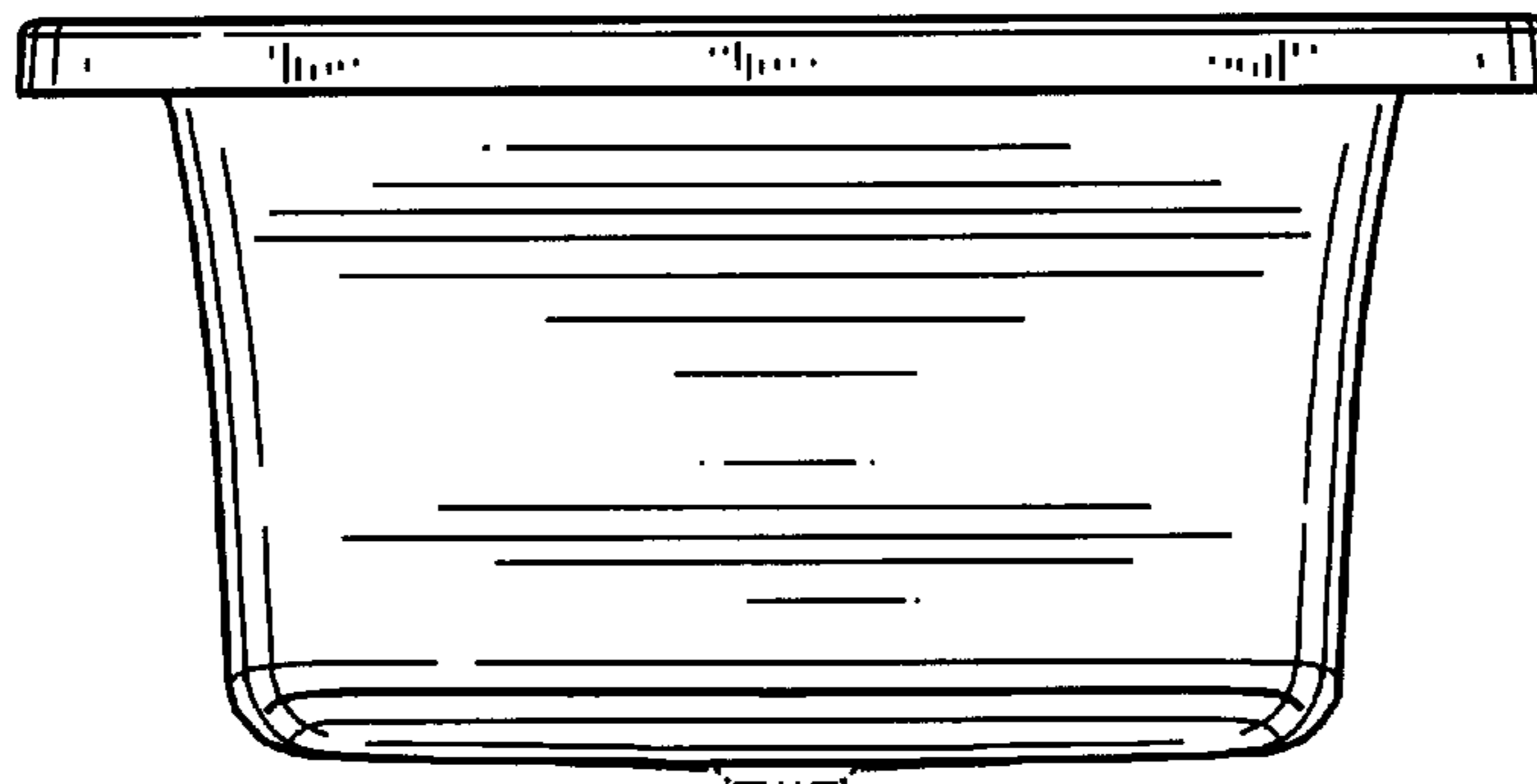


FIG. 5

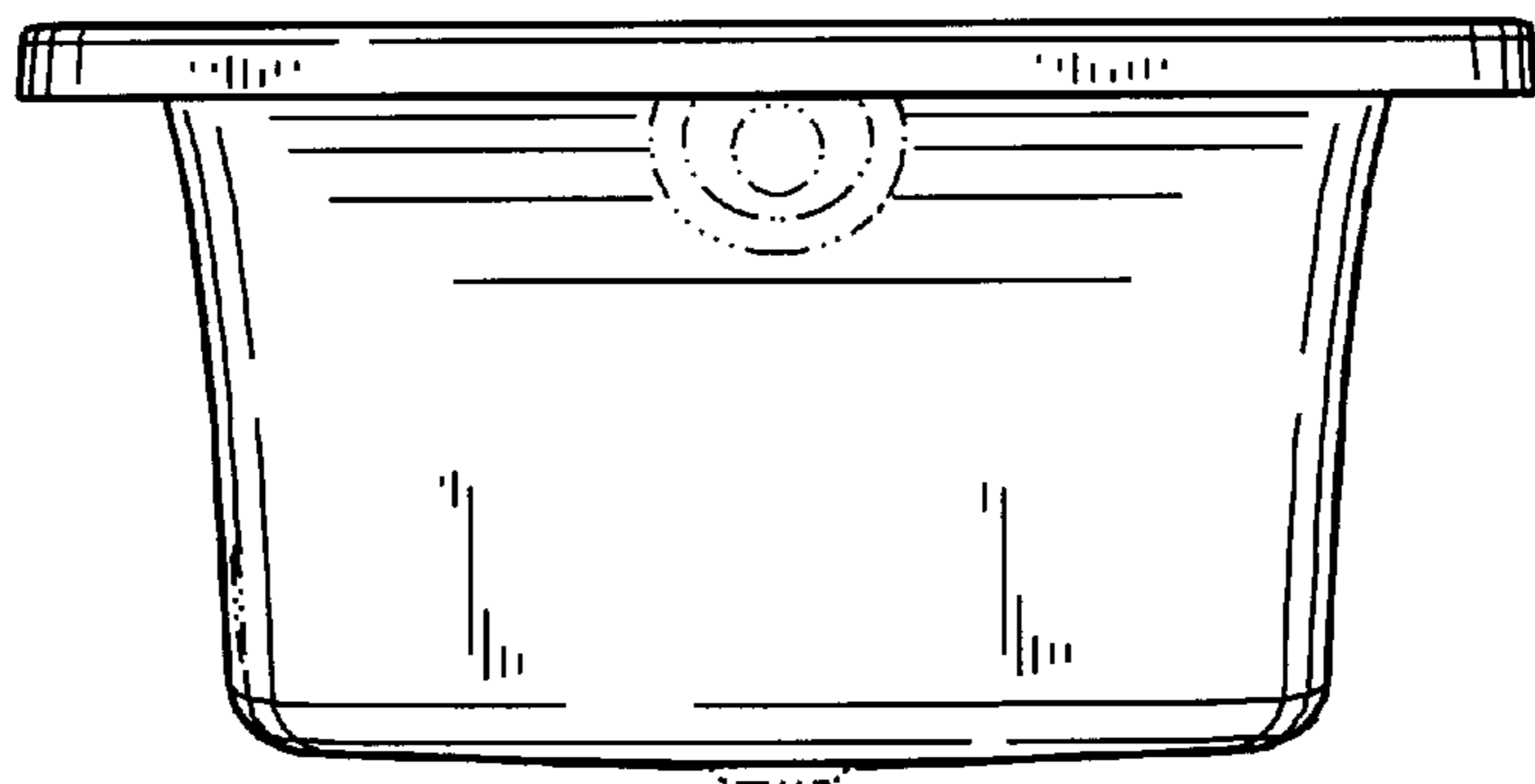


FIG. 6

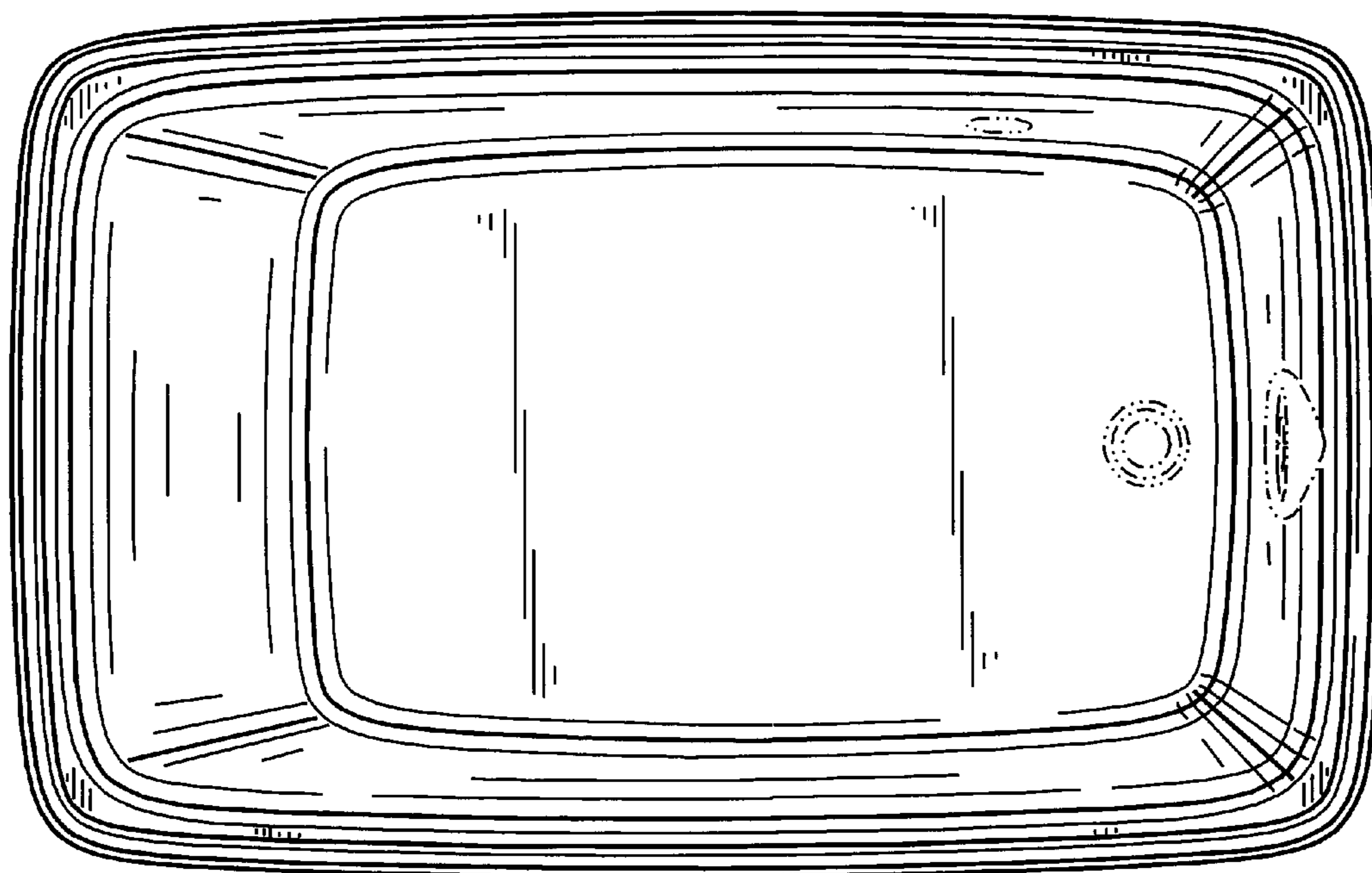


FIG. 7