



US00D525685S

(12) **United States Design Patent**
Walton

(10) **Patent No.:** **US D525,685 S**

(45) **Date of Patent:** **** Jul. 25, 2006**

(54) **ONE WAY VALVE GASKET**

(75) Inventor: **Frank A. Walton**, Ft. Worth, TX (US)

(73) Assignee: **Dosmatic USA, Inc.**, Carrollton, TX (US)

(**) Term: **14 Years**

(21) Appl. No.: **29/227,176**

(22) Filed: **Apr. 7, 2005**

(51) **LOC (8) Cl.** **23-01**

(52) **U.S. Cl.** **D23/269**

(58) **Field of Classification Search** D23/269,
D23/262, 393; 285/370, 232, 95; 277/910;
137/513.3

See application file for complete search history.

(56) **References Cited**

U.S. PATENT DOCUMENTS

D330,073 S * 10/1992 Valls D23/269

D342,567 S * 12/1993 Boen D23/269

D362,902 S * 10/1995 Reiber D23/269

D391,628 S * 3/1998 Carwile D23/269

D435,090 S * 12/2000 Stout, Jr. D23/269

* cited by examiner

Primary Examiner—Robin Webster

(74) *Attorney, Agent, or Firm*—Scott L. Harper, Carstens & Cahoon, LLP

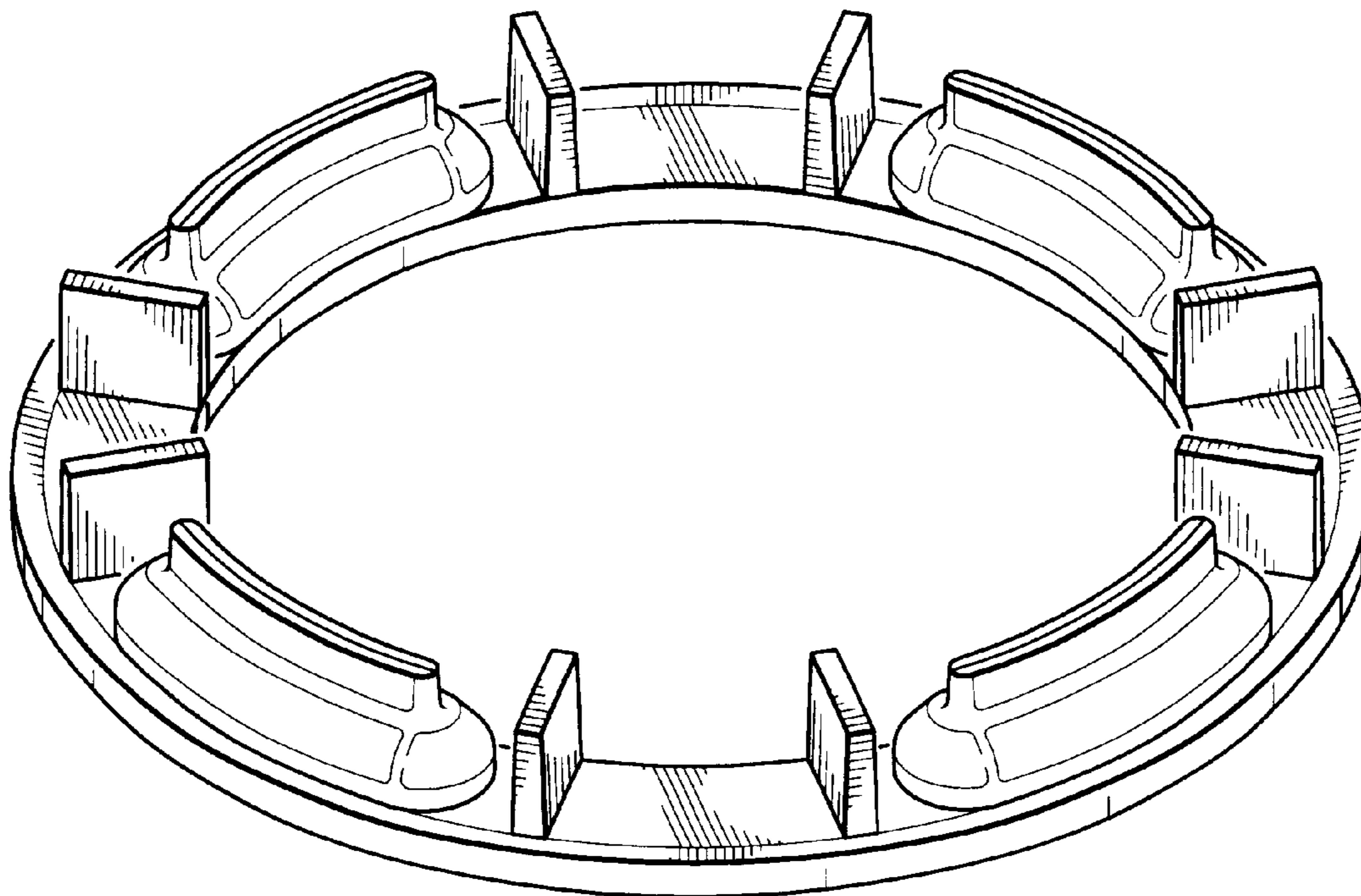
(57) **CLAIM**

The ornamental design for a one way valve gasket, as shown and described.

DESCRIPTION

FIG. 1 is a perspective view of the gasket;
FIG. 2 is a top elevation view of the gasket;
FIG. 3 is a bottom elevation view of the gasket; and,
FIG. 4 is a front elevation view of the gasket, with the back elevation, left elevation and right elevation views identical to the front elevation view.

1 Claim, 2 Drawing Sheets



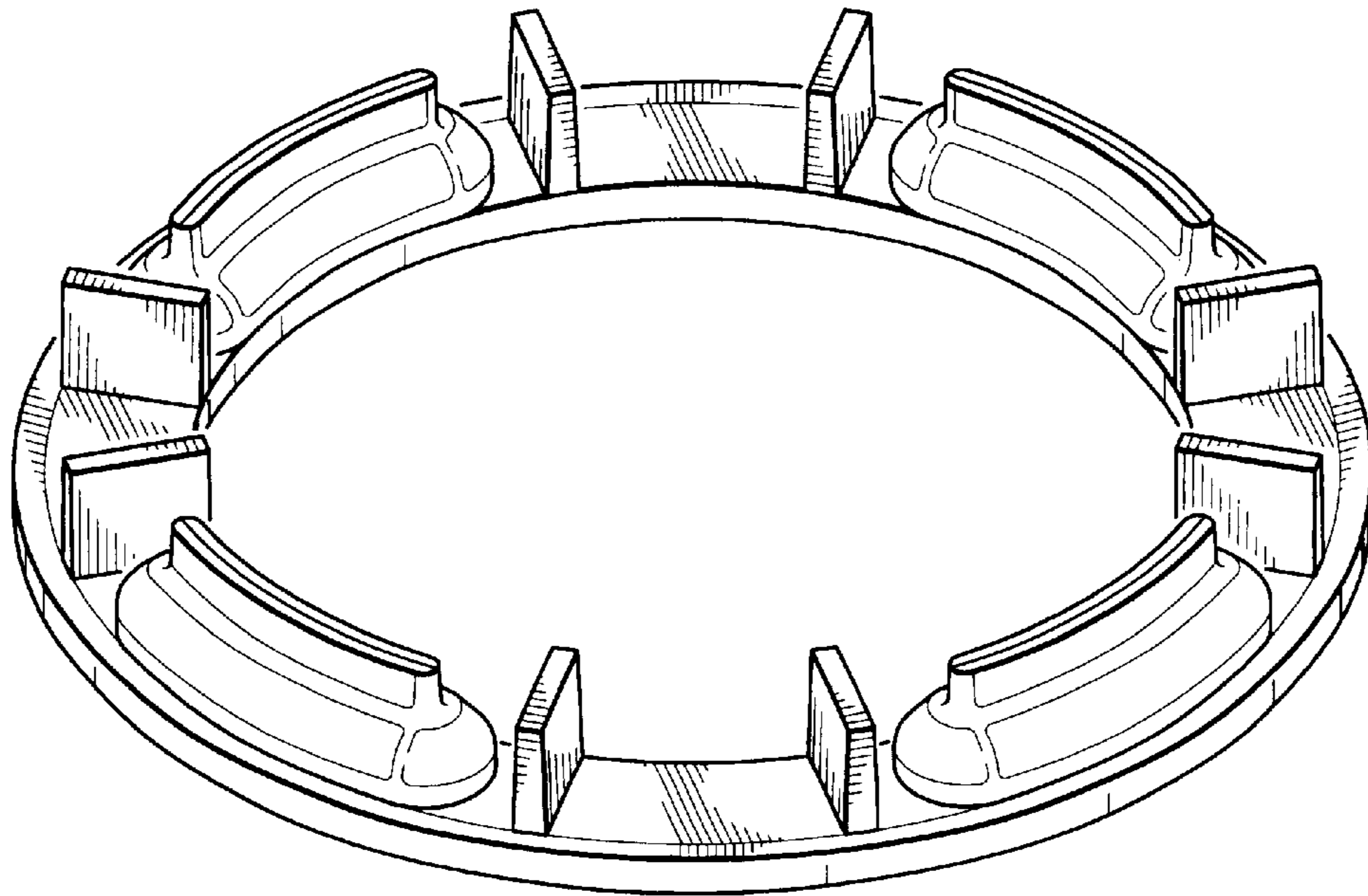


FIG. 1

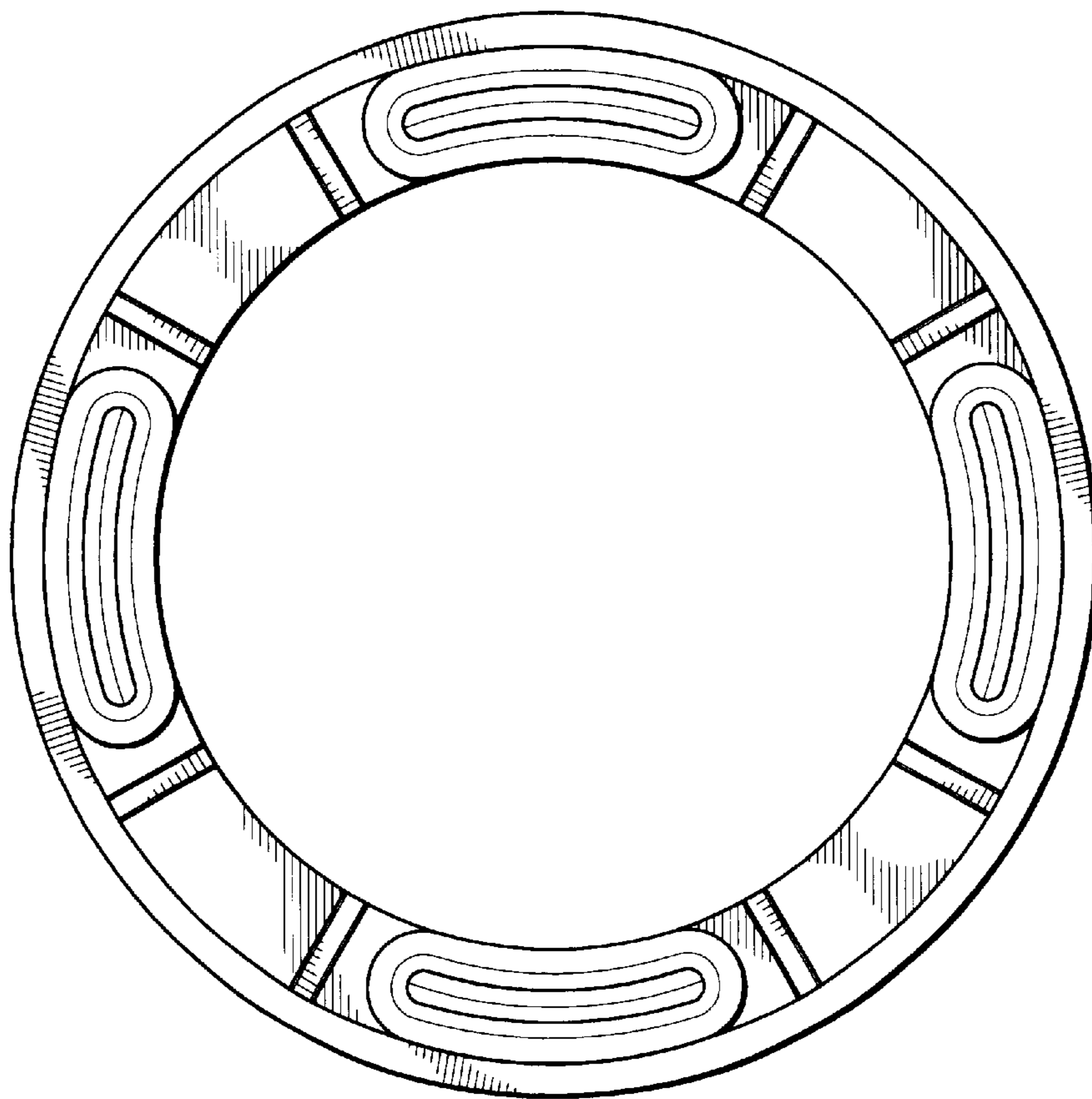


FIG. 2

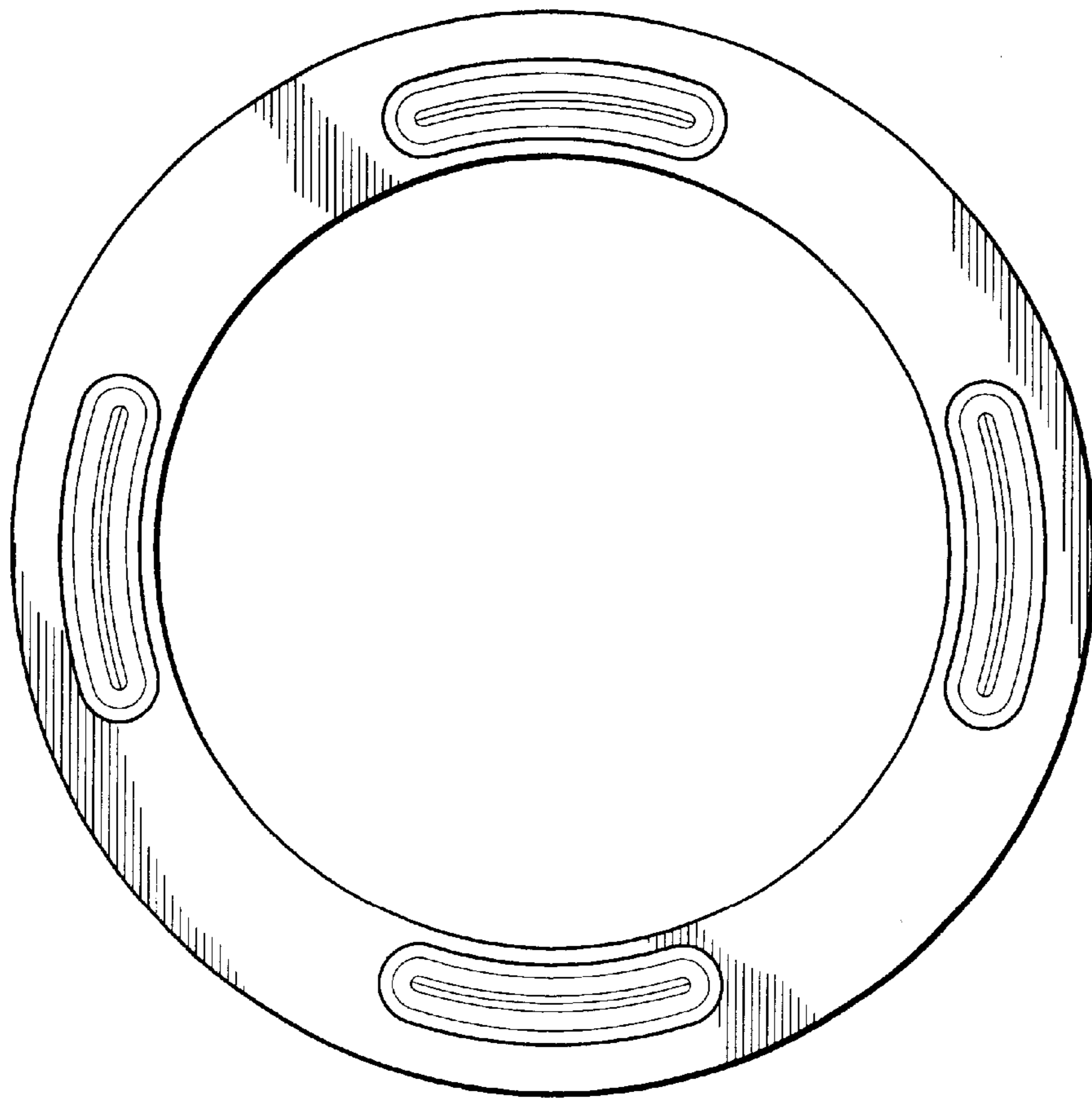


FIG. 3

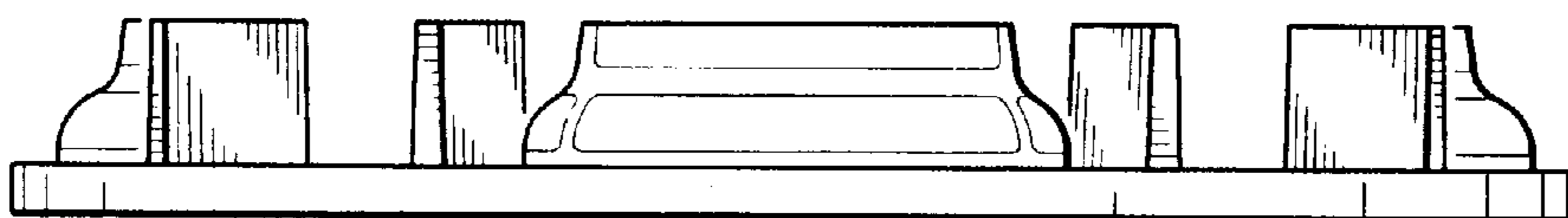


FIG. 4