



US00D525682S

(12) **United States Design Patent**
Gilbert

(10) **Patent No.:** **US D525,682 S**

(45) **Date of Patent:** **** Jul. 25, 2006**

(54) **SPOUT**

(75) Inventor: **Christopher Jon Gilbert**, Moreland Hills, OH (US)

(73) Assignee: **Moen Incorporated**, North Olmsted, OH (US)

(**) Term: **14 Years**

(21) Appl. No.: **29/221,183**

(22) Filed: **Jan. 12, 2005**

(51) **LOC (8) Cl.** **23-01**

(52) **U.S. Cl.** **D23/255**

(58) **Field of Classification Search** D23/238-257;
4/675-678; 137/801

See application file for complete search history.

D373,619 S 9/1996 Doughty et al.
D375,542 S 11/1996 Doughty et al.
D377,517 S 1/1997 Doughty et al.
D391,351 S 2/1998 Ko
D395,812 S 7/1998 Doughty et al.
D405,162 S 2/1999 Doughty et al.
D406,876 S 3/1999 Ko
D429,521 S 8/2000 Doughty et al.
D430,269 S 8/2000 Lord
D430,270 S 8/2000 Lord
D430,271 S 8/2000 Lord
D430,648 S 9/2000 Lord
D430,920 S 9/2000 Lord
D430,924 S 9/2000 Wei et al.
D431,281 S 9/2000 Lord
D431,282 S 9/2000 Lord
D431,630 S 10/2000 Lord
D432,631 S 10/2000 Lord
D434,122 S 11/2000 Meda
D434,472 S 11/2000 Lord
D438,602 S 3/2001 Milrud et al.
D439,953 S 4/2001 Lord

(56) **References Cited**

U.S. PATENT DOCUMENTS

D126,074 S 3/1941 Judell et al.
D278,270 S 4/1985 Niemann
D278,271 S 4/1985 Niemann
D290,739 S 7/1987 Hill et al.
D291,117 S 7/1987 Ryan
D291,236 S 8/1987 Delepine
D292,226 S 10/1987 Hill et al.
D300,653 S 4/1989 Paul
D313,646 S 1/1991 Selberg et al.
D318,906 S 8/1991 Spangler
D321,750 S 11/1991 Spangler
D324,259 S 2/1992 Yost
D326,901 S 6/1992 Yost
D329,688 S 9/1992 Yost
D341,875 S 11/1993 Allen et al.
D342,308 S 12/1993 McKeone
D346,013 S 4/1994 McKeone
D349,757 S 8/1994 Altman
D352,547 S 11/1994 McKeone
D360,016 S 7/1995 Hsieh
D363,974 S 11/1995 Doughty et al.
D363,975 S 11/1995 Doughty et al.
D366,517 S 1/1996 Doughty et al.
D368,302 S 3/1996 Doughty et al.

(Continued)

Primary Examiner—Louis S. Zarfes
Assistant Examiner—Gregory Andoll
(74) *Attorney, Agent, or Firm*—Calfee, Halter & Griswold LLP

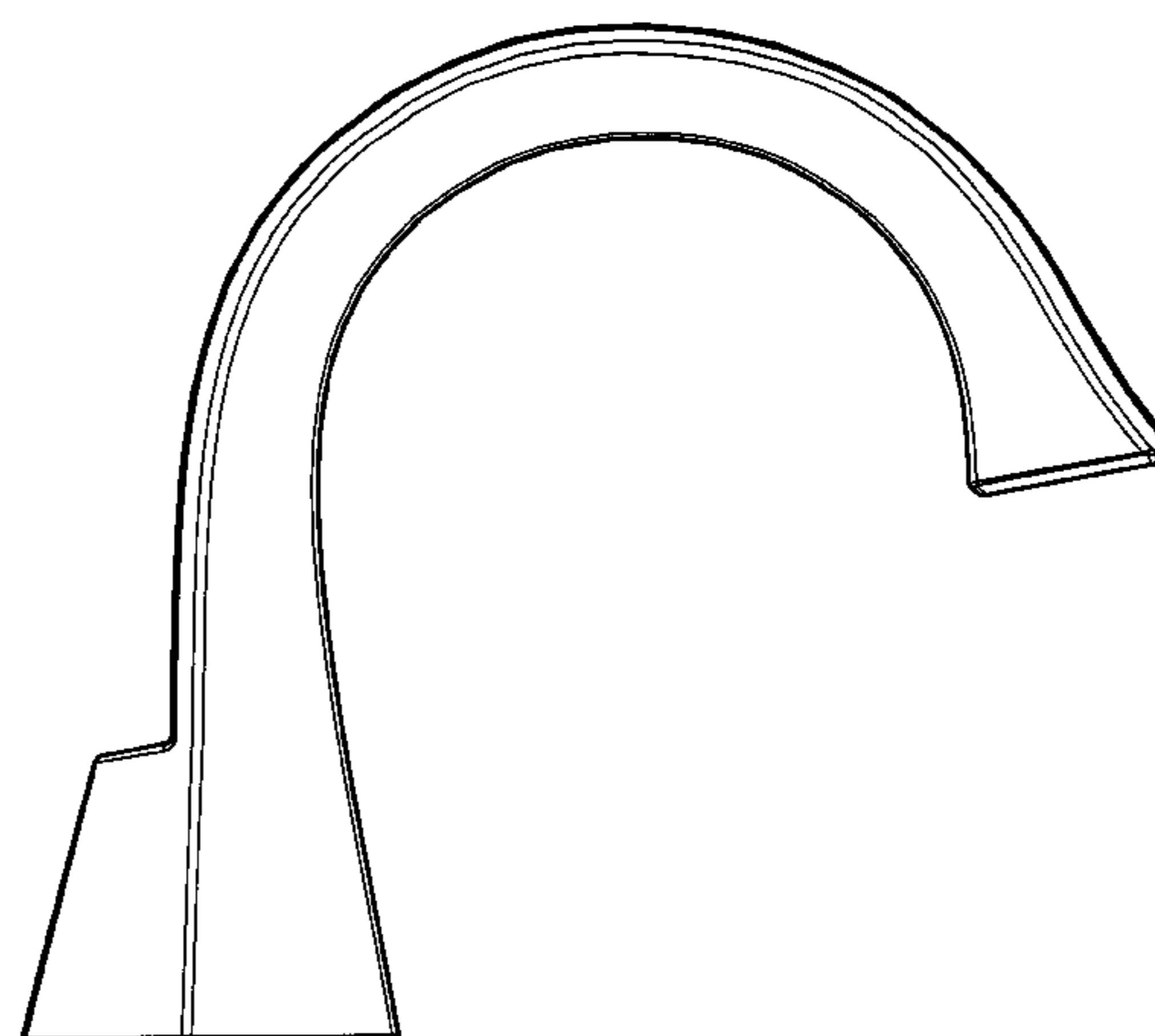
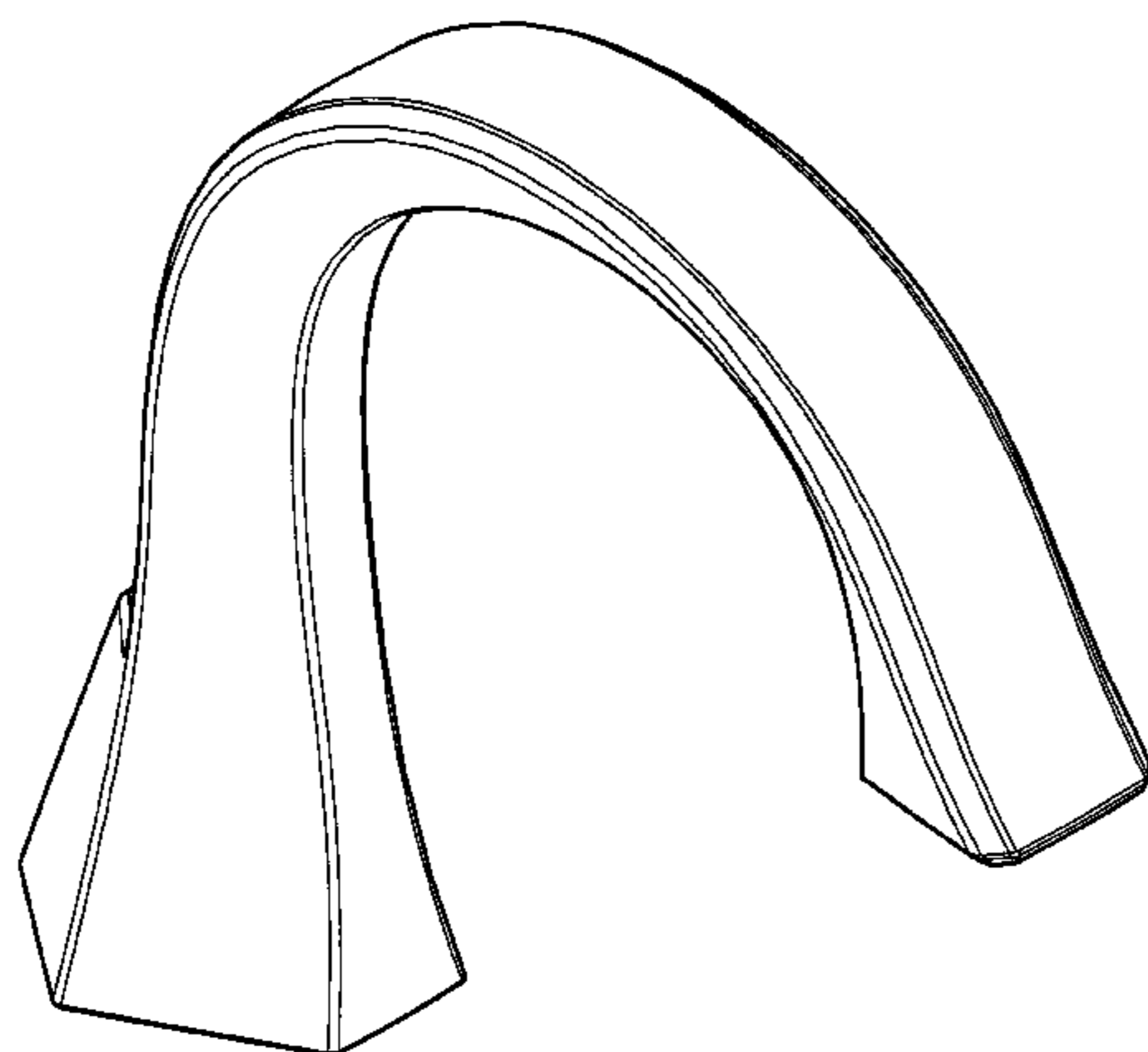
(57) **CLAIM**

The ornamental design for a spout, as shown and described.

DESCRIPTION

FIG. 1 is a perspective view of a spout of the new design; FIG. 2 is a front elevational view of the spout of FIG. 1; FIG. 3 is a rear elevational view of the spout of FIG. 1; FIG. 4 is a left side elevational view of the spout of FIG. 1; FIG. 5 is a right side elevational view of the spout of FIG. 1; FIG. 6 is top plan view of the spout of FIG. 1; and, FIG. 7 is a bottom plan view of the spout of FIG. 1. The portions of the Figures shown in broken lines are not part of the claimed design but are for illustration only.

1 Claim, 5 Drawing Sheets



US D525,682 S

Page 2

U.S. PATENT DOCUMENTS

D440,282 S	4/2001	Lord		D465,558 S	11/2002	Ouyoung	
D445,482 S	7/2001	Lord		D465,829 S	11/2002	Singtoroj	
D448,453 S	9/2001	Lord		D466,197 S	11/2002	Singtoroj	
D454,622 S	3/2002	Isaacs		D466,985 S	12/2002	McKeone	
D455,195 S	4/2002	McKeone		D468,405 S	1/2003	McKeone	
D458,346 S	6/2002	Mullenmeister		D468,410 S	1/2003	Hundley	
D458,347 S	6/2002	Mullenmeister		D469,159 S	1/2003	Marshall	
D458,349 S	6/2002	Mullenmeister		D469,507 S	1/2003	Marshall	
D459,789 S	7/2002	Green et al.		D469,508 S	1/2003	Marshall	
D460,525 S	7/2002	Green et al.		D469,509 S	1/2003	Marshall	
D460,529 S	7/2002	Caplow		D469,510 S	1/2003	Marshall	
D461,530 S	8/2002	Moll		D469,518 S	1/2003	Bates et al.	
D461,879 S	8/2002	Mullenmeister		D474,671 S	5/2003	Singtoroj et al.	
D463,535 S	* 9/2002	Singtoroj	D23/255	D476,064 S	6/2003	Smith	
D464,120 S	10/2002	Ramli		D492,981 S	* 7/2004	Bloomstrom	D23/255
D465,011 S	10/2002	Singtoroj et al.					

* cited by examiner

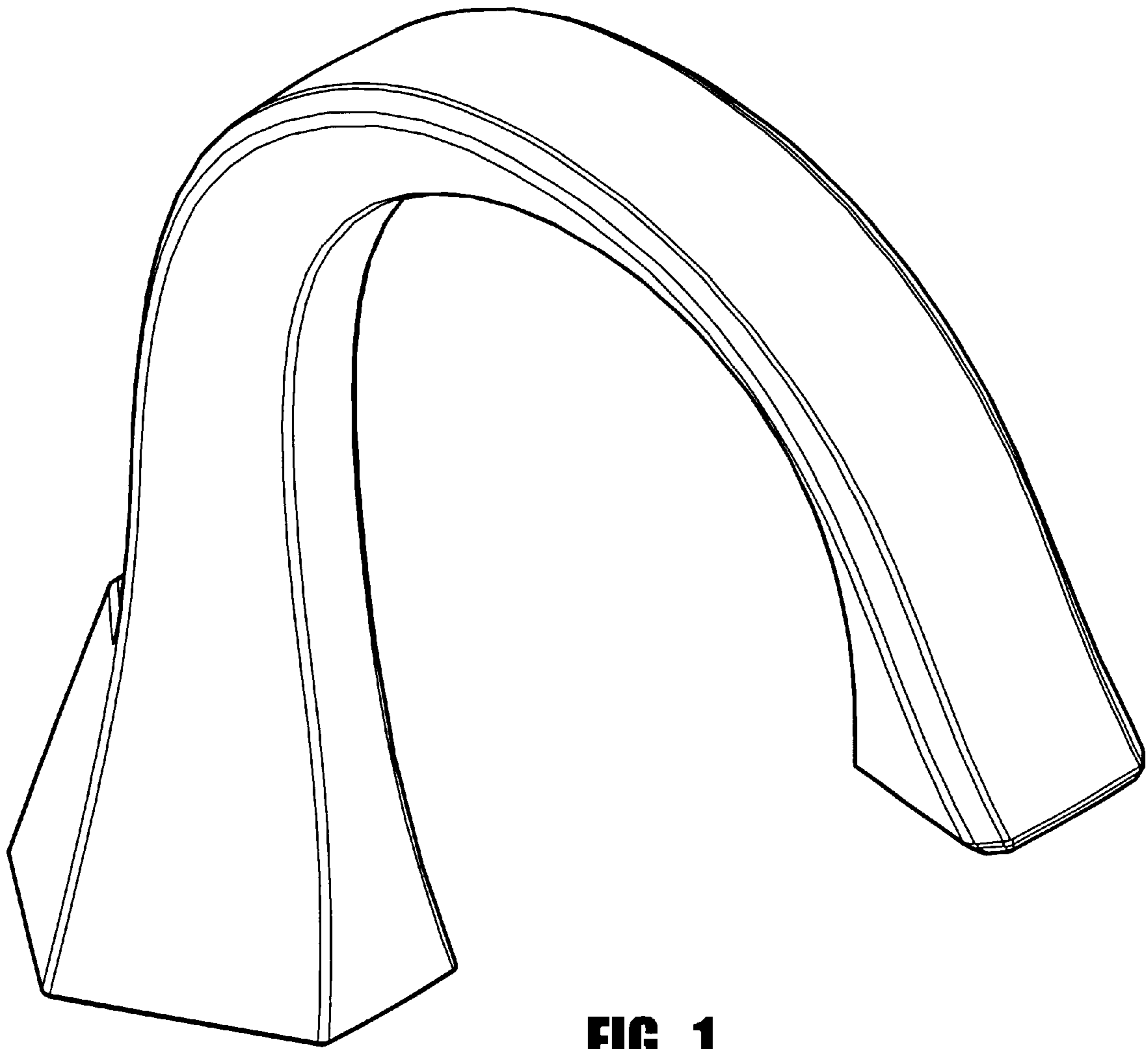


FIG. 1

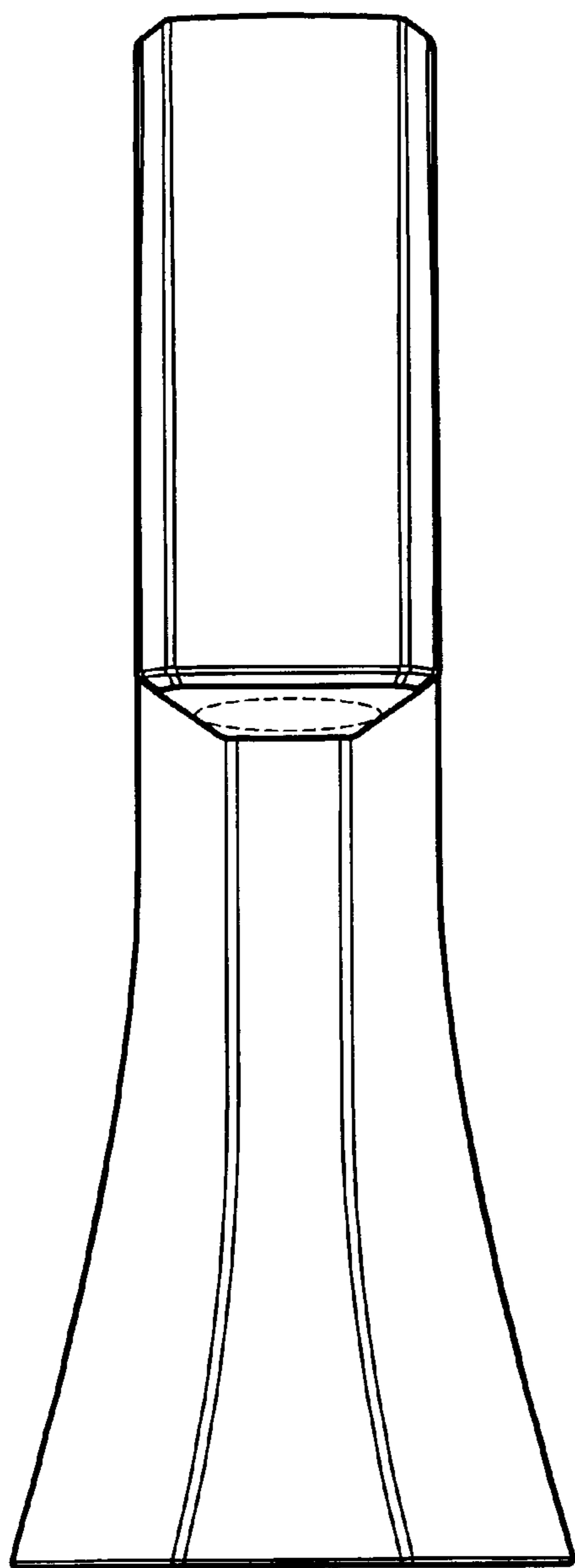


FIG. 2

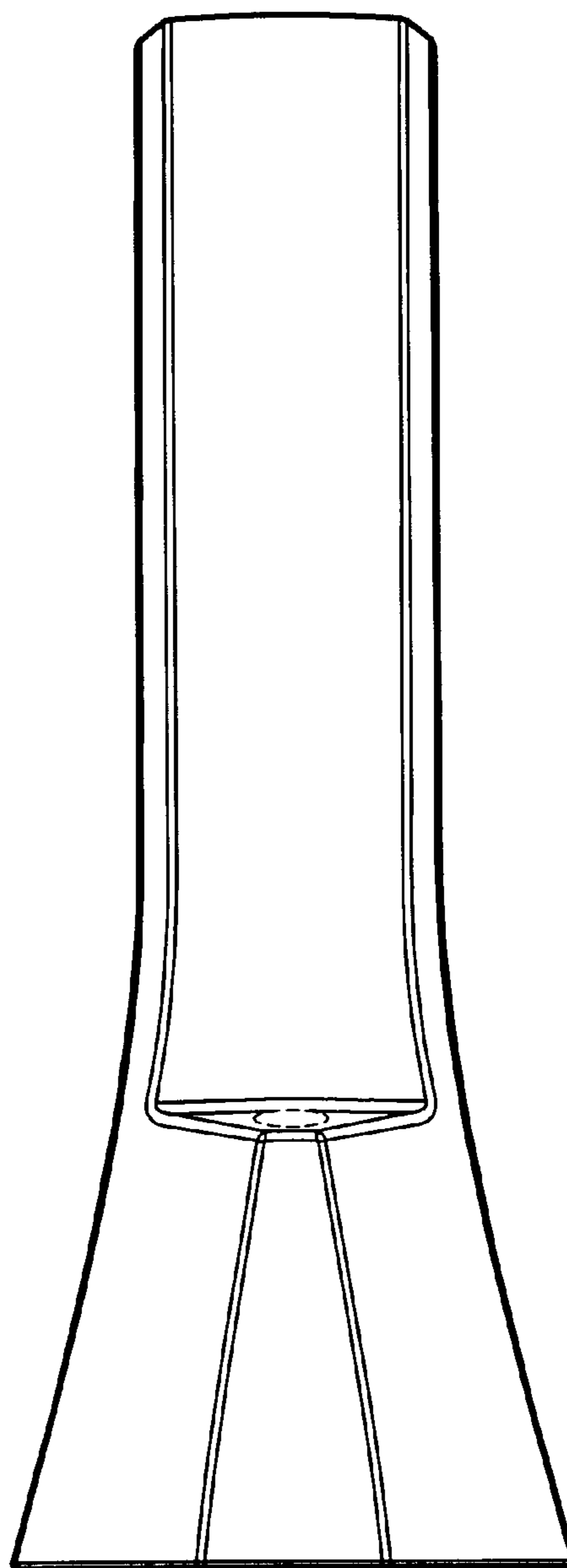


FIG. 3

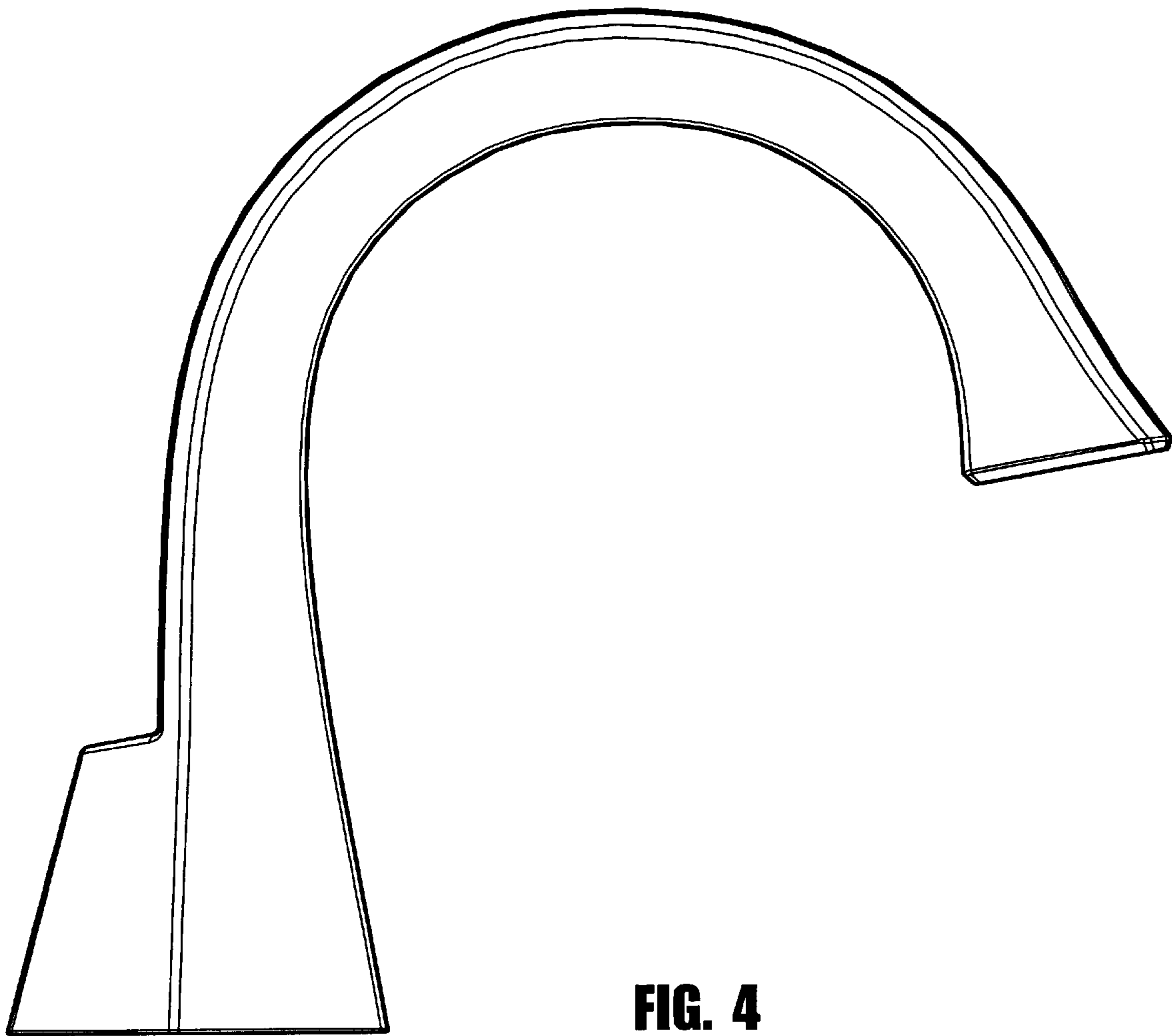


FIG. 4

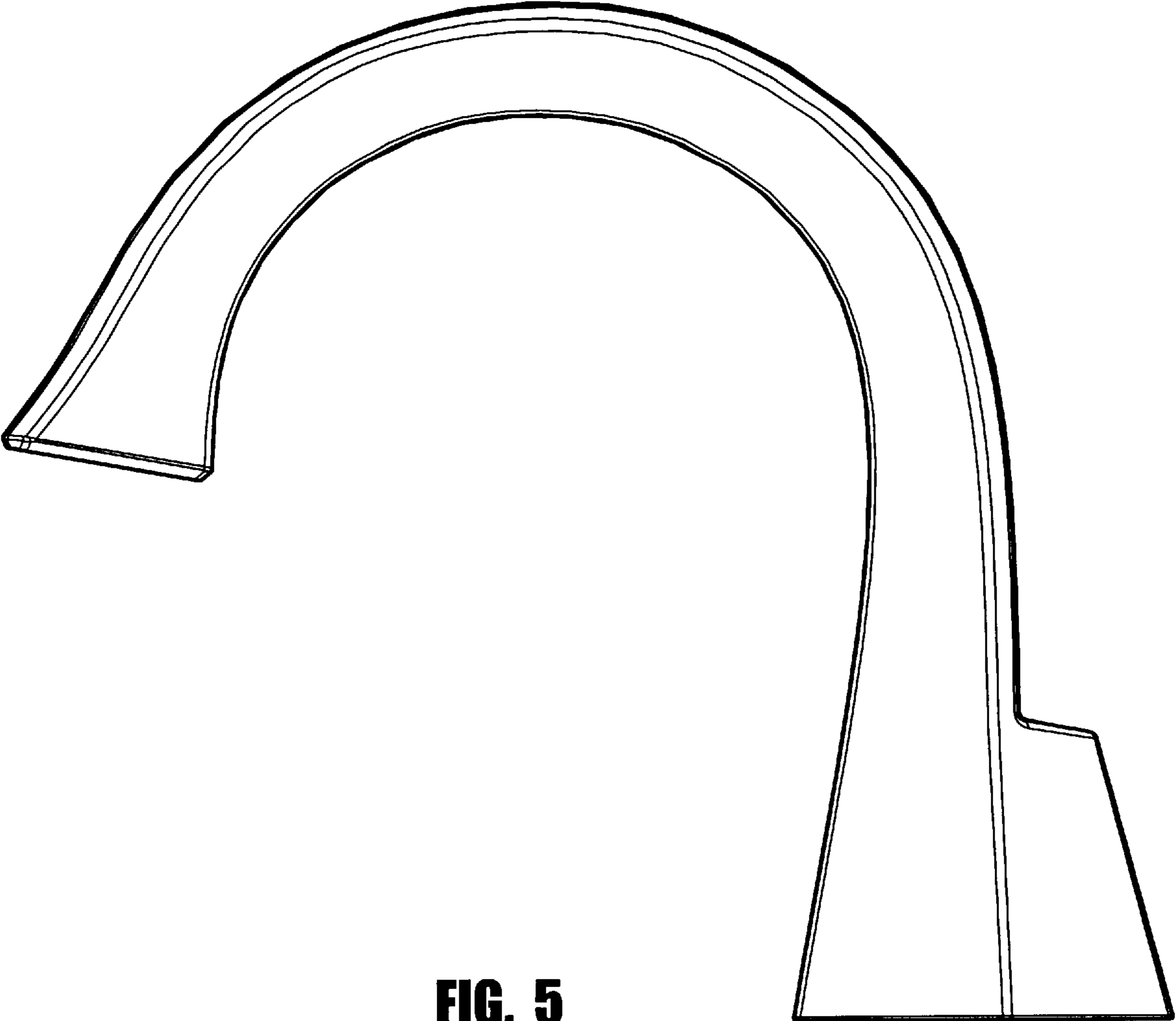


FIG. 5

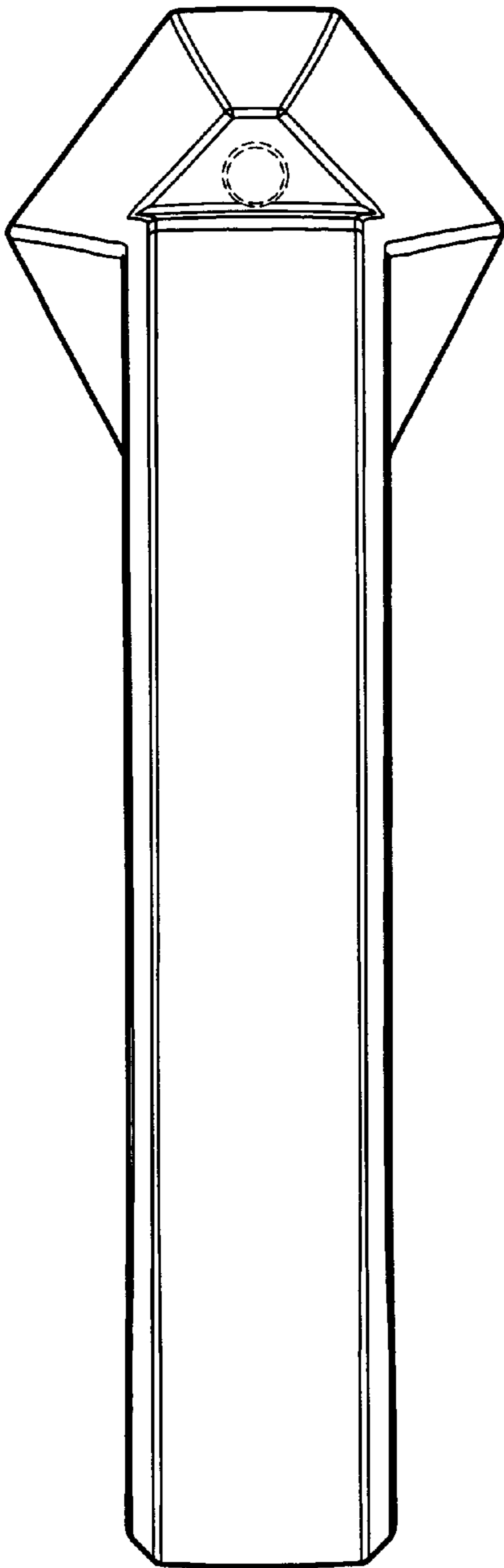


FIG. 6

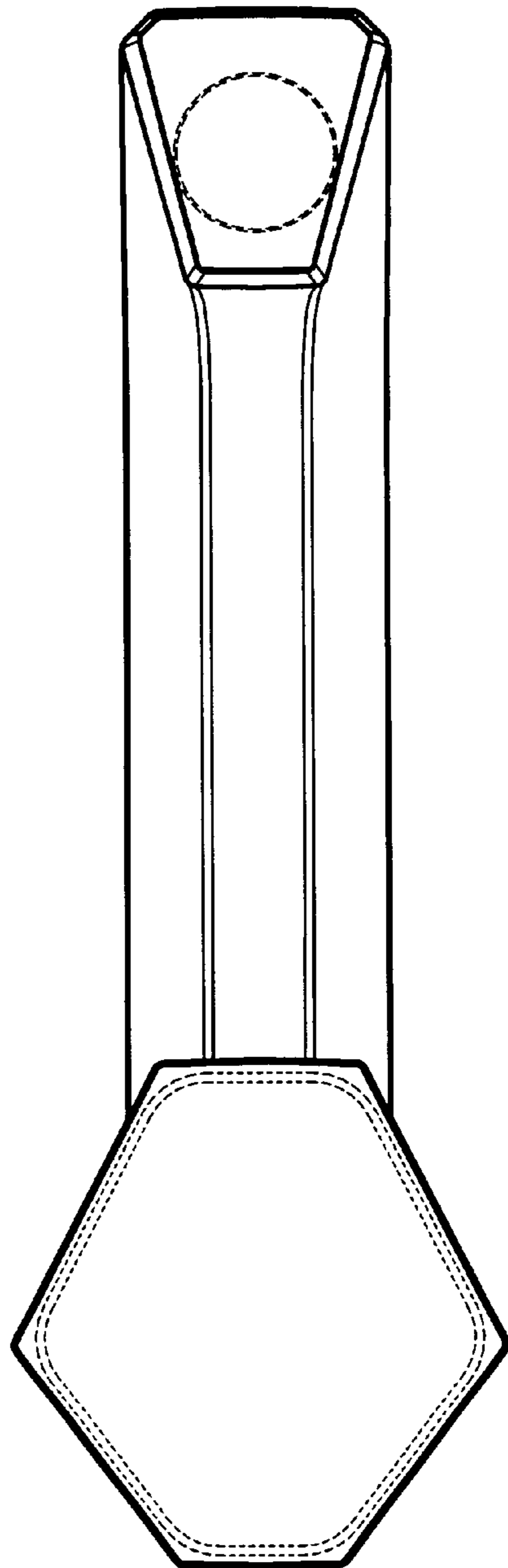


FIG. 7