



US00D525681S

(12) **United States Design Patent**
Gilbert

(10) **Patent No.:** **US D525,681 S**

(45) **Date of Patent:** **** Jul. 25, 2006**

(54) **SPOUT**

(75) Inventor: **Christopher Jon Gilbert**, Moreland Hills, OH (US)

(73) Assignee: **Moen Incorporated**, North Olmsted, OH (US)

(**) Term: **14 Years**

(21) Appl. No.: **29/221,157**

(22) Filed: **Jan. 12, 2005**

(51) **LOC (8) Cl.** **23-01**

(52) **U.S. Cl.** **D23/255**

(58) **Field of Classification Search** D23/238-257;
4/675-678; 137/801

See application file for complete search history.

(56) **References Cited**

U.S. PATENT DOCUMENTS

D278,271 S	4/1985	Niemann	
D291,117 S	7/1987	Ryan	
D291,236 S	8/1987	Delepine	
D295,065 S	4/1988	Fabian	
D295,663 S	* 5/1988	Kohler et al.	D23/255
D295,664 S	* 5/1988	Kohler et al.	D23/255
D297,972 S	* 10/1988	Yost	D23/255
D300,653 S	4/1989	Paul	
D313,646 S	1/1991	Selberg et al.	
D324,259 S	2/1992	Yost	
D326,901 S	6/1992	Yost	
D329,688 S	9/1992	Yost	
D342,308 S	12/1993	McKeone	

D360,016 S	7/1995	Hsieh
D373,619 S	9/1996	Doughty et al.
D385,337 S	10/1997	Spurgeon et al.
D461,530 S	8/2002	Moll
D463,535 S	9/2002	Singtoroj
D464,120 S	10/2002	Ramli
D465,011 S	10/2002	Singtoroj et al.
D465,829 S	11/2002	Singtoroj
D466,197 S	11/2002	Singtoroj
D468,810 S	1/2003	Smith
D469,518 S	1/2003	Bates et al.

* cited by examiner

Primary Examiner—Louis S. Zarfes

Assistant Examiner—Gregory Andoll

(74) *Attorney, Agent, or Firm*—Calfee, Halter & Griswold LLP

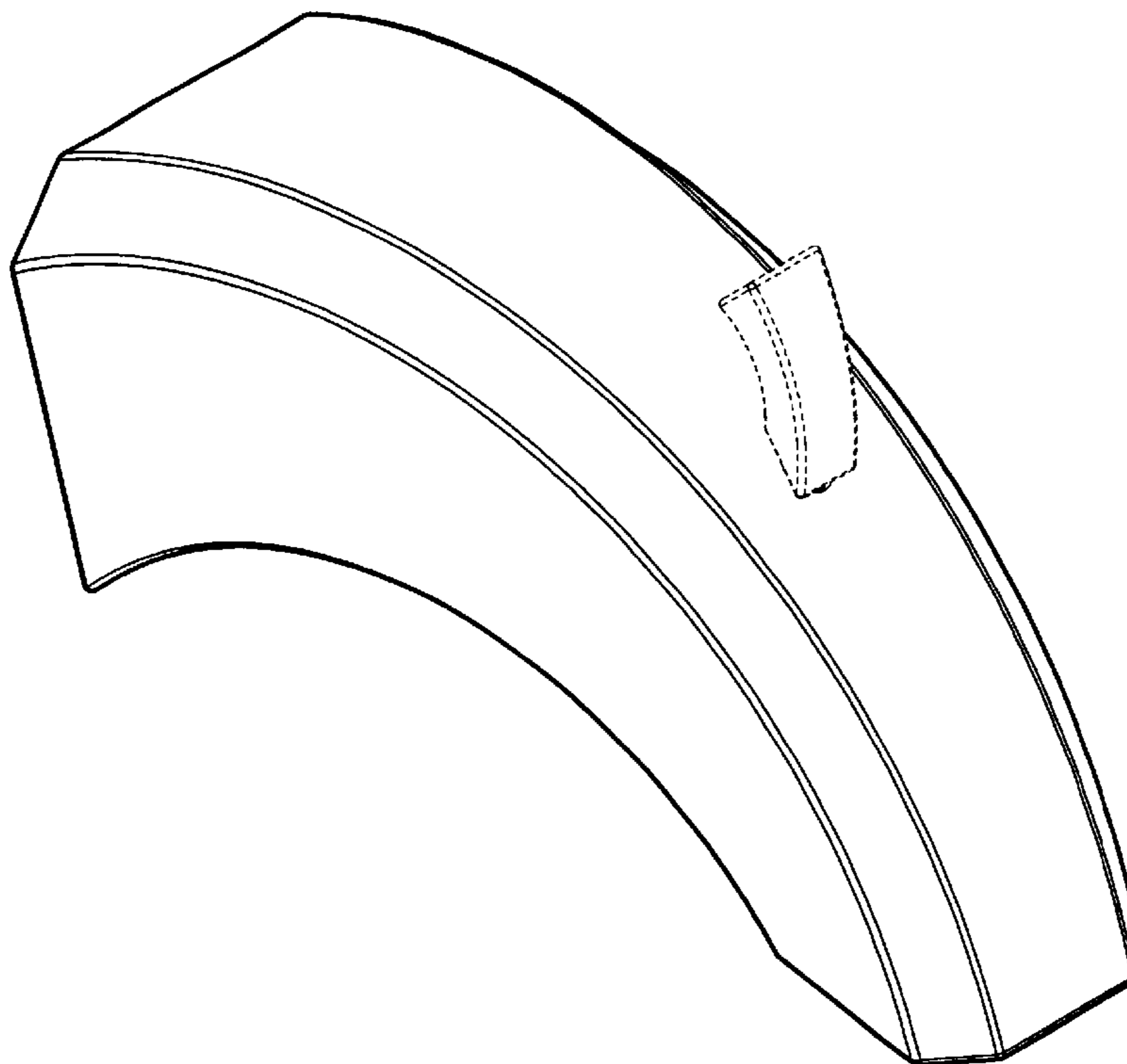
(57) **CLAIM**

The ornamental design for a spout, as shown and described.

DESCRIPTION

FIG. 1 is a perspective view of a spout of the new design; FIG. 2 is a front elevational view of the spout of FIG. 1; FIG. 3 is a rear elevational view of the spout of FIG. 1; FIG. 4 is a left side elevational view of the spout of FIG. 1; FIG. 5 is a right side elevational view of the spout of FIG. 1; FIG. 6 is top plan view of the spout of FIG. 1; and, FIG. 7 is a bottom plan view of the spout of FIG. 1. The portions of the Figures shown in broken lines are not part of the claimed design but are for illustration only.

1 Claim, 3 Drawing Sheets



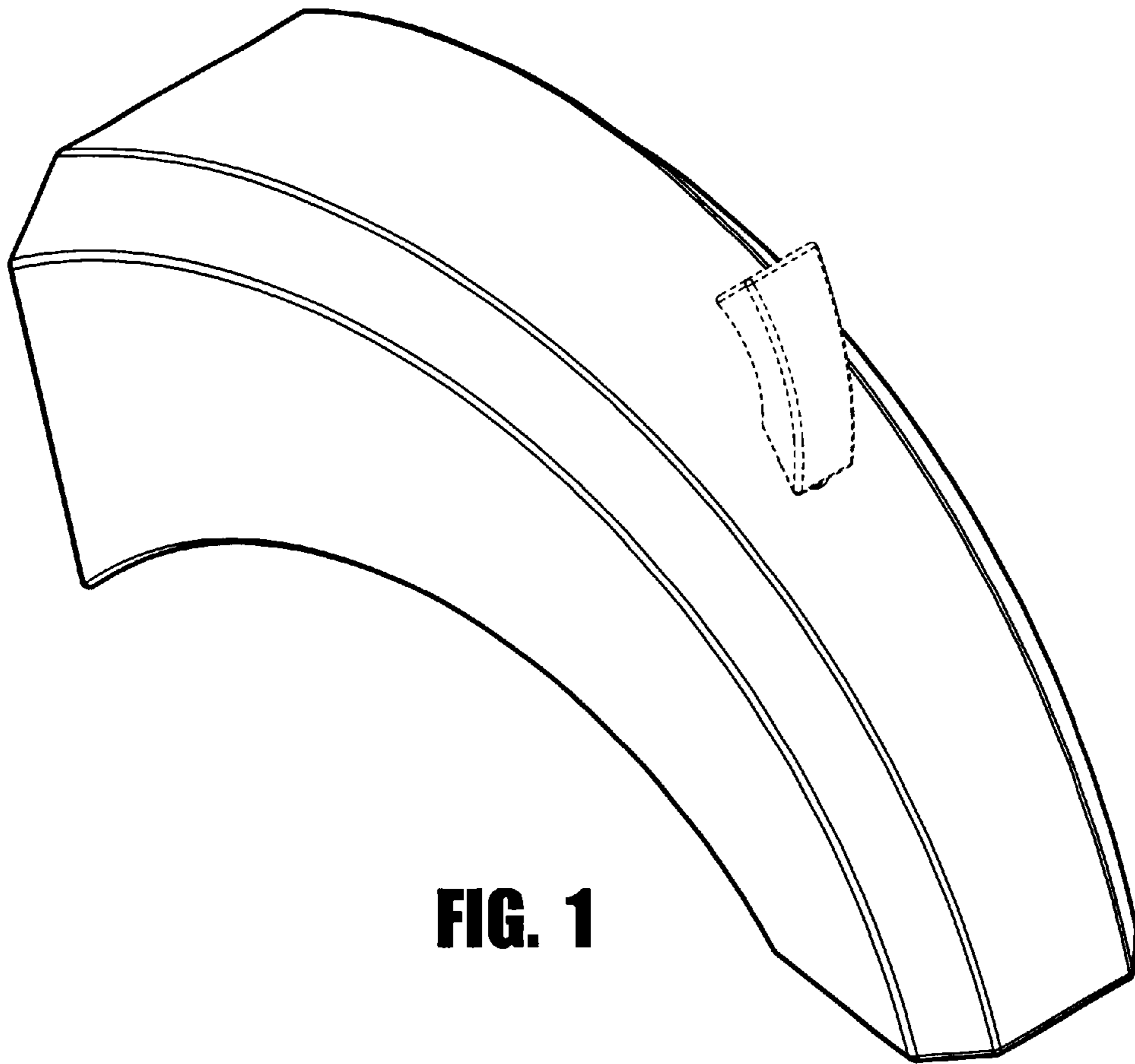


FIG. 1

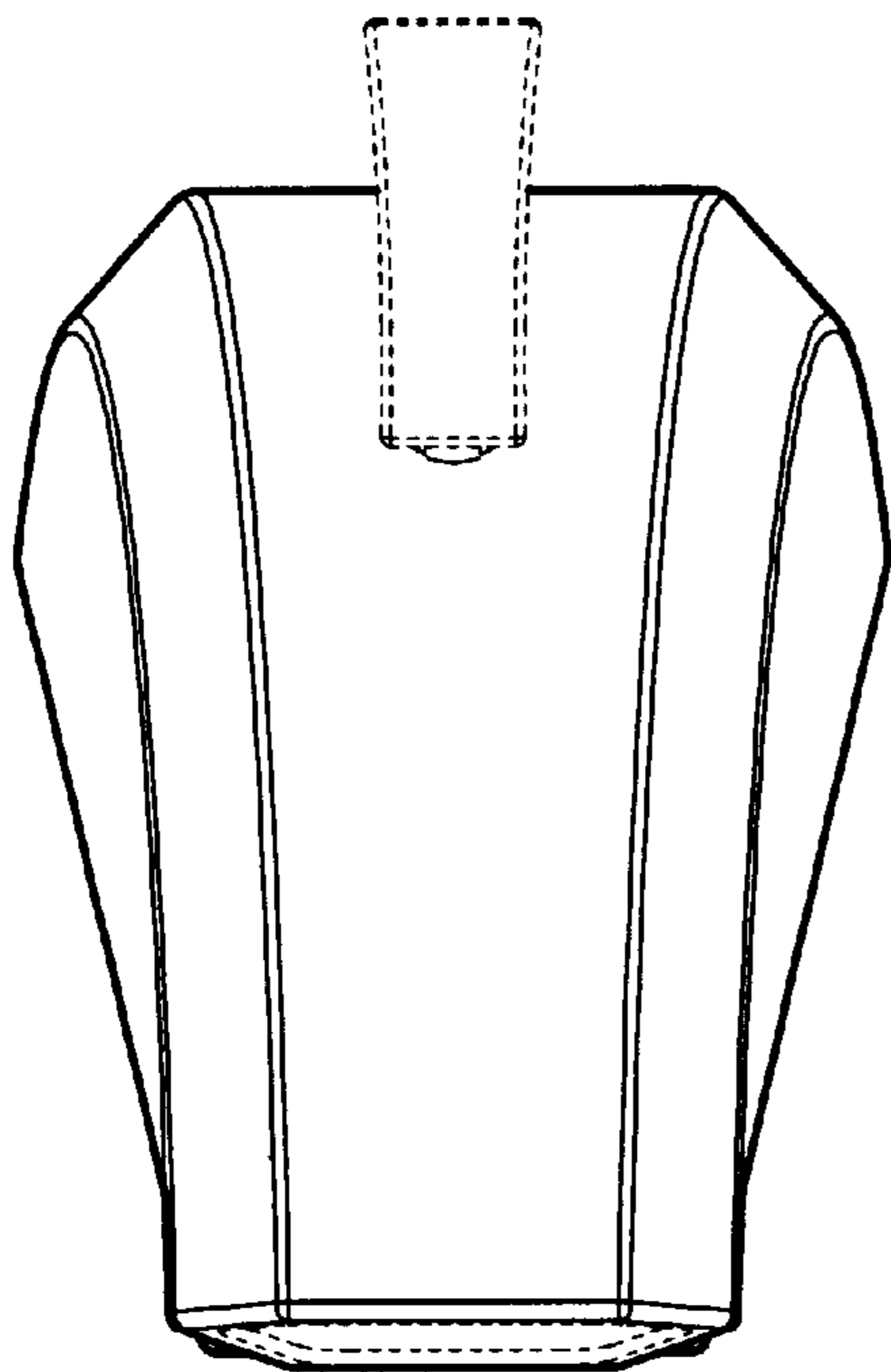


FIG. 2

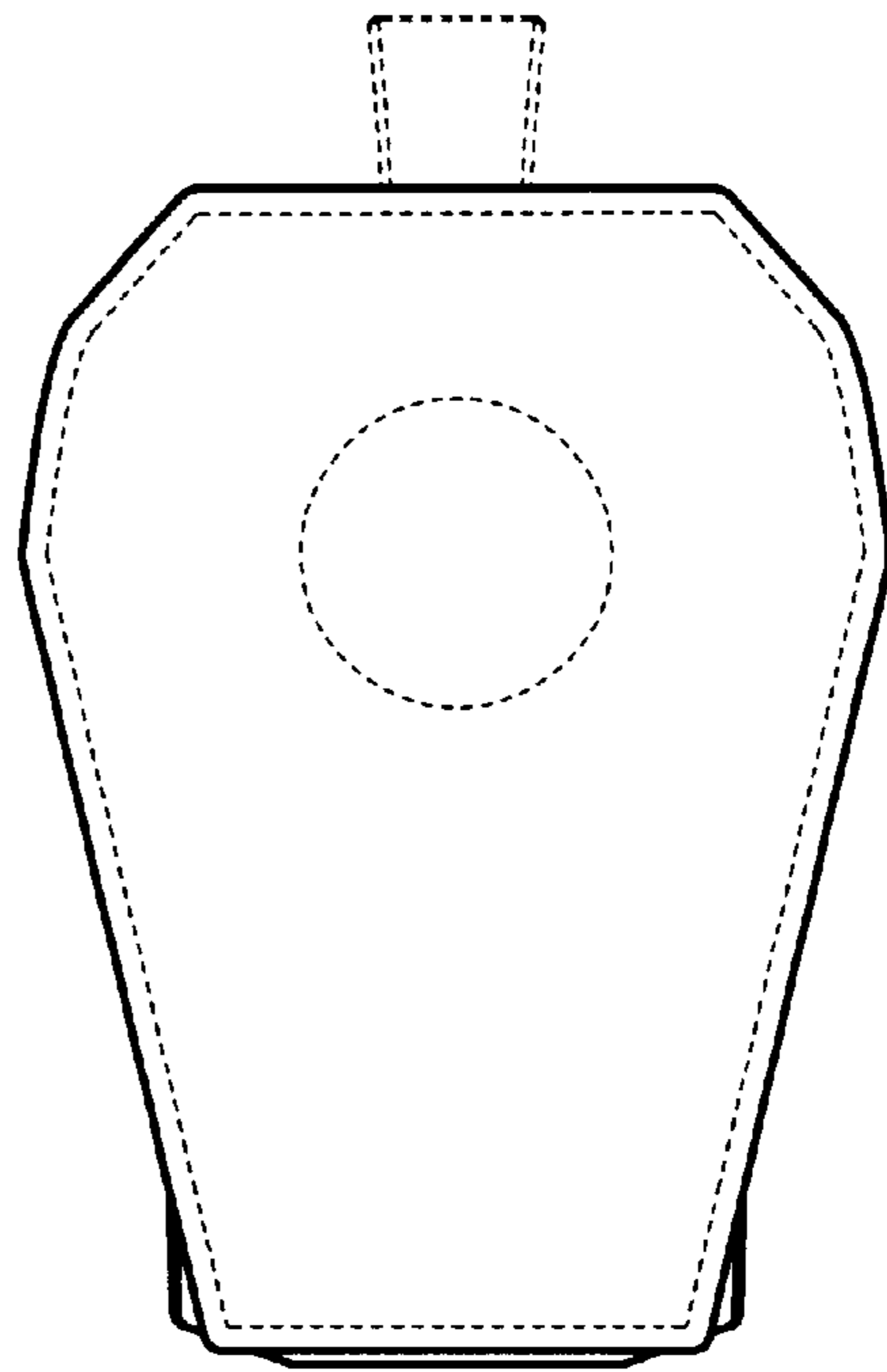


FIG. 3

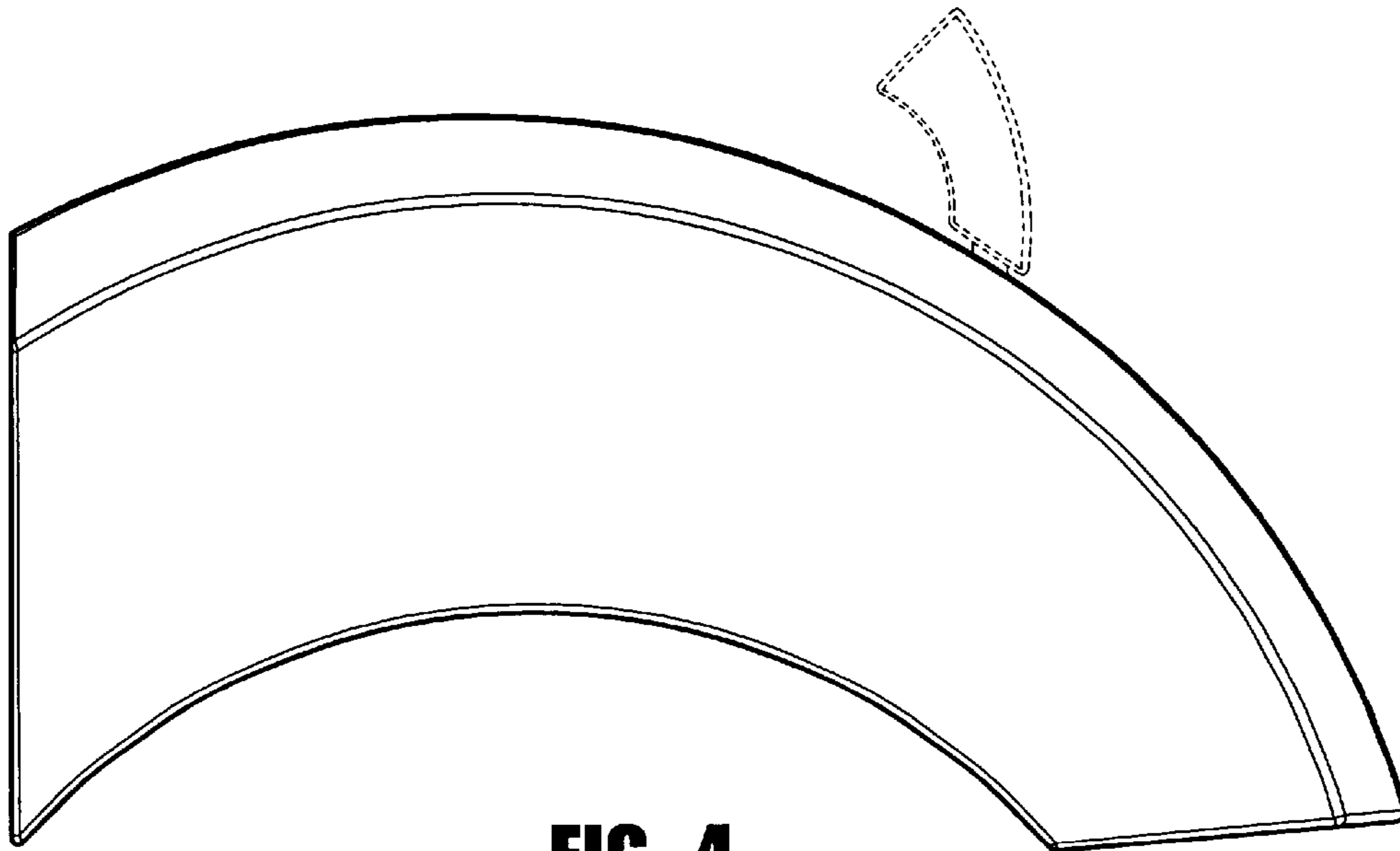


FIG. 4

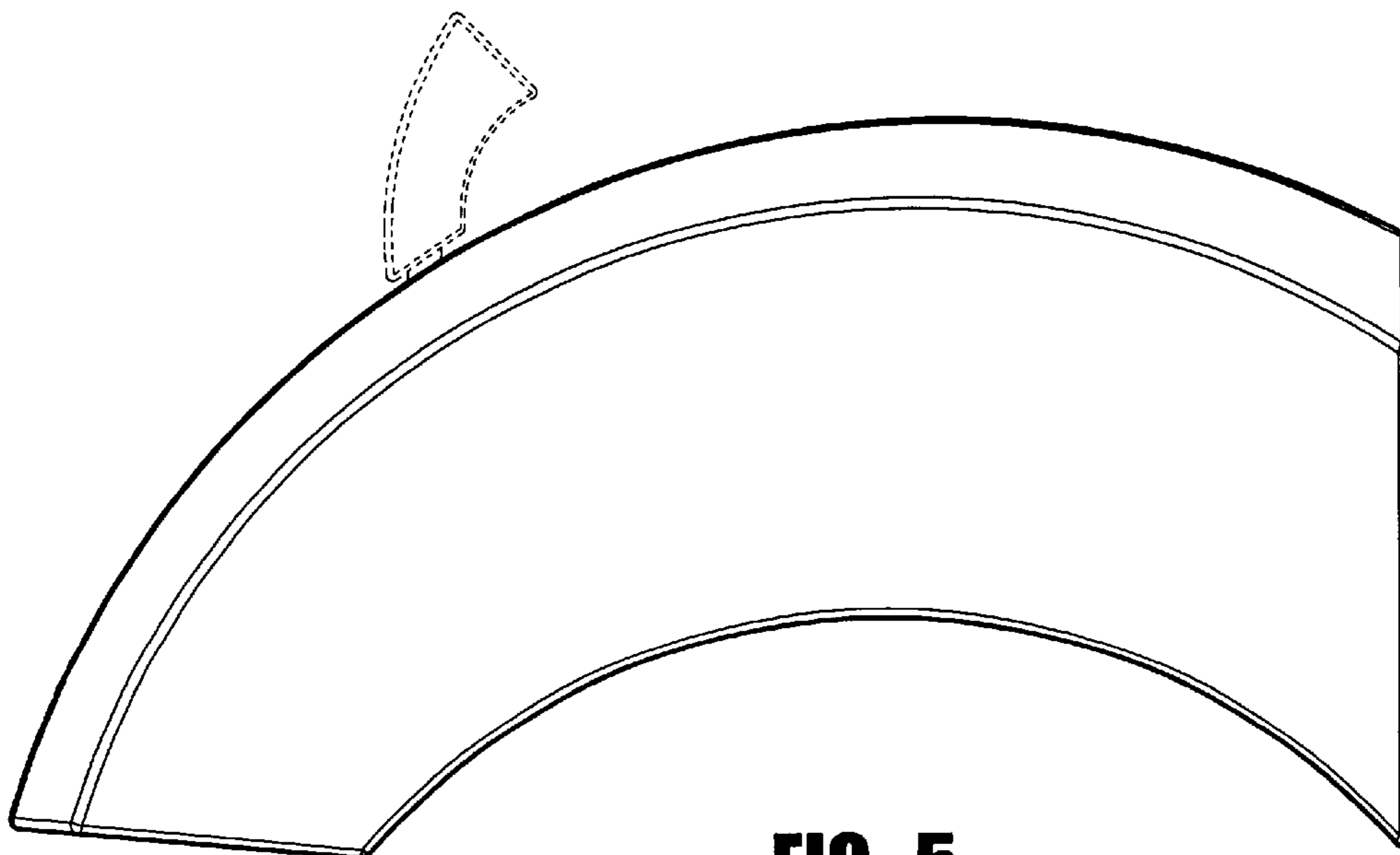


FIG. 5

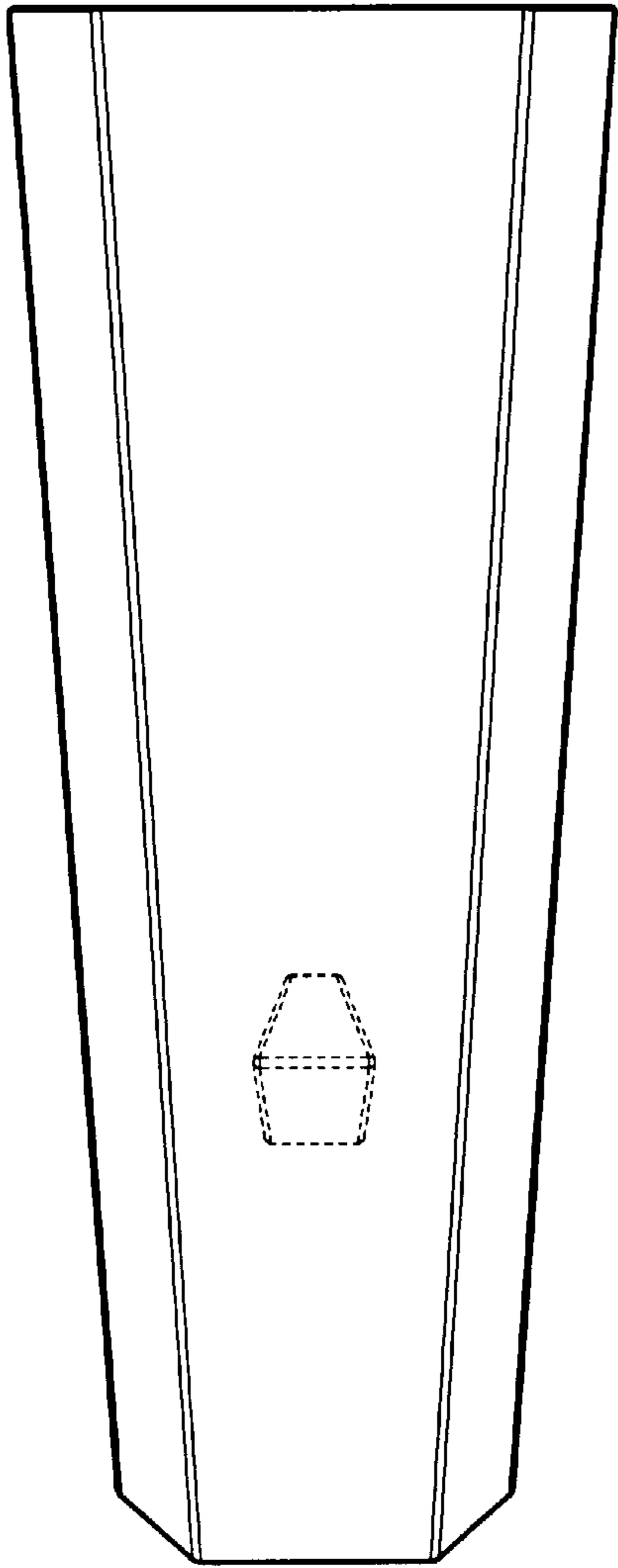


FIG. 6

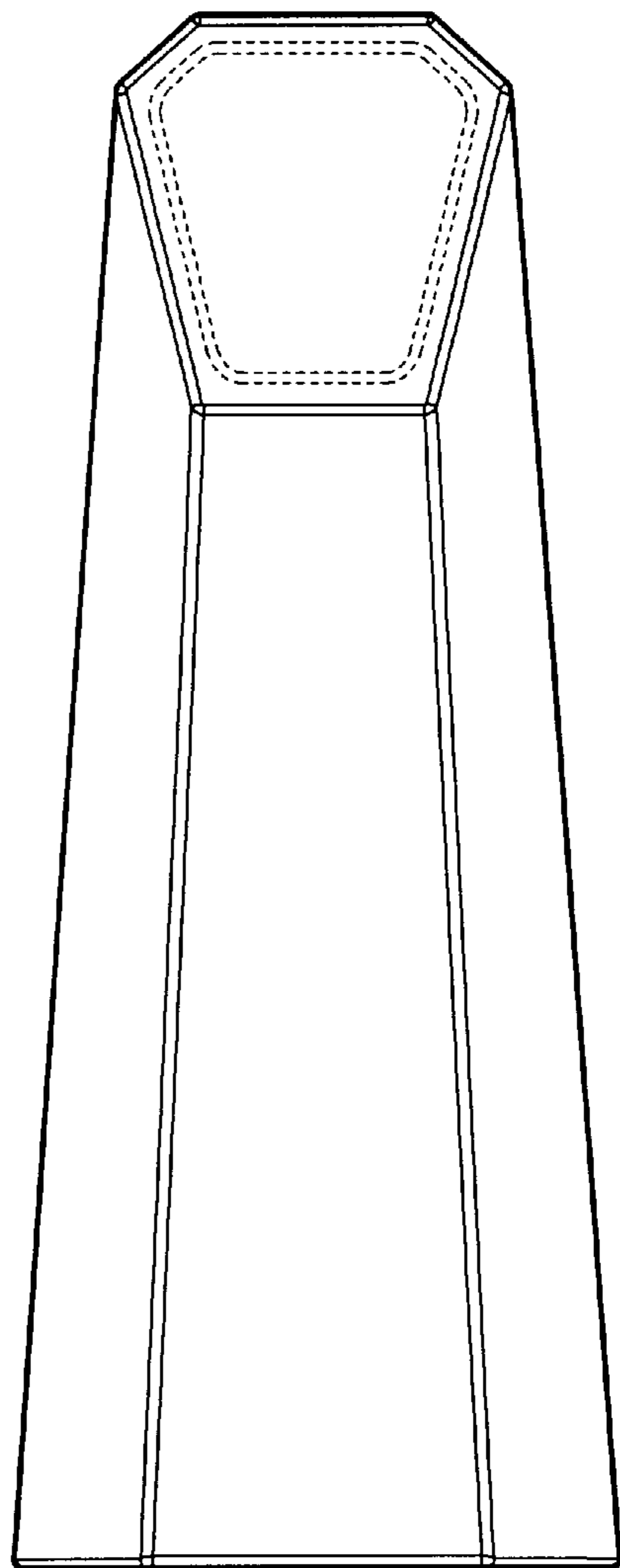


FIG. 7