

US00D525677S

(12) **United States Design Patent**
Hoernig

(10) **Patent No.:** **US D525,677 S**

(45) **Date of Patent:** **** Jul. 25, 2006**

(54) **HAND SPRAY**

D453,813 S * 2/2002 Gottwald D23/223
D457,598 S * 5/2002 Storti et al. D23/223

(75) Inventor: **Victor Hoernig**, Lowell, IN (US)

* cited by examiner

(73) Assignee: **Brasstech, Inc.**, Santa Ana, CA (US)

Primary Examiner—Robin Webster

(**) Term: **14 Years**

(74) *Attorney, Agent, or Firm*—Kwadjo Adusei-Poku;
Lloyd D. Doigan

(21) Appl. No.: **29/226,512**

(57) **CLAIM**

(22) Filed: **Mar. 30, 2005**

The ornamental design for a hand spray, as shown and described.

(51) **LOC (8) Cl.** **23-01**

(52) **U.S. Cl.** **D23/223**

(58) **Field of Classification Search** D23/213,
D23/223, 226, 229–30; 239/282–3, 394
See application file for complete search history.

DESCRIPTION

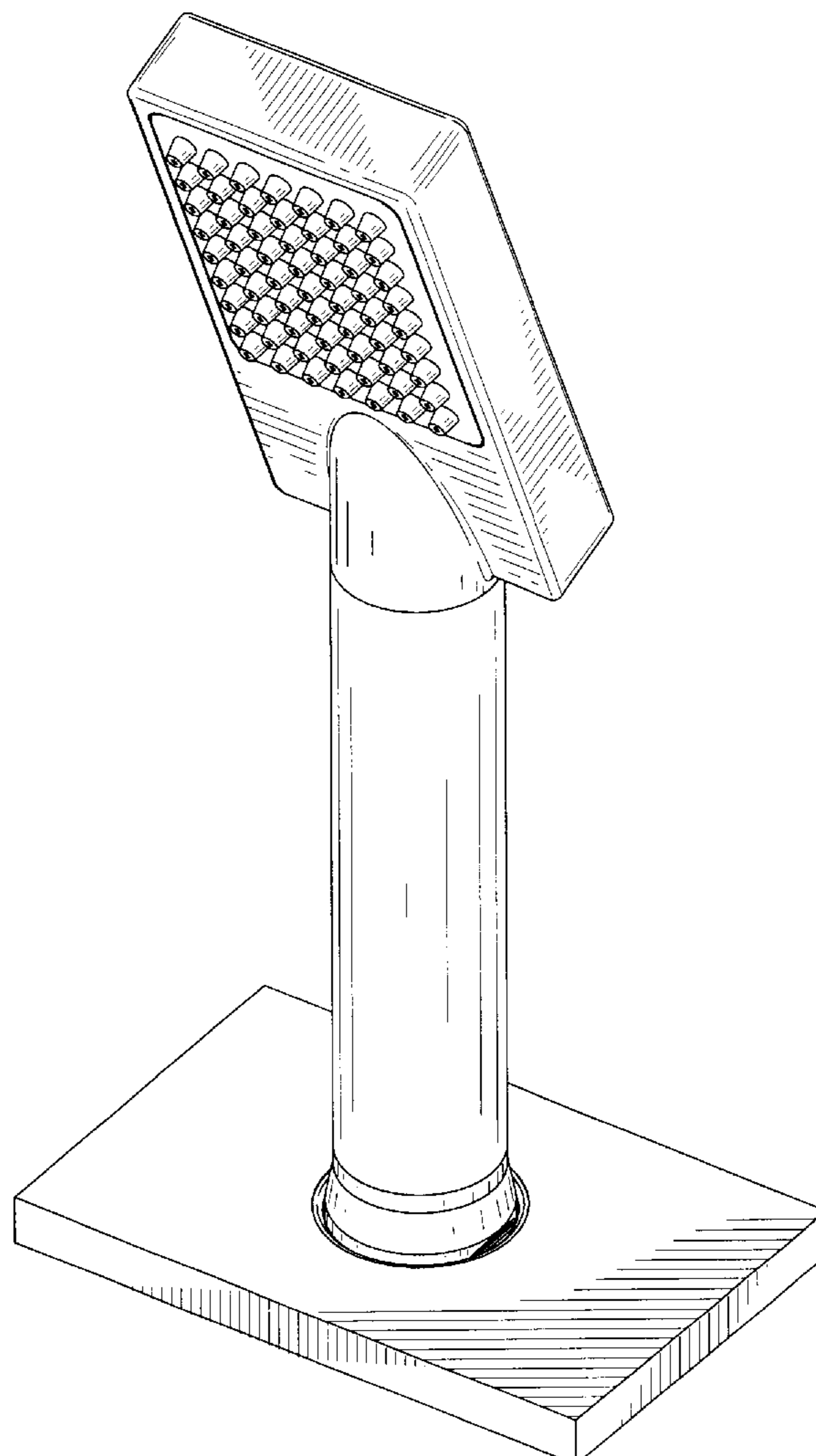
FIG. 1 is a front perspective view of a hand spray showing my design;
FIG. 2 is a front elevational view thereof;
FIG. 3 is a rear elevational view thereof;
FIG. 4 is a right side elevational view, the left side elevational view being a mirror image thereof; and,
FIG. 5 is a top plan view thereof.

(56) **References Cited**

U.S. PATENT DOCUMENTS

D228,908 S * 10/1973 Juhlin D23/223
D253,069 S * 10/1979 Ogilvie D23/223
D261,300 S * 10/1981 Klose D23/223

1 Claim, 5 Drawing Sheets



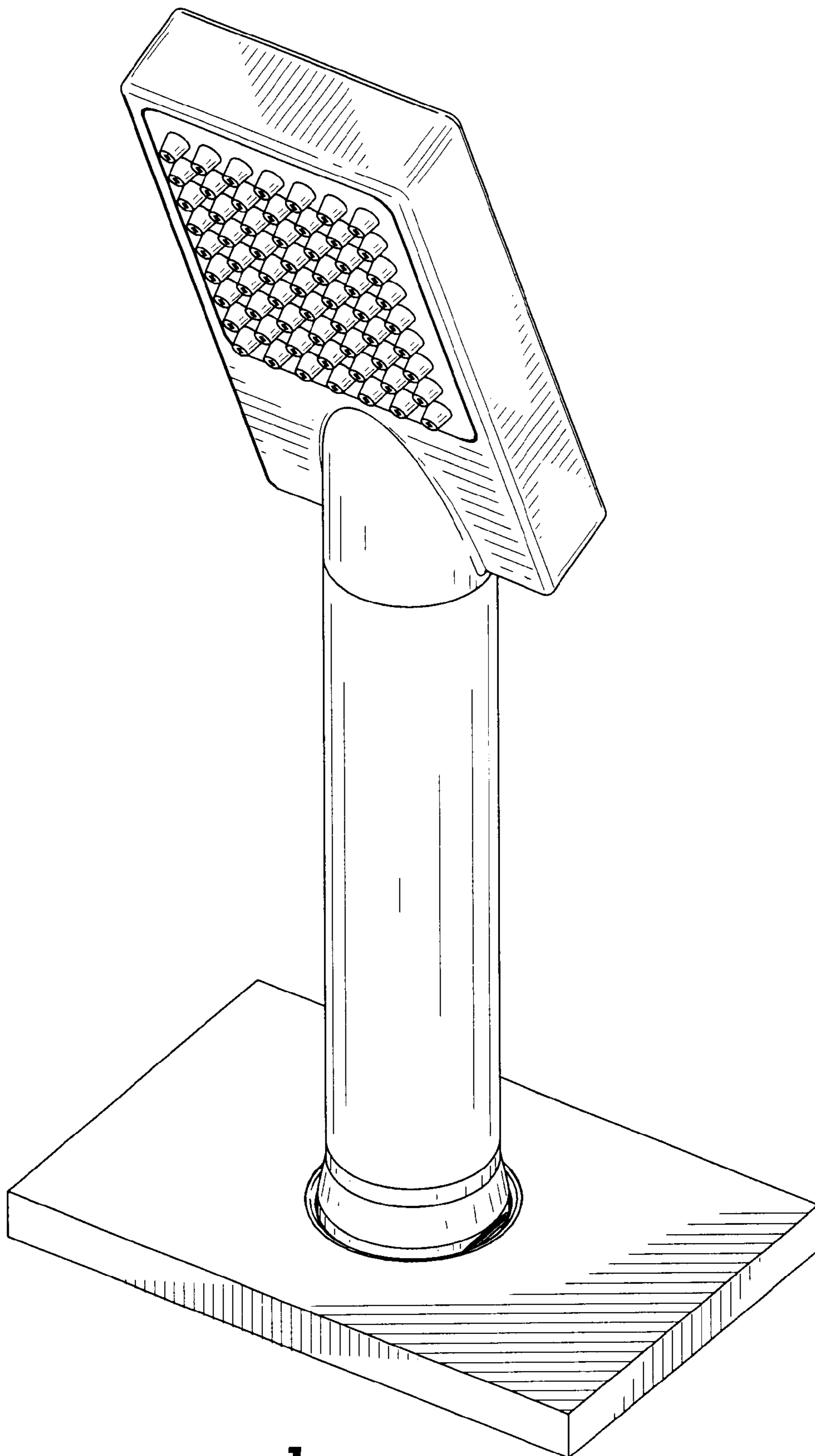


FIG. 1

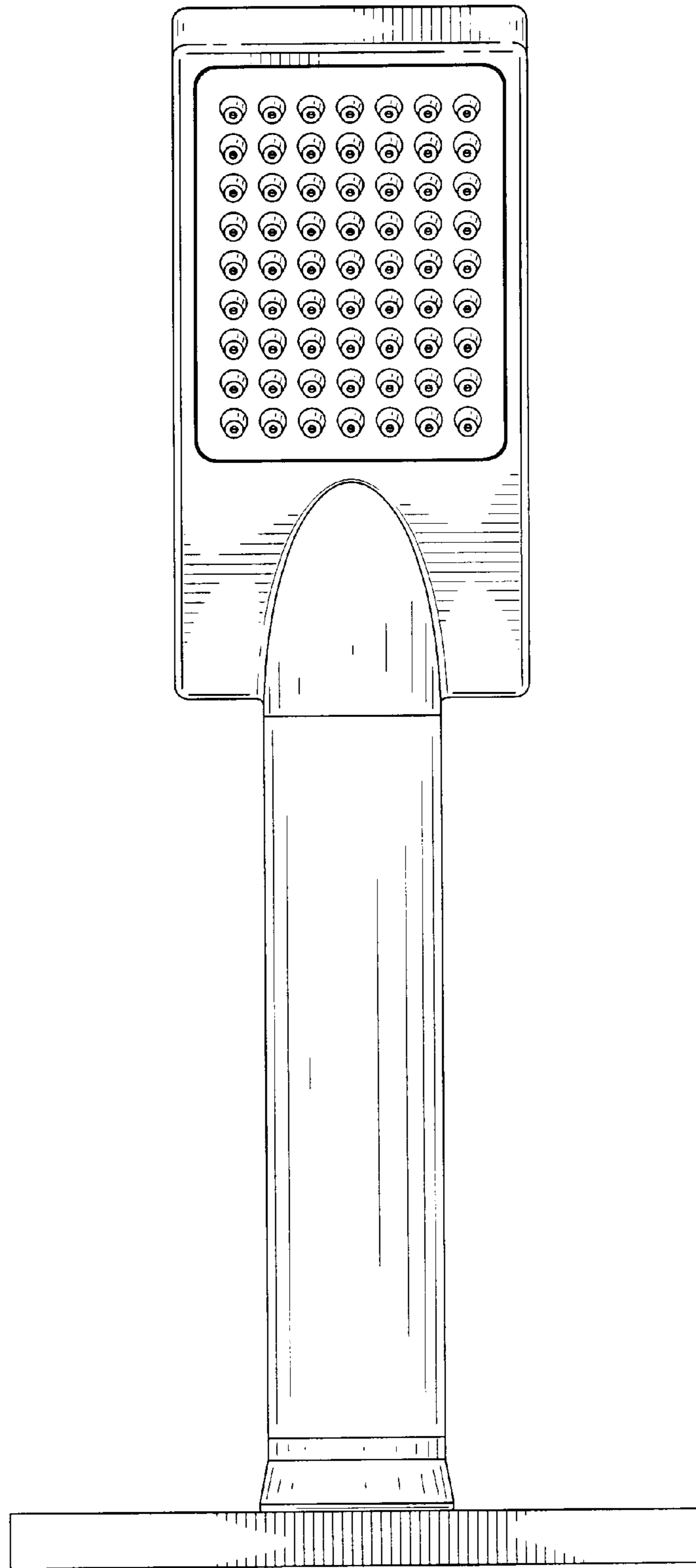


FIG. 2

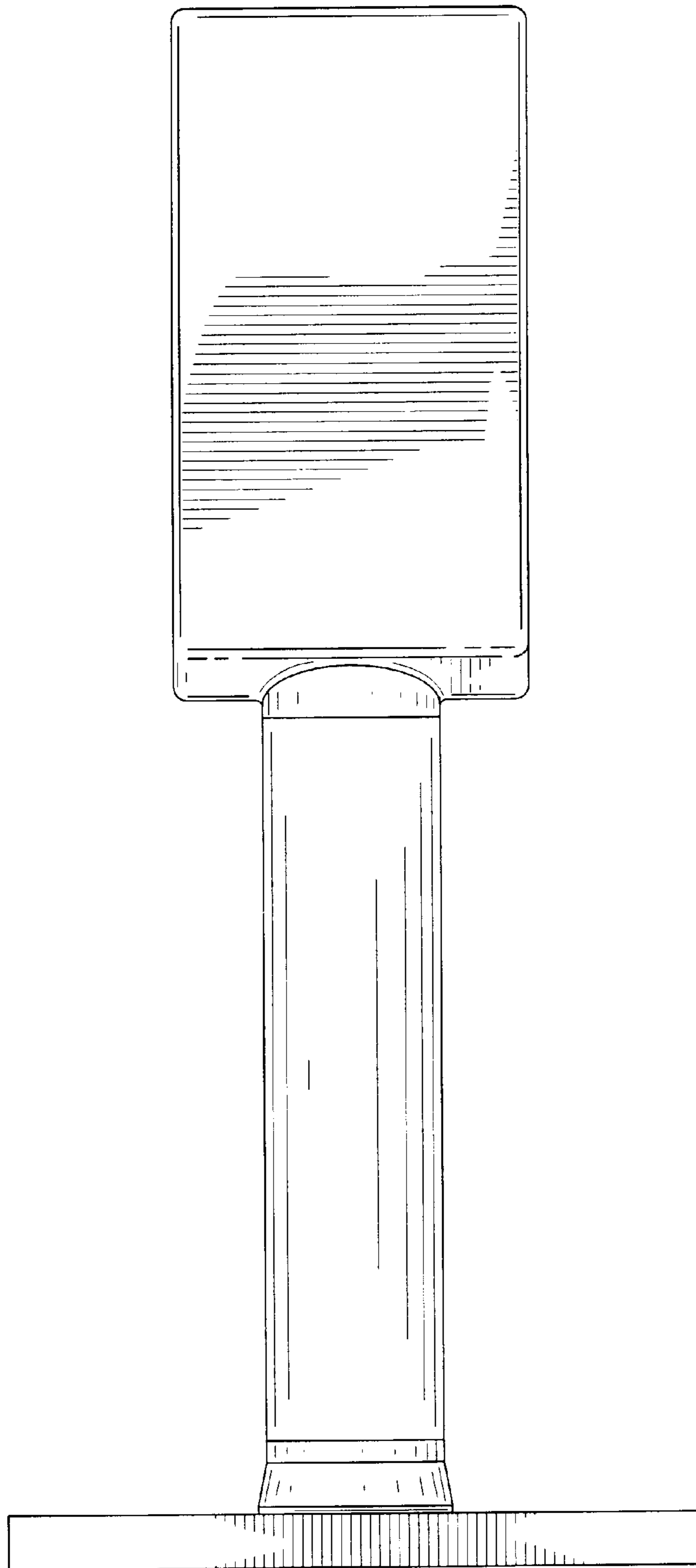


FIG. 3

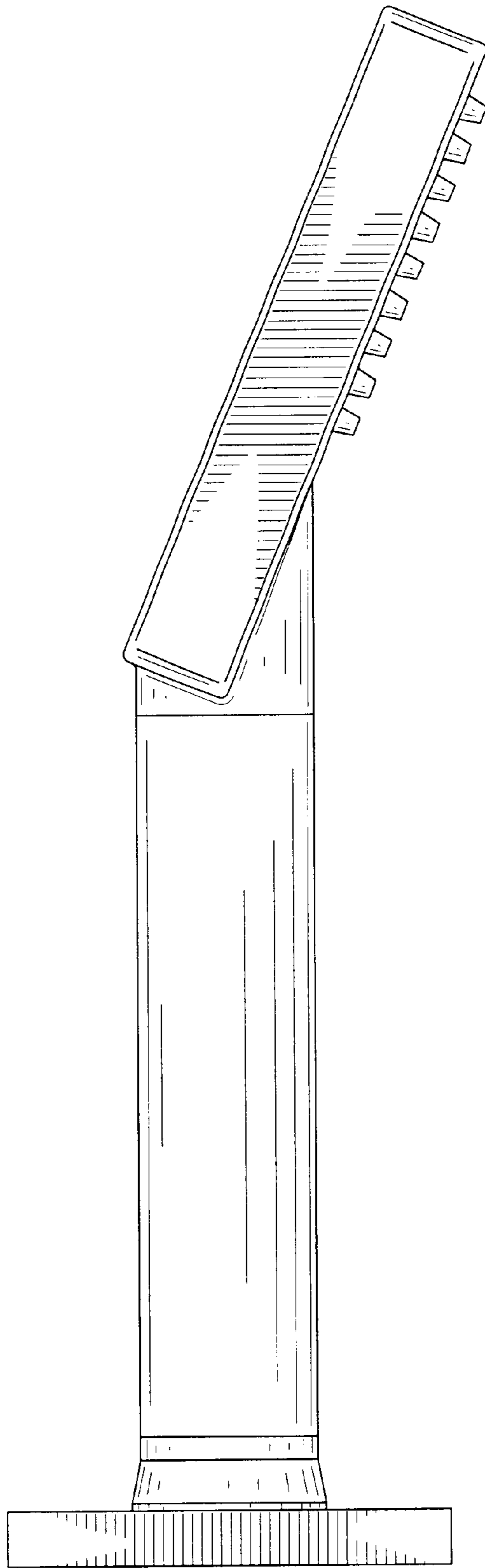


FIG. 4

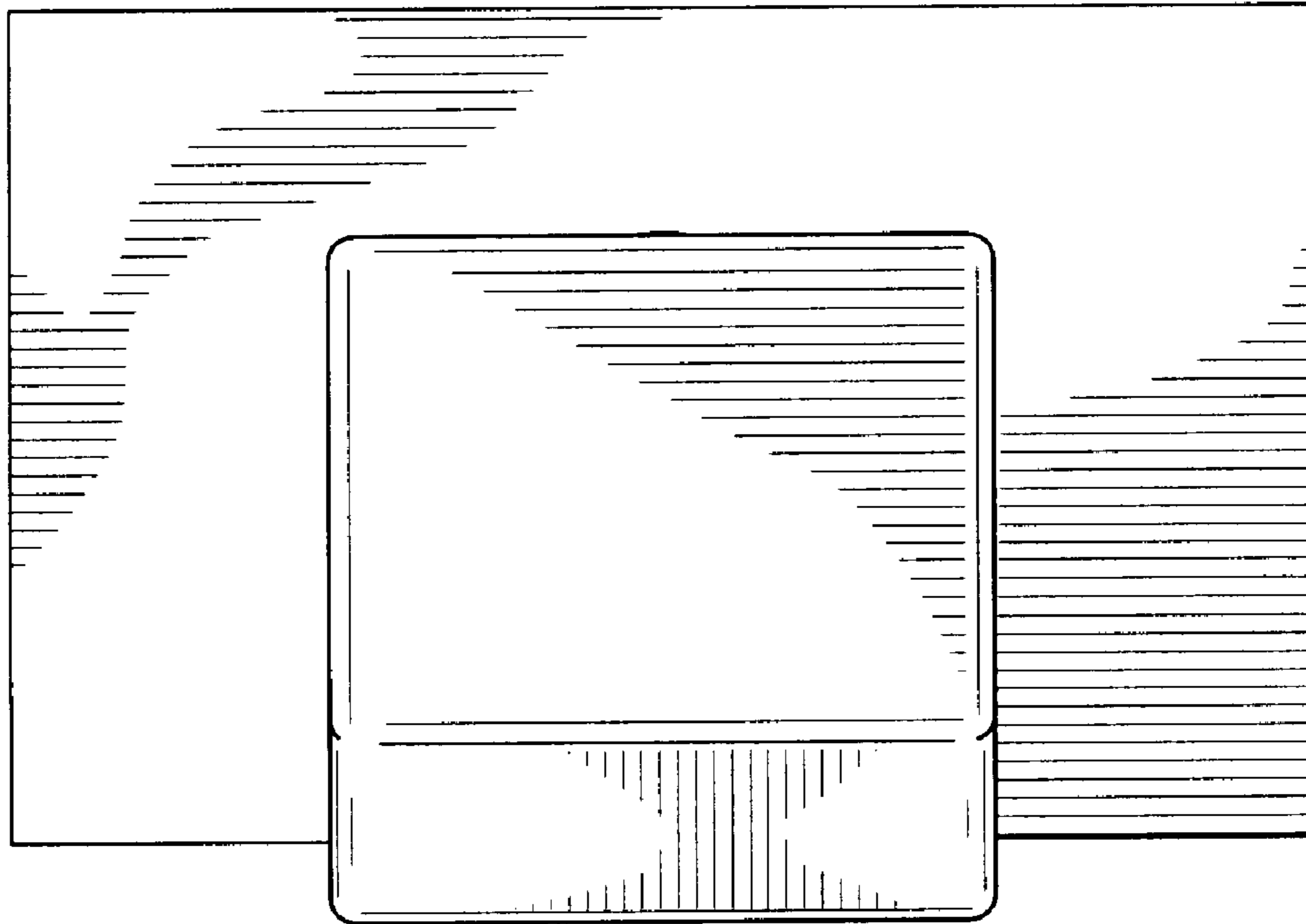


FIG. 5