



US00D525676S

(12) **United States Design Patent**
Arno et al.

(10) **Patent No.:** **US D525,676 S**
(45) **Date of Patent:** **** Jul. 25, 2006**

(54) **FLEXIBLE, INLINE, POINT-OF-USE AIR/GAS FILTER/DRYER**

(75) Inventors: **Michael J. Arno**, 5850 Kraus Rd.,
Clarence, NY (US) 14031; **Daniel**
Blaszkwowiak, Cheektowaga, NY (US)

(73) Assignee: **Michael J. Arno**, Clarence, NY (US)

(**) Term: **14 Years**

(21) Appl. No.: **29/212,499**

(22) Filed: **Sep. 1, 2004**

(51) **LOC (8) Cl.** **23-01**

(52) **U.S. Cl.** **D23/209; D23/266**

(58) **Field of Classification Search** D23/209,
D23/266; D13/118, 120, 153; 210/282, 287,
210/DIG. 6; 285/256, 258, 259

See application file for complete search history.

(56) **References Cited**

U.S. PATENT DOCUMENTS

4,226,446	A	*	10/1980	Burrington	285/256
4,991,876	A	*	2/1991	Mulvey	285/21.1
5,042,419	A	*	8/1991	Bianco	116/209
5,165,727	A	*	11/1992	Valley	285/12
D432,622	S	*	10/2000	Thompson et al.	D23/209
D441,421	S	*	5/2001	Aldred et al.	D23/209
6,866,302	B1	*	3/2005	Furata	285/256

* cited by examiner

Primary Examiner—Robin Webster

(74) *Attorney, Agent, or Firm*—Walter W. Duft

(57) **CLAIM**

The ornamental design for a flexible, inline, point-of-use air/gas filter/dryer, as shown and described.

DESCRIPTION

FIG. 1 is a perspective view showing a first embodiment of the design with removable moisture blocking end caps thereon;

FIG. 2 is a fragmentary front view showing one end of the first embodiment of the design, the opposite end of the design being identical thereto and therefore not illustrated, and the opposing rear view of the design also being identical thereto and therefore not illustrated;

FIG. 3 is a fragmentary right side view of the first embodiment of the design, the opposite end of the design being identical thereto and therefore not illustrated, and the opposing left side view of the design also being identical thereto and therefore not illustrated;

FIG. 4 is a first end view of the first embodiment of the design, the opposing end view of the design being identical thereto and therefore not illustrated;

FIG. 5 is a perspective view showing a second embodiment of the design with the moisture blocking end caps removed;

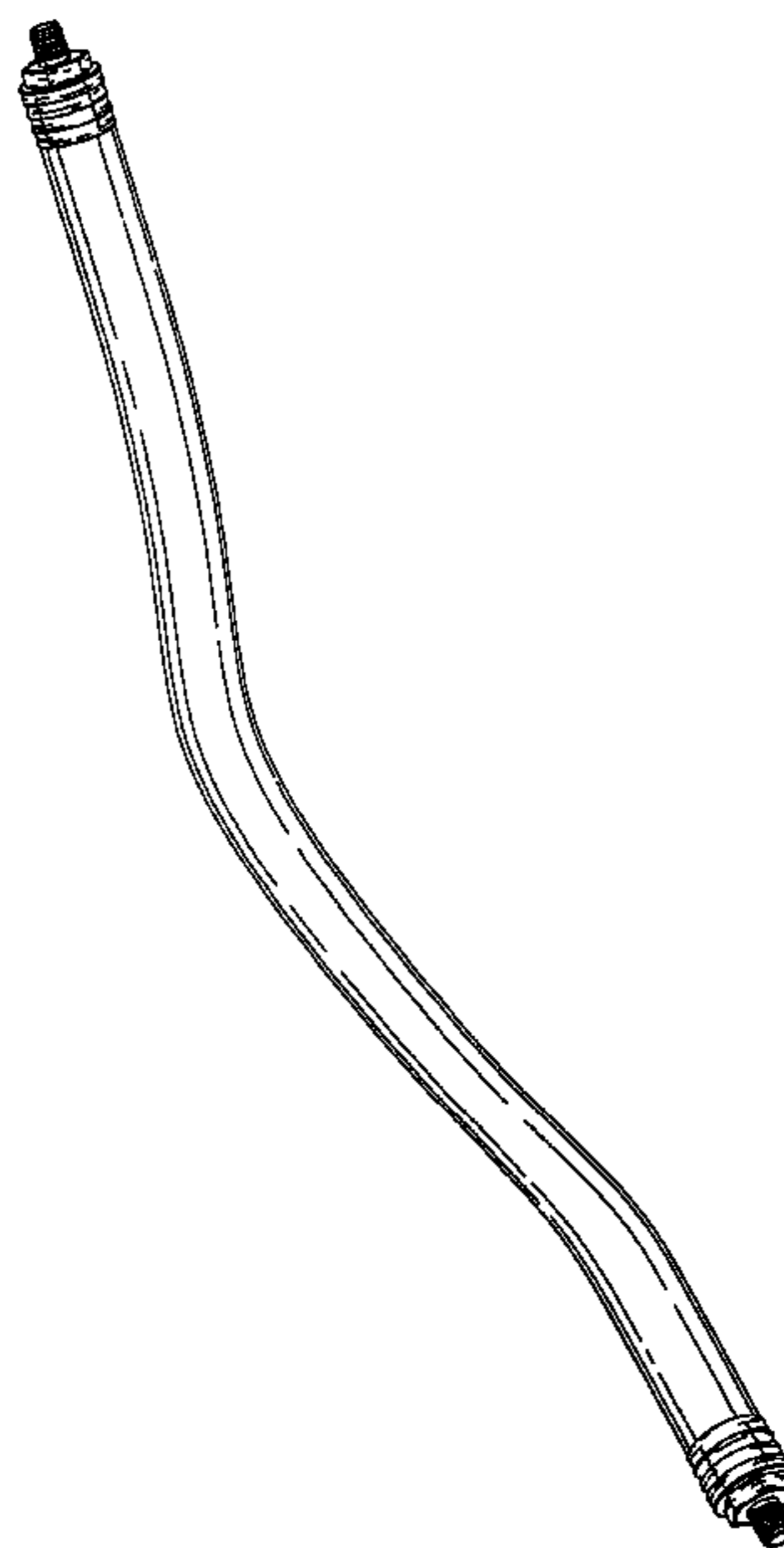
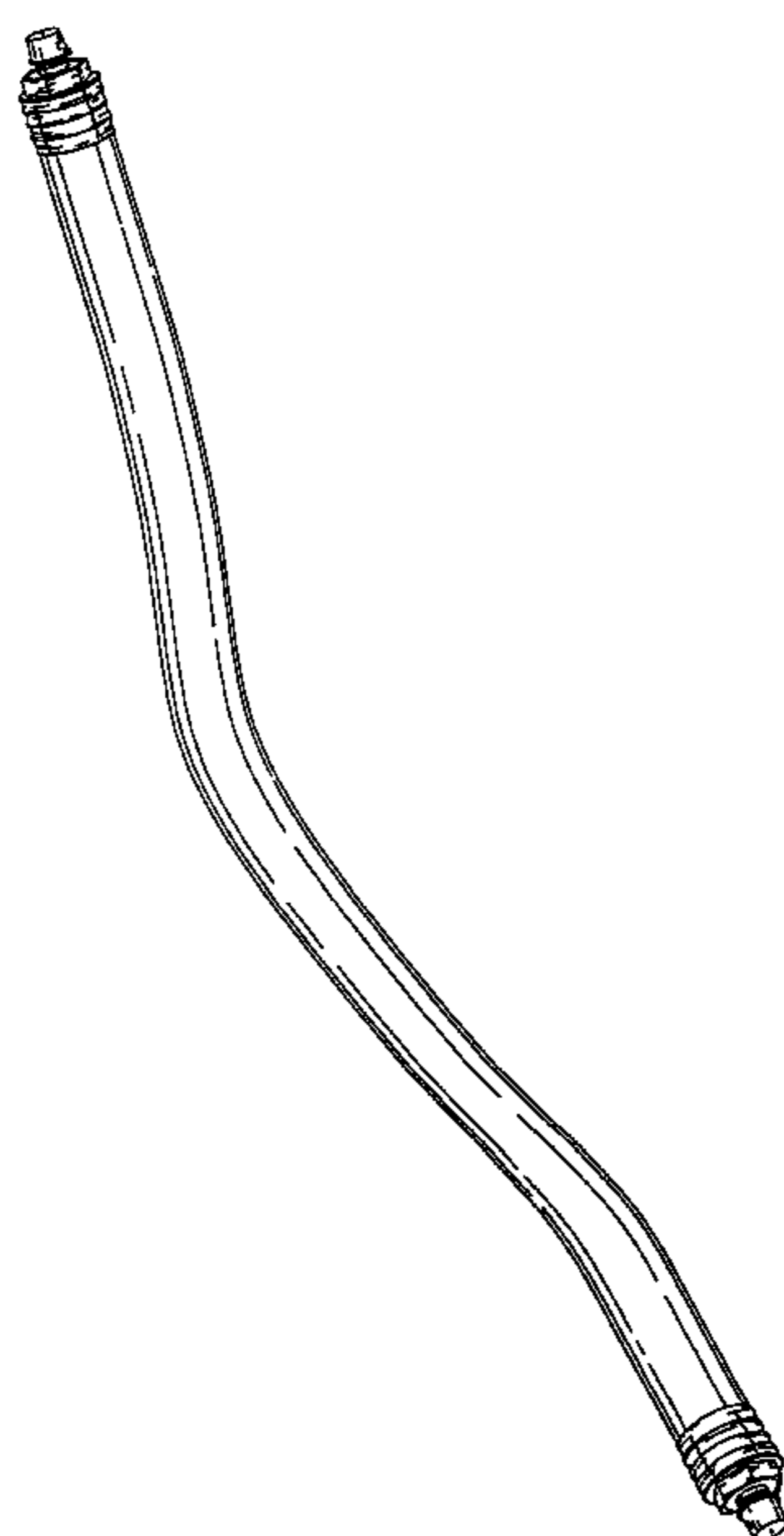
FIG. 6 is a fragmentary front view showing one end of the second embodiment of the design, the opposite end of the design being identical thereto and therefore not illustrated, and the opposing rear view of the design also being identical thereto and therefore not illustrated;

FIG. 7 is a fragmentary right side view of the second embodiment of the design, the opposite end of the design being identical thereto and therefore not illustrated, and the opposing left side view of the design also being identical thereto and therefore not illustrated; and,

FIG. 8 is a first end view of the second embodiment of the design, the opposing end view of the design being identical thereto and therefore not illustrated.

The claimed design is shown fragmented in FIGS. 2,3,6 and 7 for ease of illustration.

1 Claim, 6 Drawing Sheets



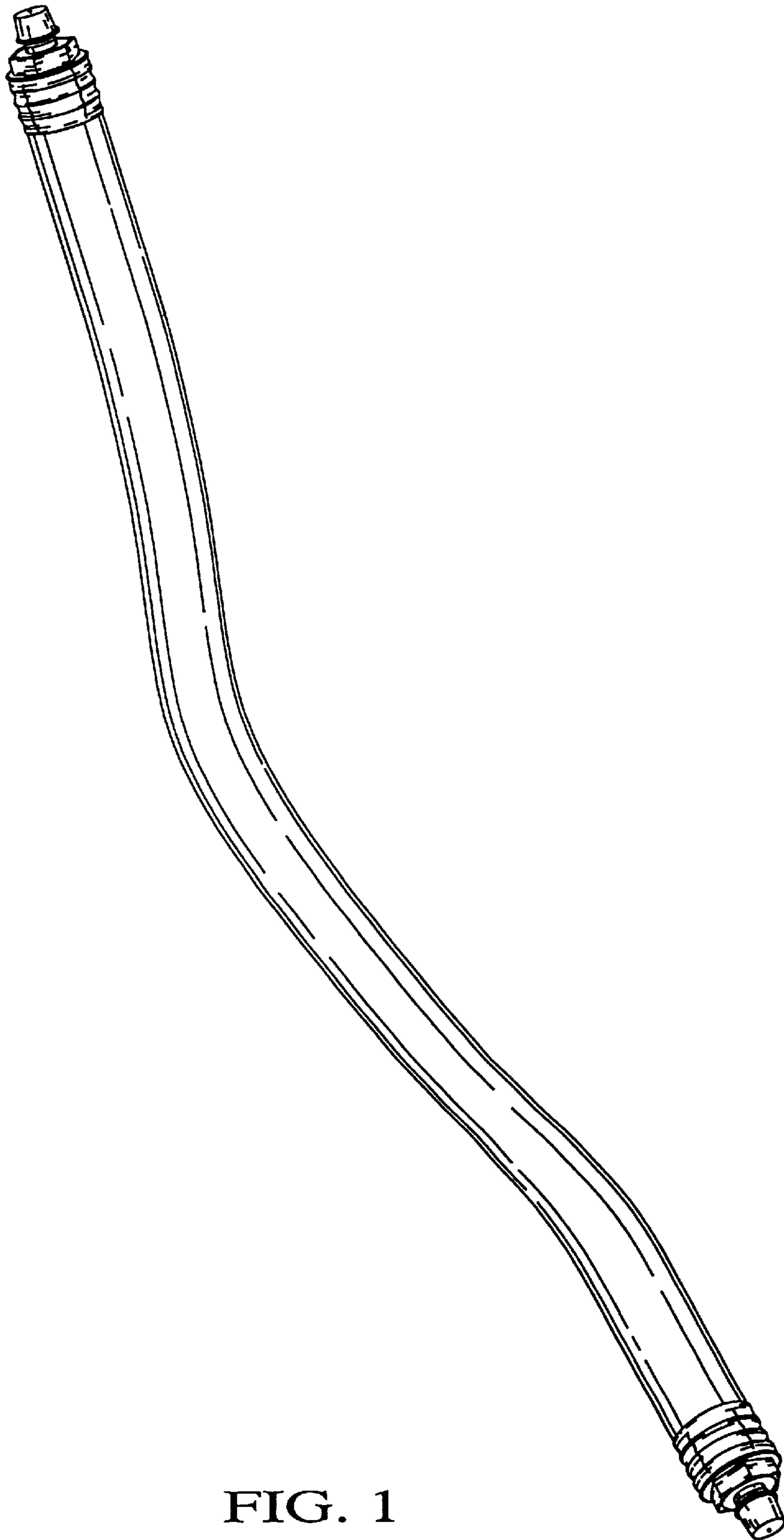


FIG. 1

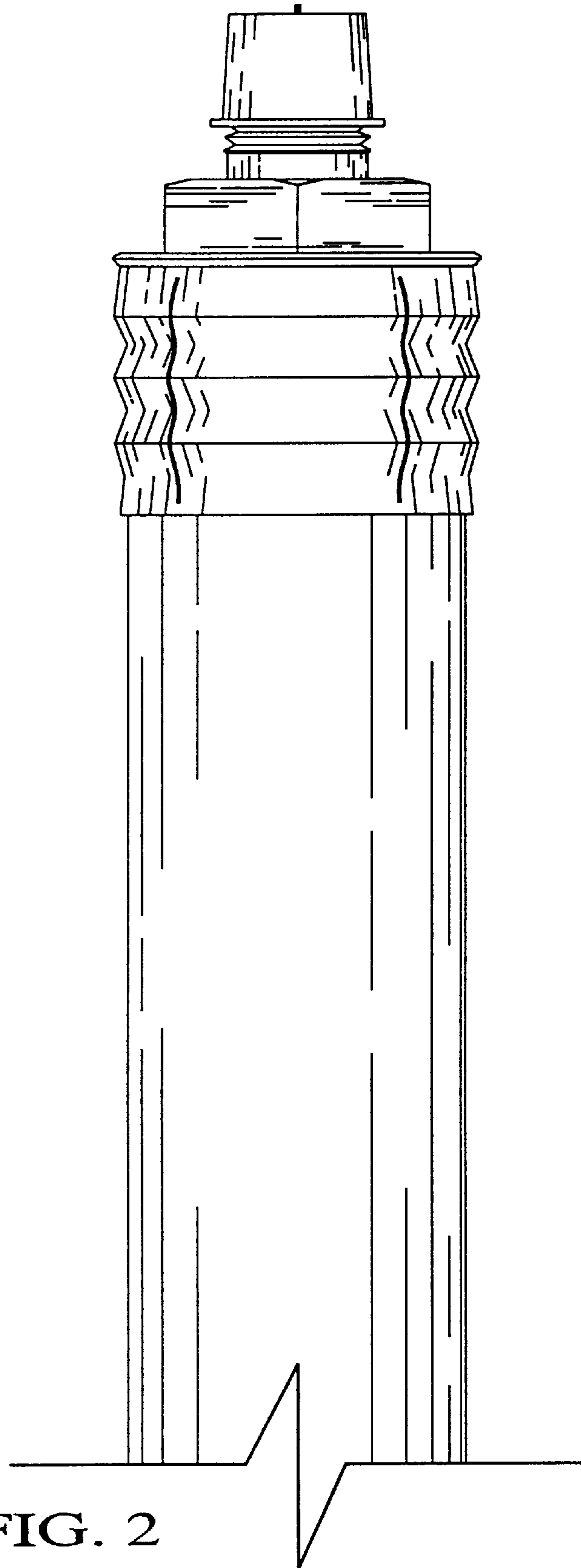


FIG. 2

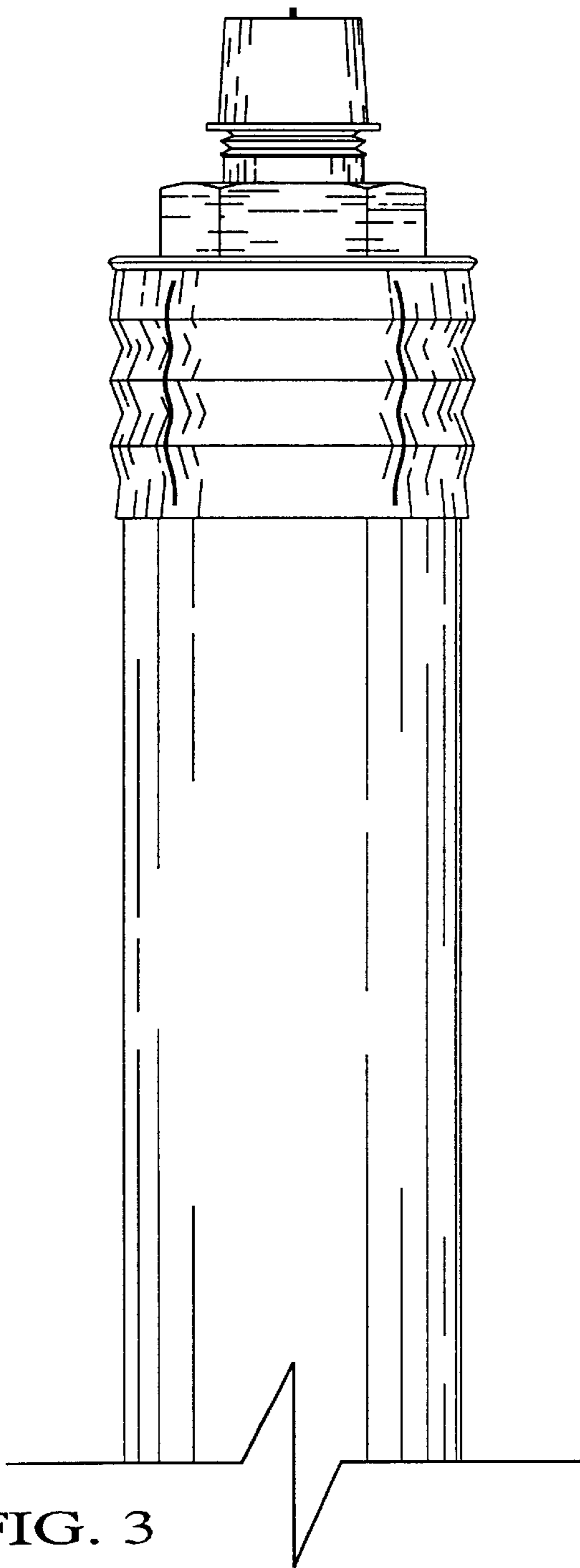


FIG. 3

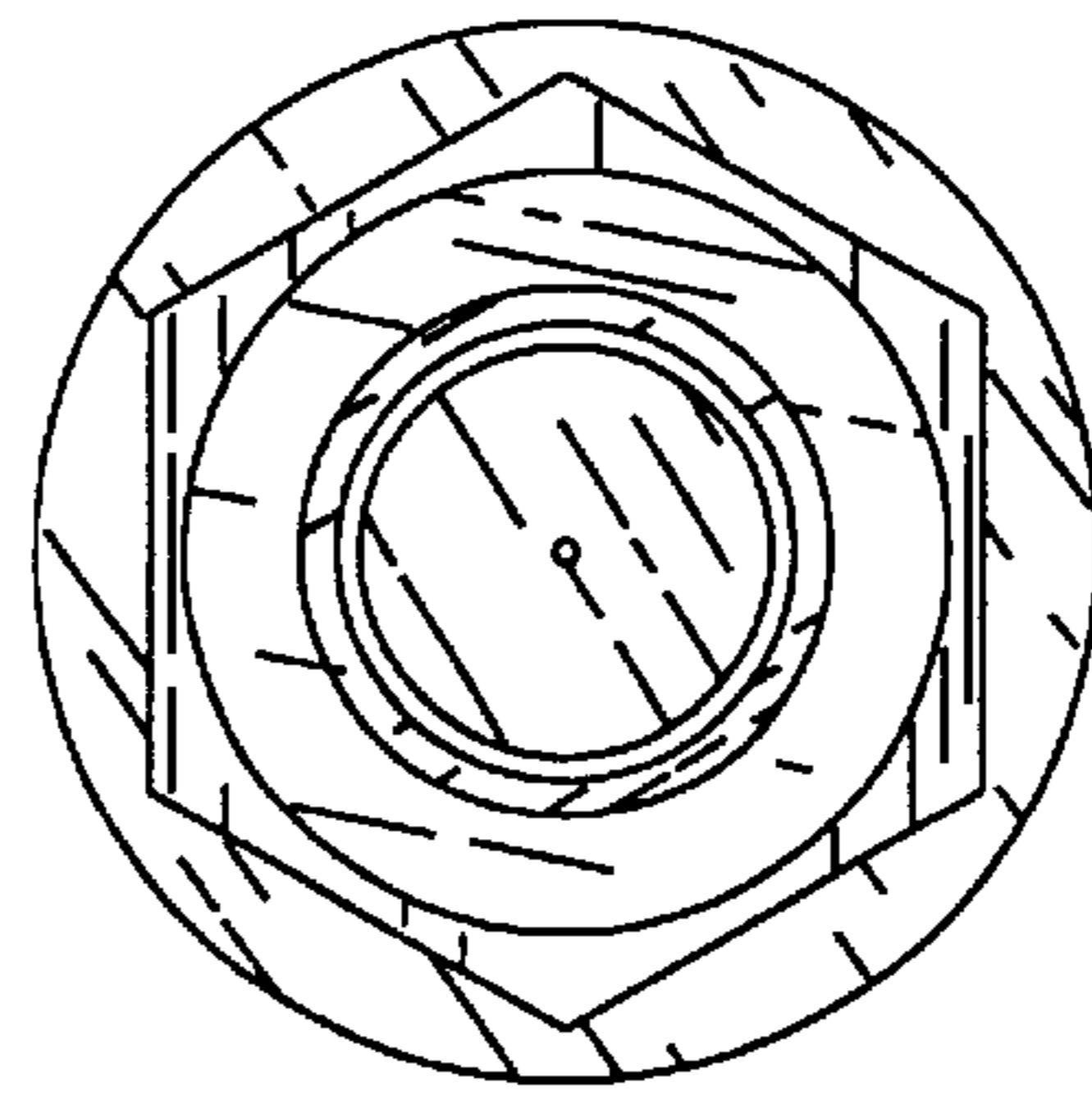


FIG. 4

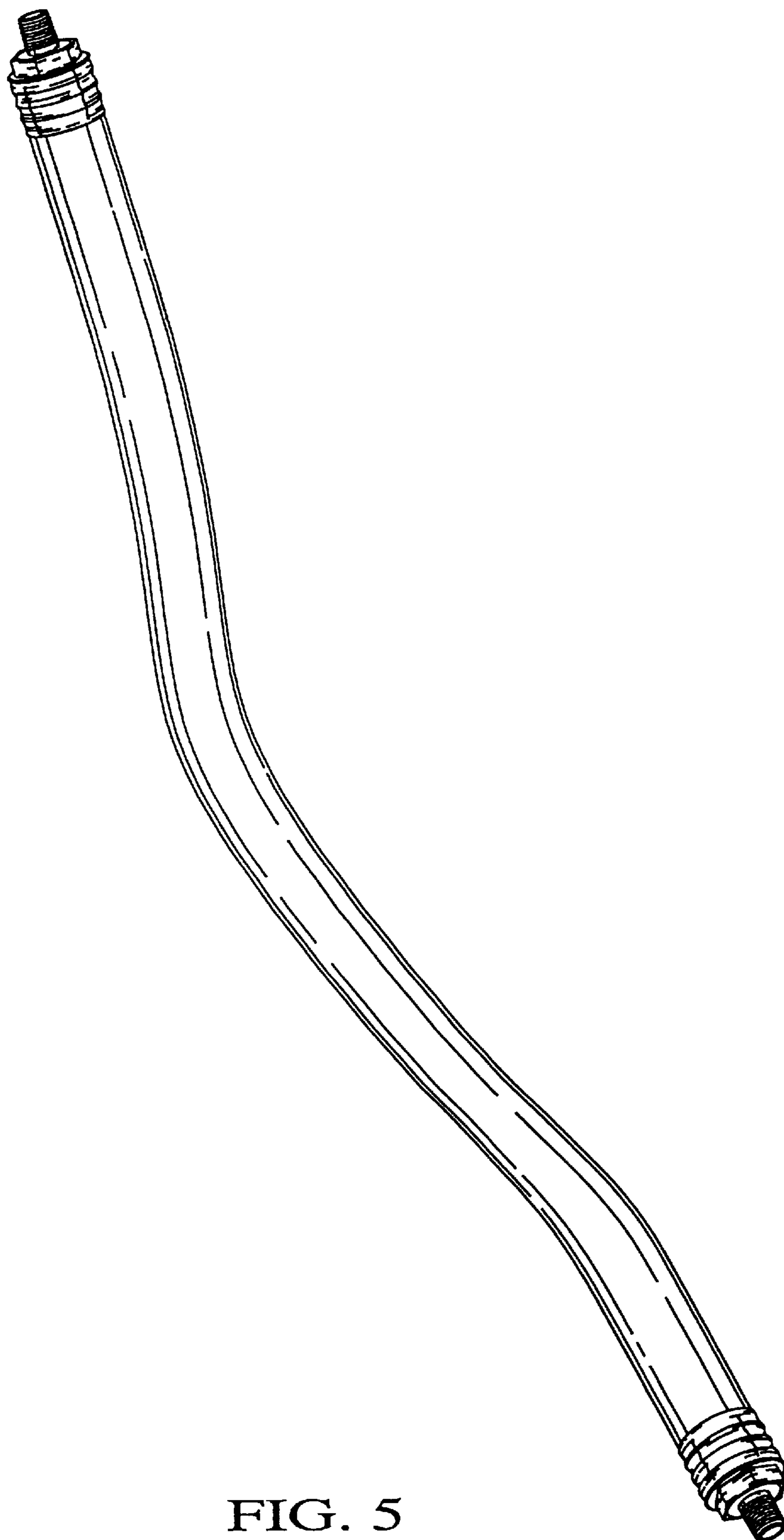


FIG. 5

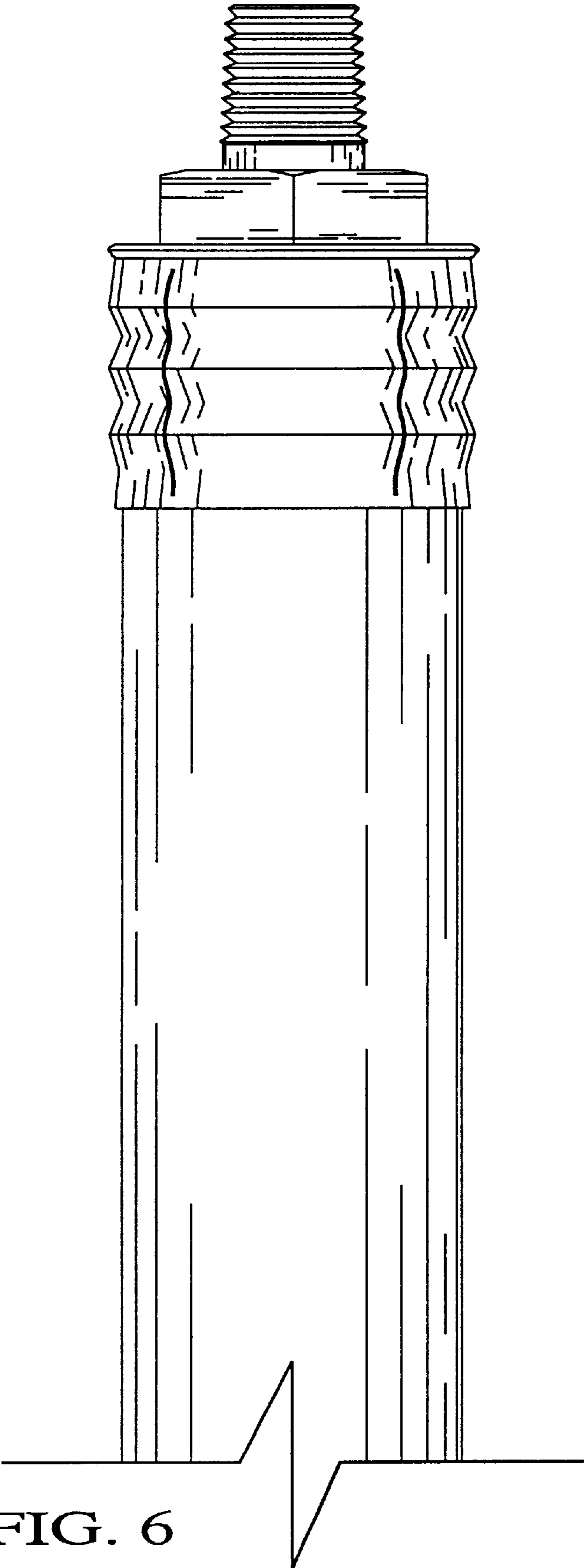


FIG. 6

