

US00D525668S

(12) **United States Design Patent**
Payne

(10) **Patent No.:** **US D525,668 S**
(45) **Date of Patent:** **** Jul. 25, 2006**

(54) **EXERCISE APPARATUS**

(76) **Inventor:** **Clive Anthony Payne**, 93 Carbery Avenue, Southbroune, Bournemouth, Dorset BH6 3LF (GB)

(**) **Term:** **14 Years**

(21) **Appl. No.:** **29/210,053**

(22) **Filed:** **Jul. 26, 2004**

(30) **Foreign Application Priority Data**

Jan. 26, 2004 (EM) 000133434

(51) **LOC (8) Cl.** **02-01**

(52) **U.S. Cl.** **D21/691**

(58) **Field of Classification Search** D21/662,
D21/686, 691; 482/38, 39, 40, 41, 42, 142,
482/144, 141, 96

See application file for complete search history.

(56) **References Cited**

U.S. PATENT DOCUMENTS

D265,575 S * 7/1982 Lunford D21/691
D267,419 S * 12/1982 Komarnicki D21/691
4,620,701 A * 11/1986 Mojden 482/41
4,638,995 A * 1/1987 Wilson 482/142

4,666,154 A * 5/1987 Lipscomb et al. 482/142
D301,270 S * 5/1989 Levenston D21/691
D324,708 S * 3/1992 Walsh D21/691
5,096,187 A * 3/1992 Marples 482/41
D339,835 S * 9/1993 Hsieh D21/691
5,407,404 A * 4/1995 Killian et al. 482/38
D372,059 S * 7/1996 Taylor D21/691
5,569,141 A * 10/1996 Chou 482/144
D480,772 S * 10/2003 Washington D21/686

* cited by examiner

Primary Examiner—Philip S. Hyder

(74) *Attorney, Agent, or Firm*—Mathews, Shepherd, McKay & Bruneau, P.A.

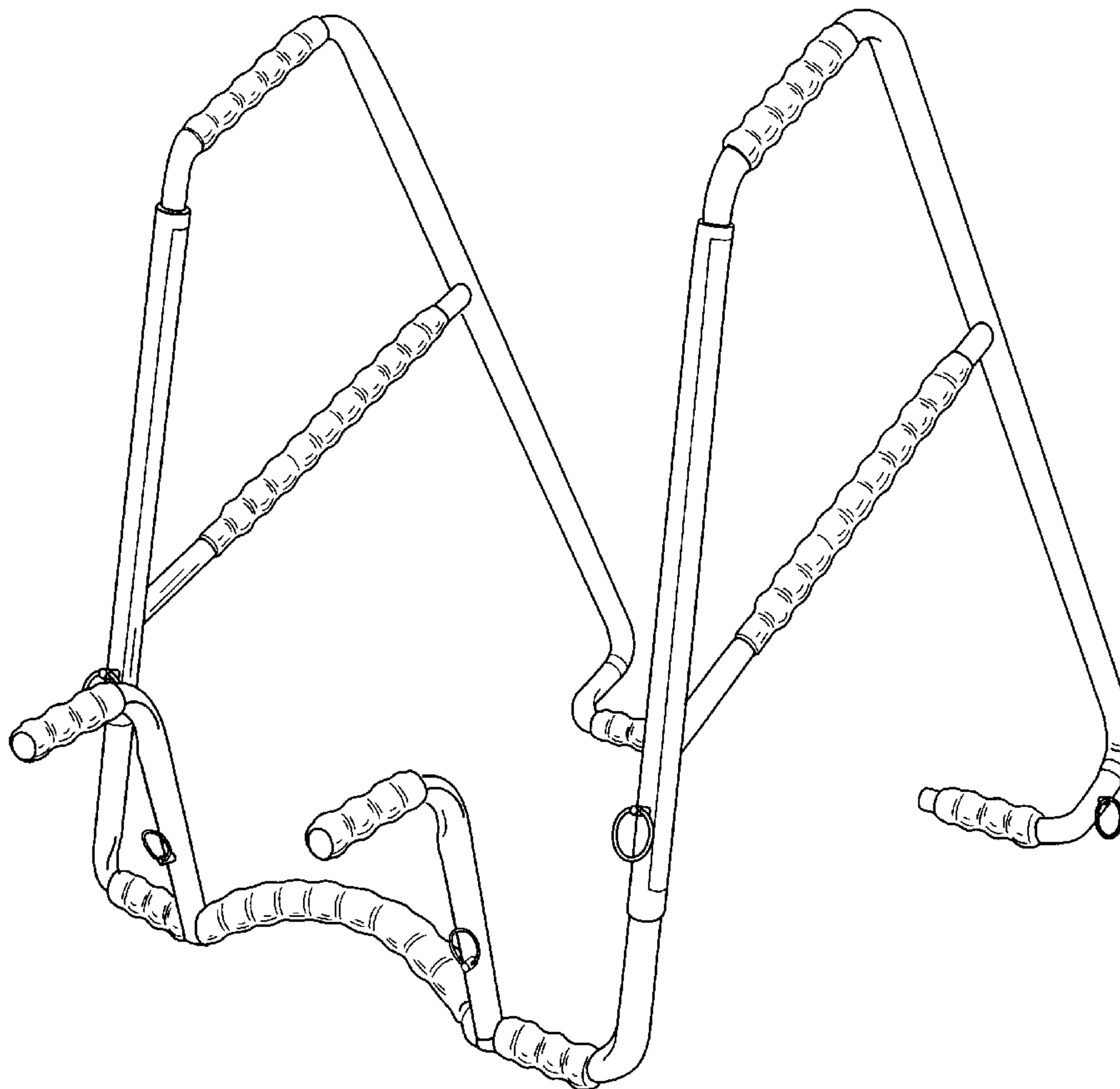
(57) **CLAIM**

I claim, the ornamental design for an exercise apparatus, as shown and described.

DESCRIPTION

FIG. 1 is a front and side perspective view, of the exercise apparatus with handles shown in a first position; and, FIG. 2 is a front and side perspective view of the exercise apparatus of FIG. 1 but with the handles shown in a second position and the exercise apparatus in a different orientation than shown in FIG. 1.

1 Claim, 2 Drawing Sheets



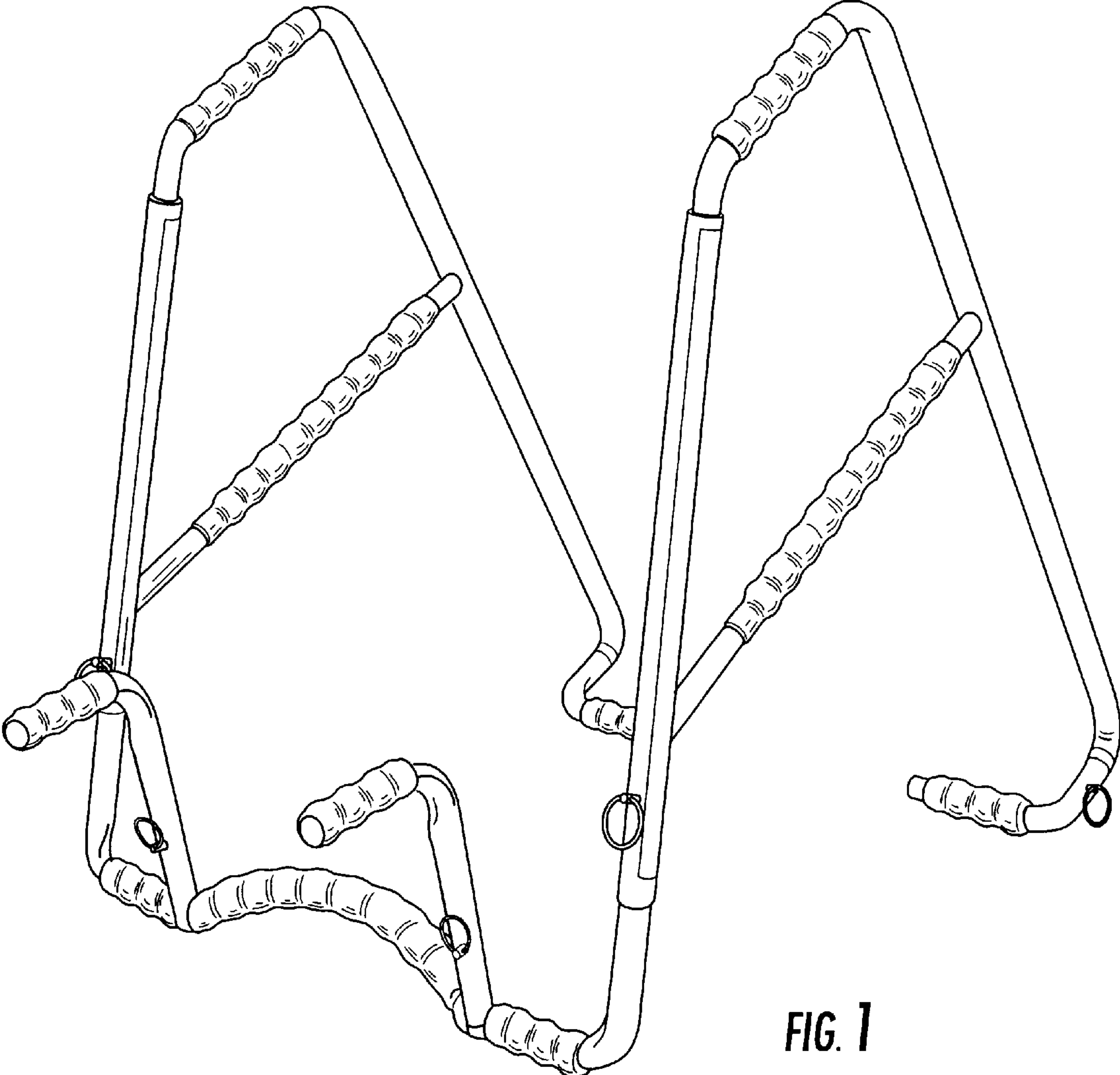


FIG. 1

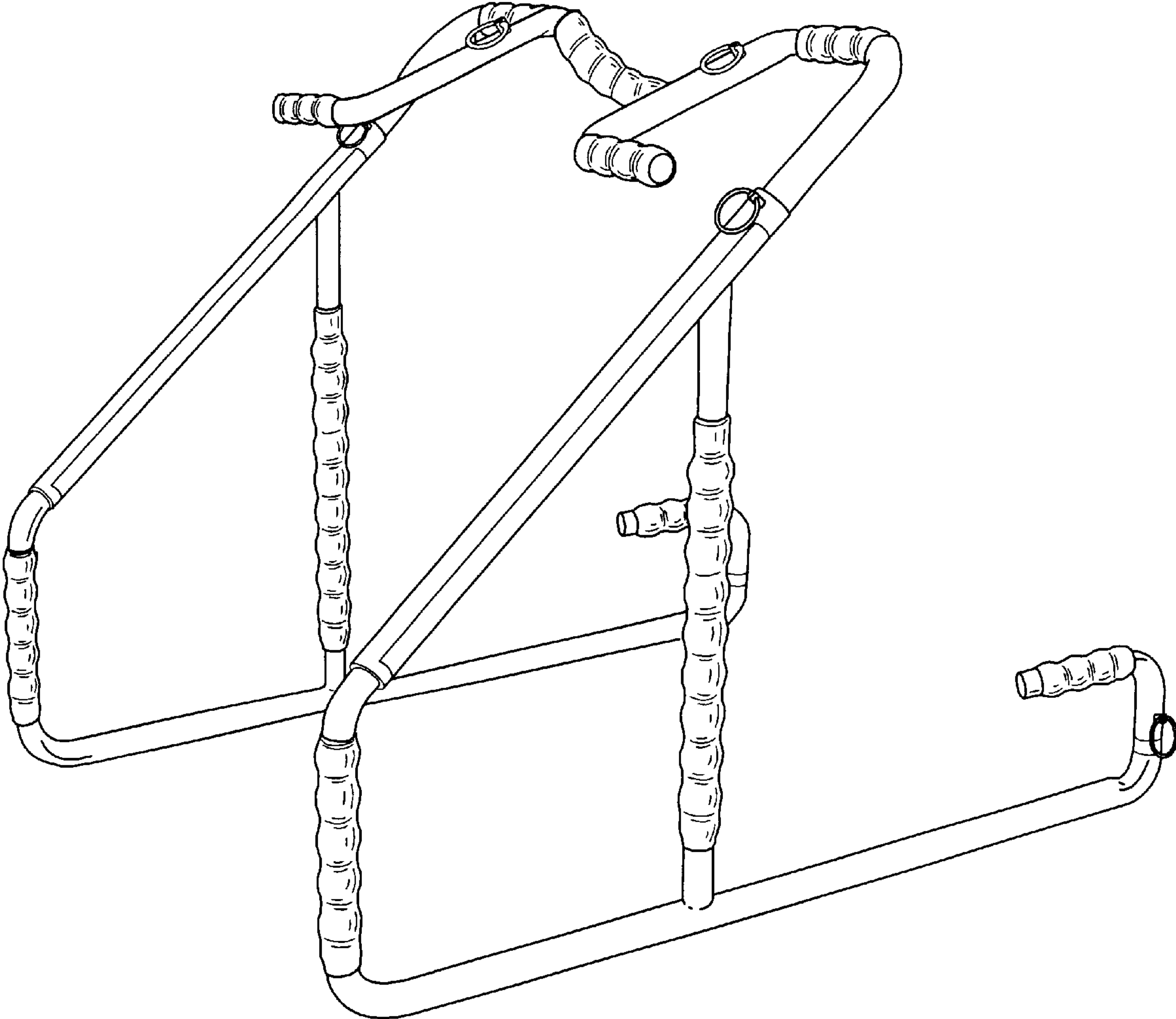


FIG. 2

UNITED STATES PATENT AND TRADEMARK OFFICE
CERTIFICATE OF CORRECTION

PATENT NO. : Des. 525,668 S
APPLICATION NO. : 29/210053
DATED : July 25, 2006
INVENTOR(S) : Clive Anthony Payne


Page 1 of 1

It is certified that error appears in the above-identified patent and that said Letters Patent is hereby corrected as shown below:

On the "Title Page", item (76) should read --Clive Anthony Payne, 93 Carbery Avenue, Southbourne, Bournemouth, BH6 3LP, (GB)--.

Signed and Sealed this

Tenth Day of April, 2007

A handwritten signature in black ink on a light gray dotted background. The signature reads "Jon W. Dudas" in a cursive style.

JON W. DUDAS

Director of the United States Patent and Trademark Office