



US00D525667S

(12) **United States Design Patent**  
**Lau**

(10) **Patent No.:** **US D525,667 S**  
(45) **Date of Patent:** **\*\* Jul. 25, 2006**

(54) **TOY BUS**

(75) Inventor: **Yuk Fai Lau**, Kowloon (HK)  
(73) Assignee: **Tai Way (Shing Kee) Toys Co. Ltd.**,  
Kowloon (HK)

(\*\*) Term: **14 Years**

(21) Appl. No.: **29/207,052**

(22) Filed: **Jun. 9, 2004**

(51) **LOC (8) Cl.** ..... **21-01**

(52) **U.S. Cl.** ..... **D21/552**

(58) **Field of Classification Search** ..... D21/424-435,  
D21/552-560, 533-541; D12/82, 84; 446/73,  
446/93, 465, 470; 280/87.01, 87.021, 828  
See application file for complete search history.

(56) **References Cited**

**U.S. PATENT DOCUMENTS**

1,808,310	A	*	6/1931	Lundahl	.....	280/87.01
4,430,827	A	*	2/1984	Rice et al.	.....	446/465
4,804,349	A	*	2/1989	Loscalzo et al.	.....	446/93
D309,643	S	*	7/1990	Picozza et al.	.....	D21/552
D314,594	S	*	2/1991	Trossman	.....	D21/552
5,632,375	A	*	5/1997	Mattikow	.....	446/73
D410,506	S	*	6/1999	Lam	.....	D21/552
D432,596	S	*	10/2000	Rosen	.....	D21/552

**OTHER PUBLICATIONS**

Tyco catalog, p. 19, 1987.\*  
Playskool catalog, p. 43, 1987.\*  
Fisher-Price catalog, p. 9, 1984.\*  
FAO Schwarz, p. 44, 1988.\*

\* cited by examiner

*Primary Examiner*—Raphael Barkai  
(74) *Attorney, Agent, or Firm*—Rabin & Berdo, P.C.

(57) **CLAIM**

The ornamental design for a toy bus, as shown and described.

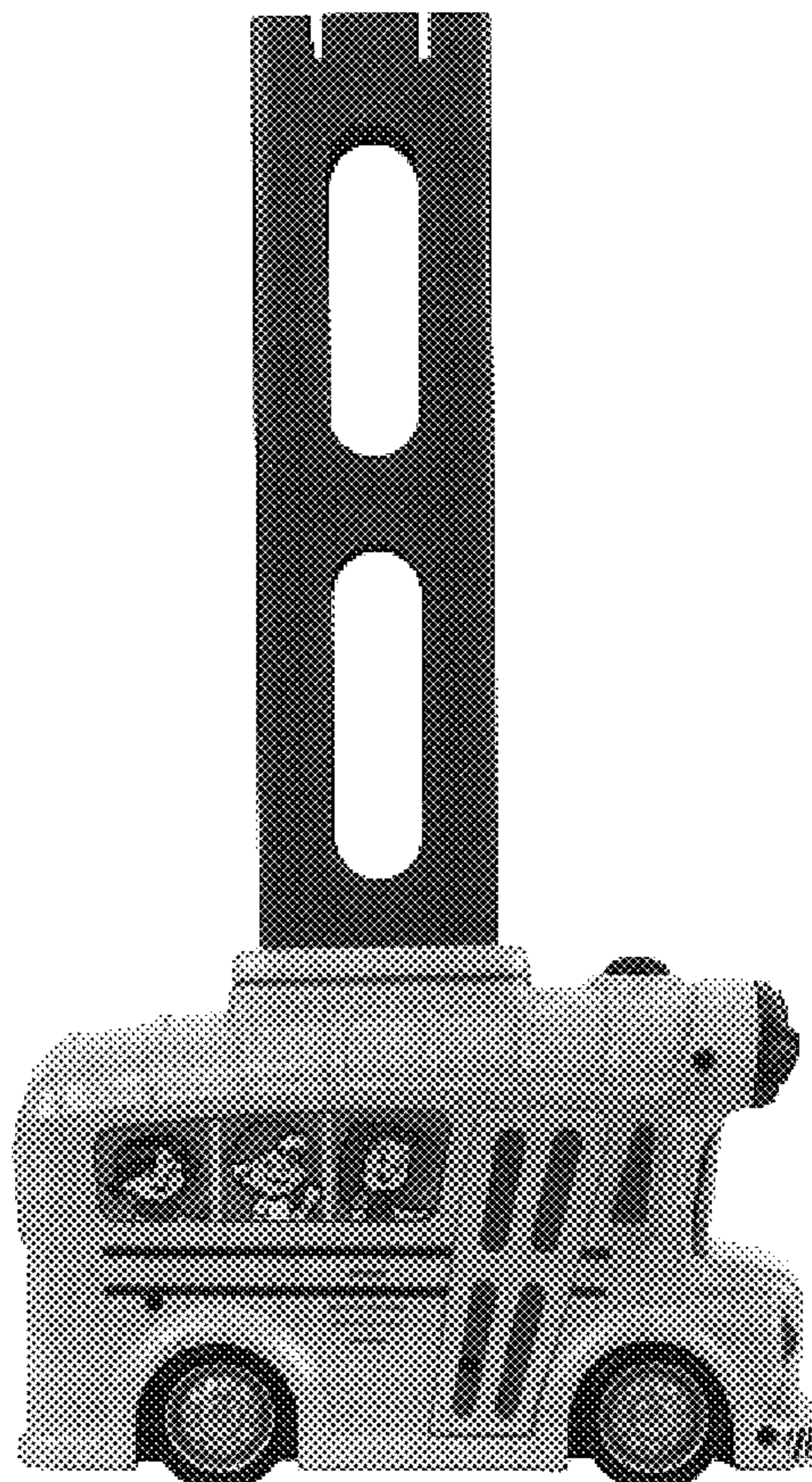
**DESCRIPTION**

The application file contains at least one drawing executed in color. Copies of this patent or patent application publication with color drawing(s) will be provided by the Office upon request and payment of the necessary fee.

FIG. 1 is a front view of a toy bus showing my new design;  
FIG. 2 is a left side view thereof;  
FIG. 3 is a right side view thereof;  
FIG. 4 is a rear view thereof;  
FIG. 5 is a top end view thereof;  
FIG. 6 is a bottom end view thereof; and,  
FIG. 7 is a perspective view thereof.

**1 Claim, 2 Drawing Sheets**

**(2 of 2 Drawing Sheet(s) Filed in Color)**



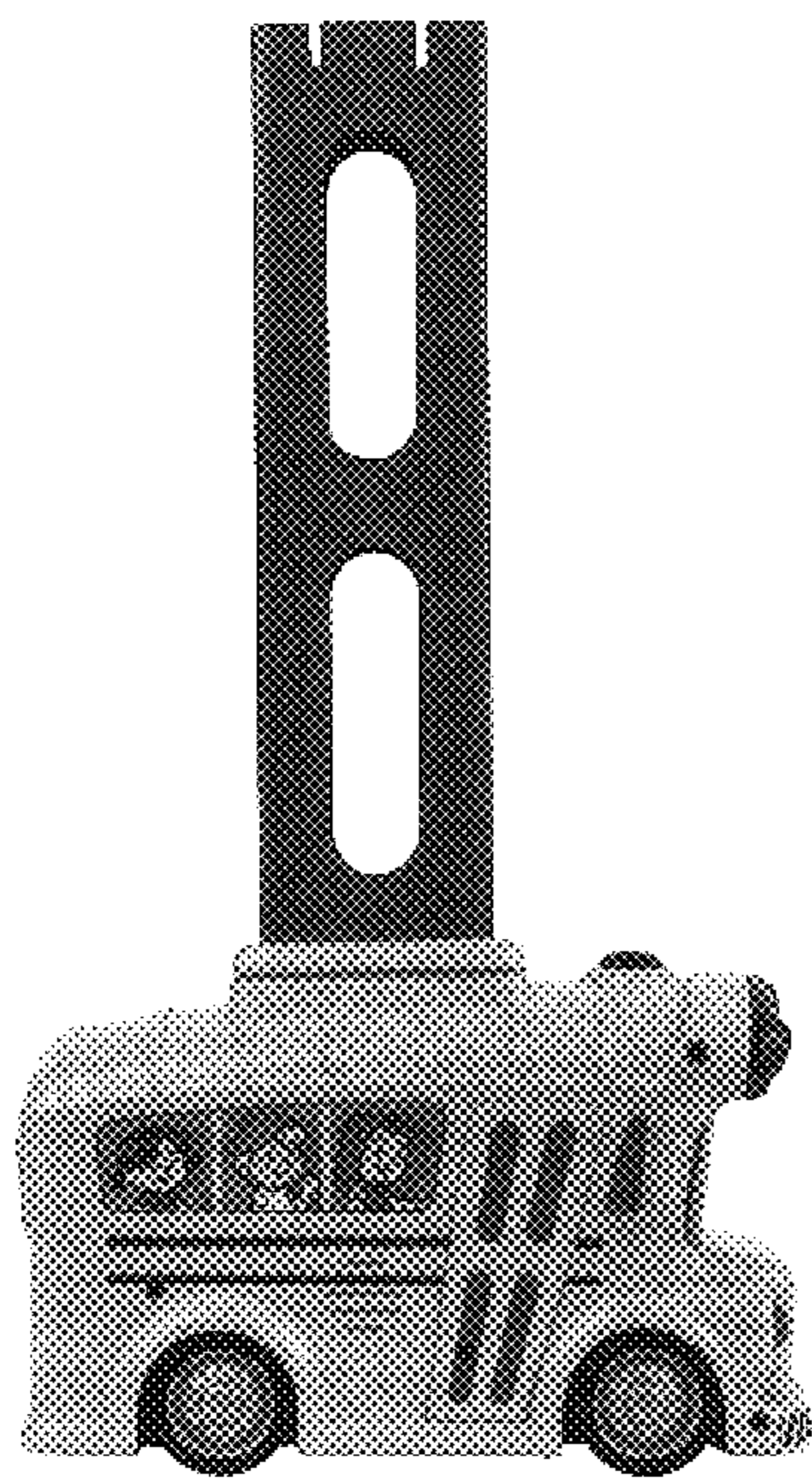


FIG. 2

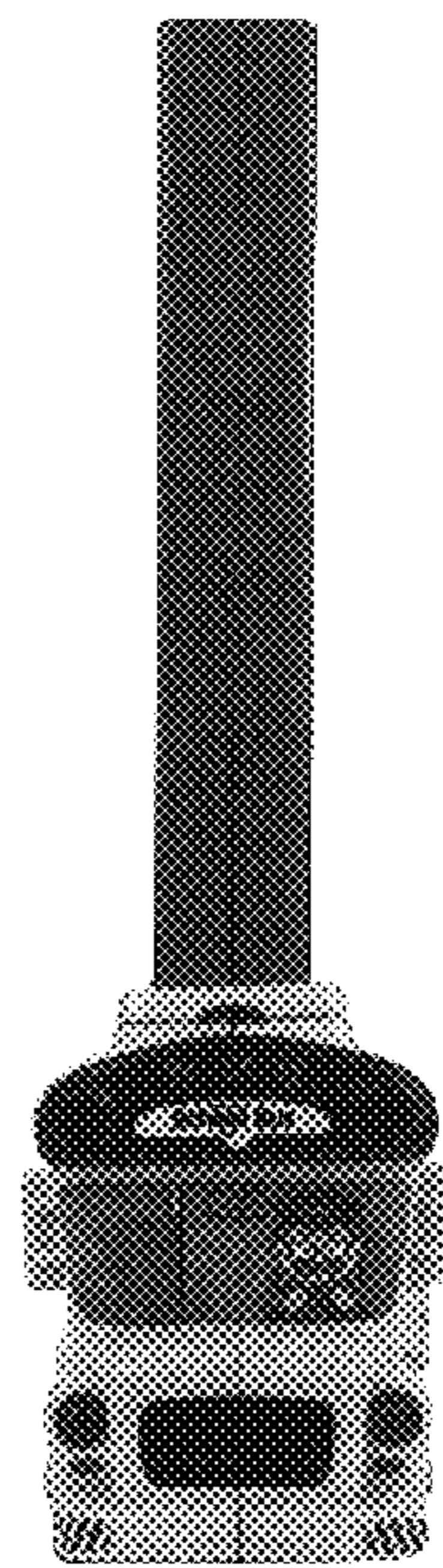


FIG. 1

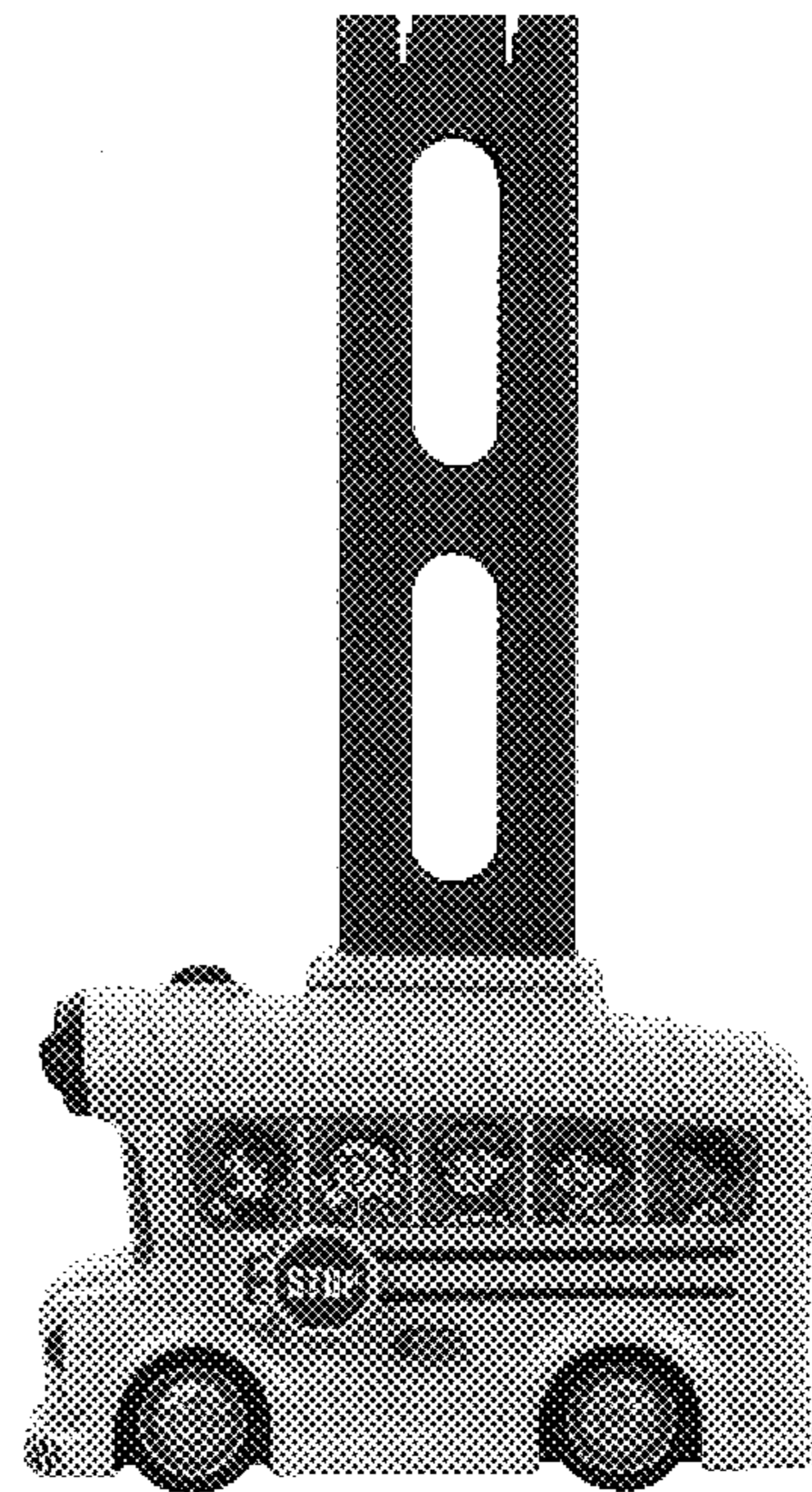


FIG. 3

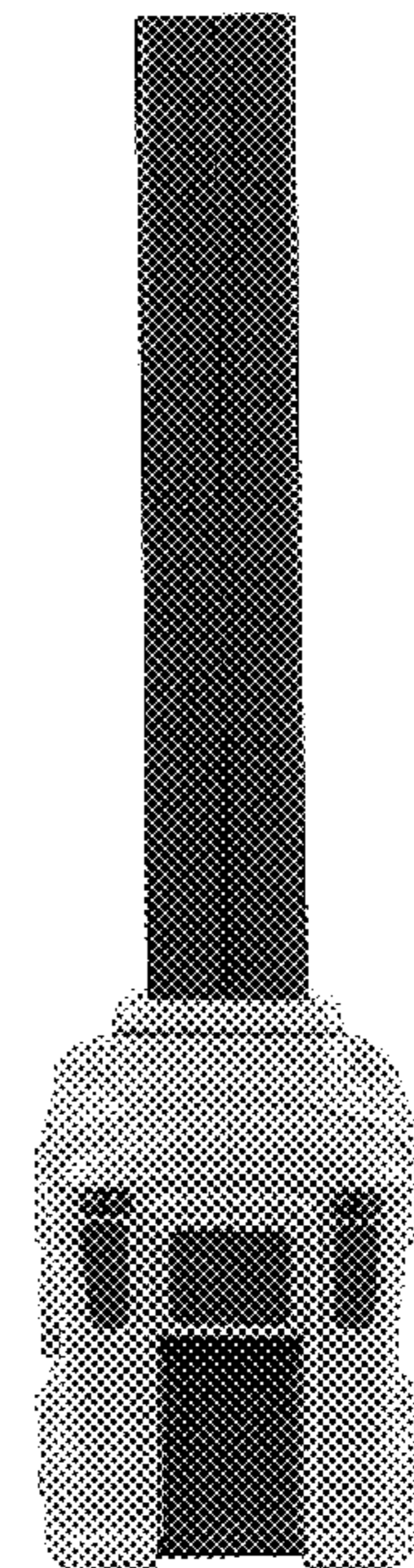


FIG. 4

FIG. 7

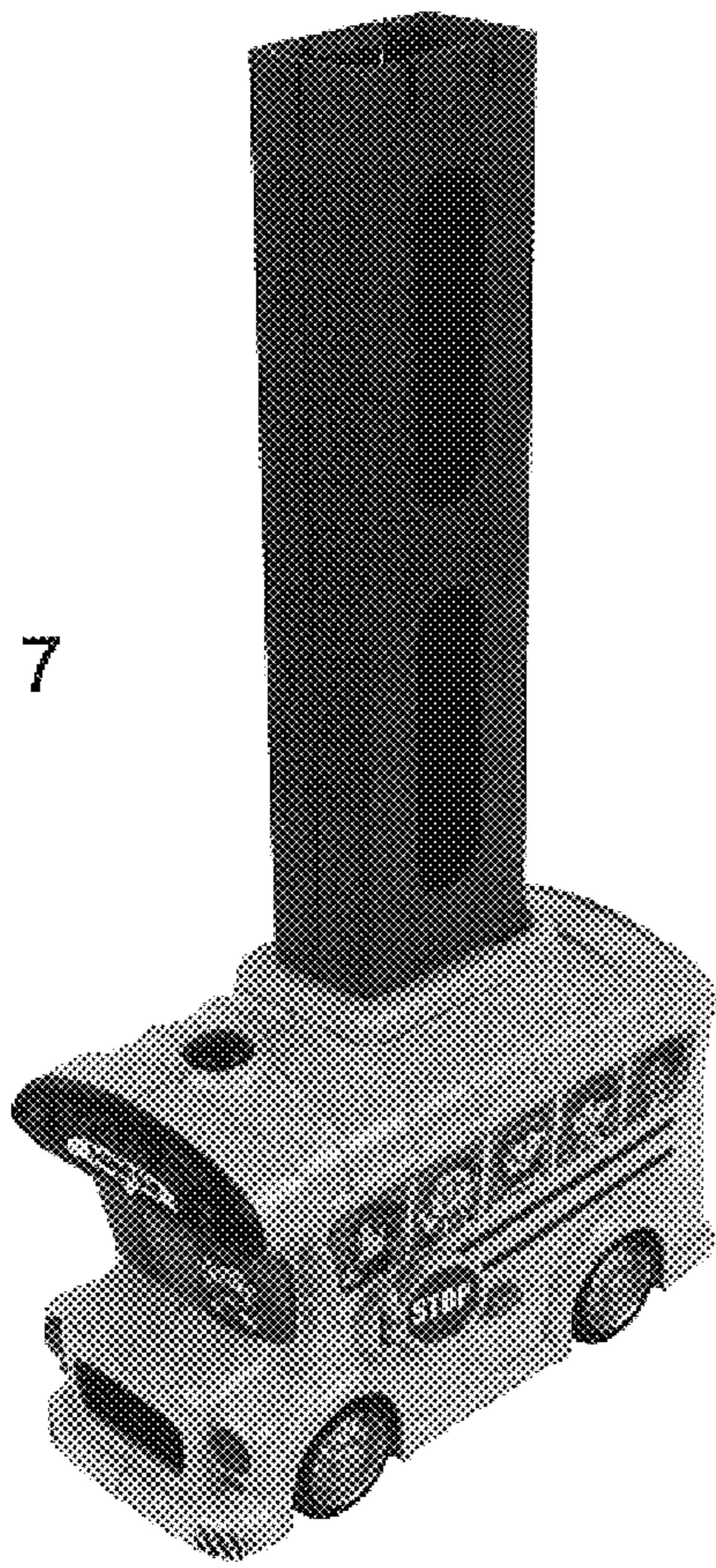


FIG. 5

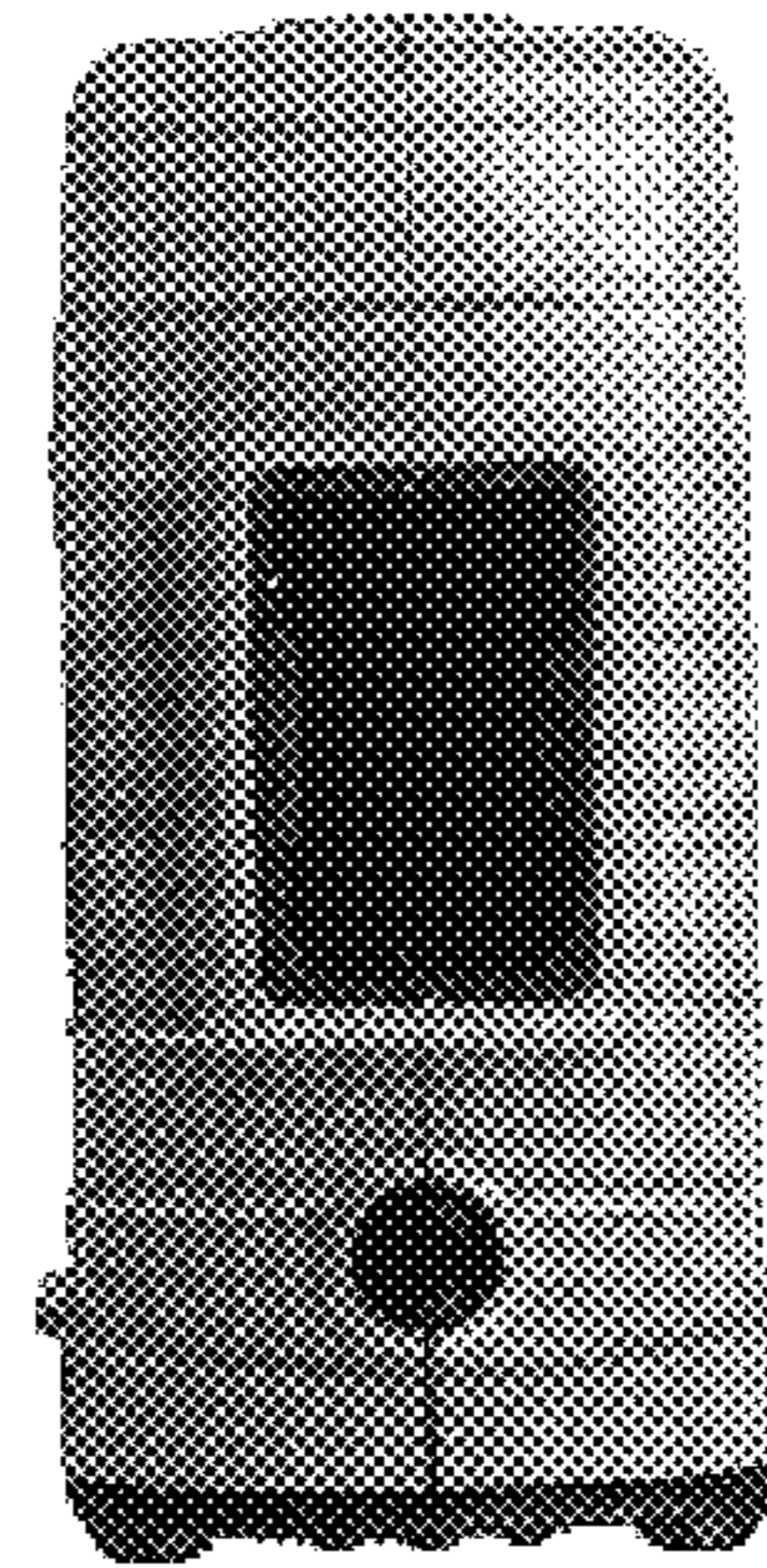


FIG. 6

