



US00D525666S

(12) **United States Design Patent**  
**Yeung**

(10) **Patent No.:** **US D525,666 S**

(45) **Date of Patent:** **\*\* Jul. 25, 2006**

(54) **TOY GOGGLE**

(75) Inventor: **Wa-Sang Yeung**, Kowloon (CN)

(73) Assignee: **Eastcolight (Hong Kong) Limited**,  
Kowloon (CN)

(\*\*) Term: **14 Years**

(21) Appl. No.: **29/212,503**

(22) Filed: **Sep. 2, 2004**

(51) **LOC (8) Cl.** ..... **21-01**

(52) **U.S. Cl.** ..... **D21/483**; D16/312

(58) **Field of Classification Search** ..... D21/483;  
D16/303, 304, 306, 309, 311, 312, 313, 314;  
D24/110.2; D29/110; 446/27; 351/43; 2/424-428,  
2/430, 435, 437, 447

See application file for complete search history.

(56) **References Cited**

U.S. PATENT DOCUMENTS

D290,710 S	*	7/1987	Aliberti	.....	D16/311
D292,329 S	*	10/1987	Vitaloni	.....	D16/312
D322,082 S	*	12/1991	Bolle	.....	D16/303
D347,233 S	*	5/1994	Hewitt et al.	.....	D16/313
D351,850 S	*	10/1994	Bolle	.....	D16/304

D407,735 S	*	4/1999	Arnette	.....	D16/312
D427,255 S	*	6/2000	Leung	.....	D21/617
6,092,895 A	*	7/2000	Sato et al.	.....	351/43
D434,061 S	*	11/2000	Chiang	.....	D16/311
D450,833 S	*	11/2001	Olivieri	.....	D24/110.2
D460,778 S	*	7/2002	Chiang	.....	D16/311
6,460,995 B1	*	10/2002	Chen-Lieh	.....	351/43
D488,183 S	*	4/2004	Grosjean	.....	D16/315

\* cited by examiner

*Primary Examiner*—Holly Baynham

*Assistant Examiner*—Cynthia M. Chin

(74) *Attorney, Agent, or Firm*—Alix, Yale & Ristas, LLP

(57) **CLAIM**

The ornamental design for a toy goggle, as shown and described.

**DESCRIPTION**

FIG. 1 is a front elevational view of a toy goggle showing my new design;

FIG. 2 is a rear elevational view thereof;

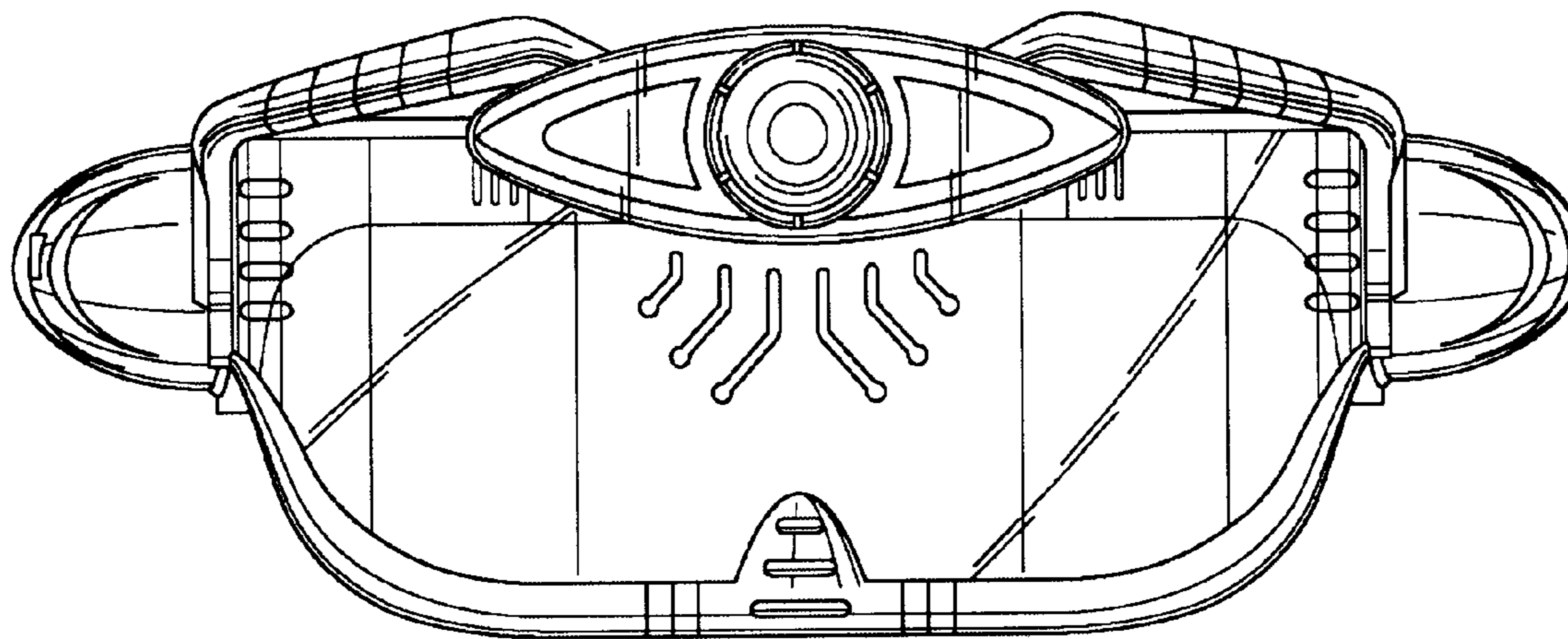
FIG. 3 is a left side elevational view thereof;

FIG. 4 is a right side elevational view thereof;

FIG. 5 is a top plan view thereof; and,

FIG. 6 is a bottom plan view thereof.

**1 Claim, 4 Drawing Sheets**



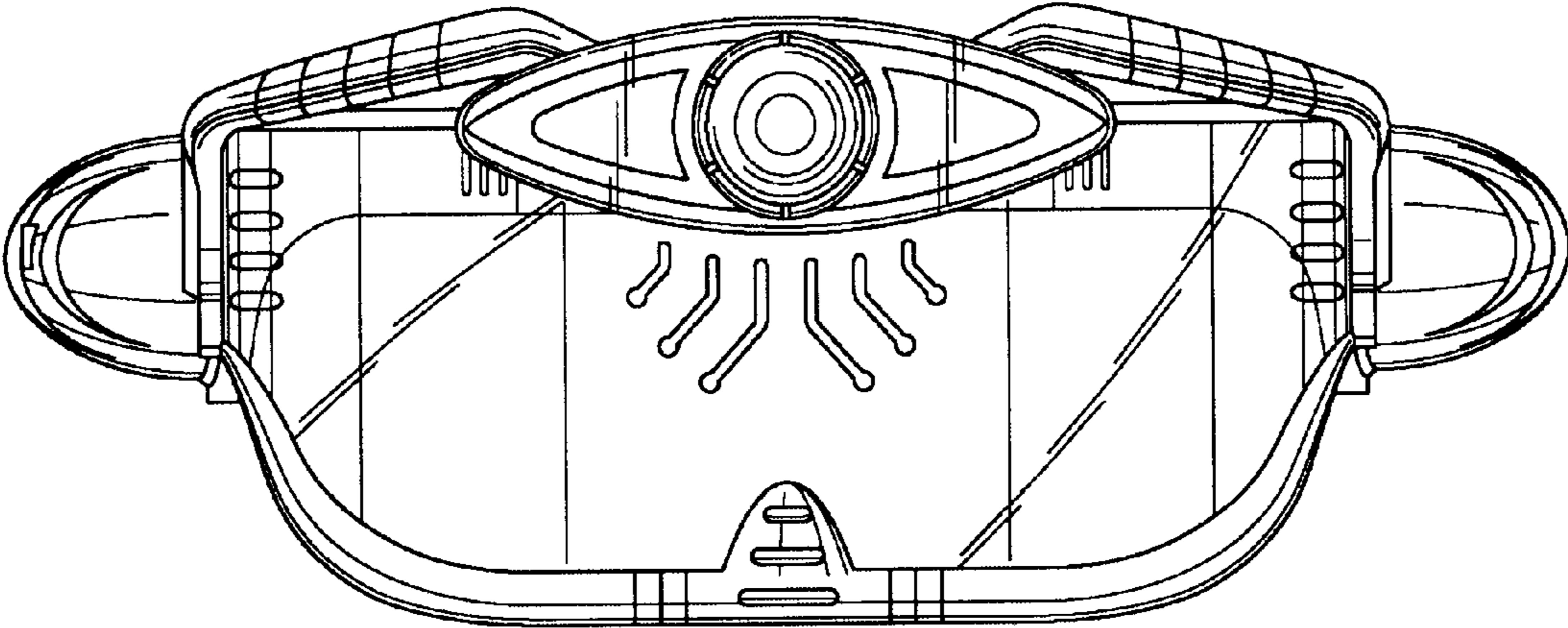


FIG. 1

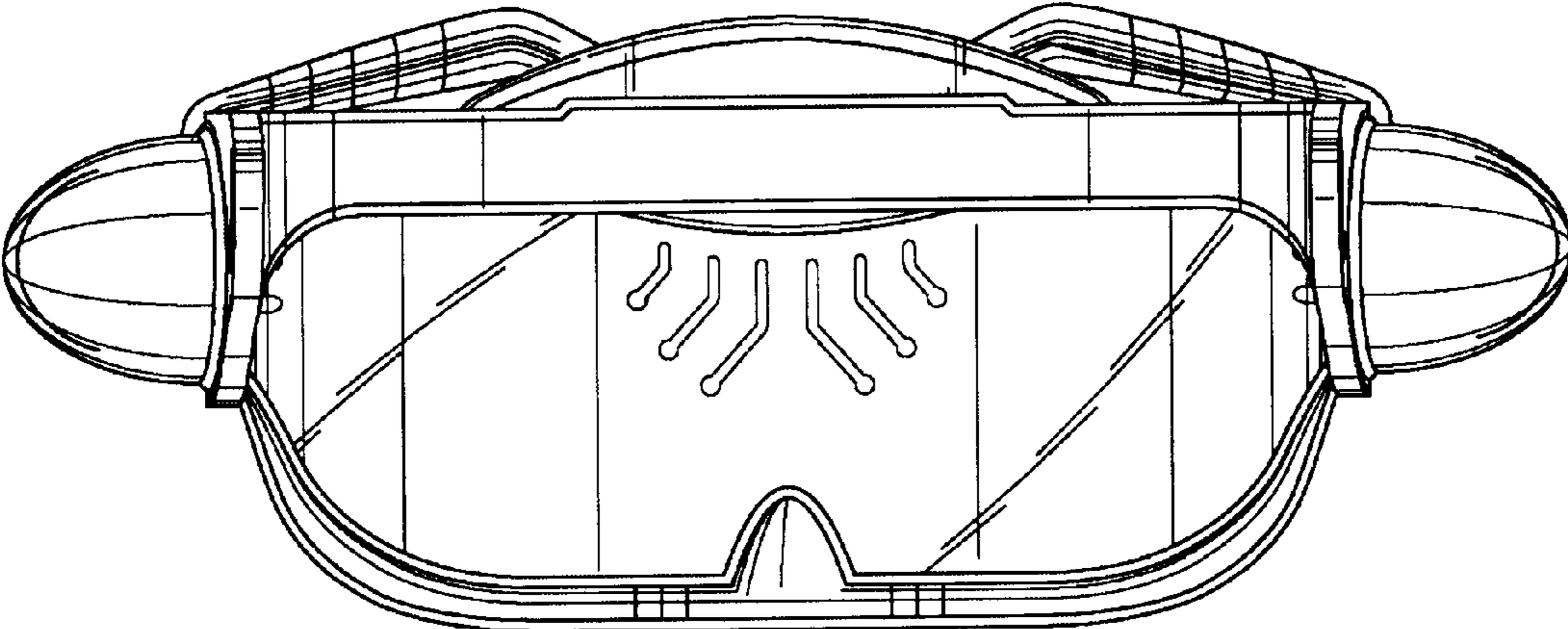


FIG. 2

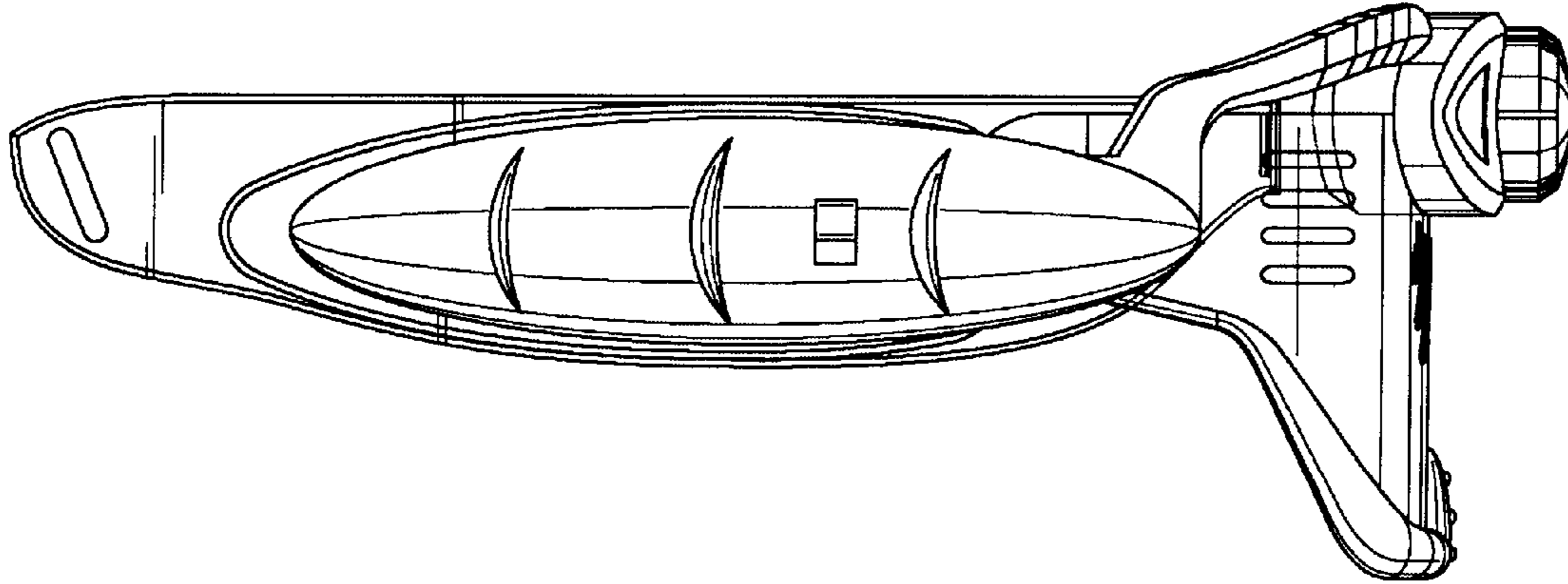


FIG. 3

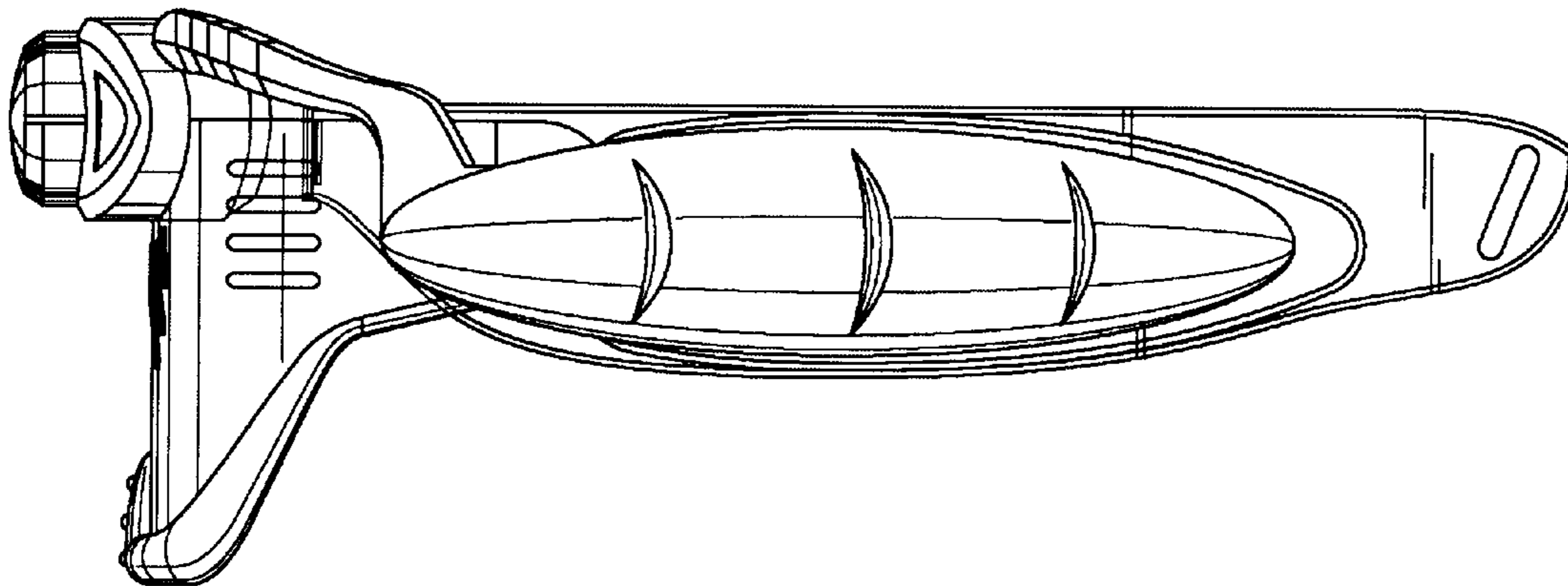


FIG. 4

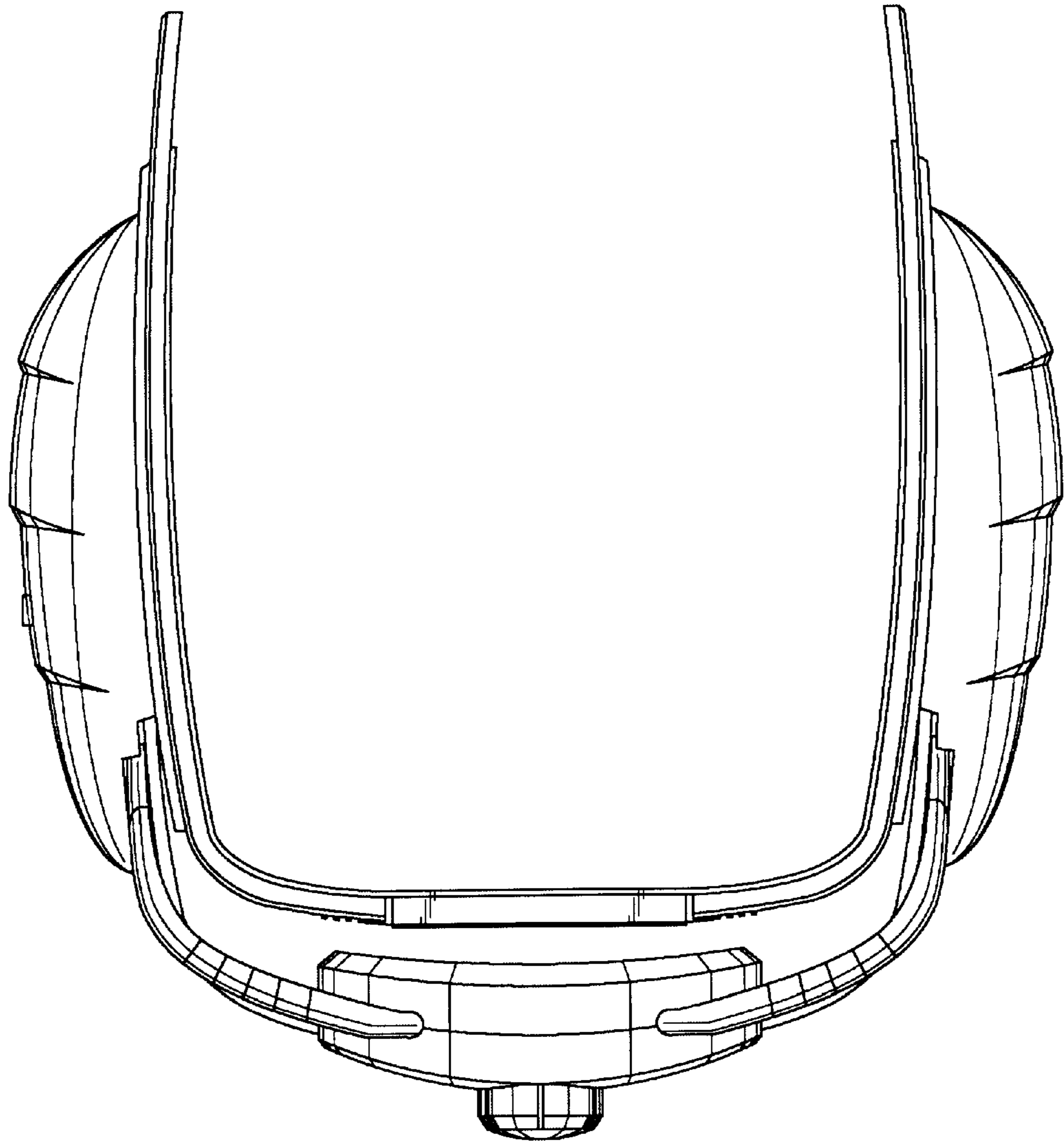


FIG. 5

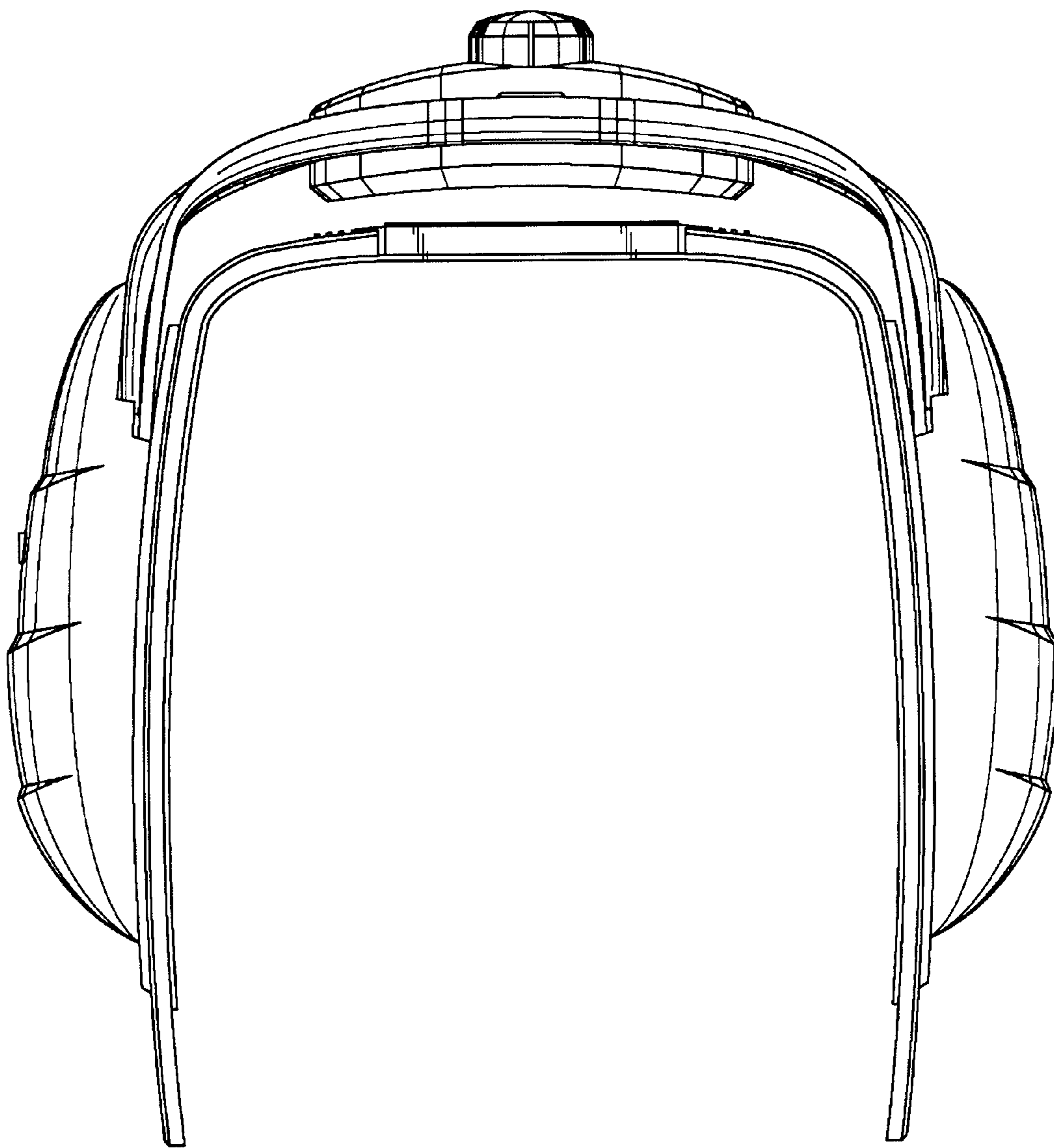


FIG. 6