



US00D525665S

(12) **United States Design Patent**
Karlsson

(10) **Patent No.:** **US D525,665 S**
(45) **Date of Patent:** **** Jul. 25, 2006**

(54) **GAMING TERMINAL**

(75) Inventor: **Göran Karlsson**, Växjö (SE)

(73) Assignee: **Essnet Interactive AB**, Stockholm (SE)

(**) Term: **14 Years**

(21) Appl. No.: **29/243,829**

(22) Filed: **Dec. 1, 2005**

Related U.S. Application Data

(62) Division of application No. 29/202,570, filed on Apr. 2, 2004.

(30) **Foreign Application Priority Data**

Oct. 6, 2003 (SE) 03-0894

(51) **LOC (8) Cl.** **21-03**

(52) **U.S. Cl.** **D21/369; D21/329**

(58) **Field of Classification Search** D21/325,
D21/329, 369-371, 385; 273/138.1; 463/16-17,
463/20, 25, 42, 46-47

See application file for complete search history.

(56) **References Cited**

U.S. PATENT DOCUMENTS

D449,080 S * 10/2001 Brettschneider D21/370

D459,402 S * 6/2002 Wurz et al. D21/325
D464,377 S * 10/2002 Wurz et al. D21/325
D466,558 S * 12/2002 Hirato et al. D21/325
D495,755 S * 9/2004 Wurz et al. D21/370
D496,407 S * 9/2004 Gadda et al. D21/370
D508,719 S * 8/2005 de Haas D21/369
2004/0192444 A1 * 9/2004 Morrison 463/46

* cited by examiner

Primary Examiner—Sandra L. Morris
(74) *Attorney, Agent, or Firm*—Albihns Stockholm

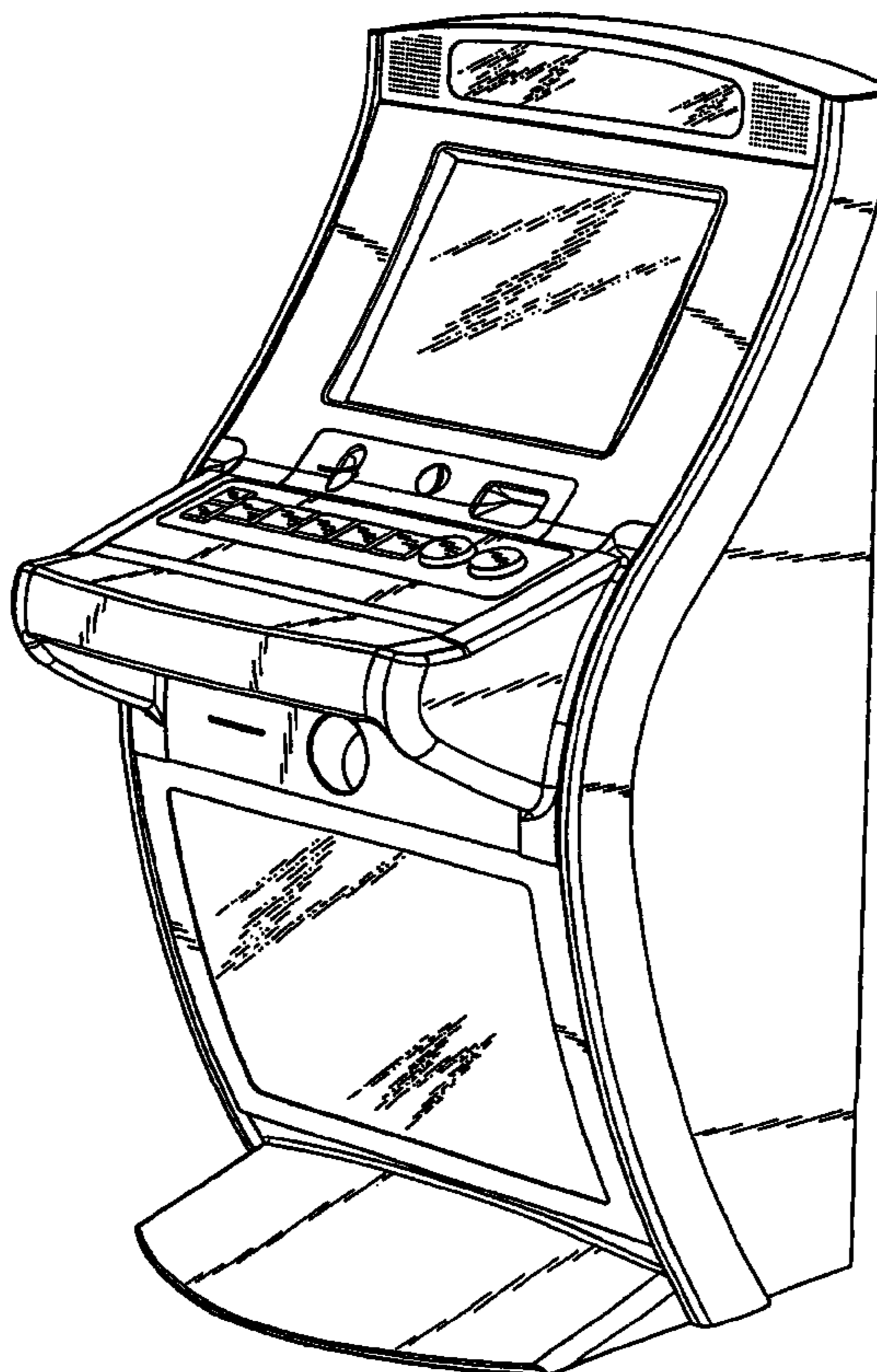
(57) **CLAIM**

The ornamental design for a gaming terminal, as shown.

DESCRIPTION

FIG. 1 is a left side perspective view of a gaming terminal according to my new design;
FIG. 2 is a front view thereof;
FIG. 3 is a left side view thereof;
FIG. 4 is a right side view thereof;
FIG. 5 is a rear view thereof;
FIG. 6 is a top plan view thereof; and,
FIG. 7 is a bottom plan view thereof.

1 Claim, 6 Drawing Sheets



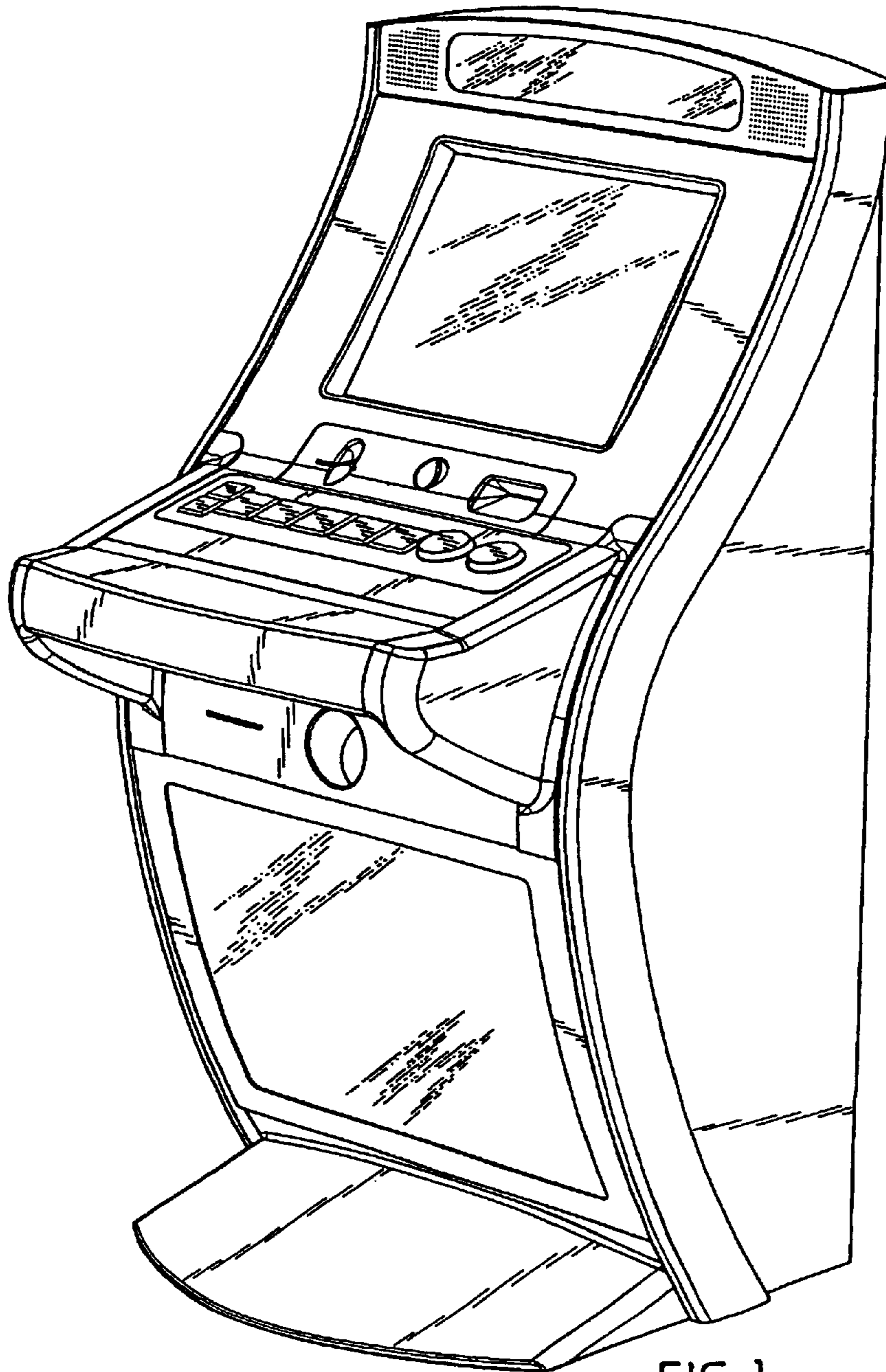


FIG 1

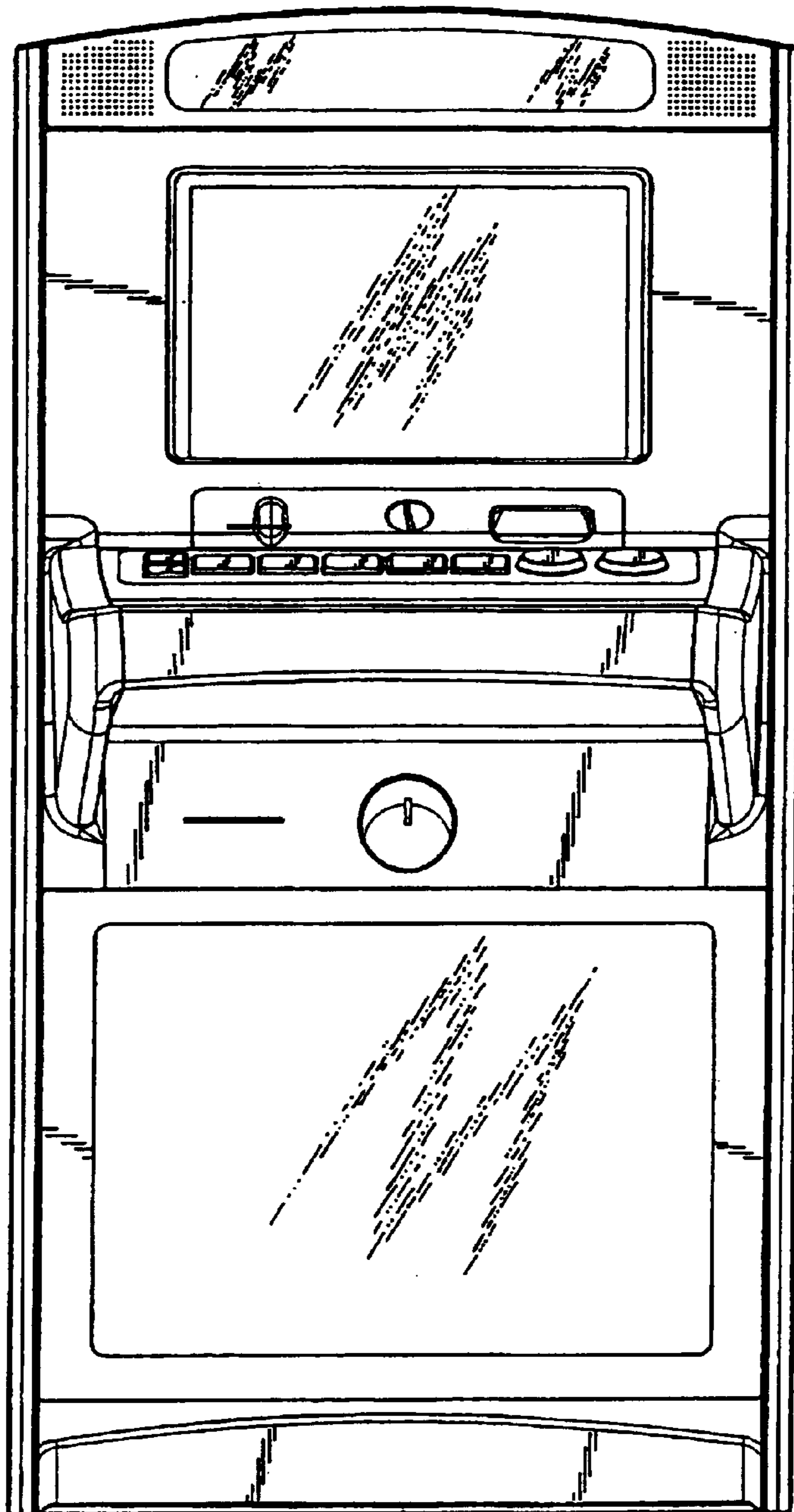


FIG 2

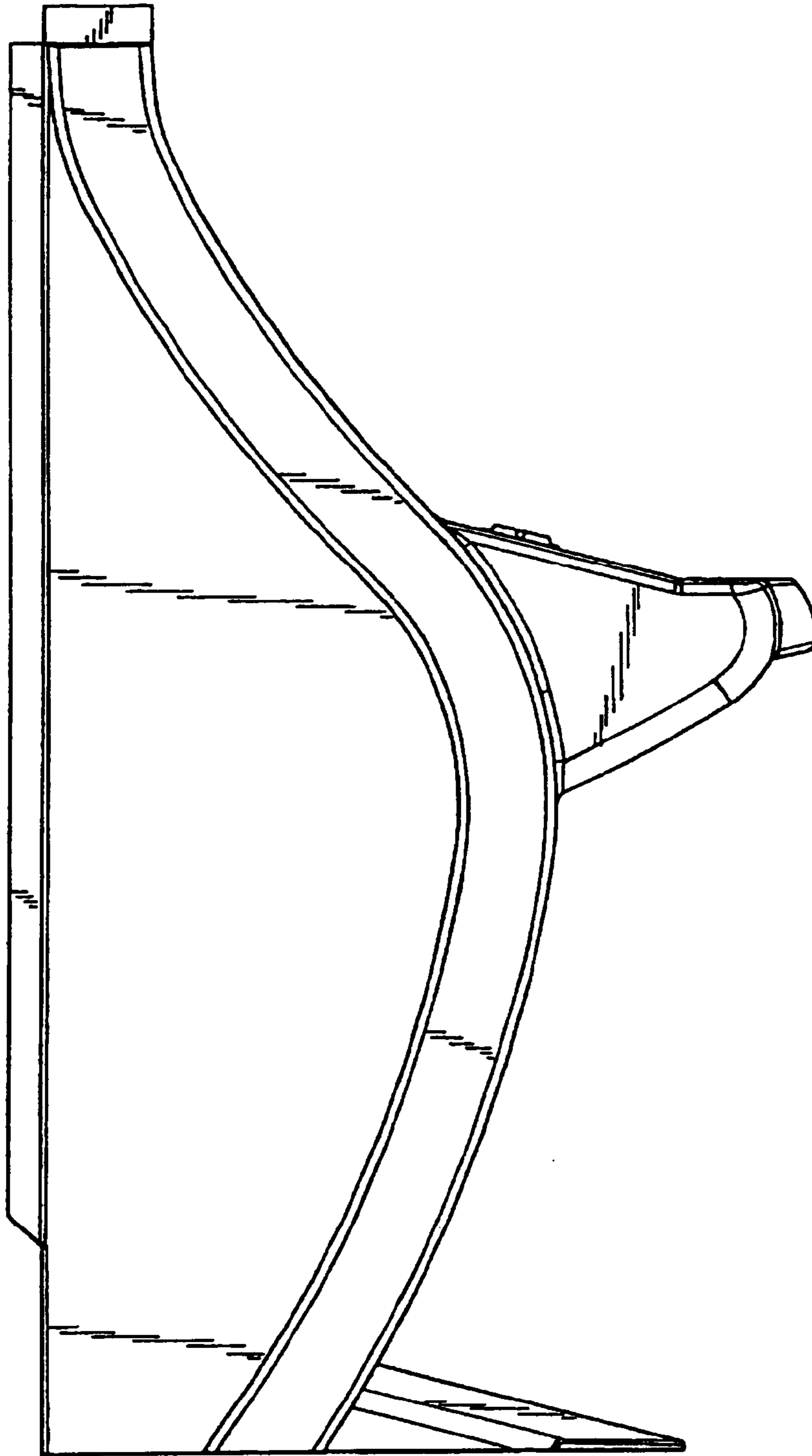


FIG 3

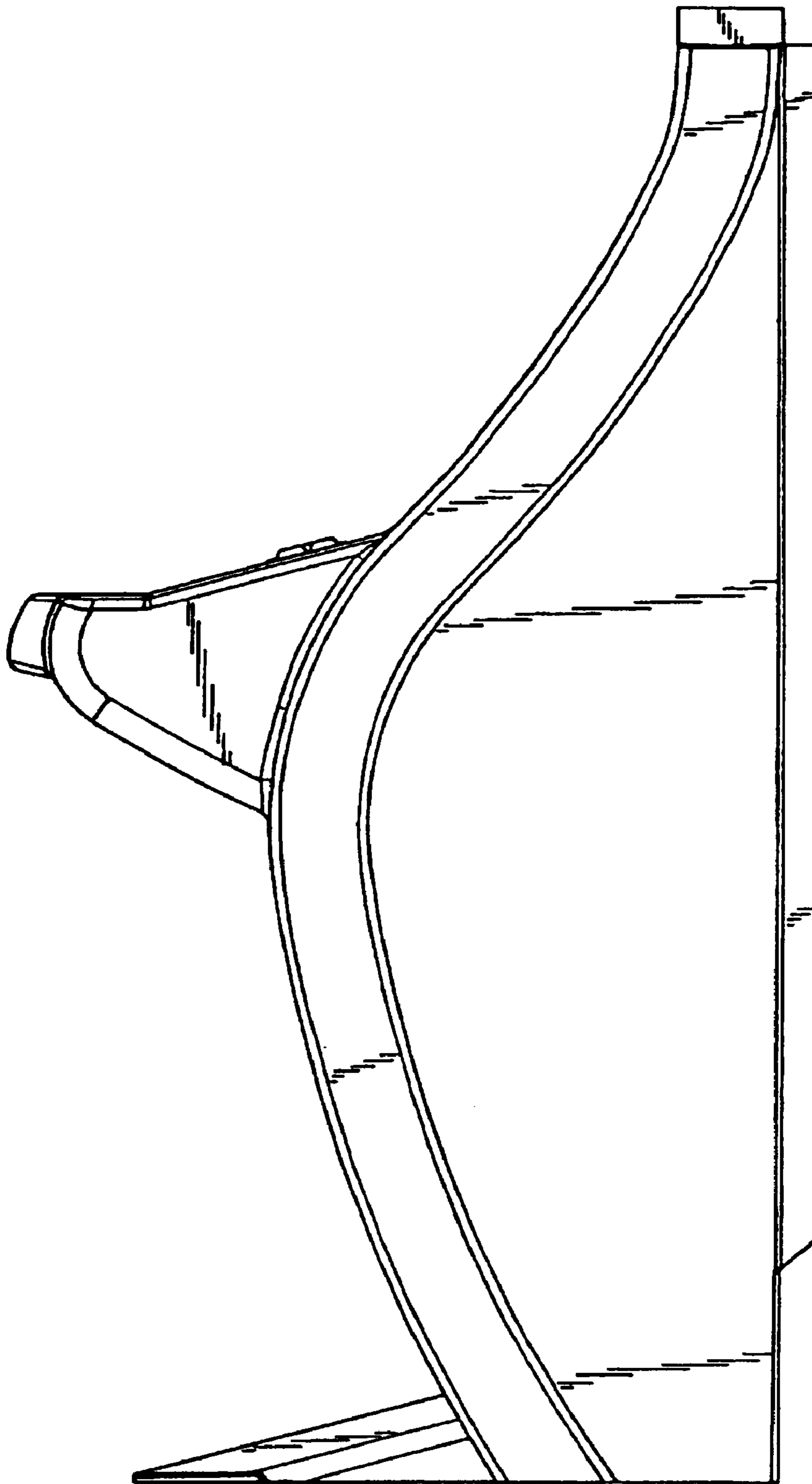


FIG 4

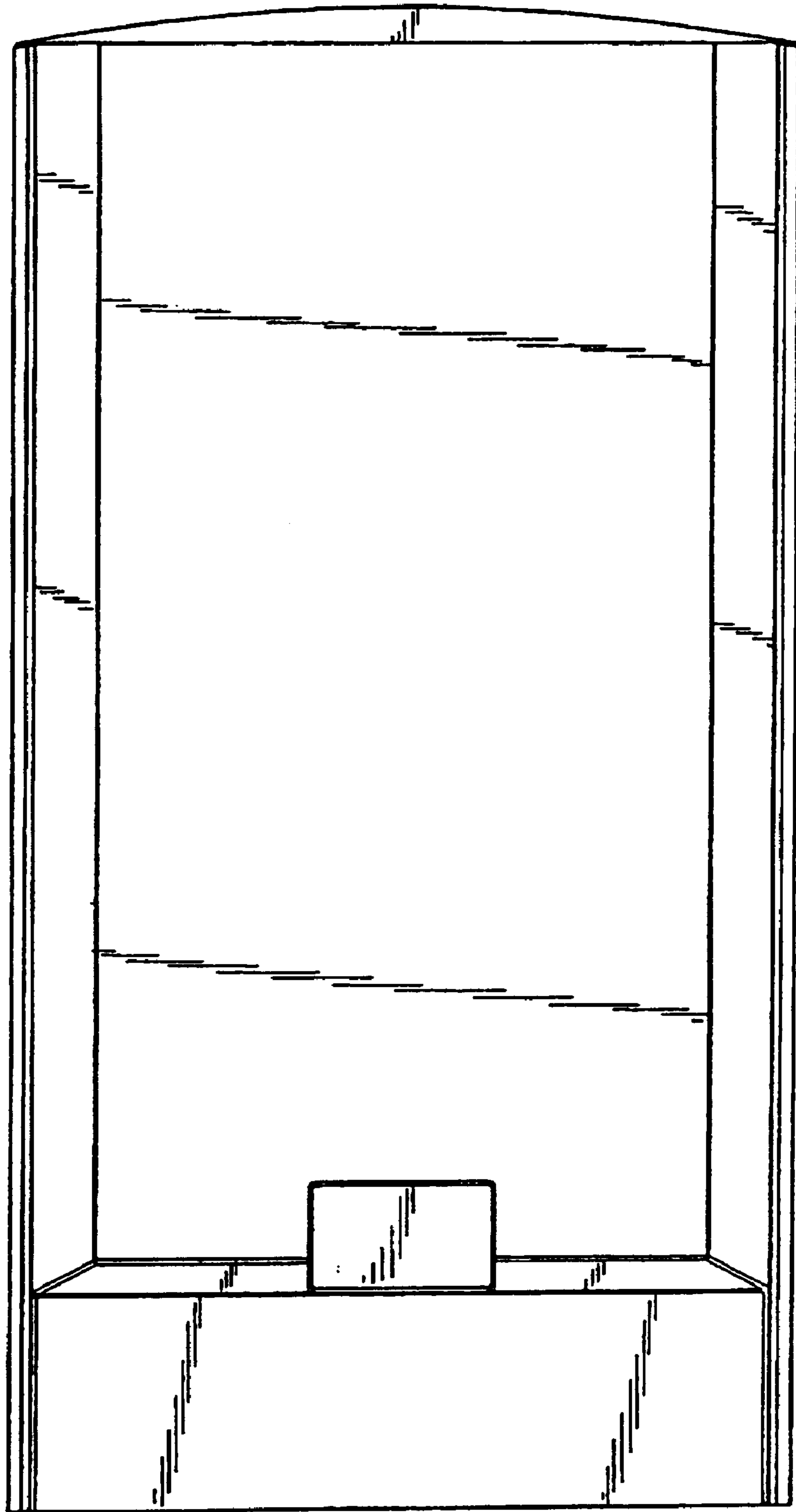


FIG 5

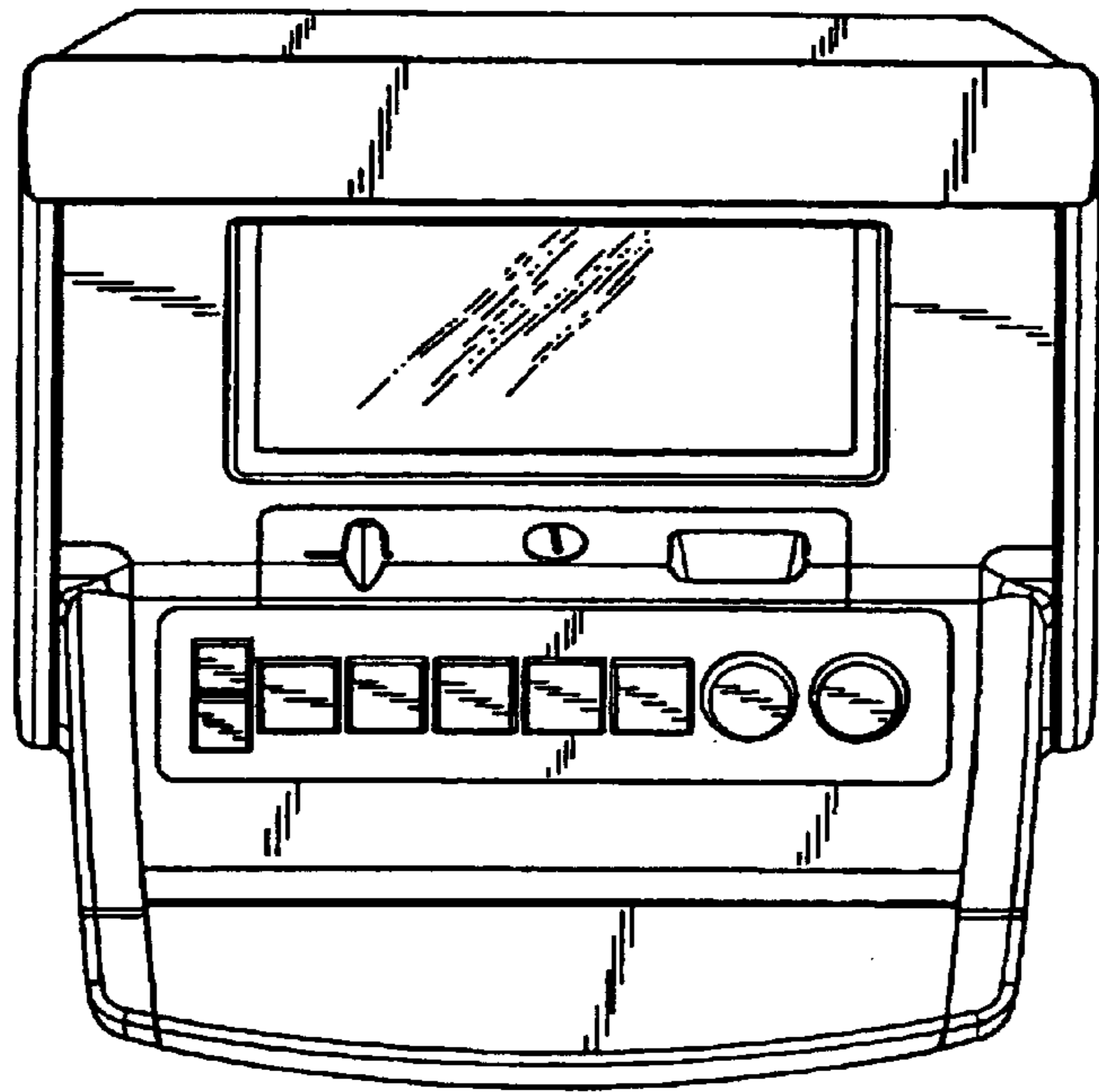


FIG 6

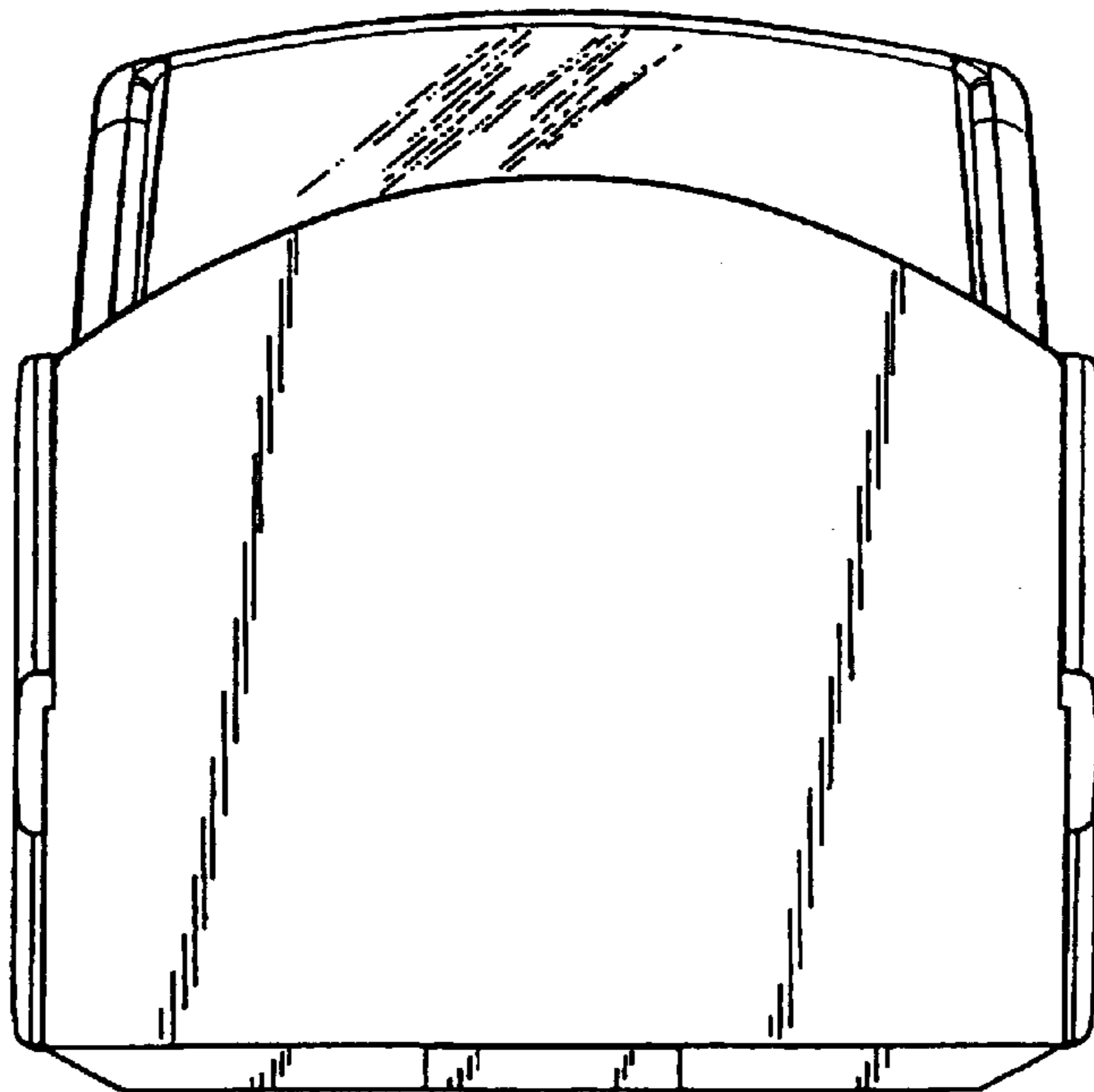


FIG 7