



US00D525662S

(12) **United States Design Patent**  
**Quinn**

(10) **Patent No.:** **US D525,662 S**

(45) **Date of Patent:** **\*\* Jul. 25, 2006**

- (54) **TABLETOP BASEBALL GAME**
- (75) **Inventor:** **Charles T. Quinn**, Dover, MA (US)
- (73) **Assignee:** **Franklin Sports, Inc.**, Stoughton, MA (US)
- (\*\*) **Term:** **14 Years**

- D227,586 S \* 7/1973 Maeda ..... D21/315
- 4,936,579 A \* 6/1990 Barlow ..... 273/108.32
- 4,976,434 A \* 12/1990 Wikner ..... 273/108.31
- D320,415 S \* 10/1991 Wikner ..... D21/315
- D346,918 S \* 5/1994 Faiola ..... D6/470
- 5,407,204 A \* 4/1995 Meyer, III ..... 273/244.2
- D470,894 S \* 2/2003 Oister et al. .... D21/315

\* cited by examiner

- (21) **Appl. No.:** **29/228,088**
- (22) **Filed:** **Apr. 19, 2005**

*Primary Examiner*—Prabhakar Deshmukh  
(74) *Attorney, Agent, or Firm*—Joseph B. Bowman

- (51) **LOC (8) Cl.** ..... **21-01**
- (52) **U.S. Cl.** ..... **D21/315**
- (58) **Field of Classification Search** ..... D21/314,  
D21/315, 339, 355, 356; 273/108.3, 259,  
273/108.31, 108.32, 108.33, 244.1, 244.2,  
273/277, 317.6, 317.7, 236, 317.9, 123 R,  
273/126 R

(57) **CLAIM**

The ornamental design for a tabletop baseball game, as shown and described.

See application file for complete search history.

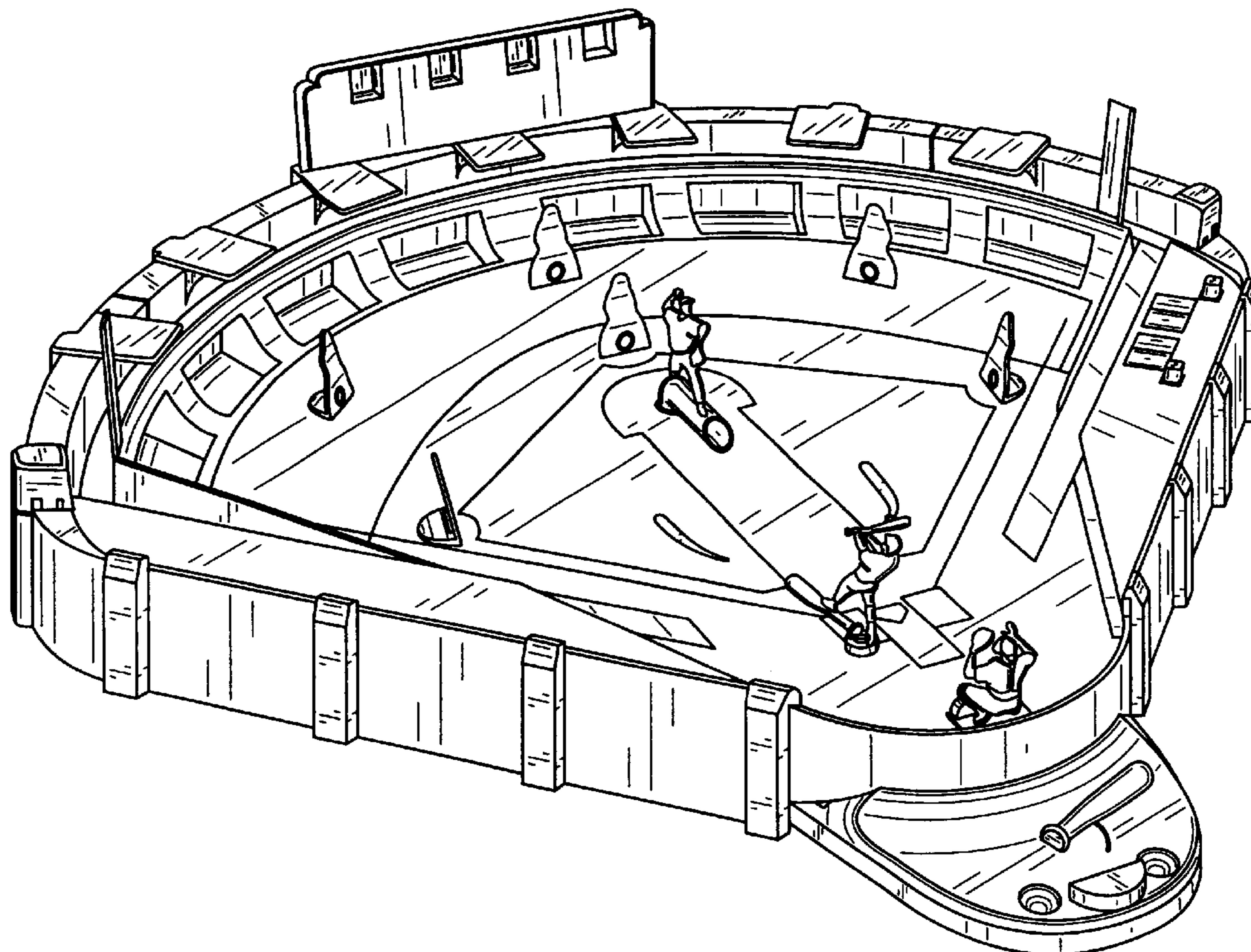
**DESCRIPTION**

FIG. 1 is a prospective view of a tabletop baseball game showing a preferred embodiment of my new design; FIG. 2 is a front elevational view thereof; FIG. 3 is a rear elevational view thereof; FIG. 4 is a left side elevational view thereof; FIG. 5 is a right side elevational view thereof; FIG. 6 is a top plan view thereof; and, FIG. 7 is a bottom plan view thereof.

- (56) **References Cited**  
U.S. PATENT DOCUMENTS

- D87,400 S \* 7/1932 Minor ..... D21/315
- 2,462,170 A \* 2/1949 Dube ..... 273/108.32
- 3,009,452 A \* 11/1961 Barber et al. .... 124/27

**1 Claim, 7 Drawing Sheets**



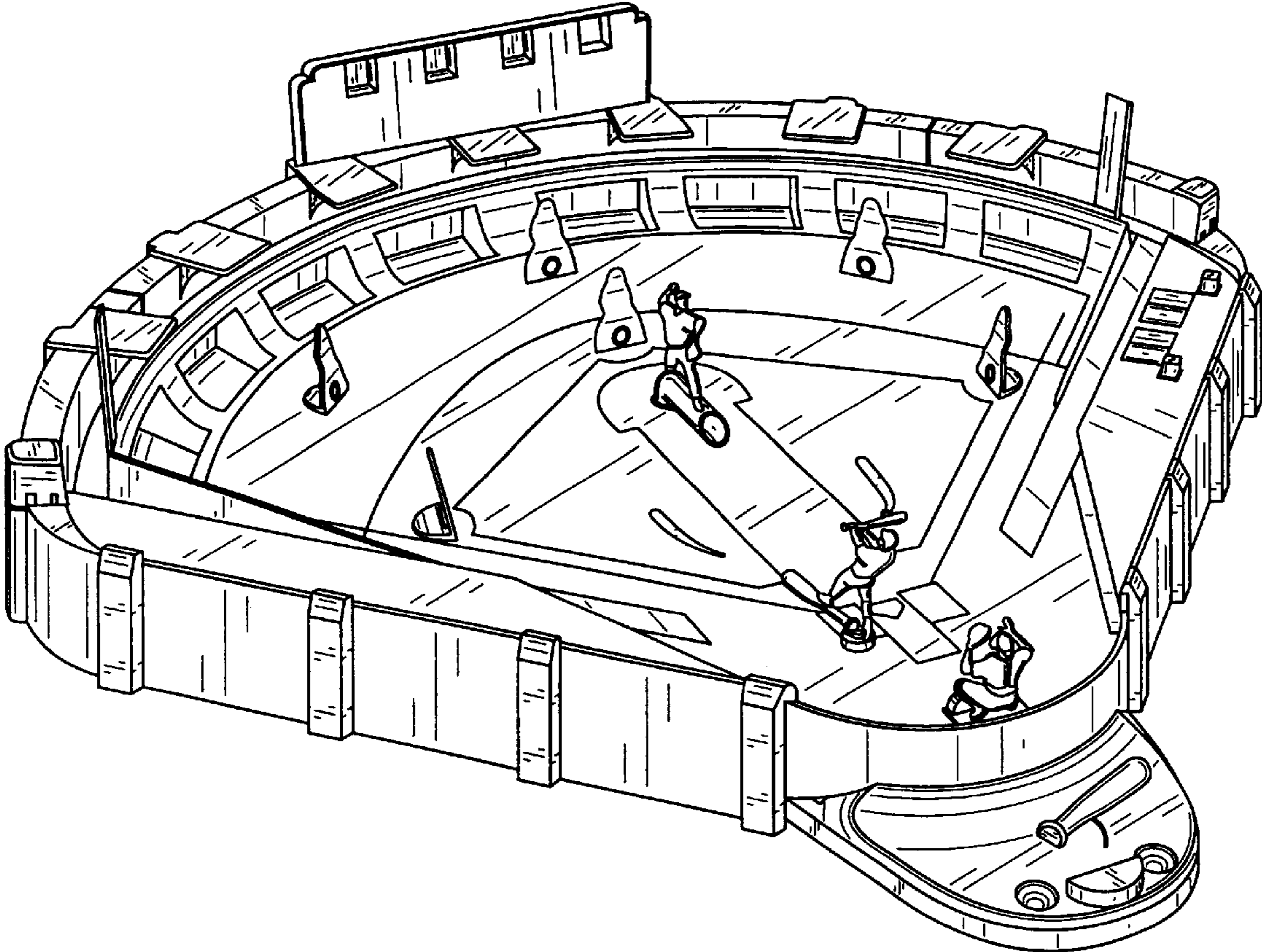


FIG. 1

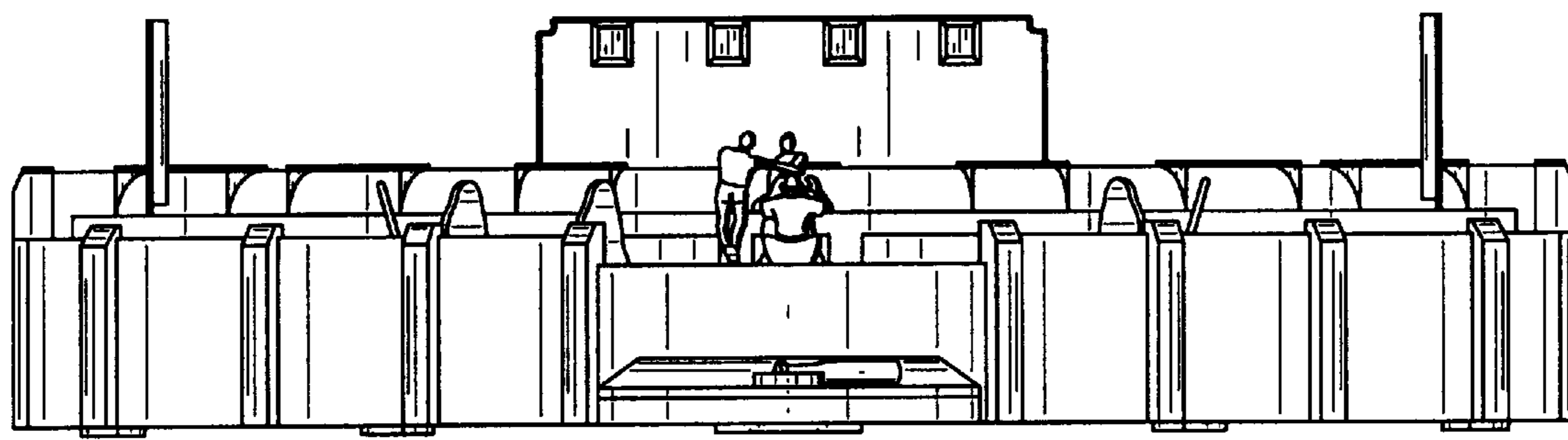


FIG. 2

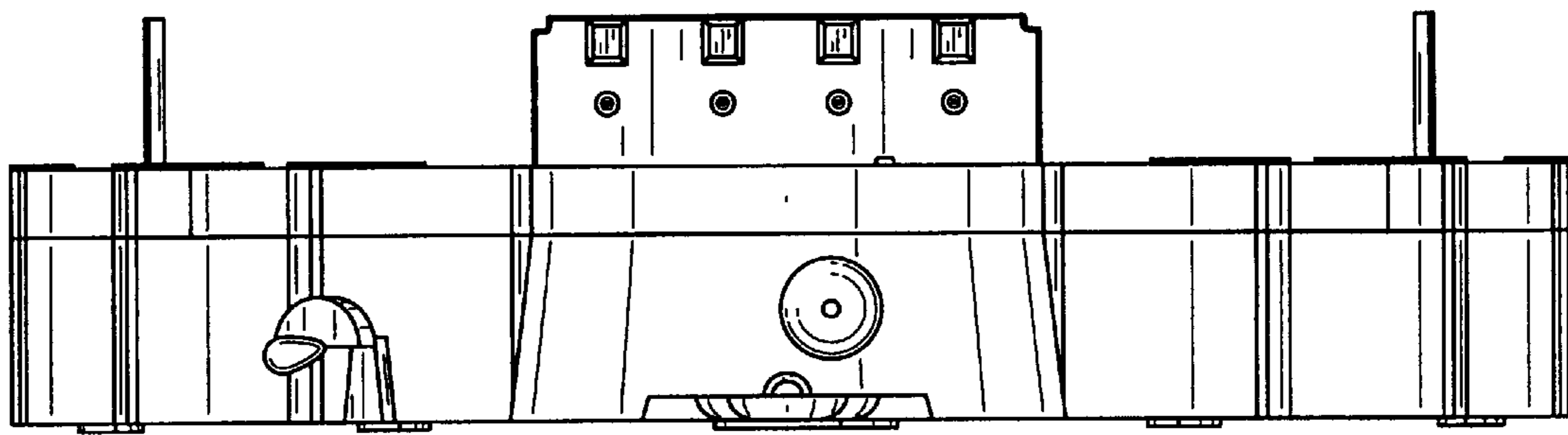


FIG. 3

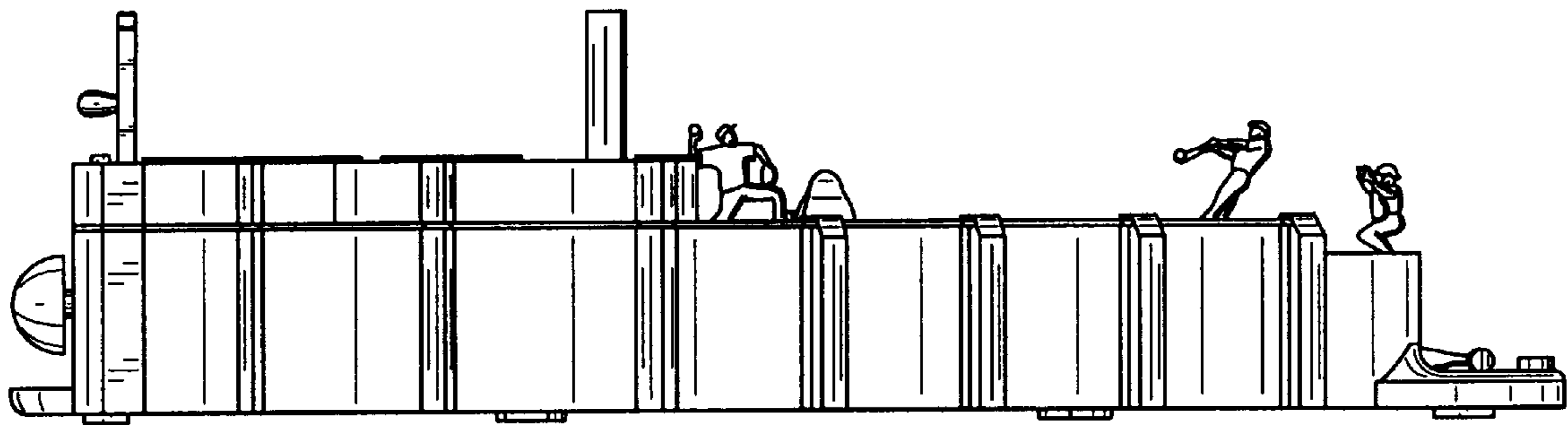


FIG. 4

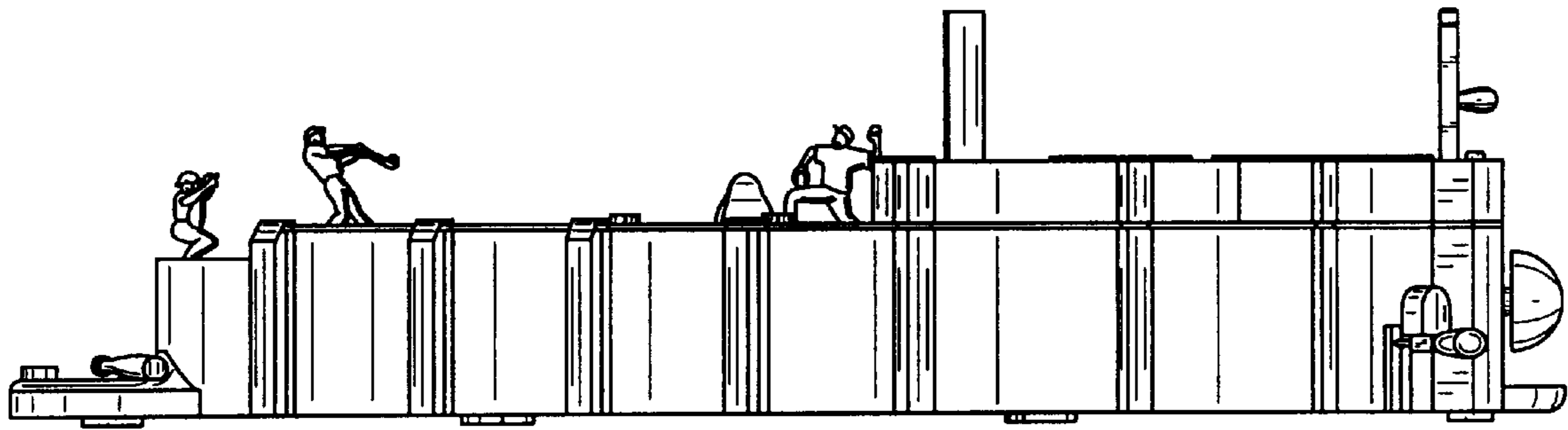


FIG. 5



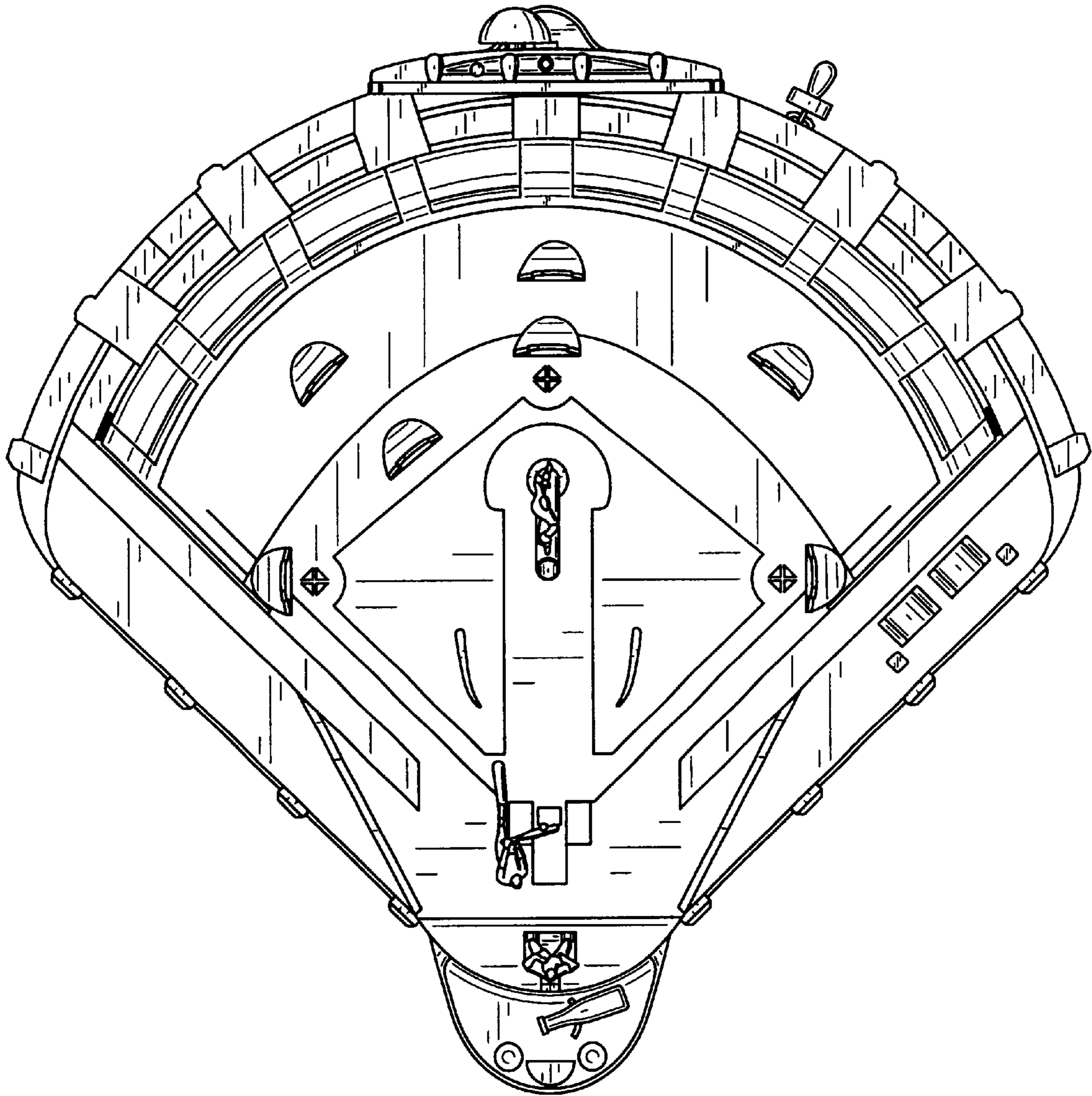


FIG. 6

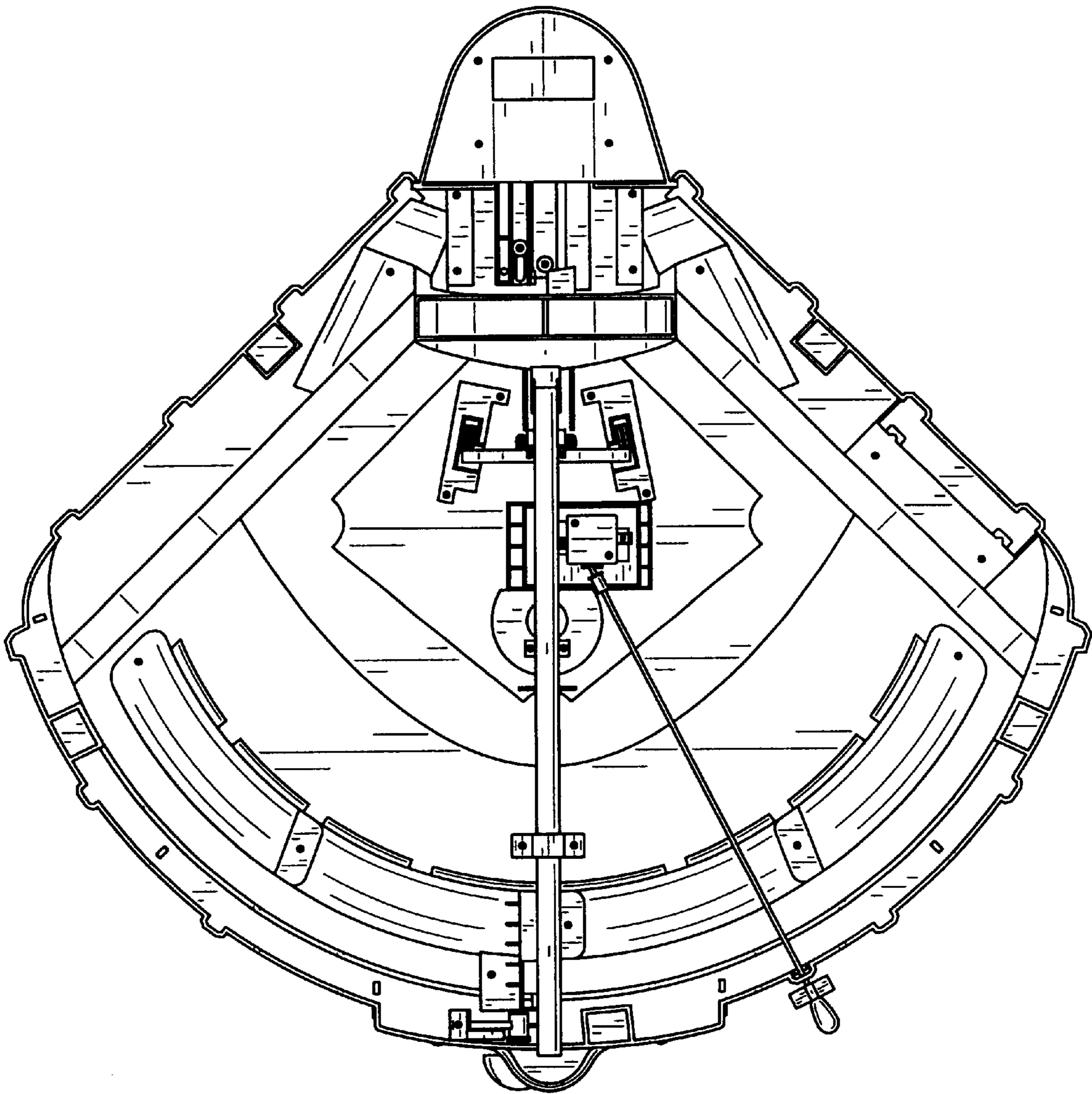


FIG. 7