



US00D525661S

(12) **United States Design Patent**
Hussaini et al.

(10) **Patent No.:** **US D525,661 S**

(45) **Date of Patent:** **** Jul. 25, 2006**

(54) **HANGING DISPLAY DEVICE FOR AN ARTICLE**

(75) Inventors: **Saied Hussaini**, Miami, FL (US); **Marc Iacovelli**, Miami, FL (US)

(73) Assignee: **Rally Manufacturing, Inc.**, Miami, FL (US)

(**) Term: **14 Years**

(21) Appl. No.: **29/231,815**

(22) Filed: **Jun. 10, 2005**

(51) **LOC (8) Cl.** **20-03**

(52) **U.S. Cl.** **D20/43**

(58) **Field of Classification Search** D20/10, D20/11, 34, 40, 41, 42, 43, 44, 99; D9/315, D9/320, 328; D8/363, 367, 380; 40/322, 40/617, 642.01, 642.02, 661.08, 672, 771, 40/788; 223/85, 87, 91, 97, 98, DIG. 2; 248/125.2
See application file for complete search history.

(56) **References Cited**

U.S. PATENT DOCUMENTS

D167,155 S	*	7/1952	Leach	D6/326
D182,057 S	*	2/1958	Bauman	D6/315
D190,843 S	*	7/1961	Levin et al.	D6/326
3,414,175 A	*	12/1968	Brosk	223/85
D222,513 S	*	10/1971	Hart et al.	D6/315
D242,764 S	*	12/1976	Kamins	D9/434
D250,805 S	*	1/1979	Mygind et al.	D8/380
4,706,347 A	*	11/1987	Lindsay	24/517

D328,240 S	*	7/1992	Polski	D8/367
D353,626 S	*	12/1994	Hiroki	D20/42
D365,690 S	*	1/1996	Charlet	D6/315
D409,899 S	*	5/1999	Schrader	D8/367
D418,171 S	*	12/1999	Robinson et al.	D20/42
D447,413 S	*	9/2001	DuCorday	D9/443
6,978,917 B1	*	12/2005	Giustini et al.	223/85

* cited by examiner

Primary Examiner—Robert M. Spear

(74) *Attorney, Agent, or Firm*—Berenato, White & Stavish

(57) **CLAIM**

The ornamental design for a hanging display device for an article, as shown and described.

DESCRIPTION

FIG. 1 is a perspective view of the hanging display device for an article according to the present invention.

FIG. 2 is a front view of the hanging display device for an article of FIG. 1.

FIG. 3 is a rear view of the hanging display device for an article of FIG. 1.

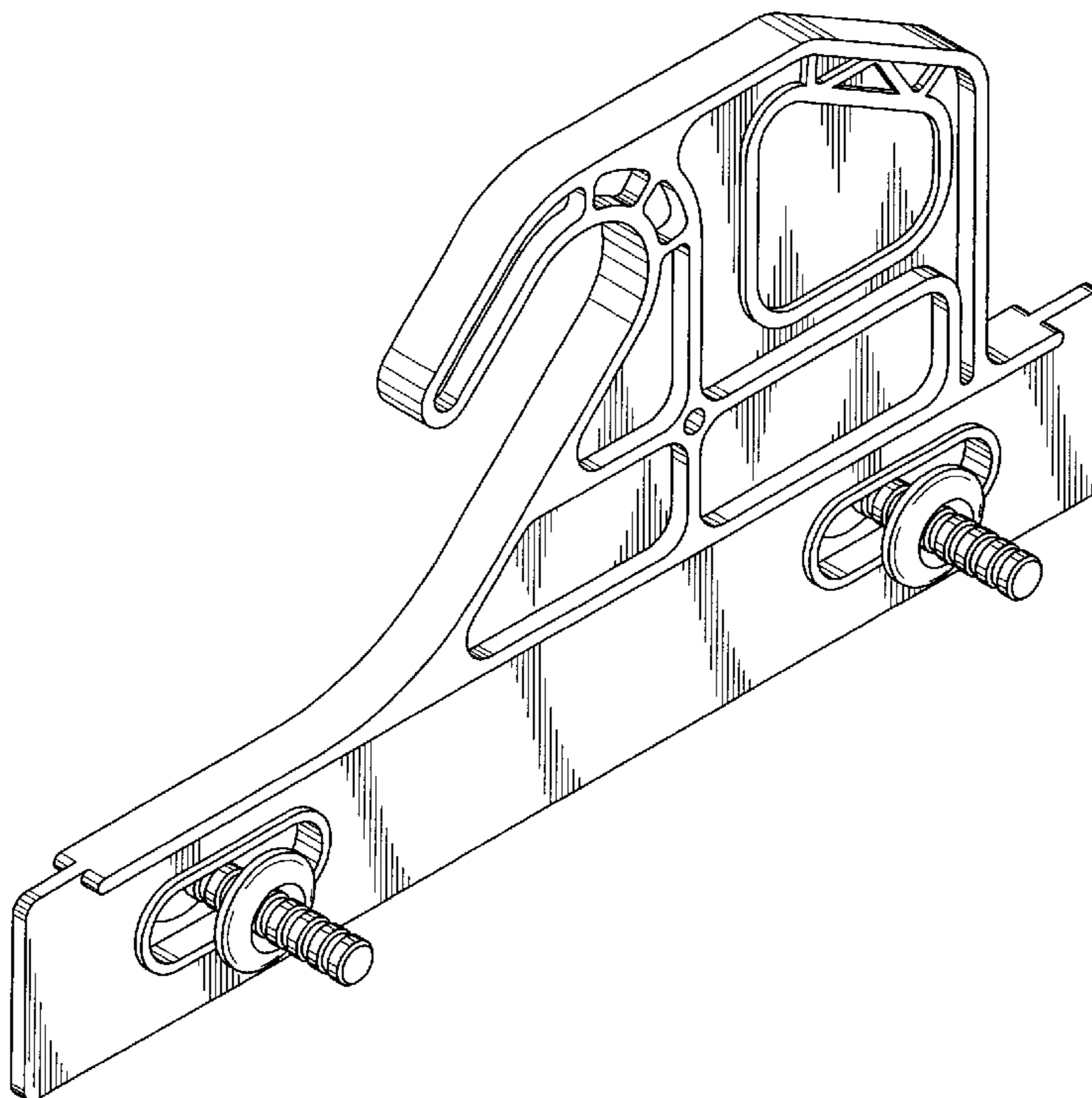
FIG. 4 is a right side view of the hanging display device for an article of FIG. 1.

FIG. 5 is a left side view of the hanging display device for an article of FIG. 1.

FIG. 6 is a top view of the hanging display device for an article of FIG. 1; and,

FIG. 7 is a bottom view of the hanging display device for an article of FIG. 1.

1 Claim, 5 Drawing Sheets



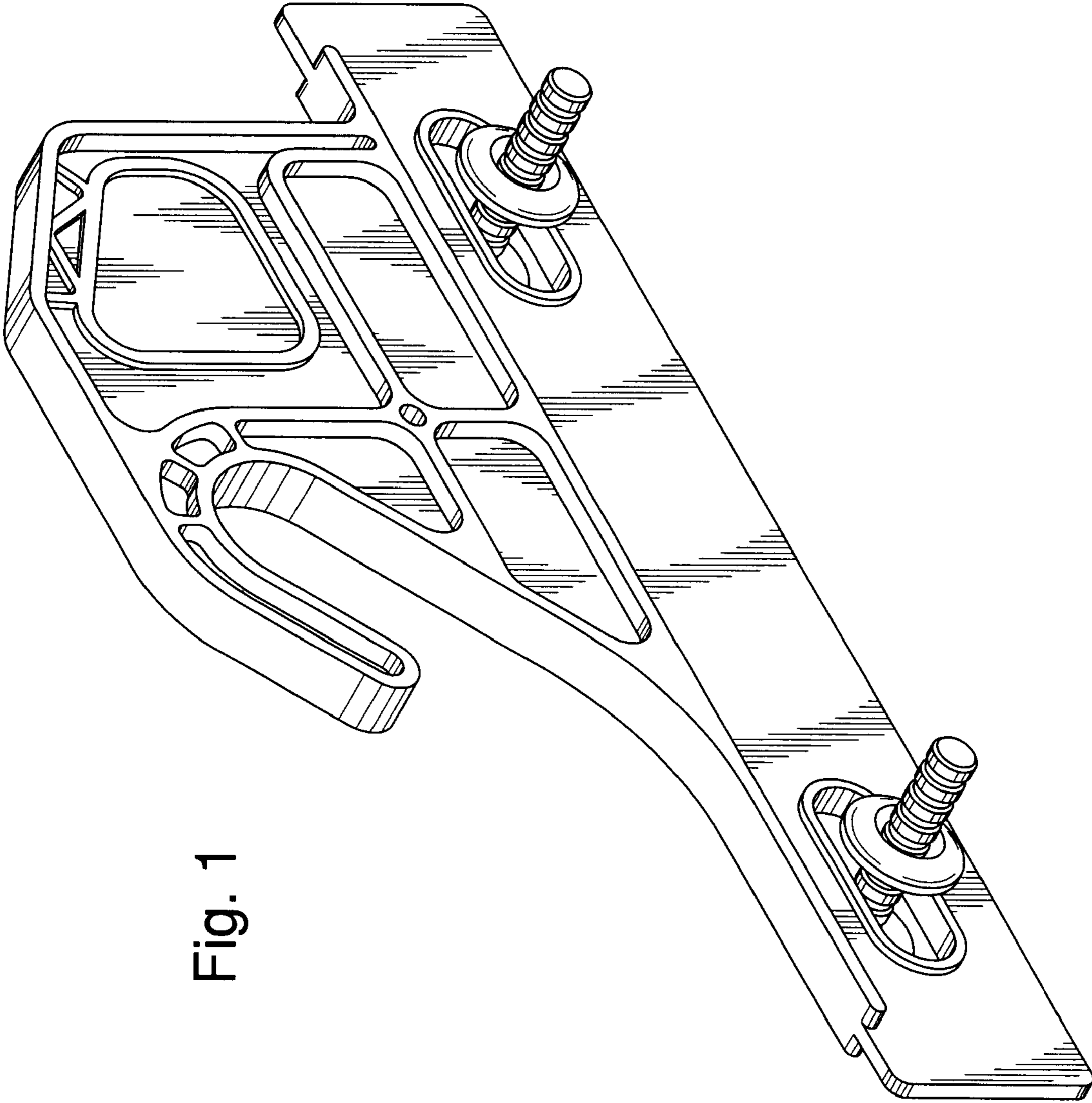


Fig. 1

Fig. 2

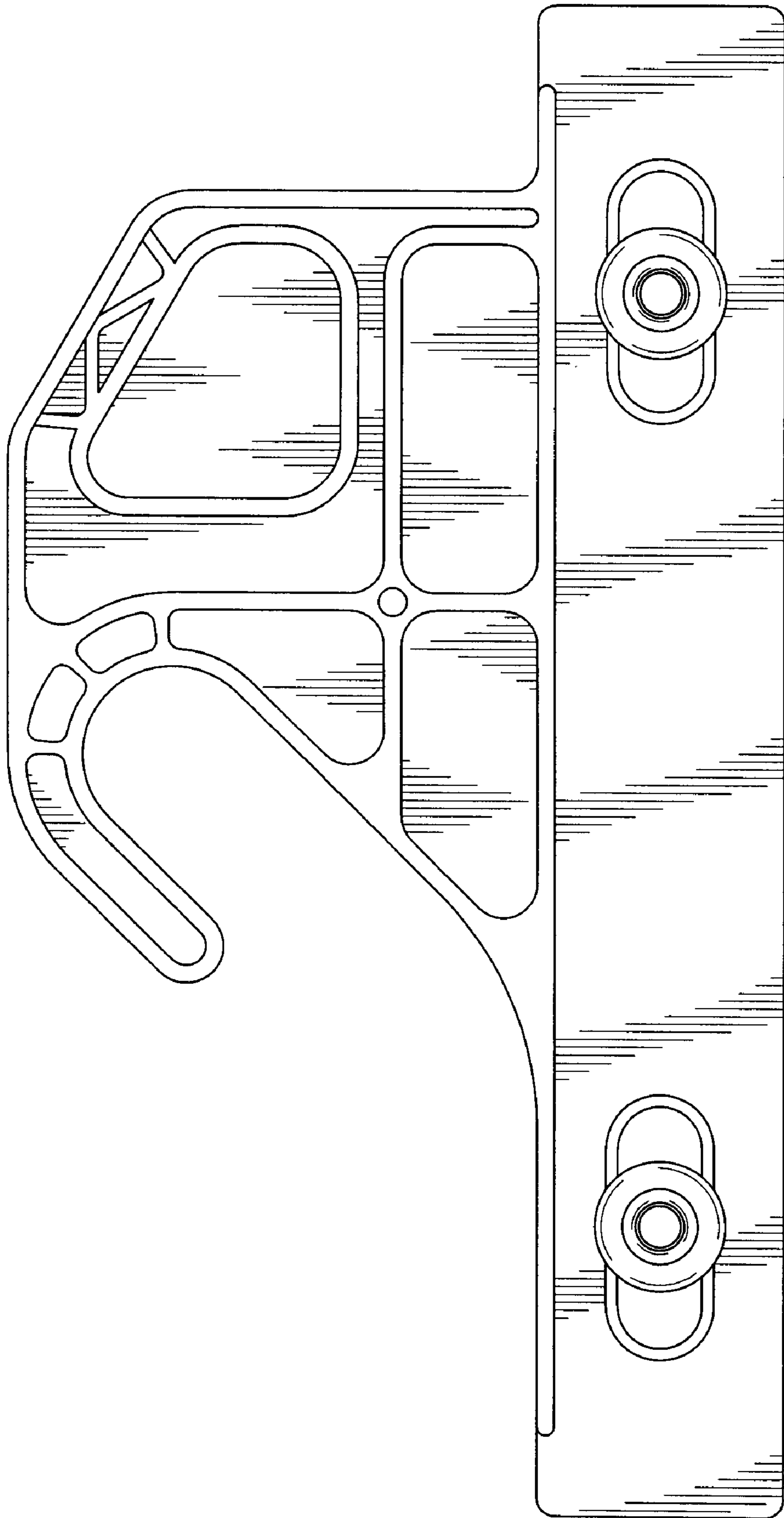


Fig. 3

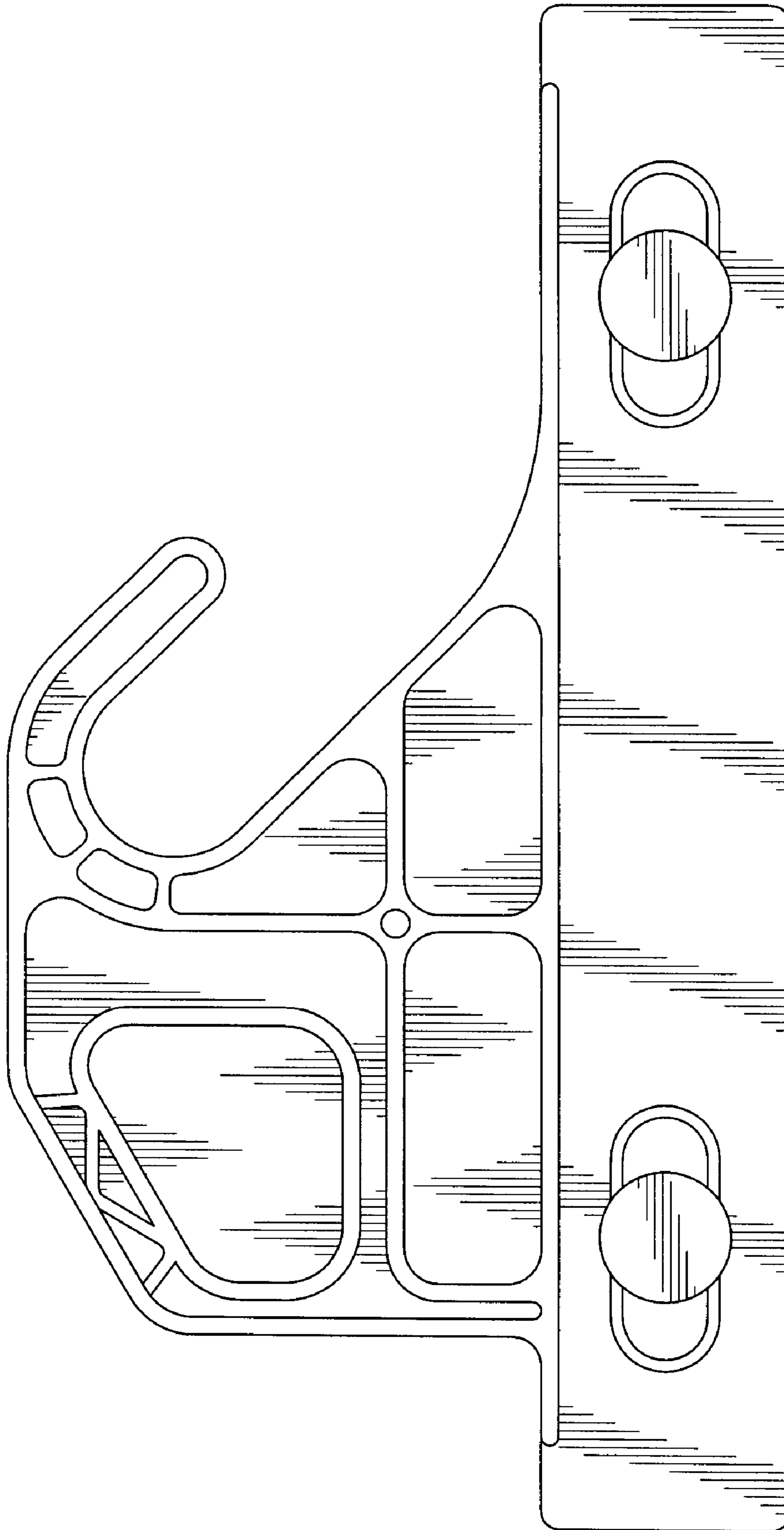


Fig. 5

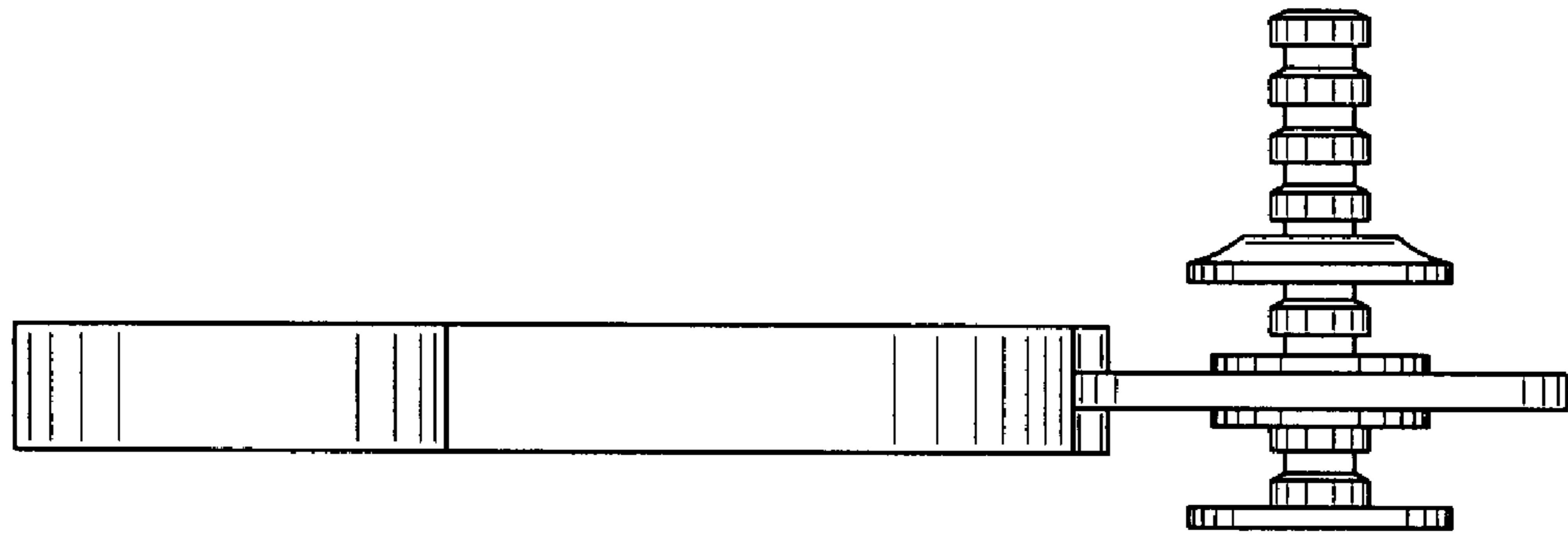


Fig. 4

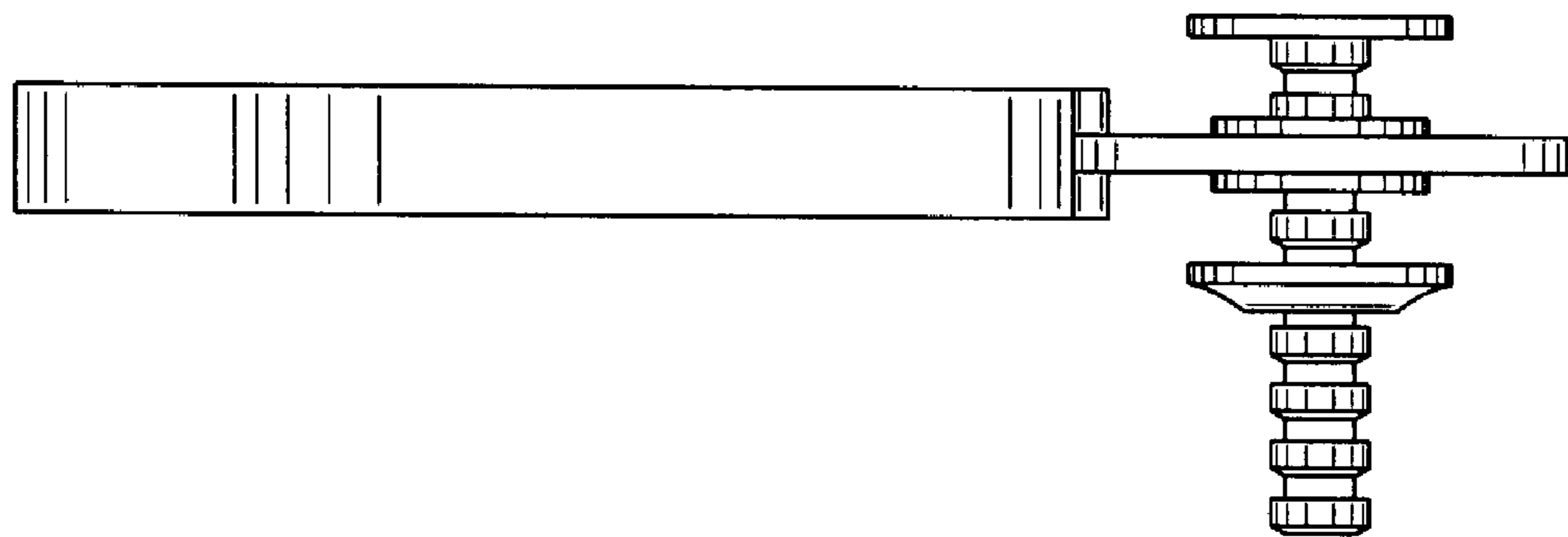


Fig. 6

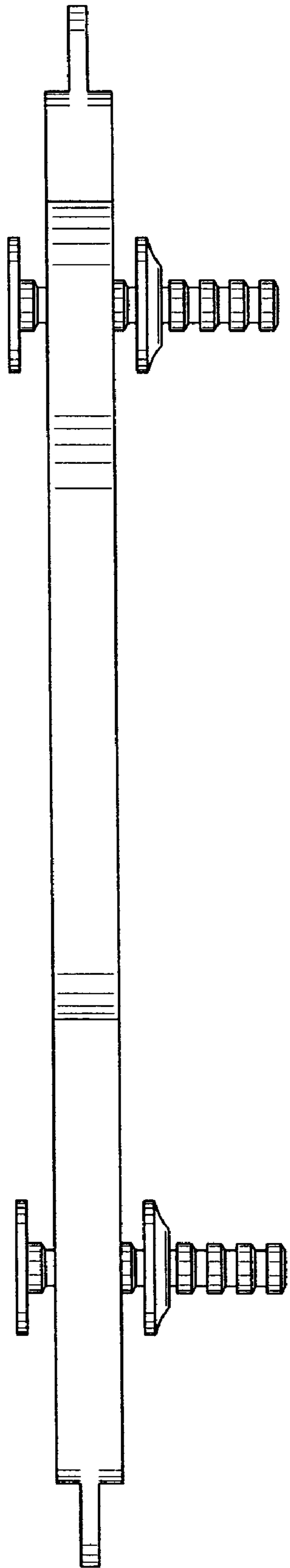


Fig. 7

