



US00D525659S

(12) **United States Design Patent** (10) **Patent No.:** **US D525,659 S**
Paczkowski et al. (45) **Date of Patent:** **** Jul. 25, 2006**

(54) **PROJECTING FRONT PORTION OF A VENDING MACHINE BEZEL**

(75) Inventors: **Thomas S. Paczkowski**, Wildwood, MO (US); **David William Duncan**, Chesterfield, MO (US); **Roger O. Claghorn**, Ellisville, MO (US); **Tate L. Neilson**, St. Louis, MO (US); **Michael J. Justin**, St. Louis, MO (US); **Gary M. Ochterbeck**, St. Louis, MO (US); **Travis William Mills**, Granite City, IL (US)

D329,465 S	*	9/1992	Kastanek	D20/8
5,635,696 A		6/1997	Dabrowski	235/449
5,791,449 A		8/1998	Deaville et al.	194/348
5,955,718 A		9/1999	Levasseur et al.	235/381
6,283,268 B1		9/2001	Fletcher et al.	194/344
6,296,182 B1		10/2001	Ota et al.	235/379
6,638,157 B1	*	10/2003	Perkitny	453/13
D498,795 S		11/2004	Nunn	D20/8
6,869,012 B1		3/2005	Tanaka et al.	235/380
D506,509 S		6/2005	Nunn	D20/9
6,923,306 B1		8/2005	Hand	194/350

* cited by examiner

Primary Examiner—Robert M. Spear

(73) Assignee: **Coin Acceptors, Inc.**, St Louis, MO (US)

(74) *Attorney, Agent, or Firm*—Haverstock, Garrett & Roberts LLP

(**) Term: **14 Years**

(57) **CLAIM**

(21) Appl. No.: **29/238,484**

The ornamental design for a projecting front portion of a vending machine bezel, as shown and described.

(22) Filed: **Sep. 16, 2005**

DESCRIPTION

(51) **LOC (8) Cl.** **20-01**
(52) **U.S. Cl.** **D20/8**
(58) **Field of Classification Search** D20/1, D20/2, 3, 4, 5, 6, 7, 8, 9, 99; D7/301, 304, D7/305, 307, 308, 312, 313, 398; D23/284; 194/239, 320, 342, 350, 351, 352, 906; 221/92, 221/96, 104, 151, 155, 191, 194; 239/28, 239/29; 700/232

FIG. 1 is a perspective view of the projecting front portion of a vending machine bezel;
FIG. 2 is a bottom view thereof;
FIG. 3 is a front view thereof;
FIG. 4 is a left view thereof;
FIG. 5 is a right view thereof; and,
FIG. 6 top view thereof.

See application file for complete search history.

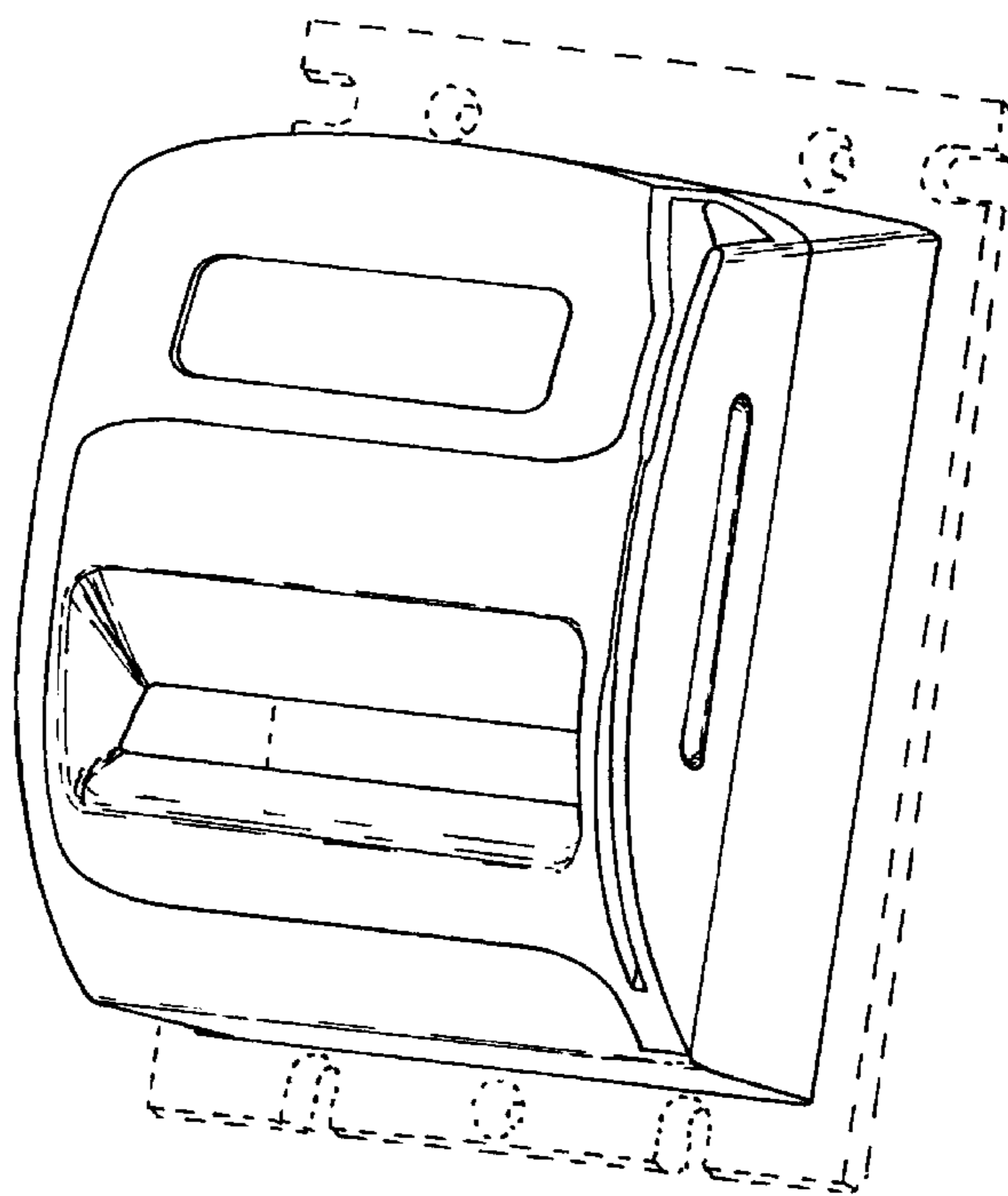
The vending machine bezel is intended for attachment to a vending machine. The broken line representations of the rear attachment portions of the vending machine bezel are for purposes of illustration only and form no part of the claimed design. The rear appearance of the vending machine bezel also forms no part of the claimed design.

(56) **References Cited**

U.S. PATENT DOCUMENTS

D152,587 S	*	2/1949	Brundage	D20/8
D276,924 S	*	12/1984	Bellis	D20/9

1 Claim, 3 Drawing Sheets



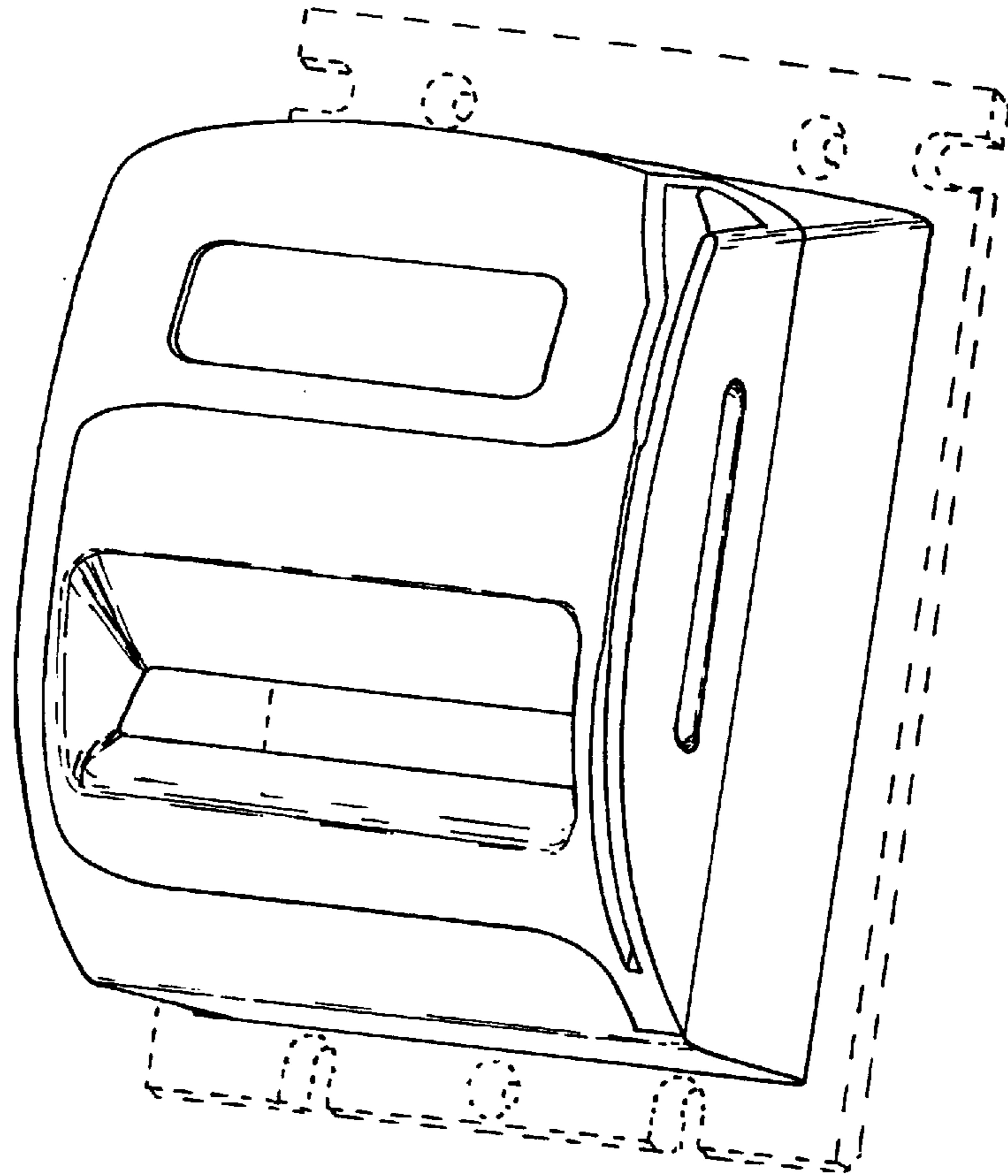


Fig. 1

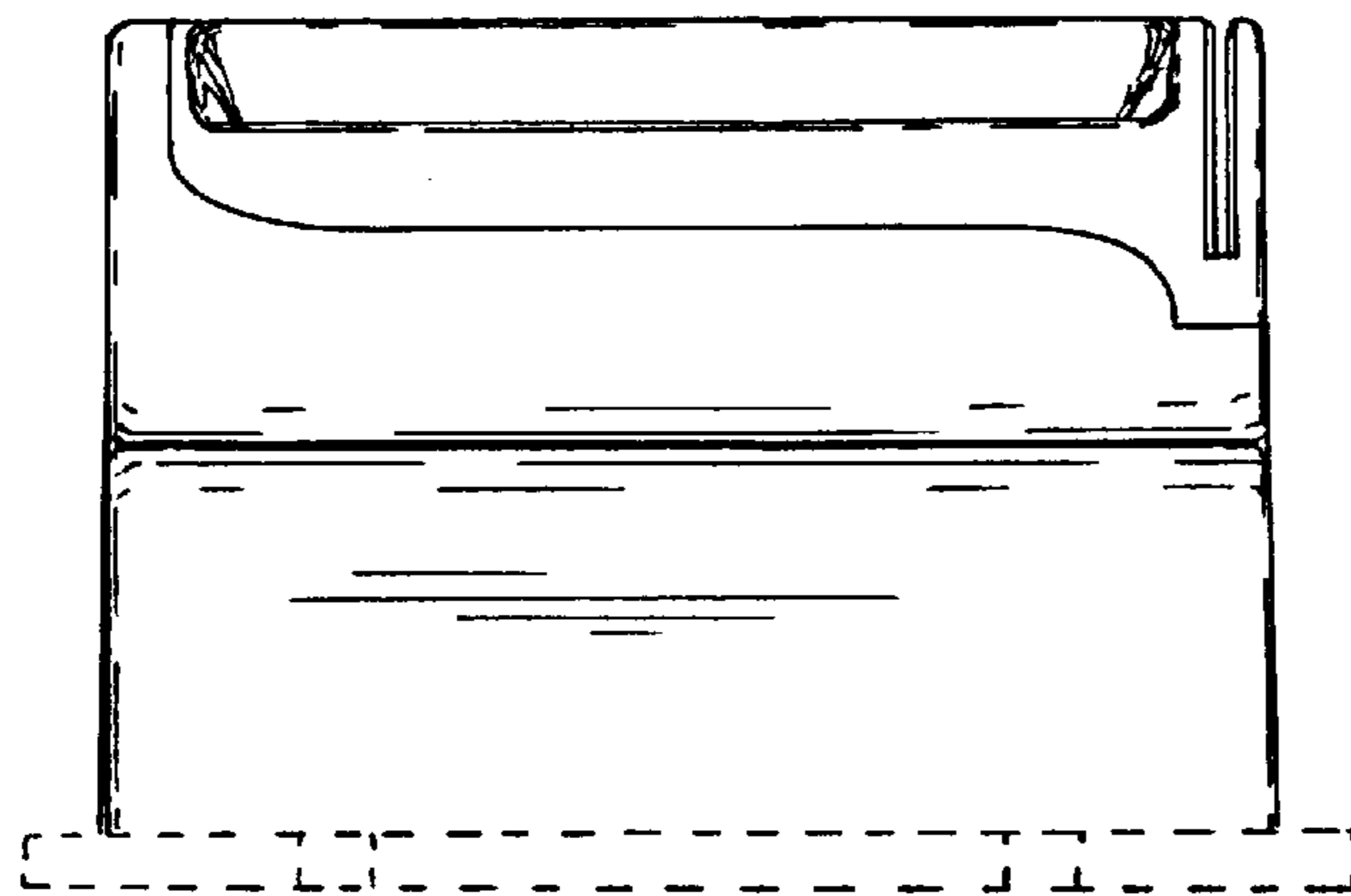


Fig. 2

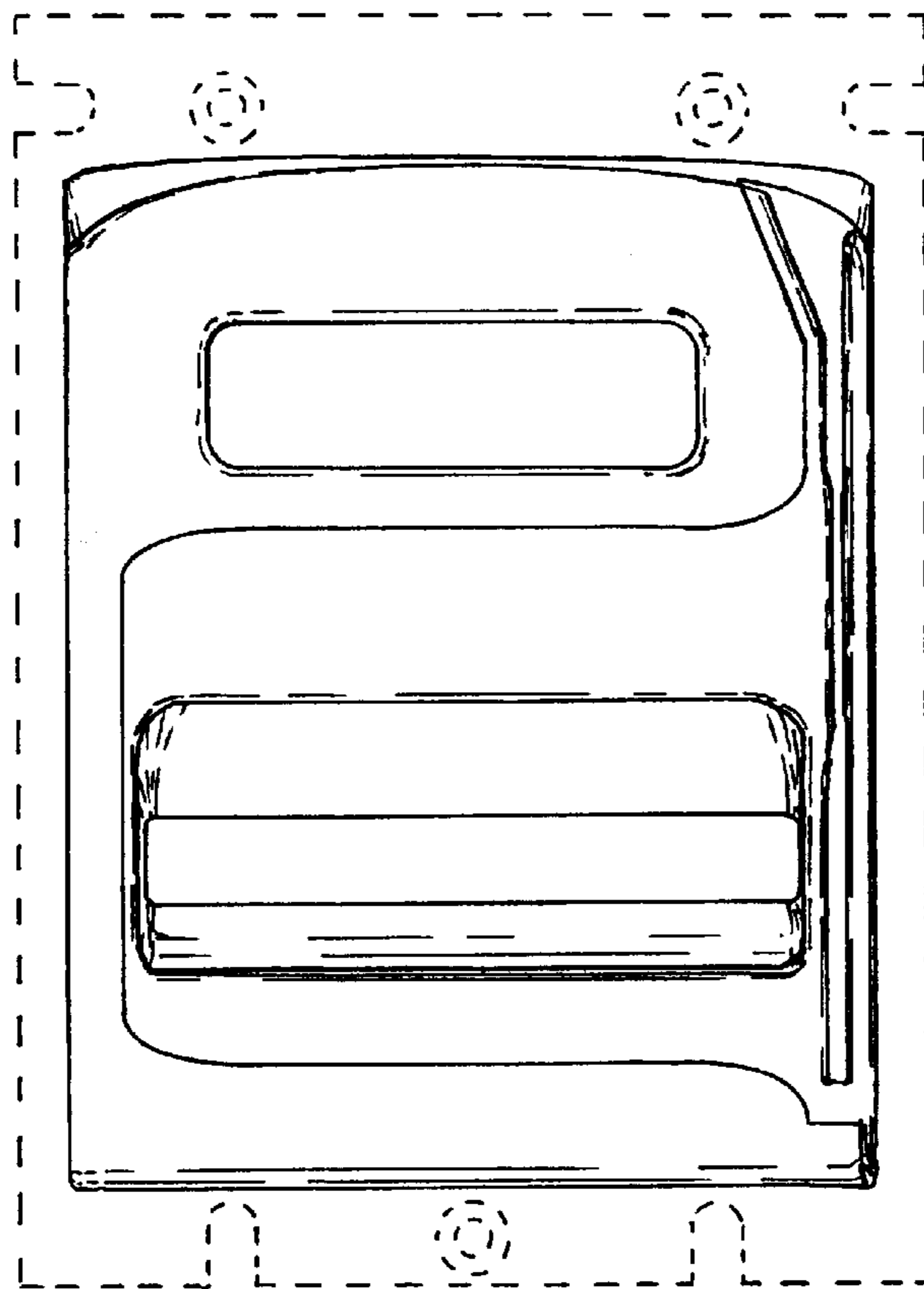


Fig. 3

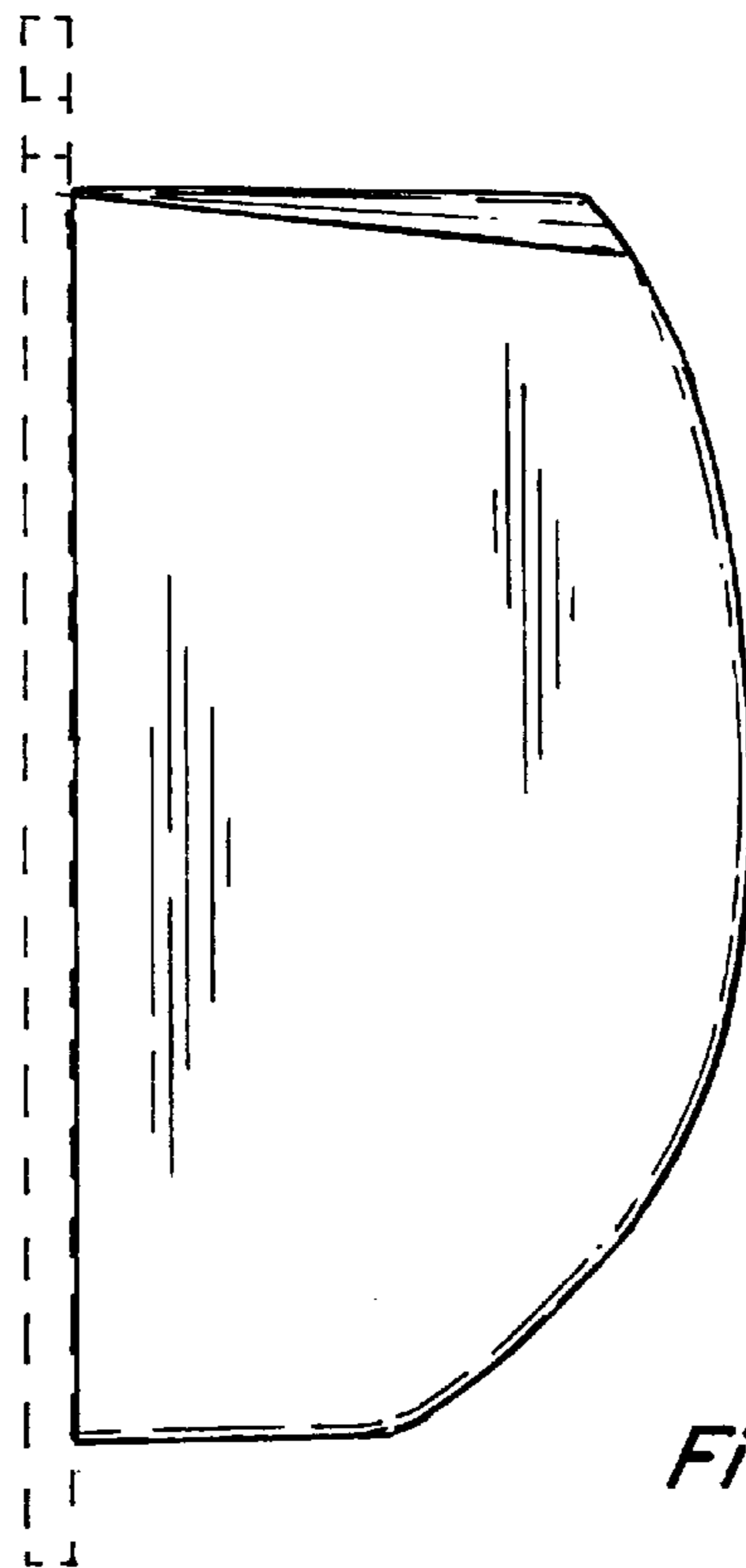


Fig. 4

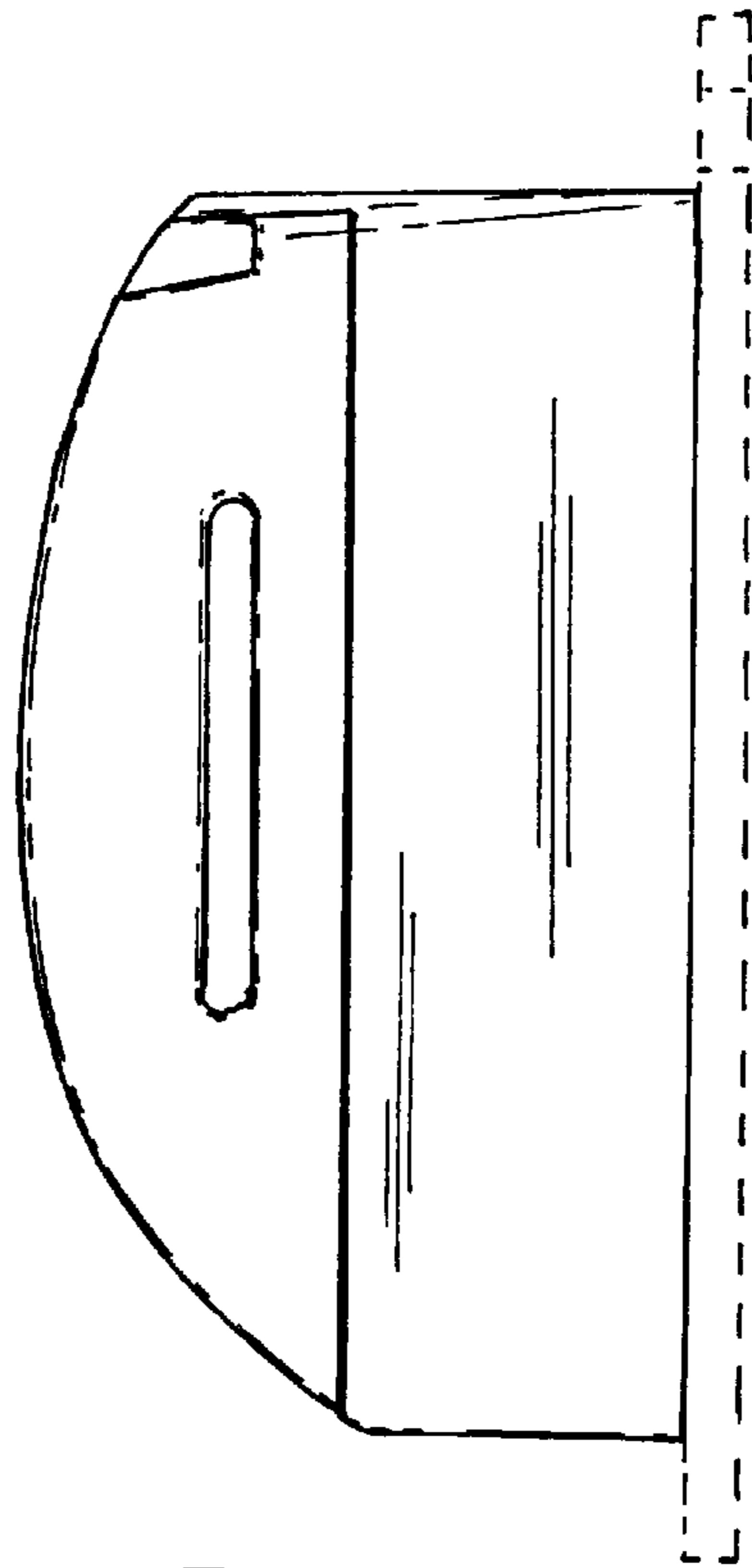


Fig. 5

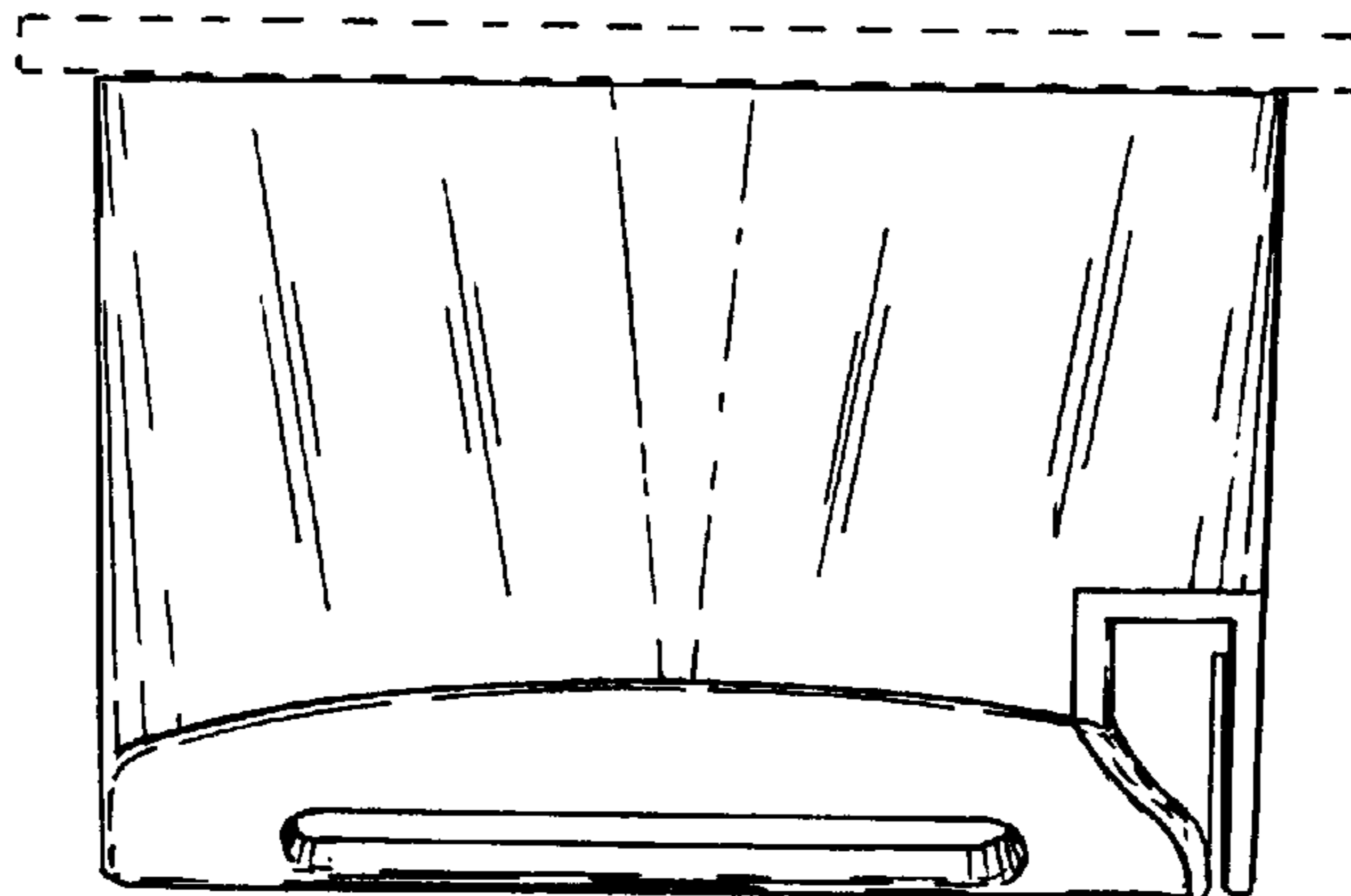


Fig. 6