

US00D525657S

(12) **United States Design Patent**  
**Warren, III**

(10) **Patent No.:** **US D525,657 S**

(45) **Date of Patent:** **\*\* Jul. 25, 2006**

(54) **ORGANIZER**

(76) **Inventor:** **Eugene Warren, III**, 1912 Avenue, D,  
Ensley, AL (US) 35218

(\*\*) **Term:** **14 Years**

(21) **Appl. No.:** **29/203,149**

(22) **Filed:** **Apr. 9, 2004**

(51) **LOC (8) Cl.** ..... **19-02**

(52) **U.S. Cl.** ..... **D19/77; D28/73**

(58) **Field of Classification Search** ..... D3/201,  
D3/313; D6/570, 571; D9/747; D19/75, 77,  
D19/78, 81-85, 95; 206/214, 338, 340, 350,  
206/371, 461, 558, 561, 564, 818, 362, 740,  
206/742; 211/13.1, 65; 221/212; D28/73  
See application file for complete search history.

(56) **References Cited**

**U.S. PATENT DOCUMENTS**

D49,875 S	11/1916	Aulicino	.....	D19/77
D92,312 S	* 5/1934	Kanter	.....	D7/507
D151,343 S	* 10/1948	Greger	.....	D19/75
D152,655 S	* 2/1949	Rossell	.....	D11/147
D173,818 S	1/1955	Rogers	.....	D19/78
D237,001 S	* 9/1975	Von Serda	.....	D26/137
D245,368 S	8/1977	Mueller	.....	D11/143
D288,939 S	3/1987	Boon	.....	D19/78
D290,854 S	* 7/1987	Appel	.....	D19/85
D296,448 S	6/1988	Evenson	.....	D19/77

D329,876 S	9/1992	Breen	.....	D19/75
D332,631 S	* 1/1993	Klodt	.....	D19/78
D342,585 S	* 12/1993	Fischbach et al.	.....	D28/38
D356,829 S	* 3/1995	Russomano et al.	.....	D19/77
D357,886 S	* 5/1995	Fuller	.....	D11/152
D365,300 S	* 12/1995	Bransky et al.	.....	D11/143
5,544,764 A	8/1996	Cima	.....	211/69
D450,456 S	11/2001	Warren, III		
6,591,990 B1	* 7/2003	Lanman et al.	.....	211/10
D487,170 S	* 2/2004	Petruccelli	.....	D28/73
D495,880 S	* 9/2004	Warren, III	.....	D3/313

\* cited by examiner

*Primary Examiner*—Caron D. Veynar

*Assistant Examiner*—Elizabeth Albert

(74) *Attorney, Agent, or Firm*—Smith, Gambrell & Russell  
LLP

(57) **CLAIM**

The ornamental design for a organizer, as shown and  
described.

**DESCRIPTION**

FIG. 1 is a perspective view of the organizer of the present  
invention;

FIG. 2 is a top plan view of the organizer;

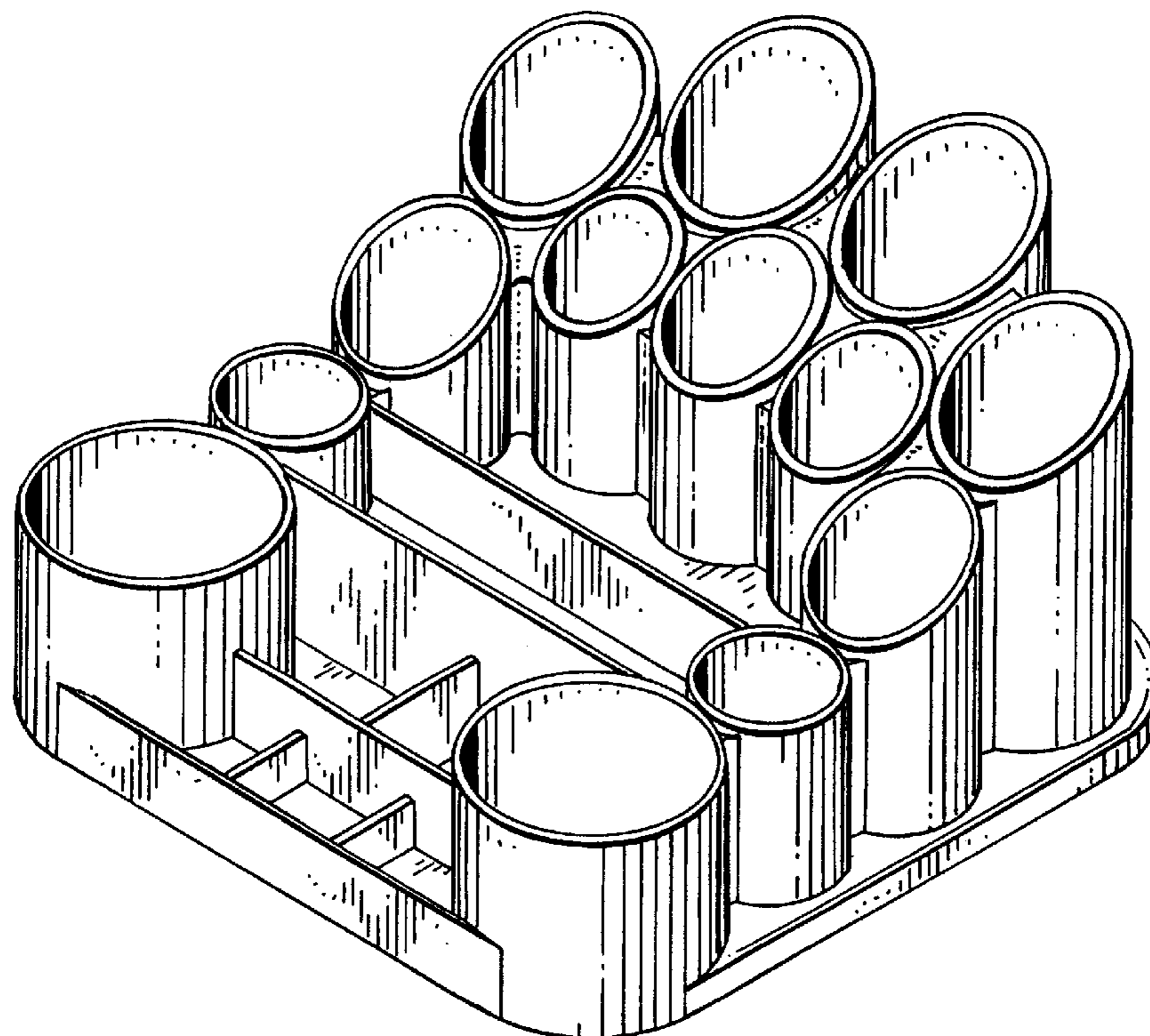
FIG. 3 is a front elevational view of the organizer;

FIG. 4 is a side elevational view of the organizer;

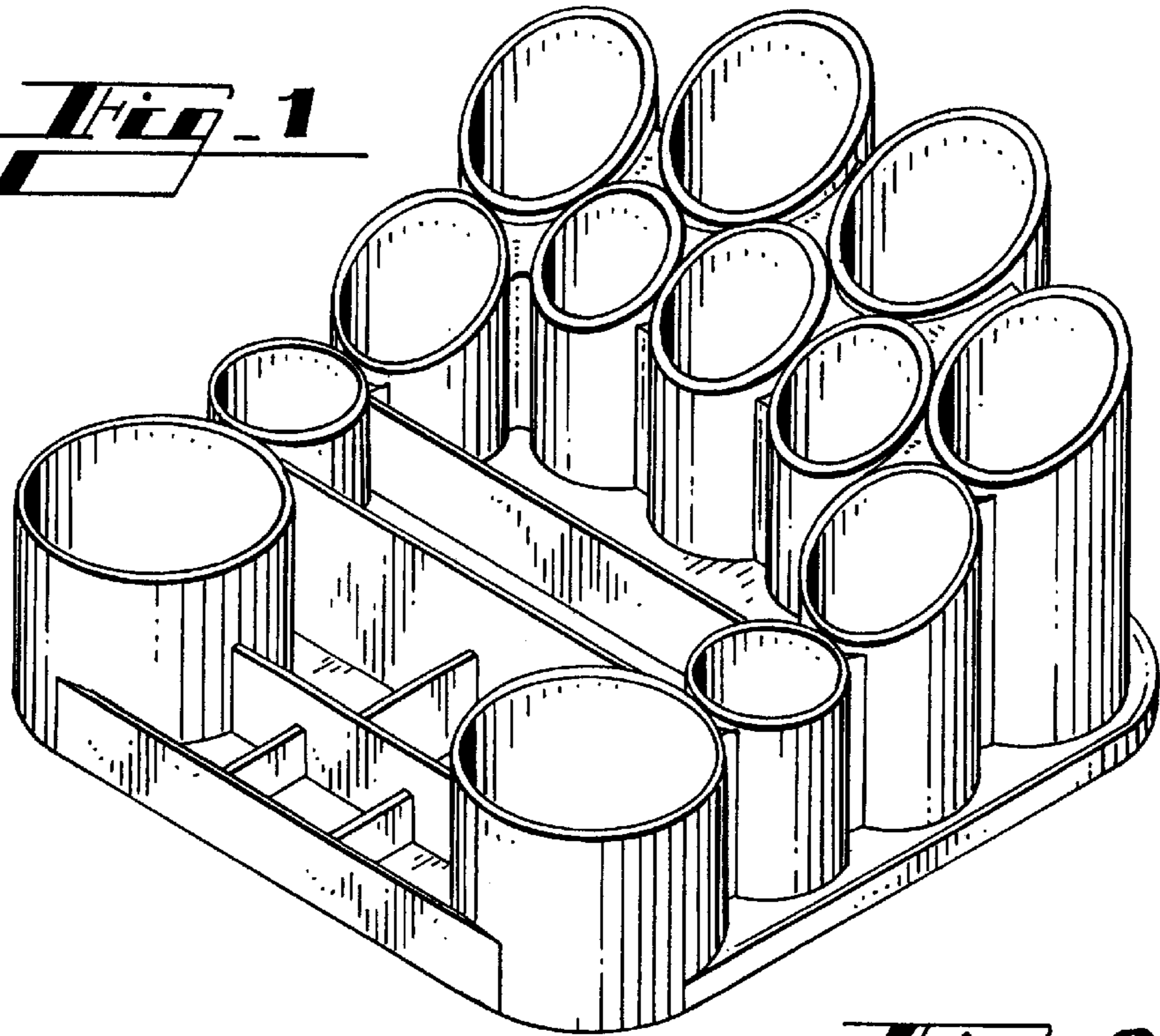
FIG. 5 is a bottom view of the organizer; and,

FIG. 6 is a rear elevational view of the organizer.

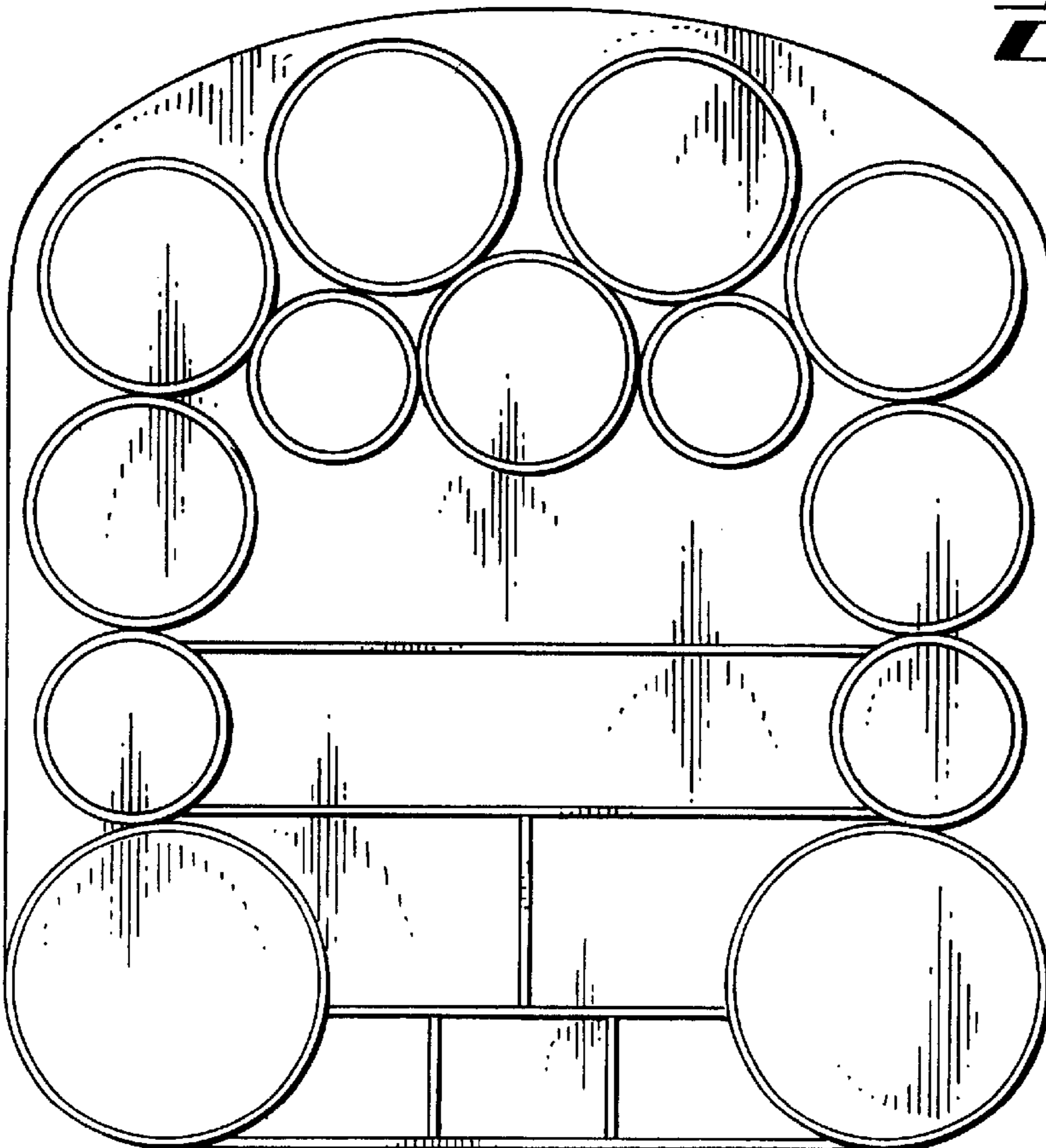
**1 Claim, 3 Drawing Sheets**

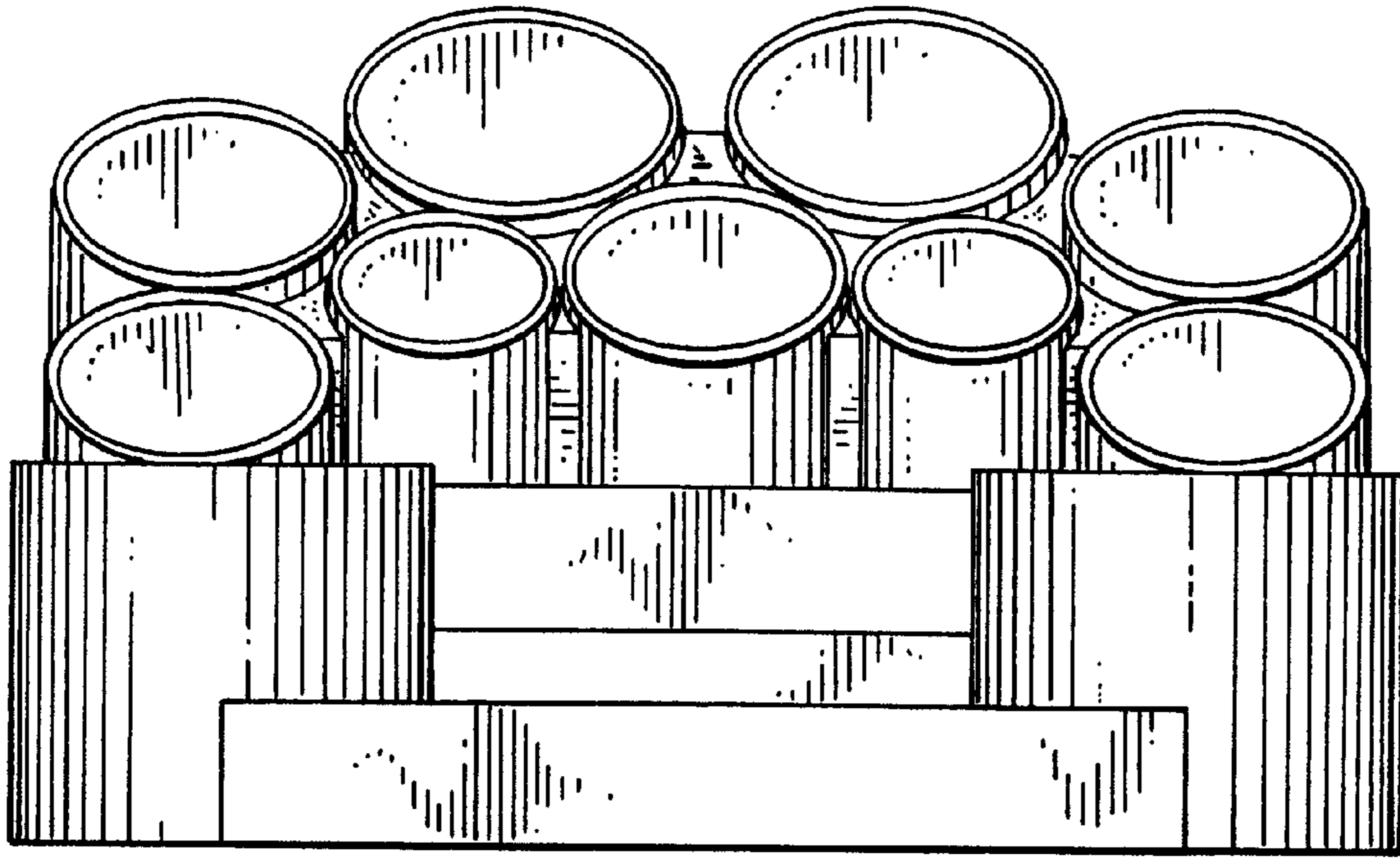


*Fig. 1*



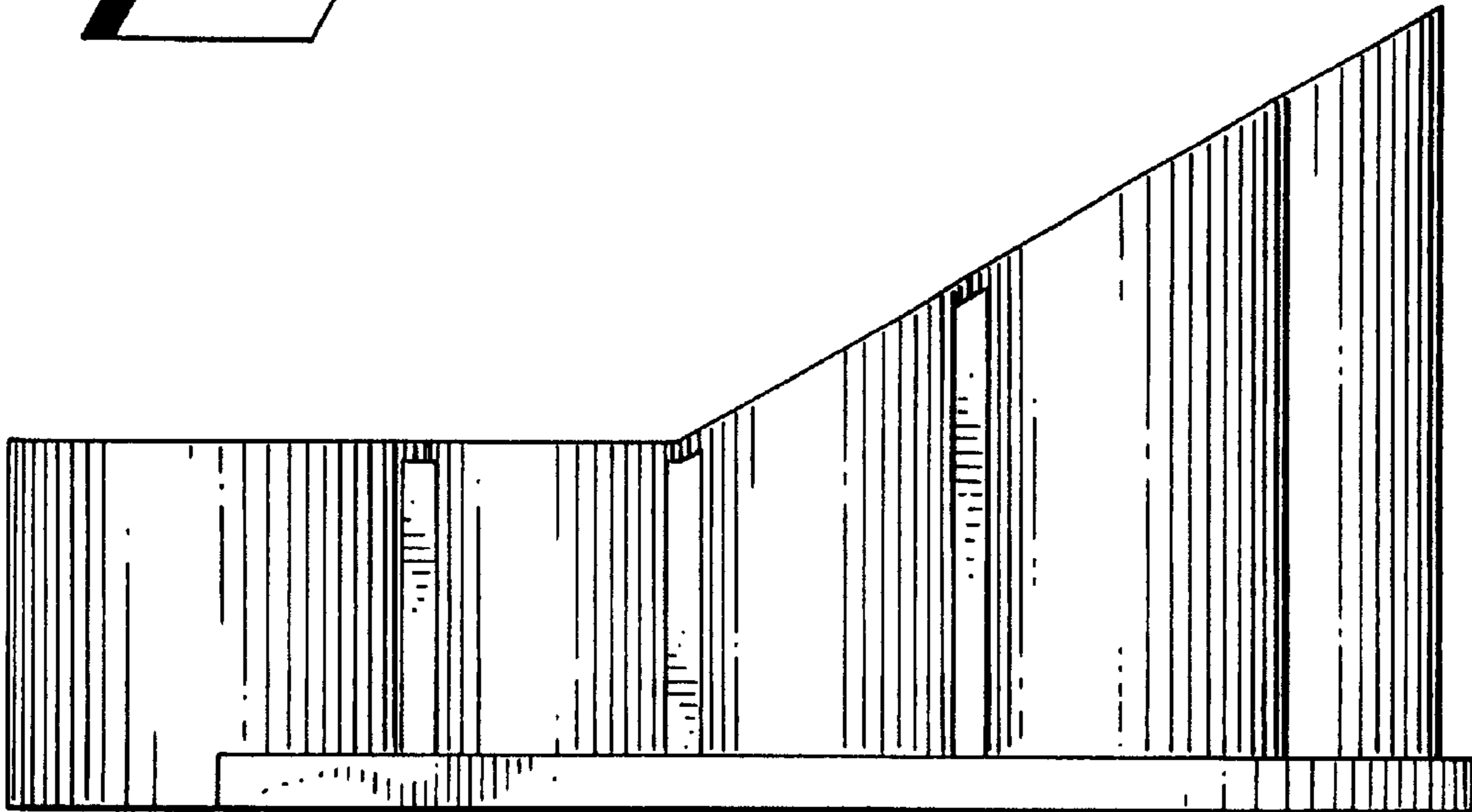
*Fig. 2*

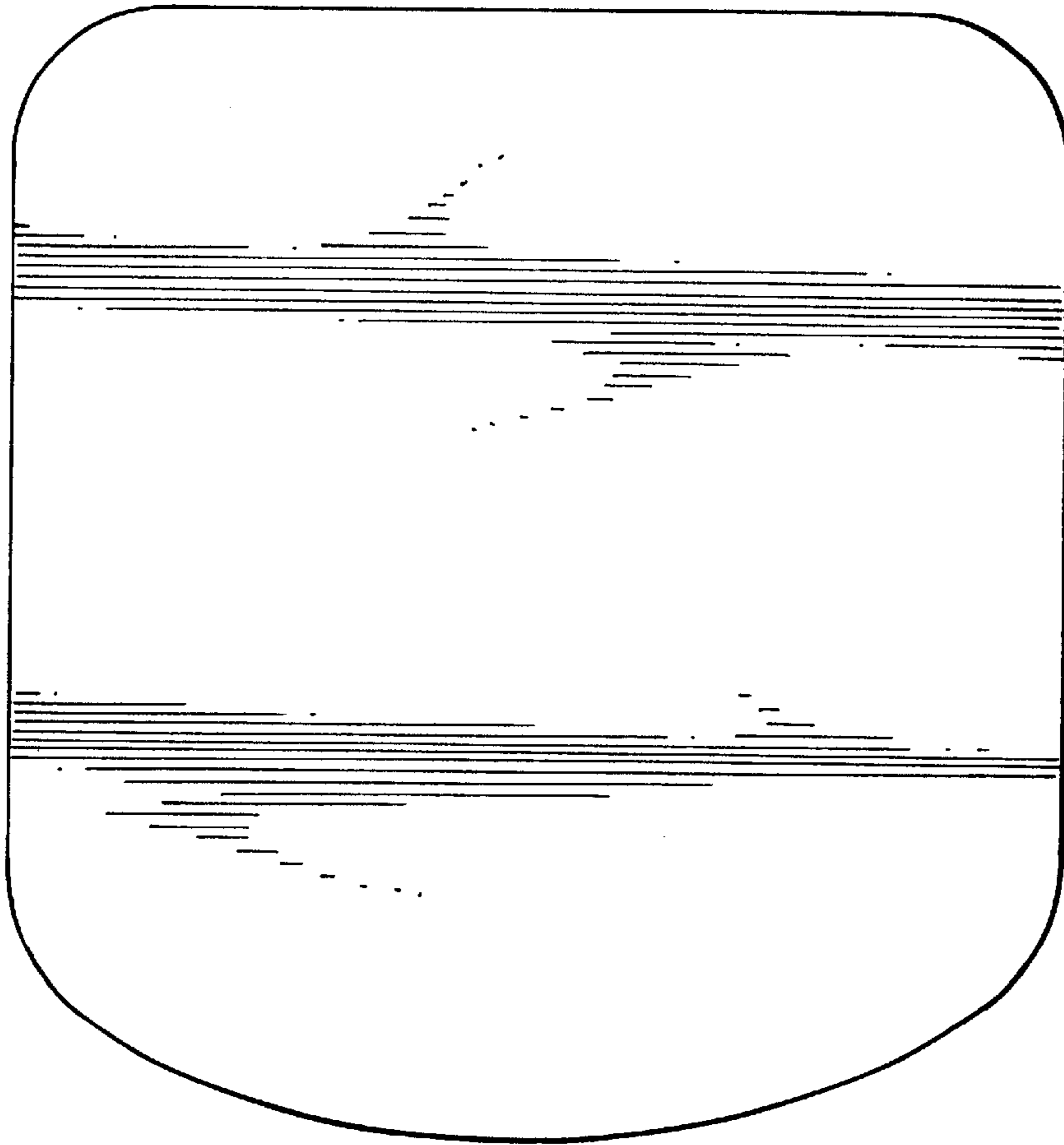




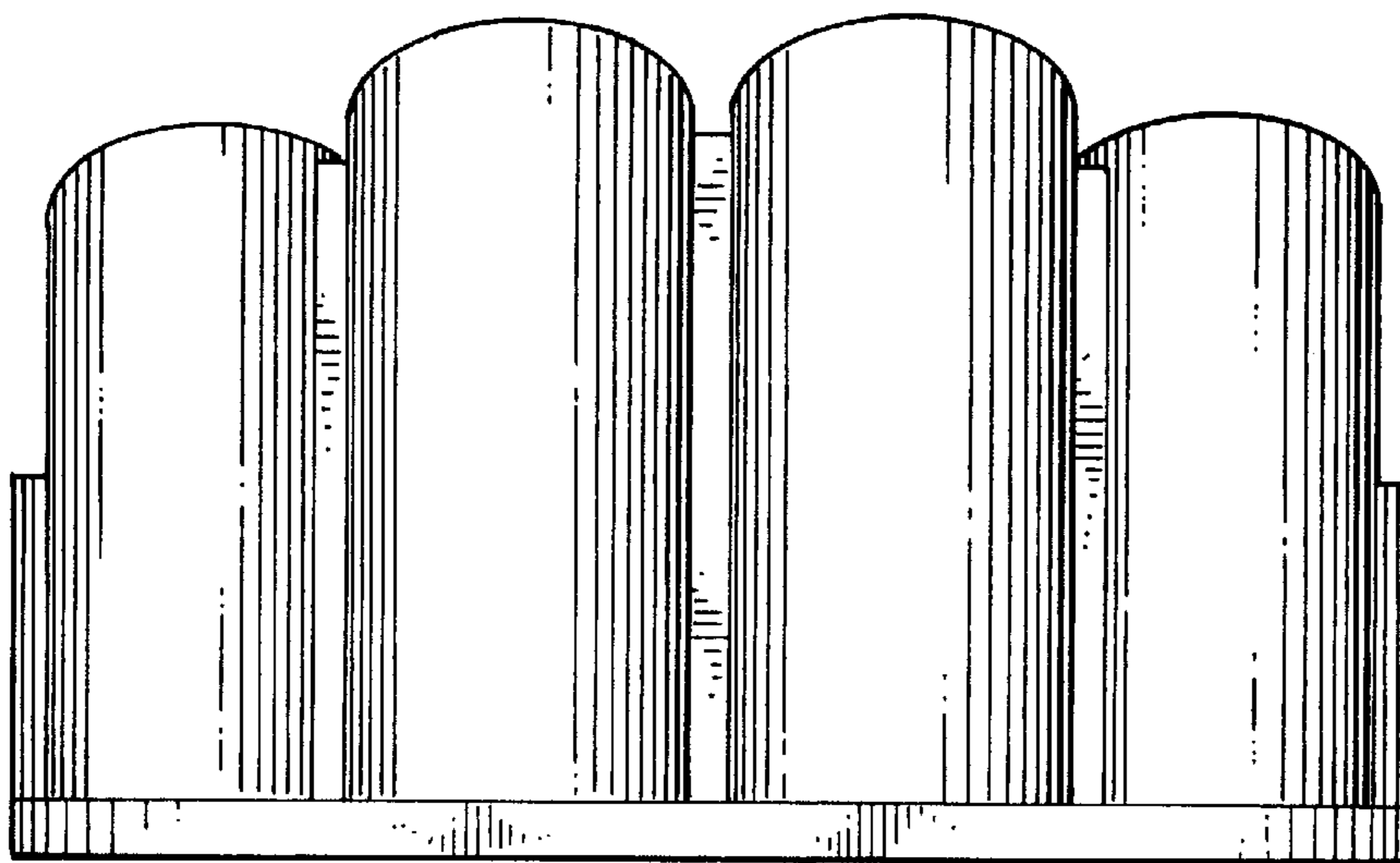
**Fig. 3**

**Fig. 4**





**Fig. 5**



**Fig. 6**