

US00D525652S

(12) **United States Design Patent**  
**Hegge**

(10) **Patent No.:** **US D525,652 S**

(45) **Date of Patent:** **\*\* Jul. 25, 2006**

(54) **INK JET CARTRIDGE**

(75) Inventor: **Frans Hegge**, Hamont-Achel (BE)

(73) Assignee: **Agfa-Gevaert, N.V.**, Morstel (BE)

(\*\*) Term: **14 Years**

(21) Appl. No.: **29/231,171**

(22) Filed: **Jun. 2, 2005**

(30) **Foreign Application Priority Data**

Dec. 2, 2004 (EM) ..... 000261433-0001

(51) **LOC (8) Cl.** ..... **18-02**

(52) **U.S. Cl.** ..... **D18/56**

(58) **Field of Classification Search** ..... D18/12,  
D18/43, 56; 347/86-87; 399/110  
See application file for complete search history.

(56) **References Cited**

**U.S. PATENT DOCUMENTS**

D309,752 S \* 8/1990 Miyoshi ..... D18/43  
D419,593 S \* 1/2000 Shimizu et al. .... D18/56

D438,897 S \* 3/2001 Hatasa et al. .... D18/56  
D448,798 S \* 10/2001 Shimizu et al. .... D18/56  
D460,480 S \* 7/2002 Yamada et al. .... D18/56  
D462,089 S \* 8/2002 Trafton et al. .... D18/56  
D489,756 S \* 5/2004 Matsumoto et al. .... D18/56  
D512,093 S \* 11/2005 Namekawa ..... D18/56

\* cited by examiner

*Primary Examiner*—Cathy Anne MacCormac

(74) *Attorney, Agent, or Firm*—Kirschstein, et al.

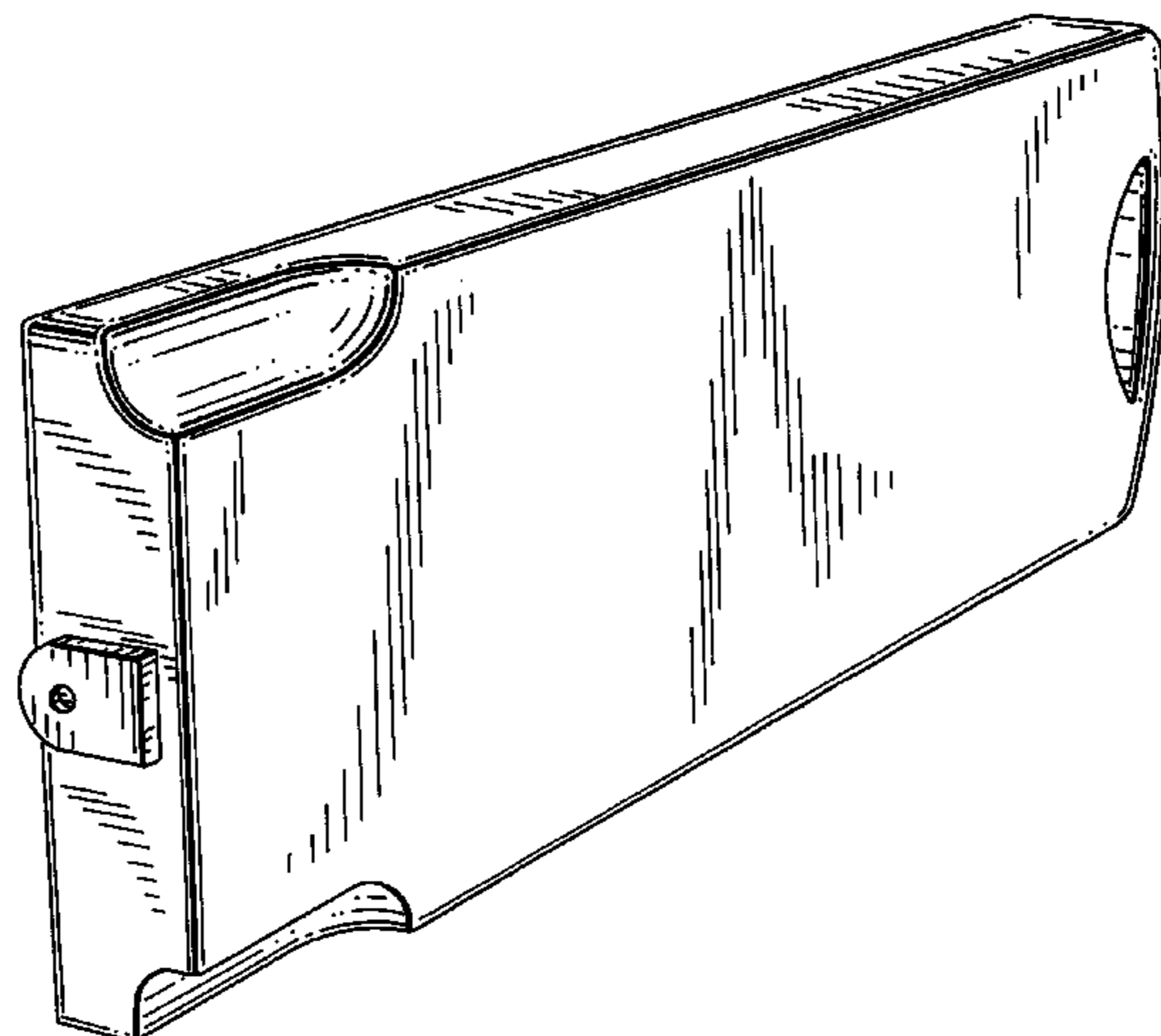
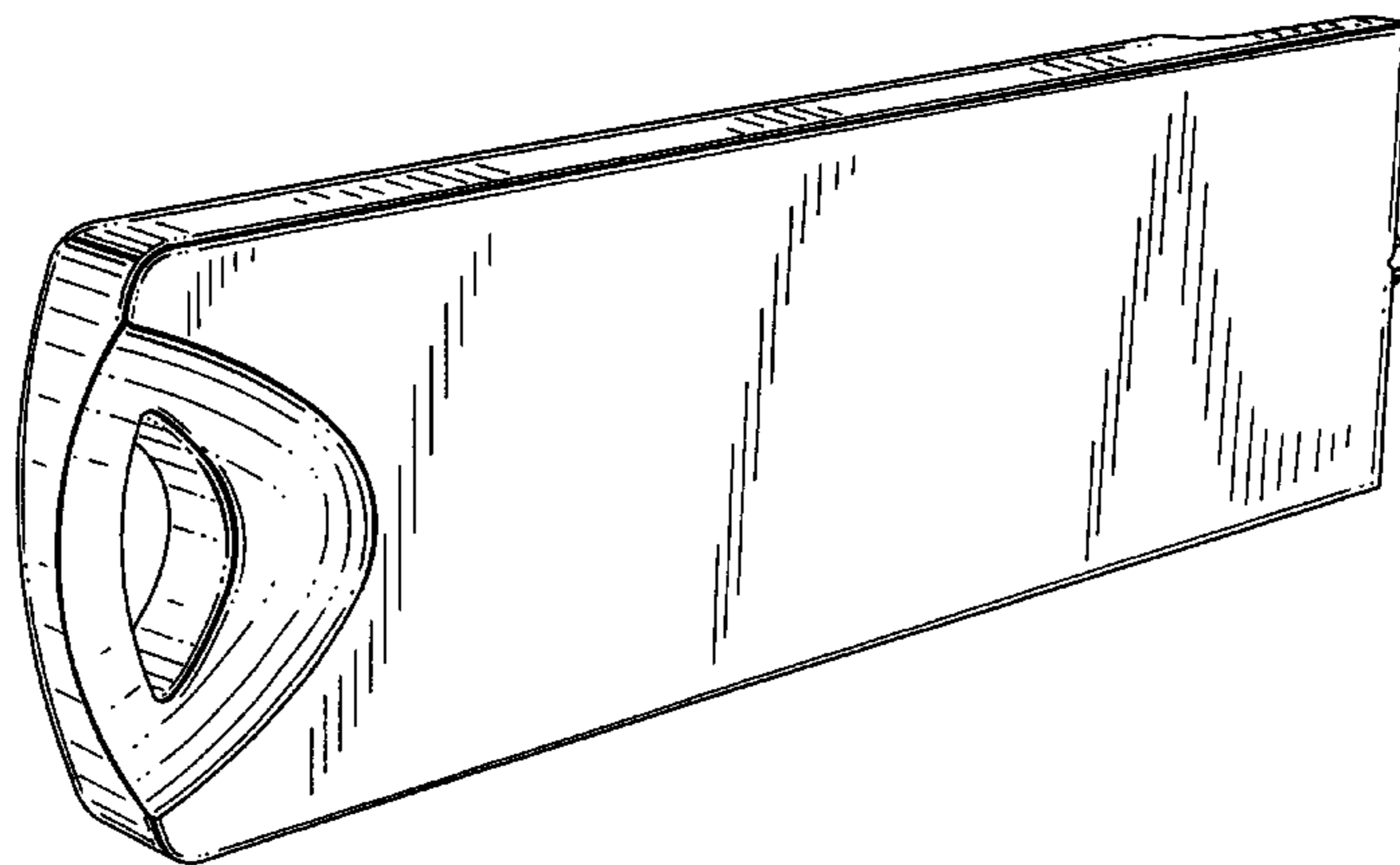
(57) **CLAIM**

The ornamental design for an ink jet cartridge, as shown.

**DESCRIPTION**

FIG. 1 is a top, front, left side, perspective view of an ink jet cartridge according to my new design;  
FIG. 2 is a top, rear, right side, perspective view thereof;  
FIG. 3 is a front elevational view thereof;  
FIG. 4 is a rear elevational view thereof;  
FIG. 5 is a left side elevational view thereof;  
FIG. 6 is a right side elevational view thereof; and,  
FIG. 7 is a bottom plan view thereof.

**1 Claim, 5 Drawing Sheets**



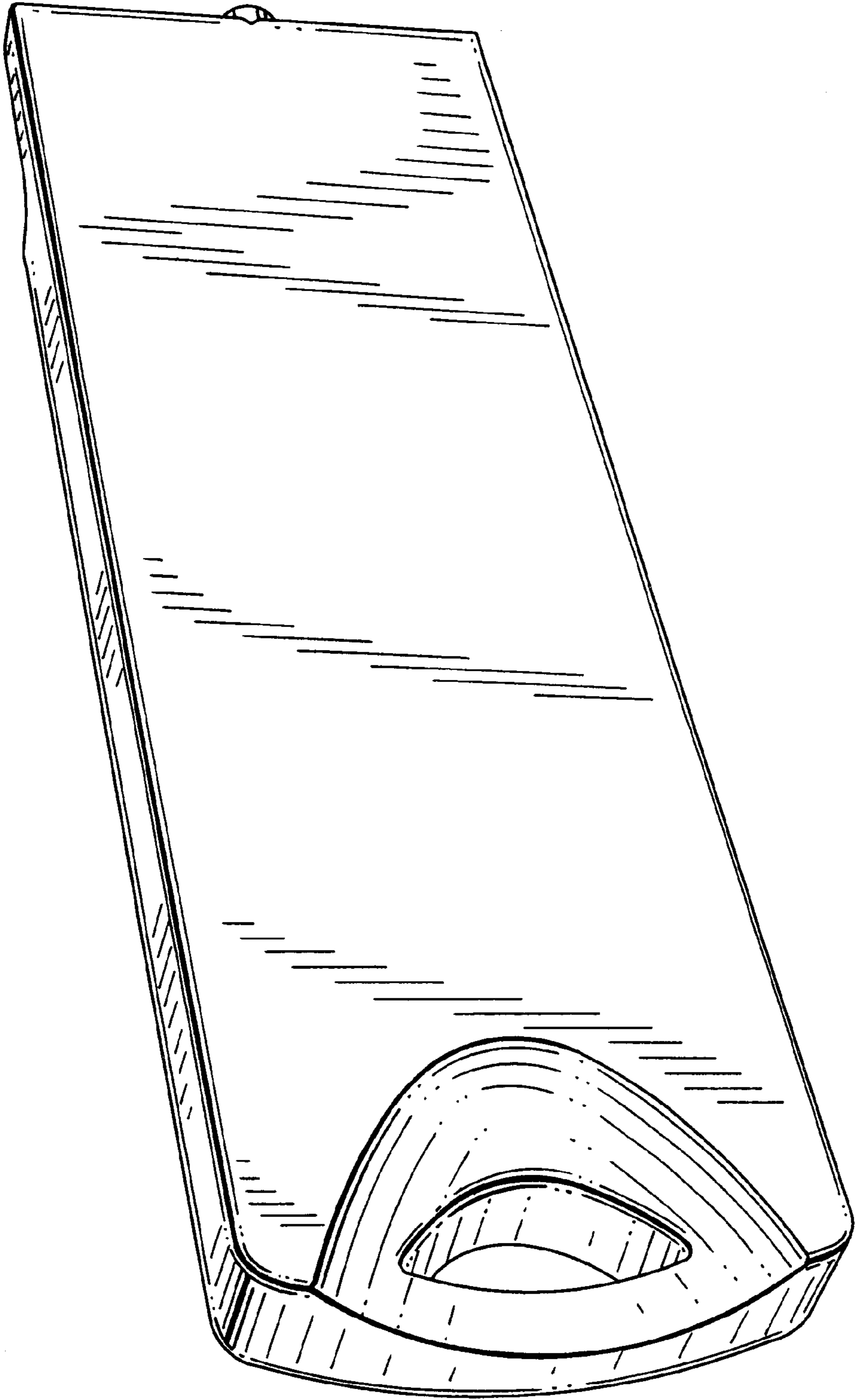


FIG. 1

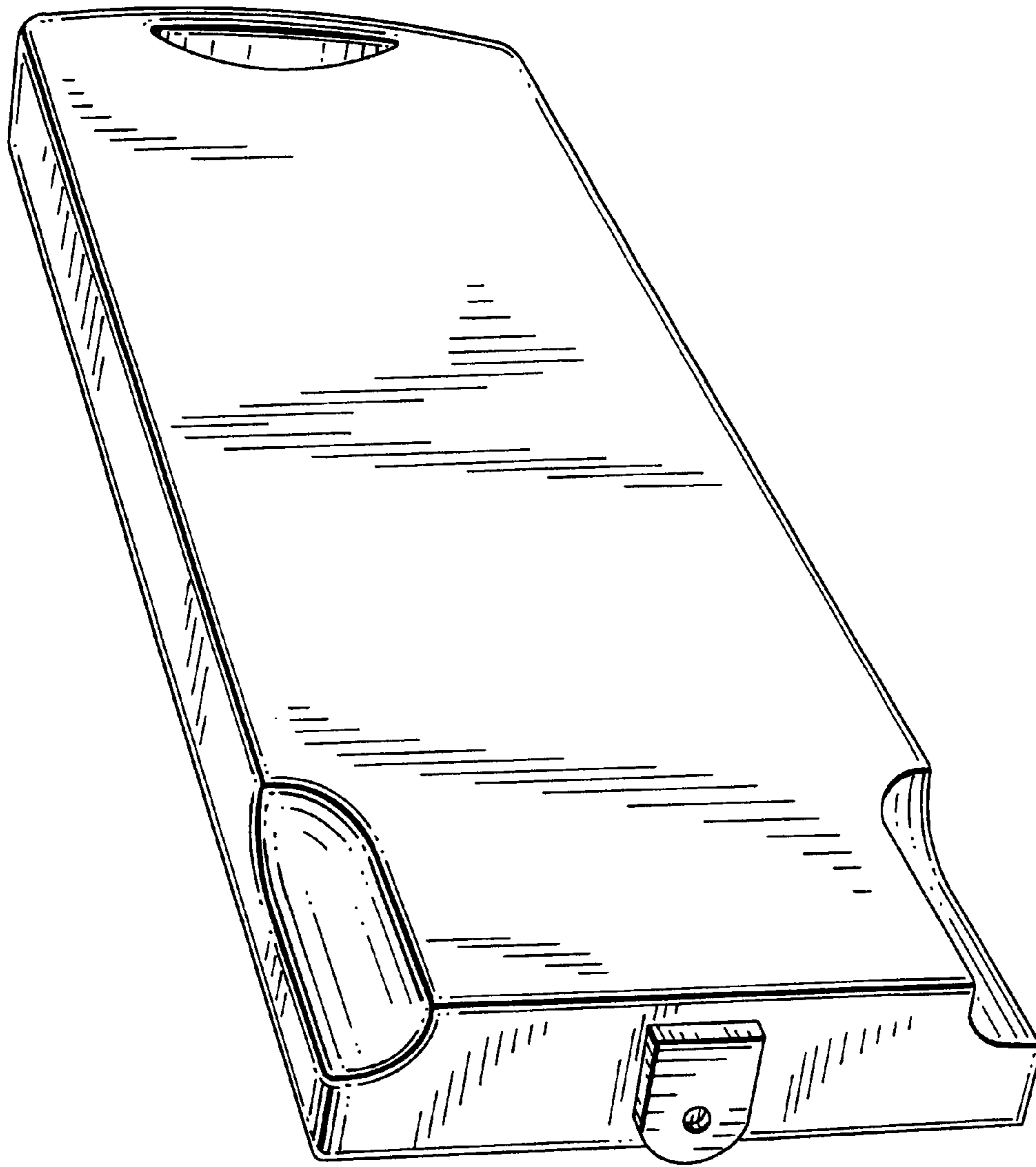


FIG. 2

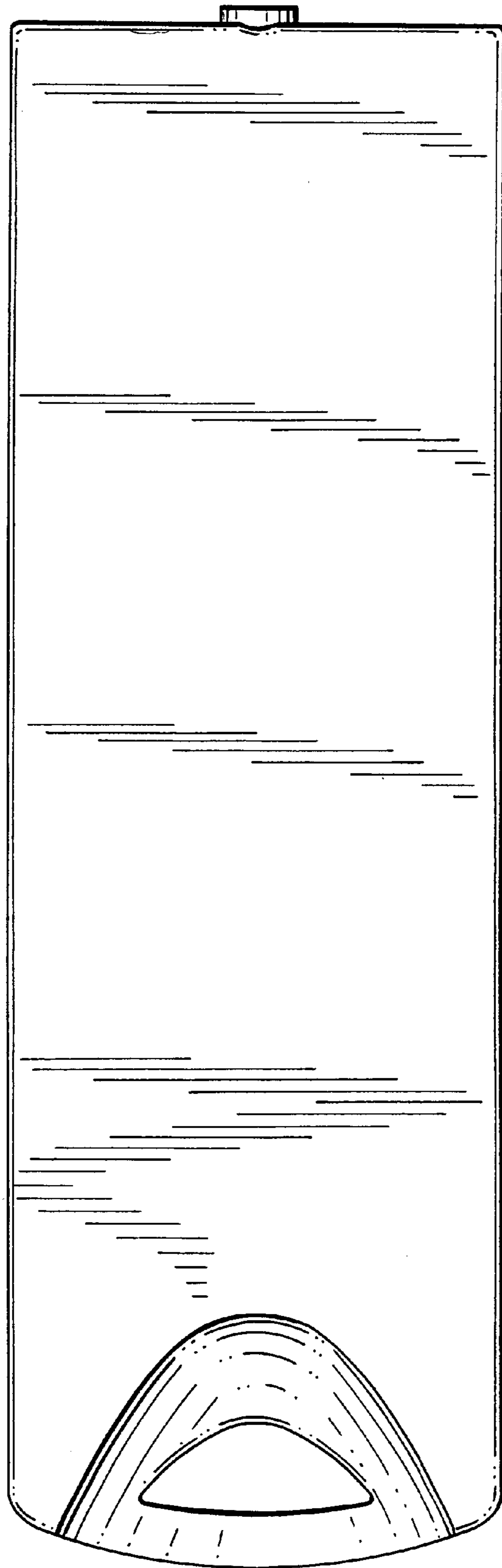


FIG. 3

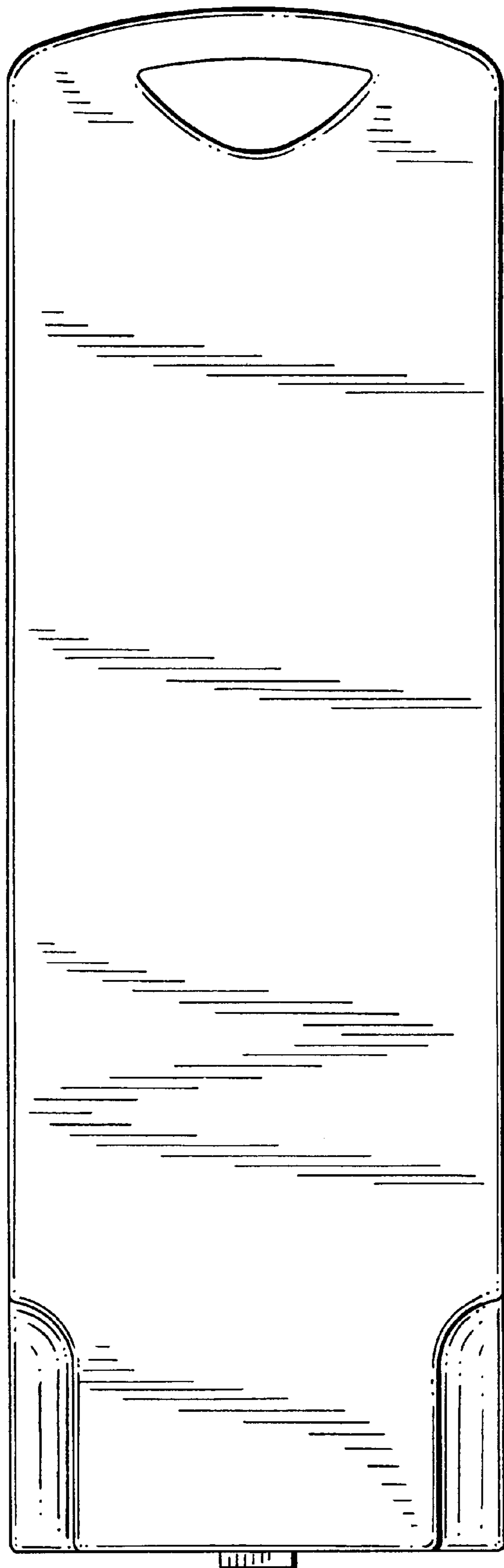


FIG. 4

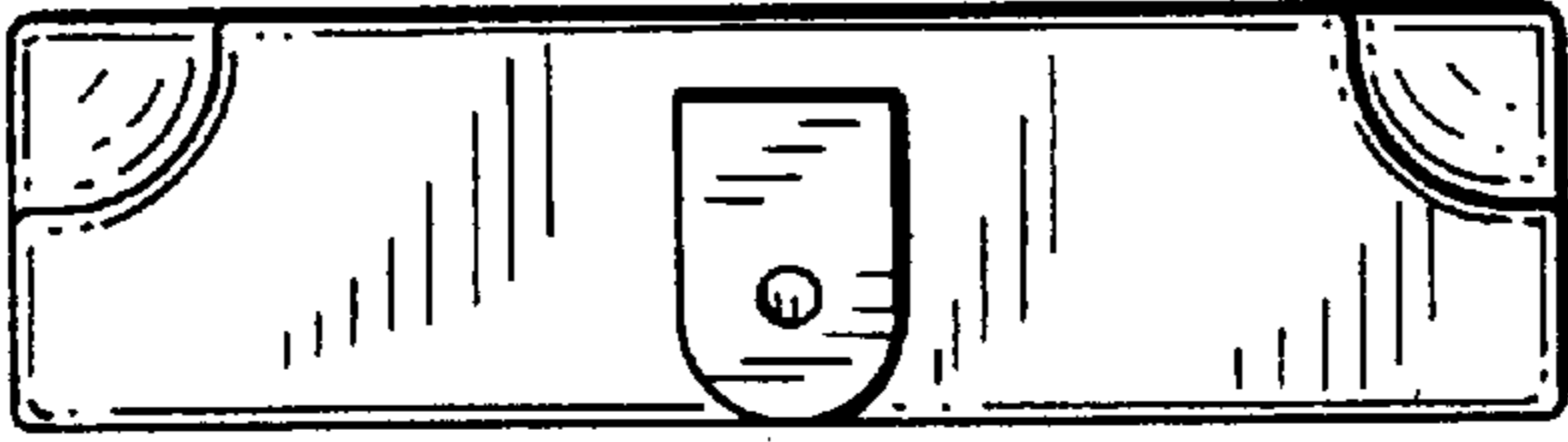


FIG. 5

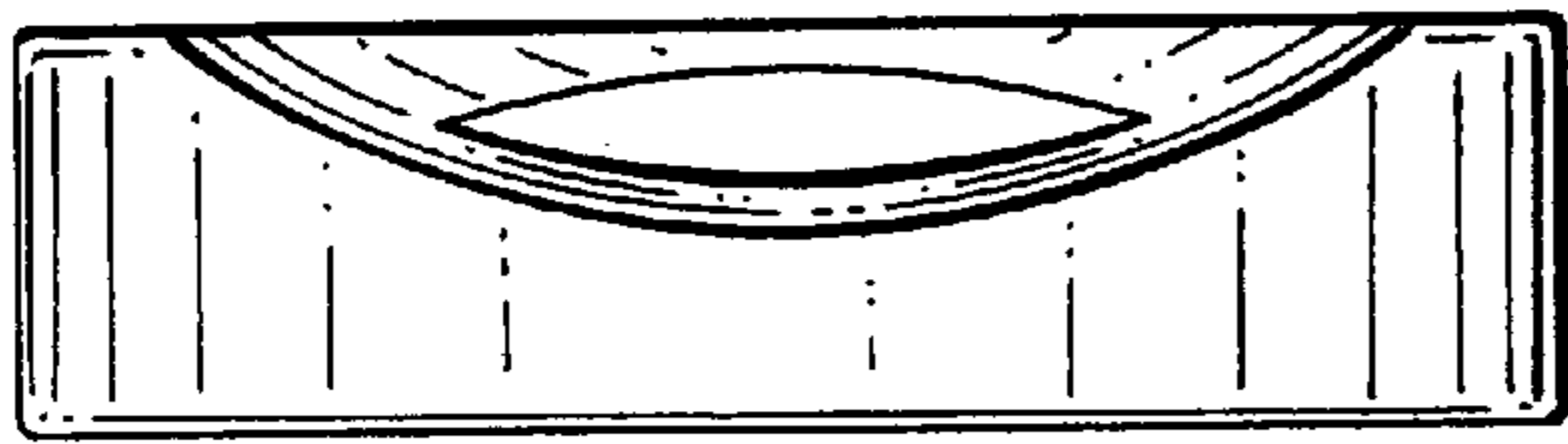


FIG. 6

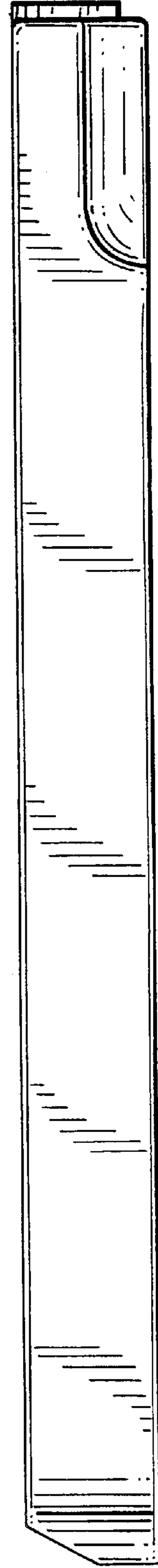


FIG. 7