



US00D525650S

(12) **United States Design Patent**
Omuro et al.

(10) **Patent No.:** **US D525,650 S**
(45) **Date of Patent:** **** Jul. 25, 2006**

(54) **MULTI-FUNCTION PRINTER**

(75) Inventors: **Makoto Omuro**, Matsumoto (JP);
Toshiya Matsuse, Shiojiri (JP); **Kenichi Hirabayashi**, Shiojiri (JP)

(73) Assignee: **Seiko Epson Corporation** (JP)

(**) Term: **14 Years**

(21) Appl. No.: **29/202,752**

(22) Filed: **Apr. 2, 2004**

(30) **Foreign Application Priority Data**

Nov. 13, 2003 (JP) 2003-033941
Nov. 13, 2003 (JP) 2003-033942
Nov. 13, 2003 (JP) 2003-033943

(51) **LOC (8) Cl.** **18-02**

(52) **U.S. Cl.** **D18/50**

(58) **Field of Classification Search** D18/19,
D18/36-41, 50, 53, 54, 54.1, 55; D14/420-425,
D14/462-470; 400/613, 613.1-613.4, 690.1-690.4
See application file for complete search history.

(56) **References Cited**

U.S. PATENT DOCUMENTS

D236,489 S * 8/1975 Pycha et al. D14/359
D294,367 S * 2/1988 Nishibori et al. D18/54.1
D297,237 S * 8/1988 Long D18/55
D297,326 S * 8/1988 Williams D18/55
D304,457 S * 11/1989 Tsukada D18/54.1
D319,633 S * 9/1991 Nogawa D18/19
D323,526 S * 1/1992 Kobayashi D18/54
D343,408 S * 1/1994 Hermann D18/50
D359,951 S * 7/1995 Nair et al. D14/387
D368,896 S * 4/1996 Gannon et al. D14/386
D424,100 S * 5/2000 Hesselbach D18/50
6,789,969 B1 * 9/2004 Hirabayashi et al. 400/693

D509,240 S * 9/2005 Kimura et al. D18/50

* cited by examiner

Primary Examiner—Louis S. Zarfes

Assistant Examiner—Anhdao Doan

(74) *Attorney, Agent, or Firm*—Harness, Dickey & Pierce,
P.L.C.

(57) **CLAIM**

The ornamental design for a multi-function printer, as shown and described.

DESCRIPTION

FIG. 1 is a top, right side perspective view of a multi-function printer embodying our new design;

FIG. 2 is a top, left side perspective view thereof in which the driver licenses are shown in broken lines depicting the driver licenses as entering at the right and exiting at the left of the printer that form no part of the claimed invention;

FIG. 3 is a right side view thereof;

FIG. 4 is a left side view thereof;

FIG. 5 is a front view thereof;

FIG. 6 is a rear view thereof;

FIG. 7 is a top view thereof;

FIG. 8 is a bottom view thereof;

FIG. 9 is a top, right side perspective view of a second embodiment of the multi-function printer embodying our new design;

FIG. 10 is top, left side perspective view thereof in which the driver licenses are shown in broken lines depicting the driver licenses as entering at the right and exiting at the left of the printer that form no part of the claimed invention;

FIG. 11 is a right side view thereof;

FIG. 12 is a left side view thereof;

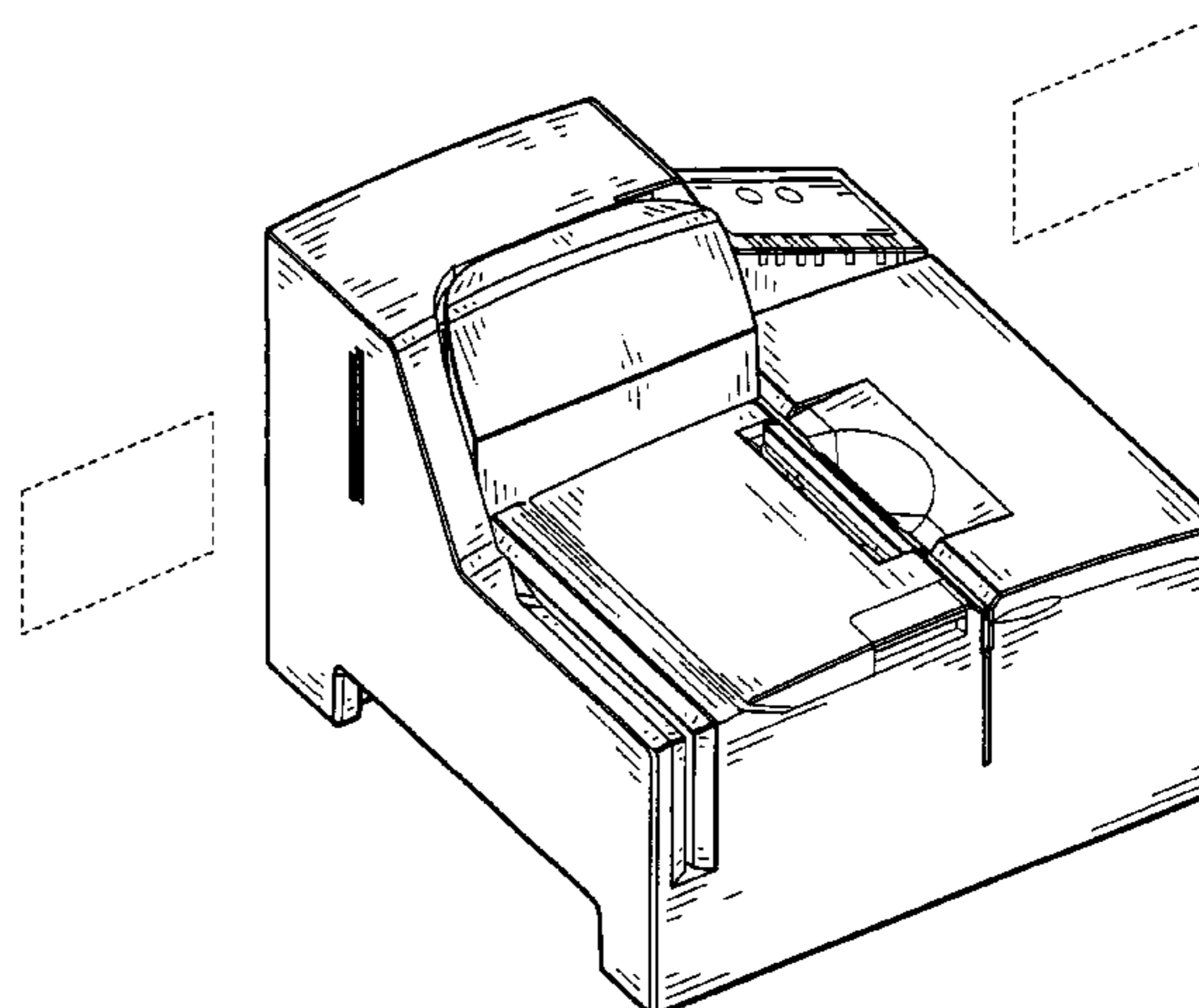
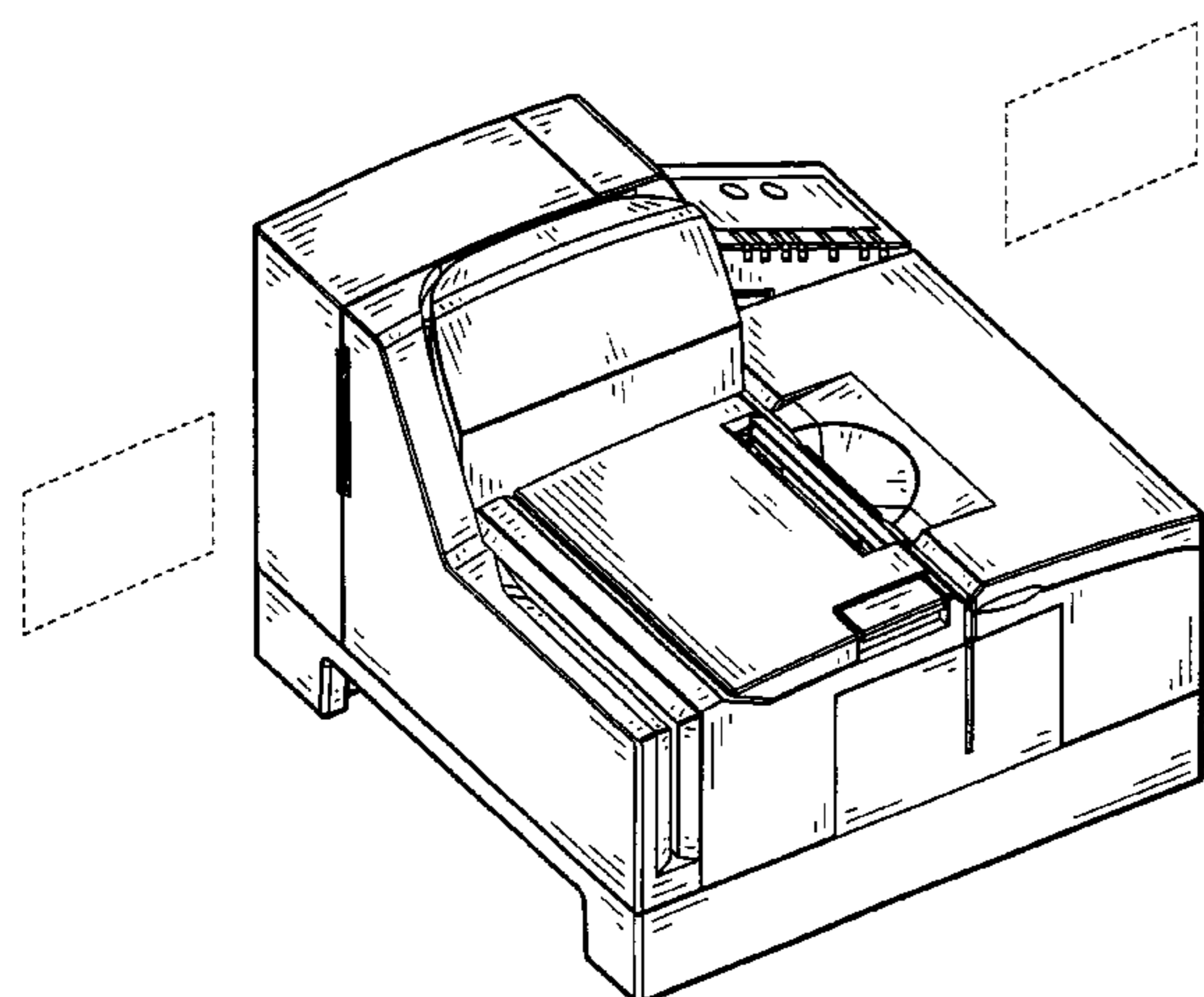
FIG. 13 is a front view thereof;

FIG. 14 is a rear view thereof;

FIG. 15 is a top view thereof; and,

FIG. 16 is a bottom view thereof.

1 Claim, 8 Drawing Sheets



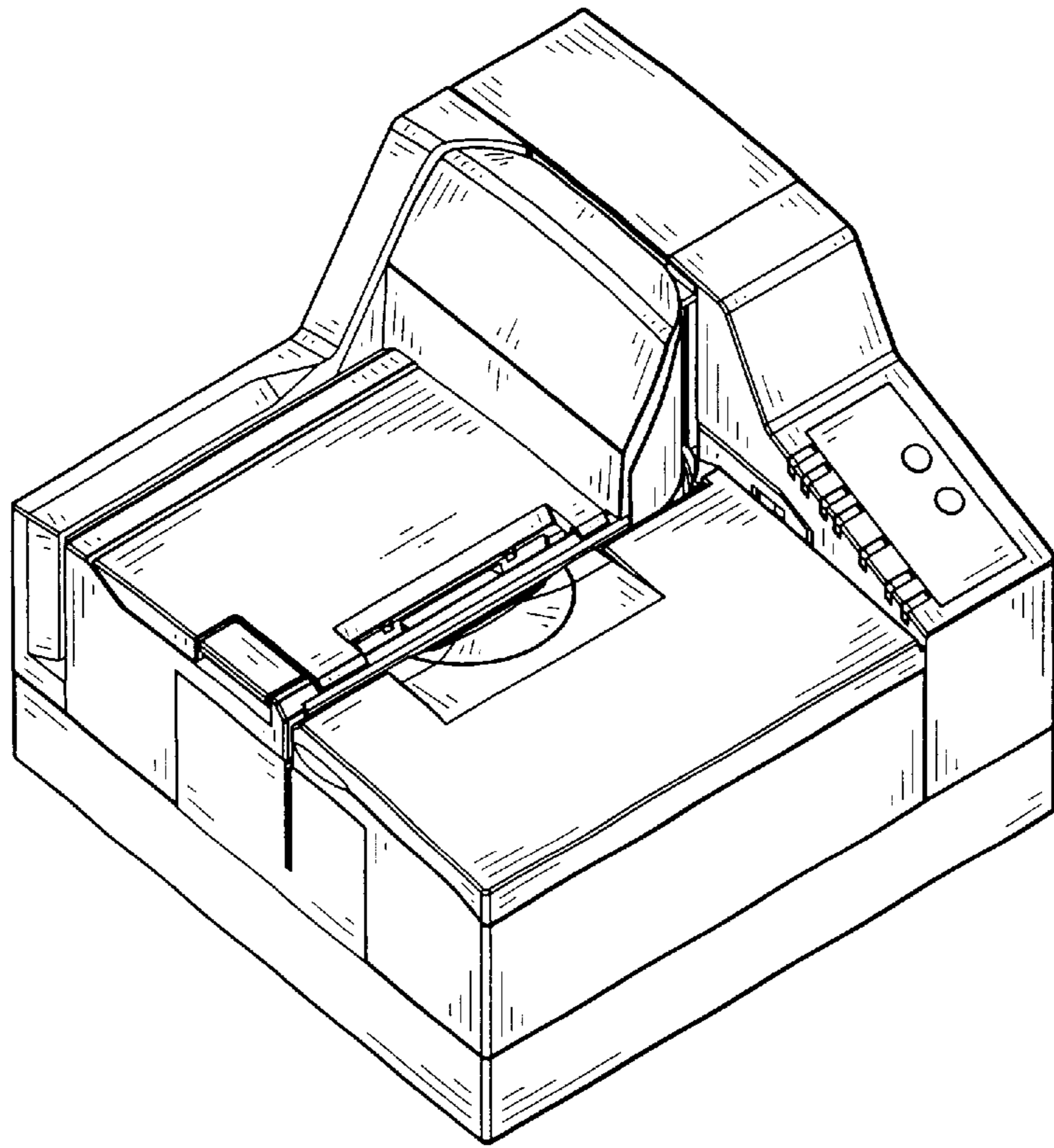


FIG. 1

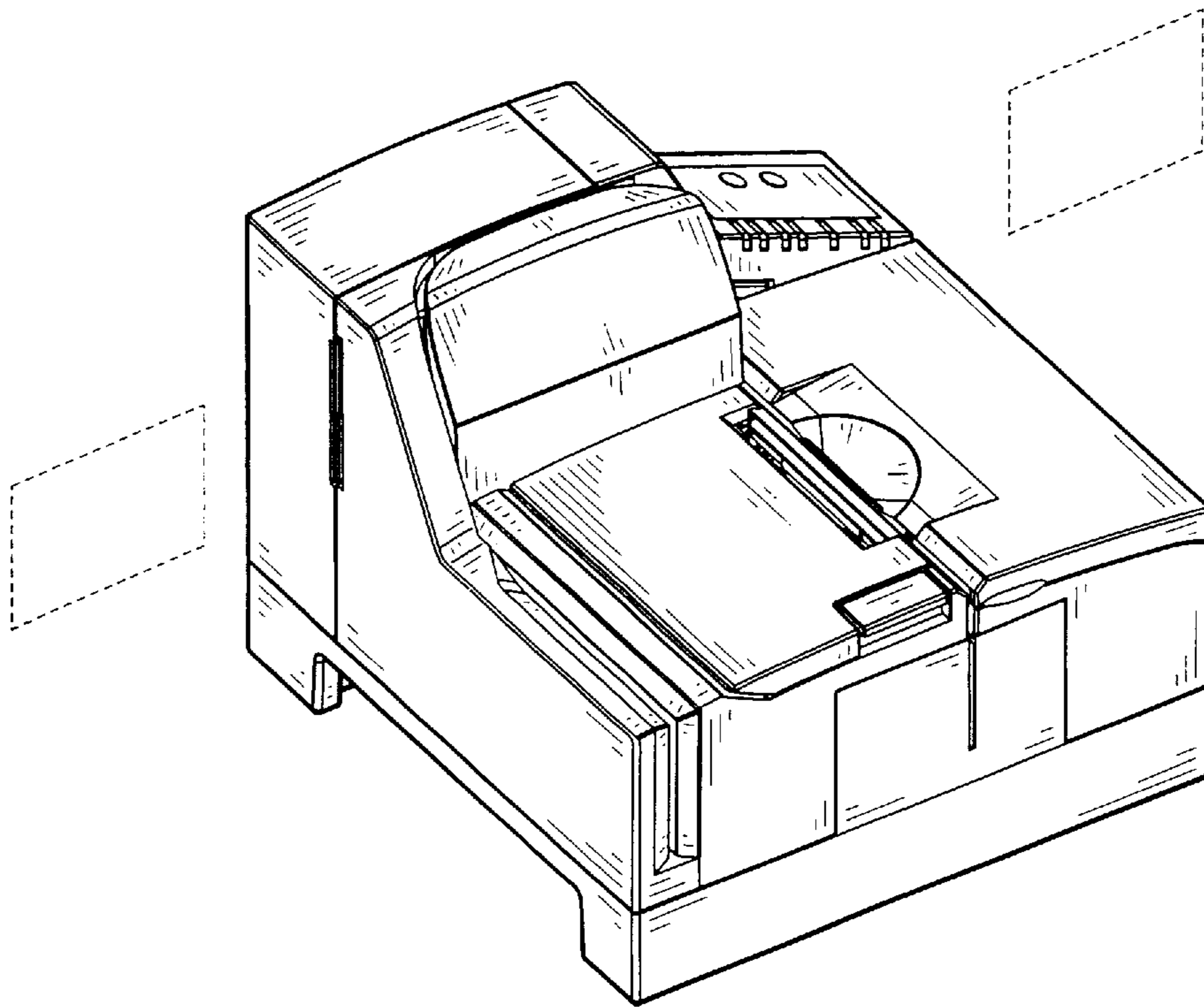


FIG. 2

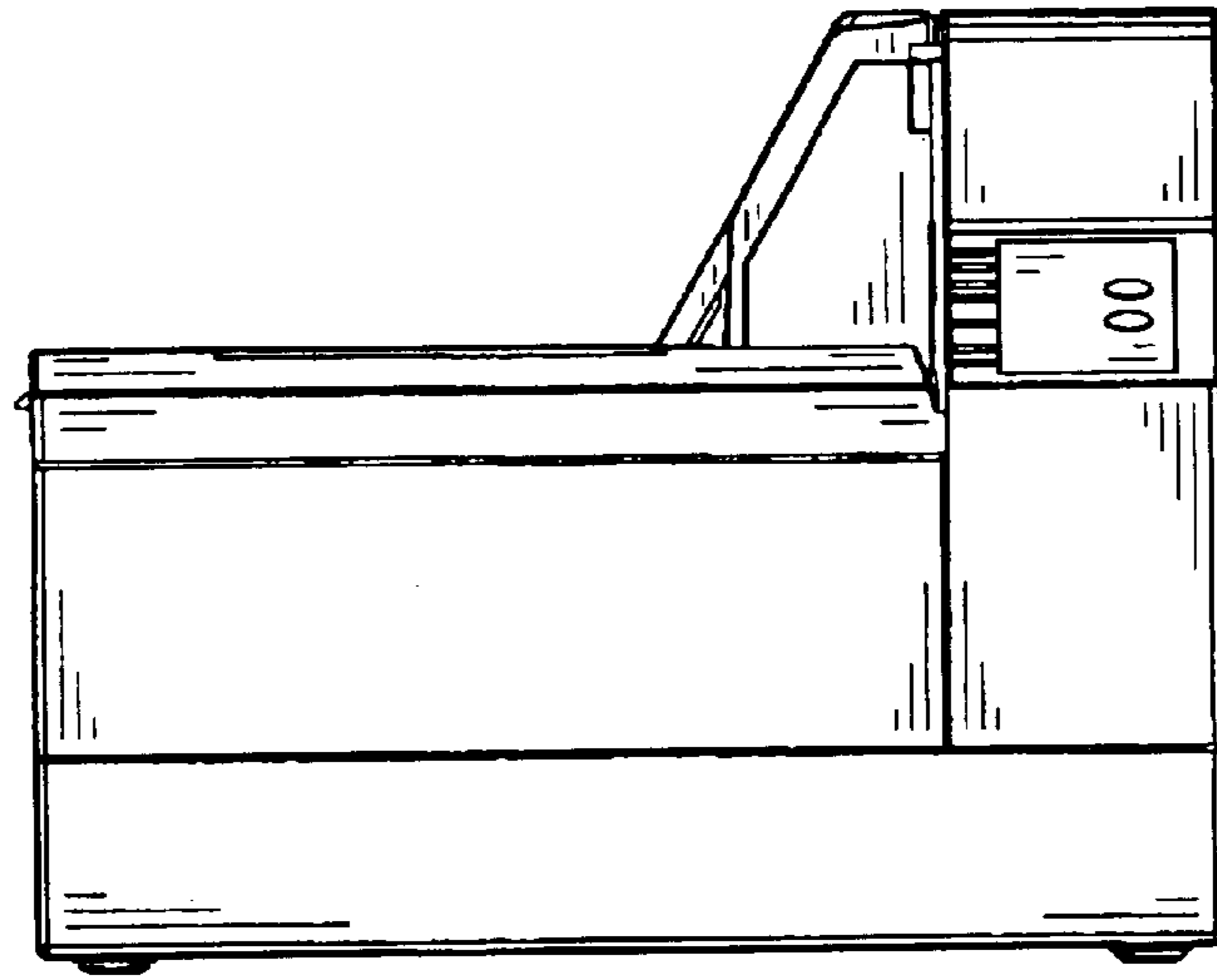


FIG. 3

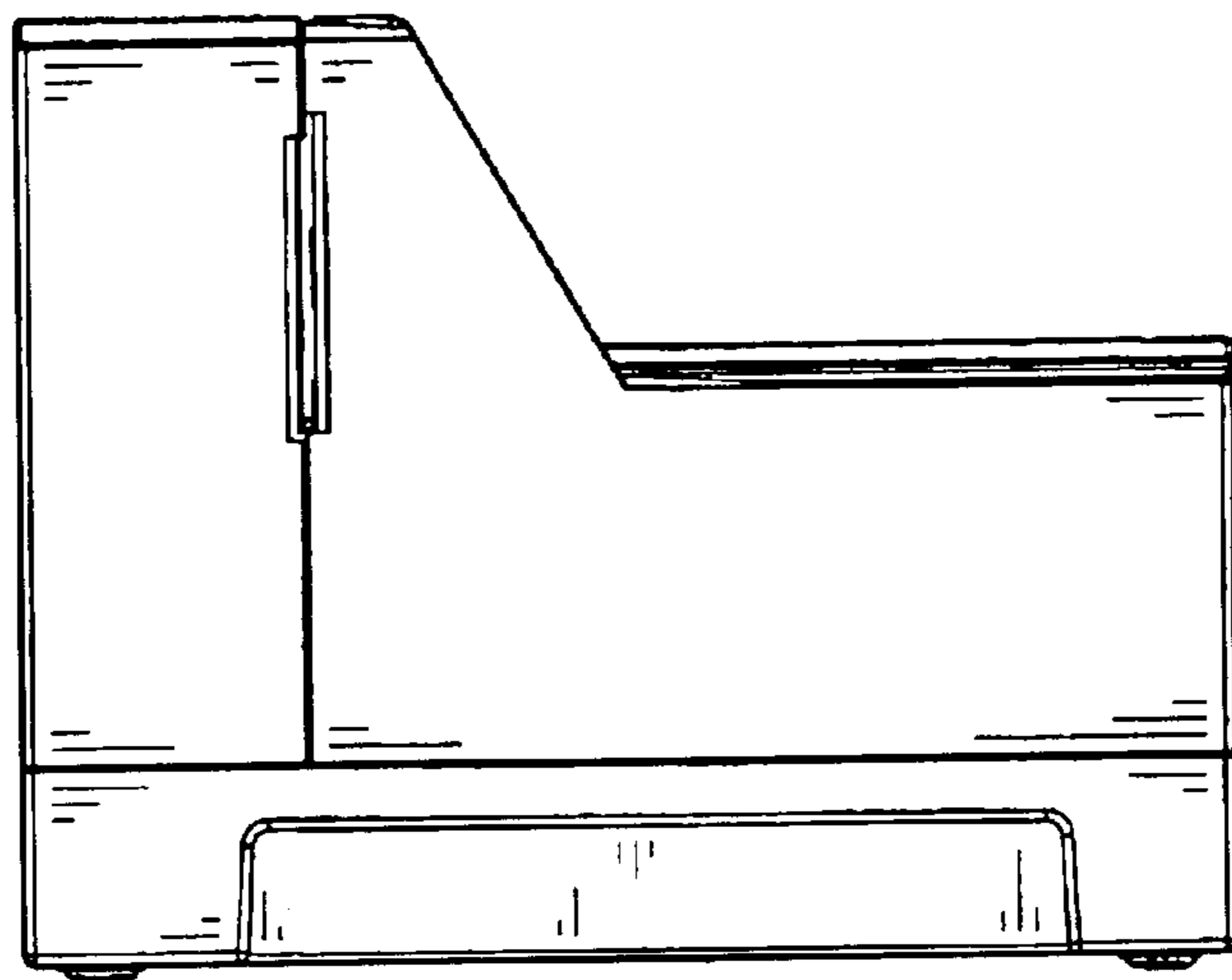


FIG. 4

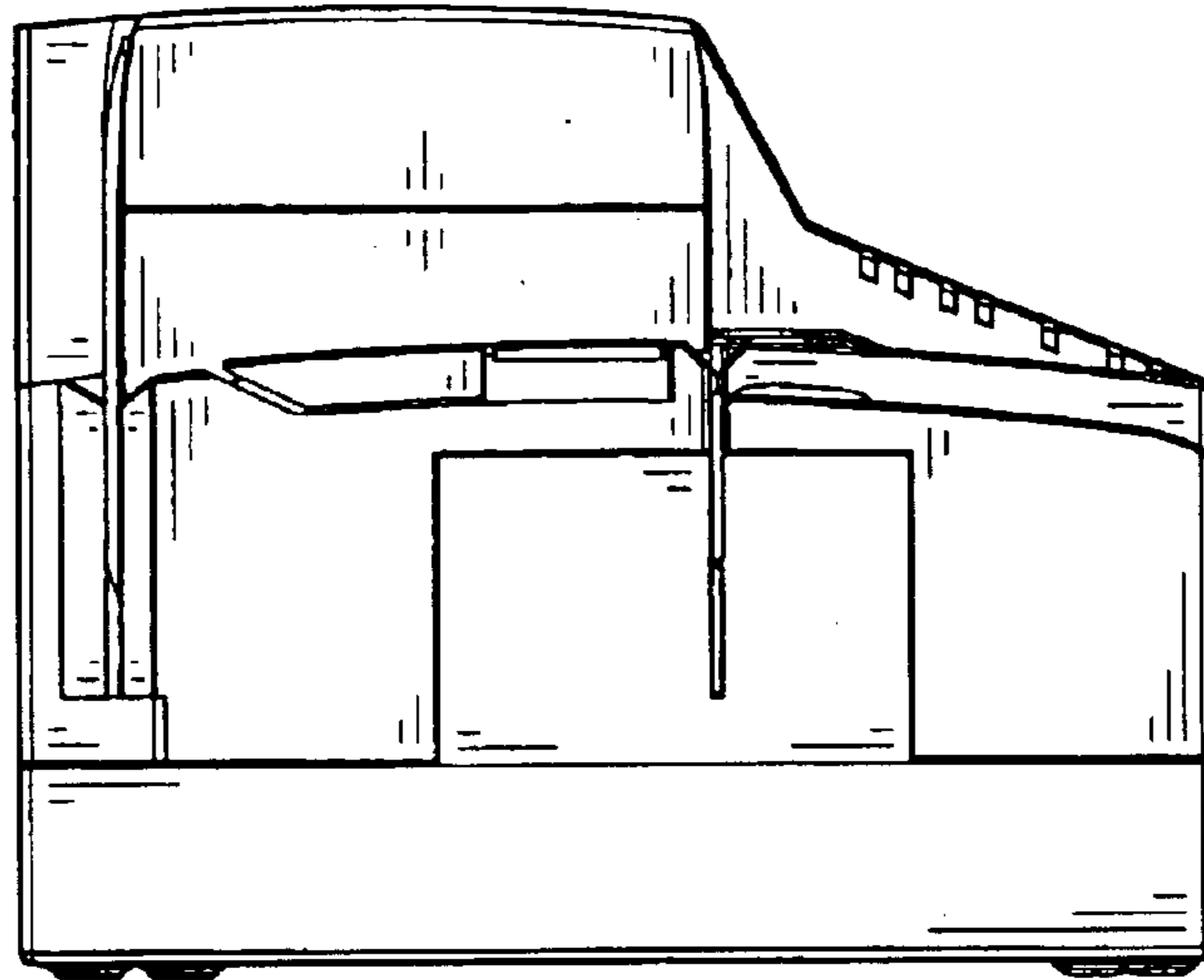


FIG. 5

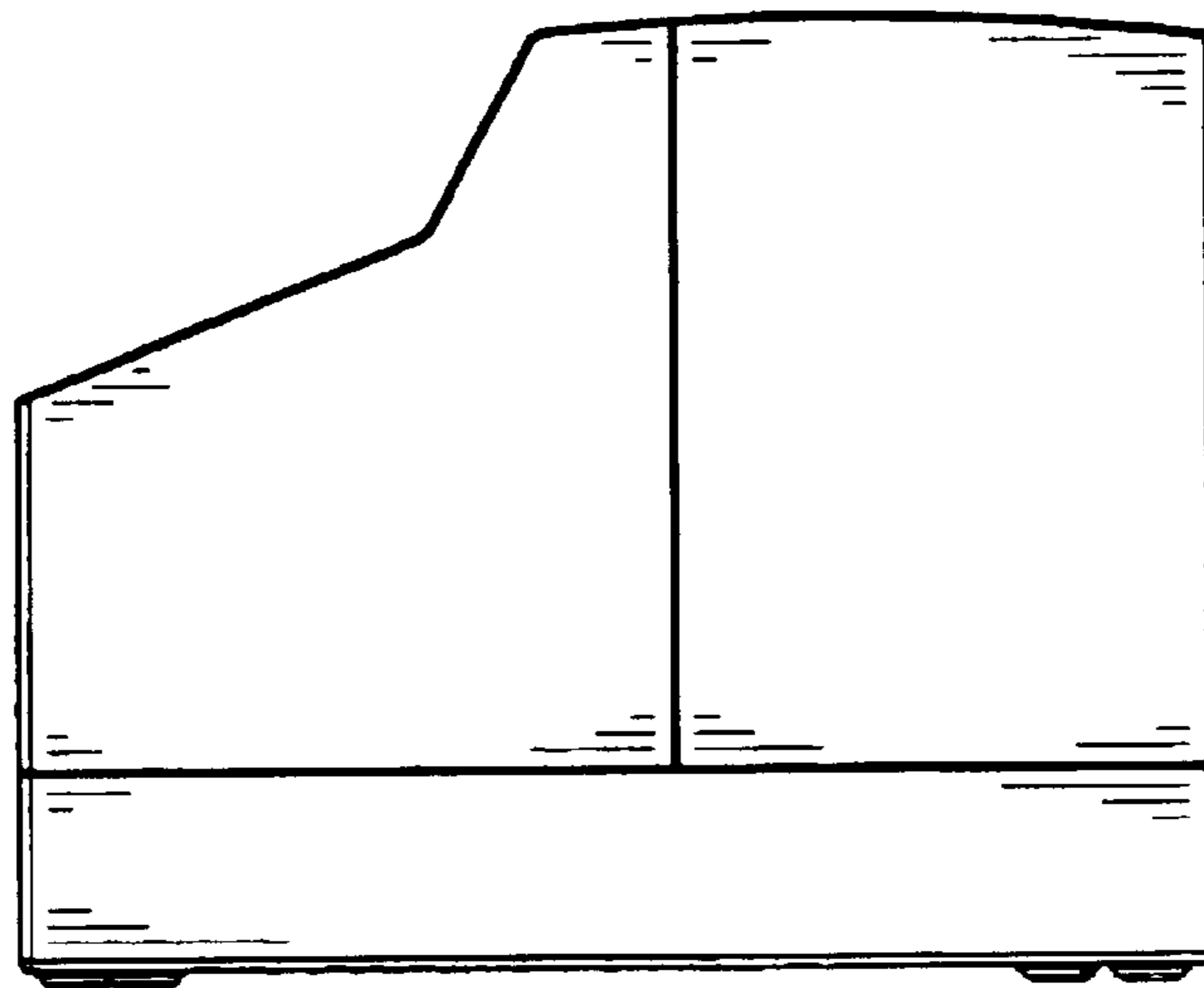


FIG. 6

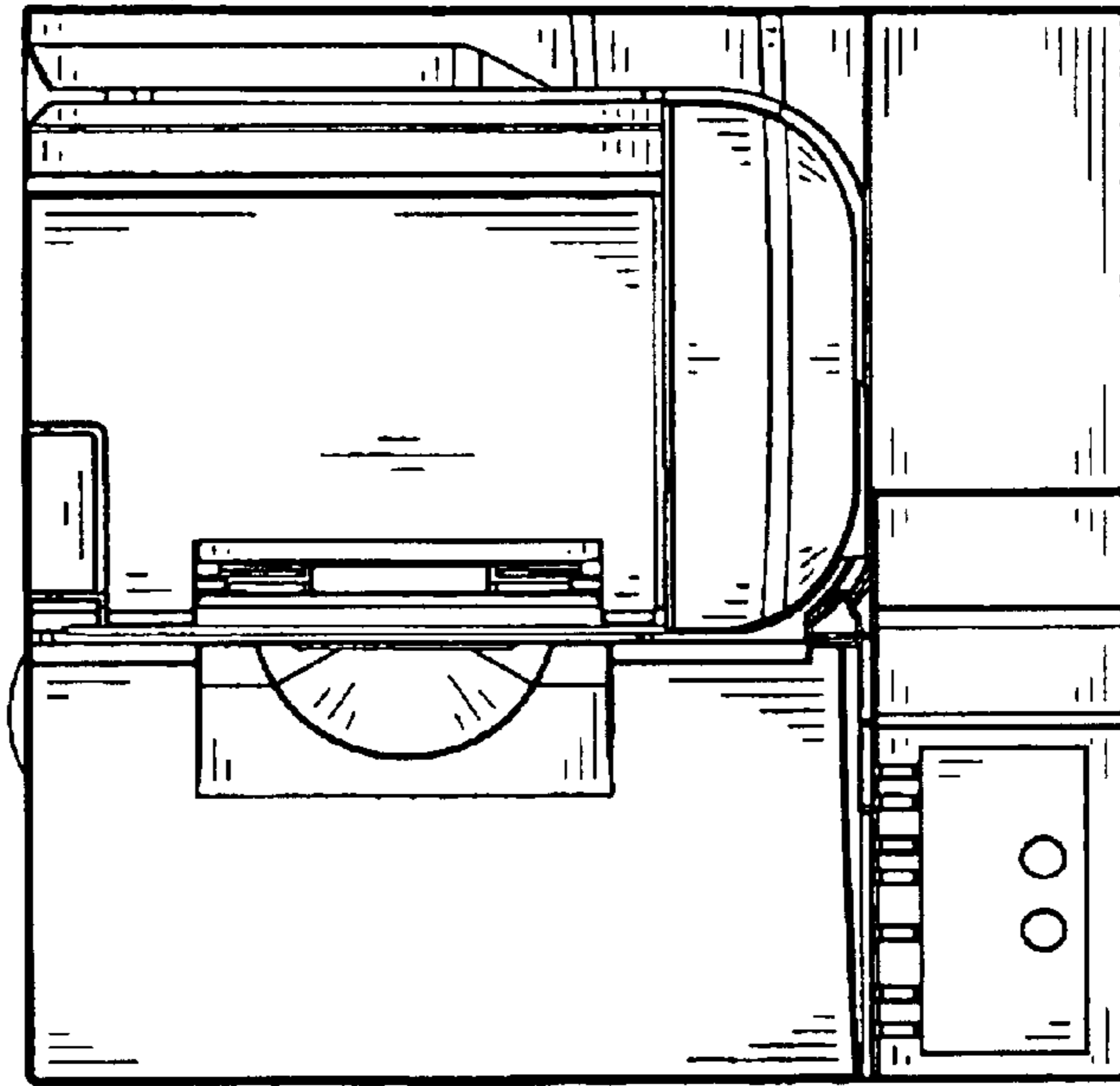


FIG. 7

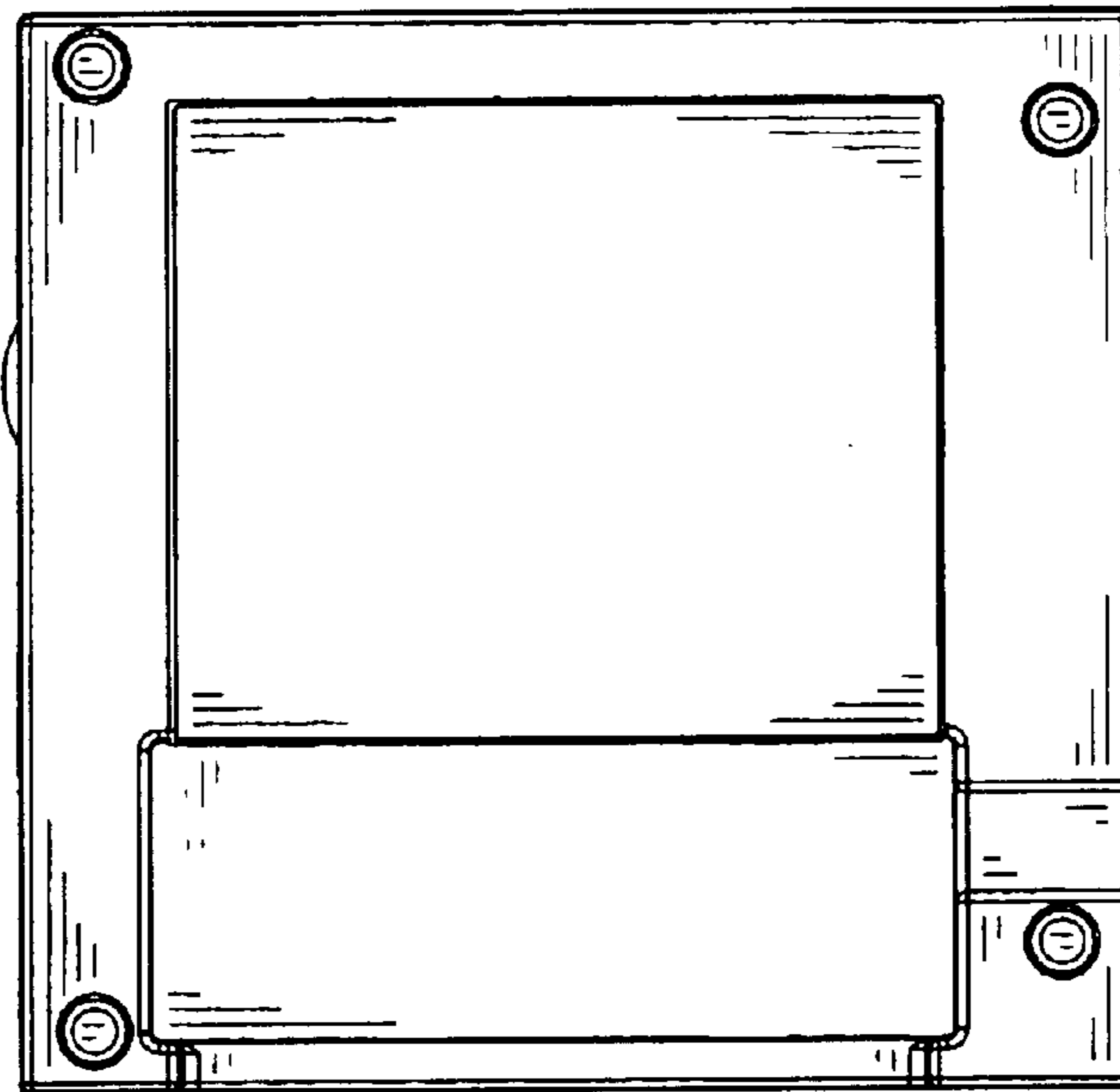


FIG. 8

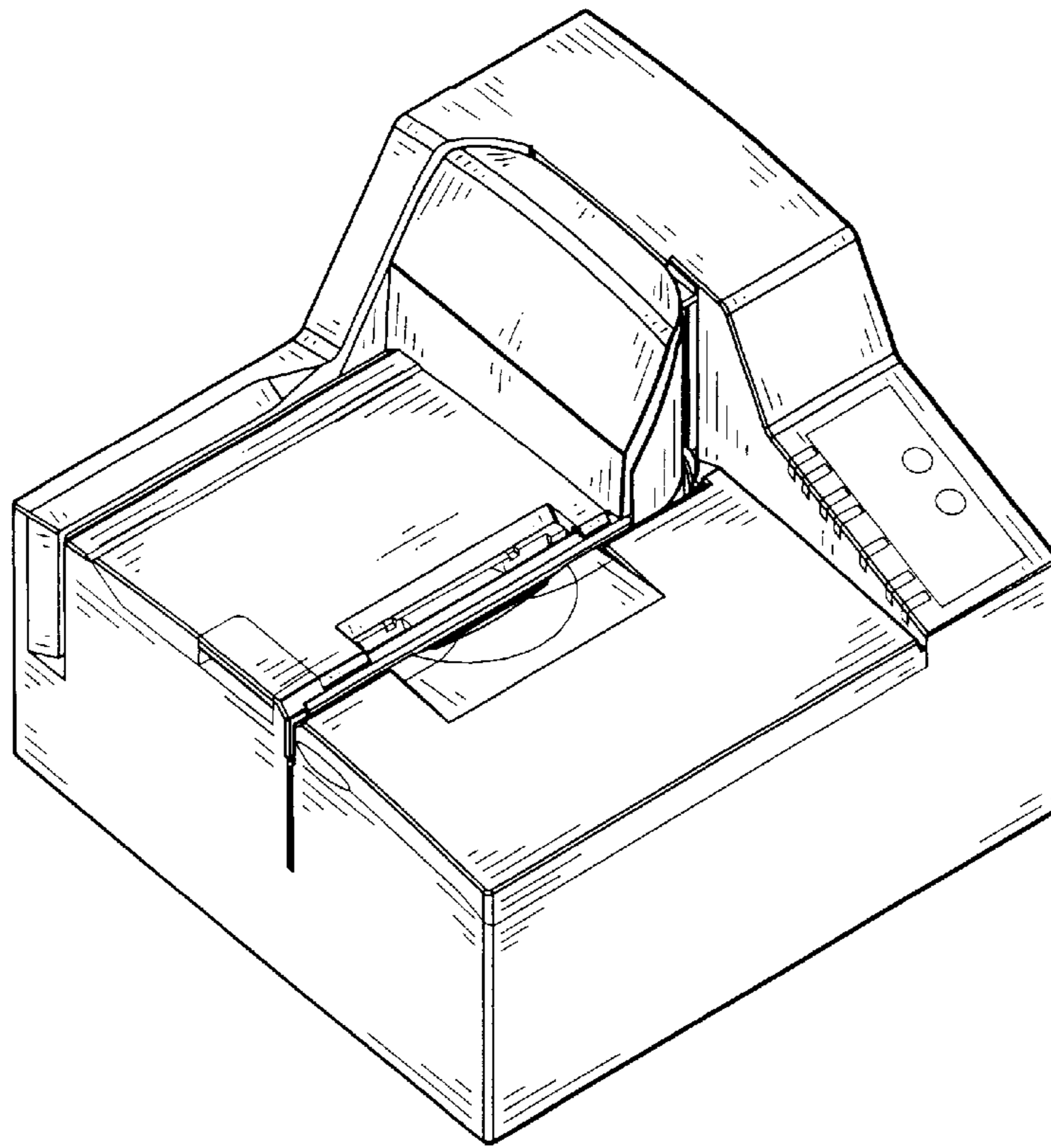


FIG. 9

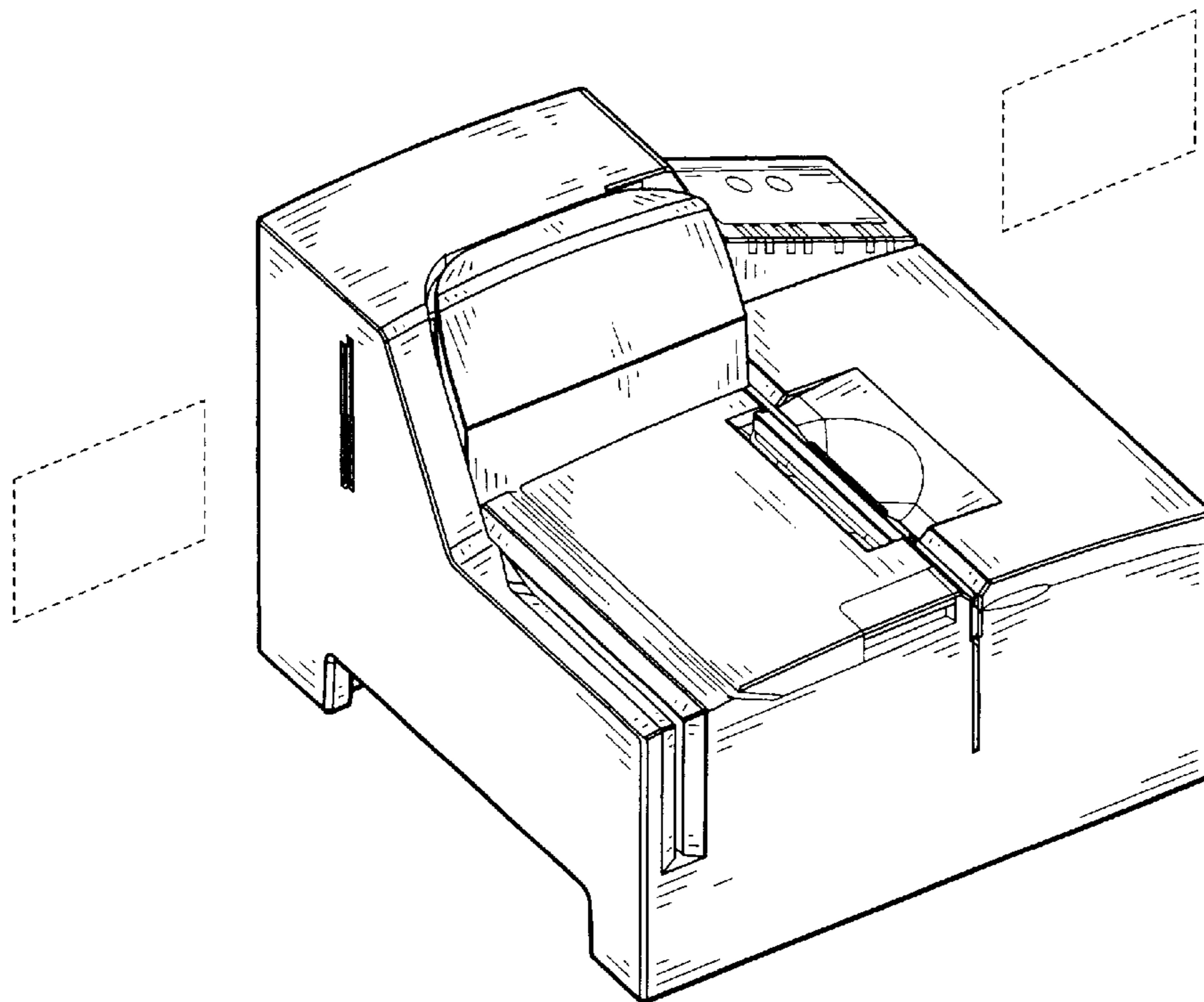


FIG. 10

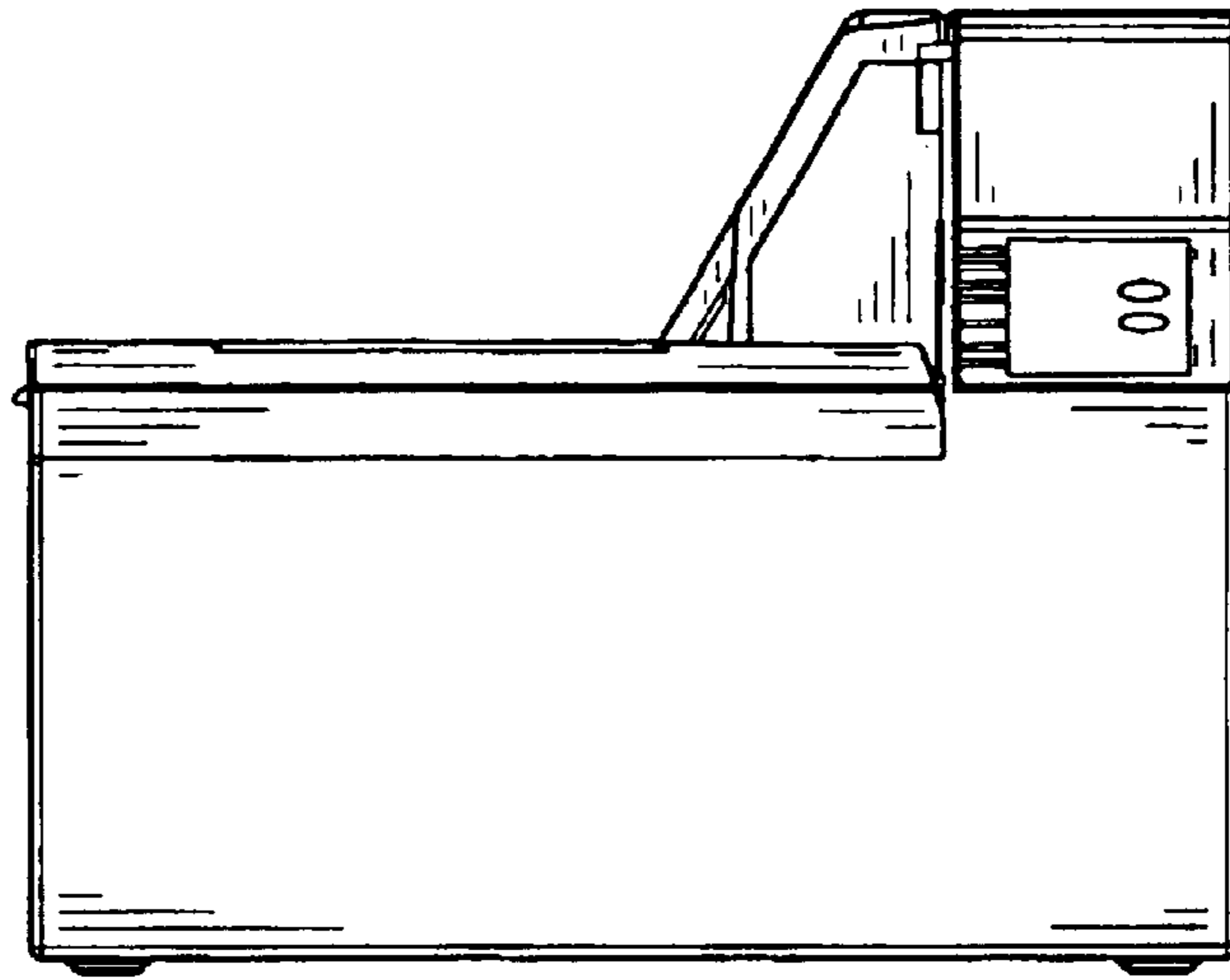


FIG. 11

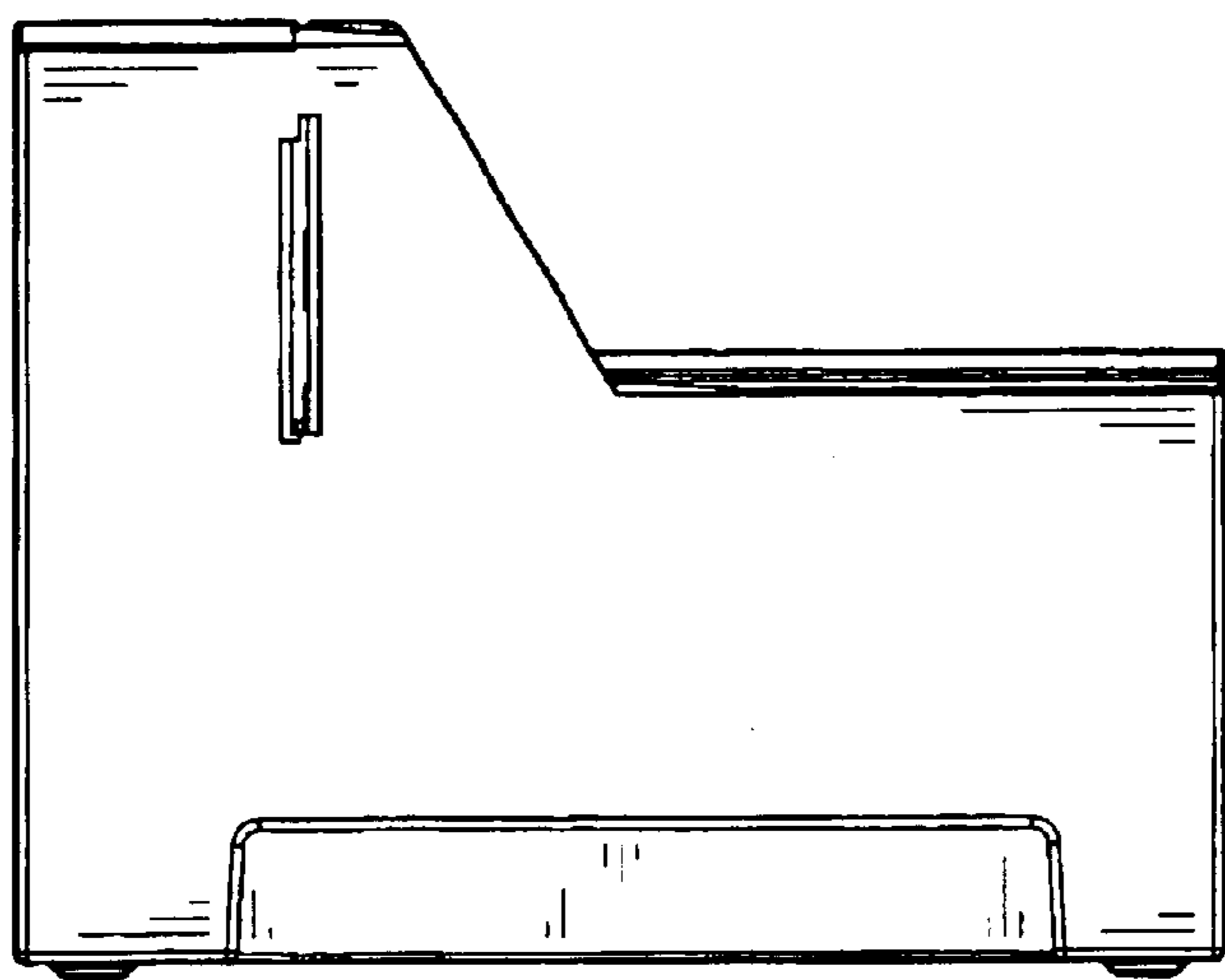


FIG. 12

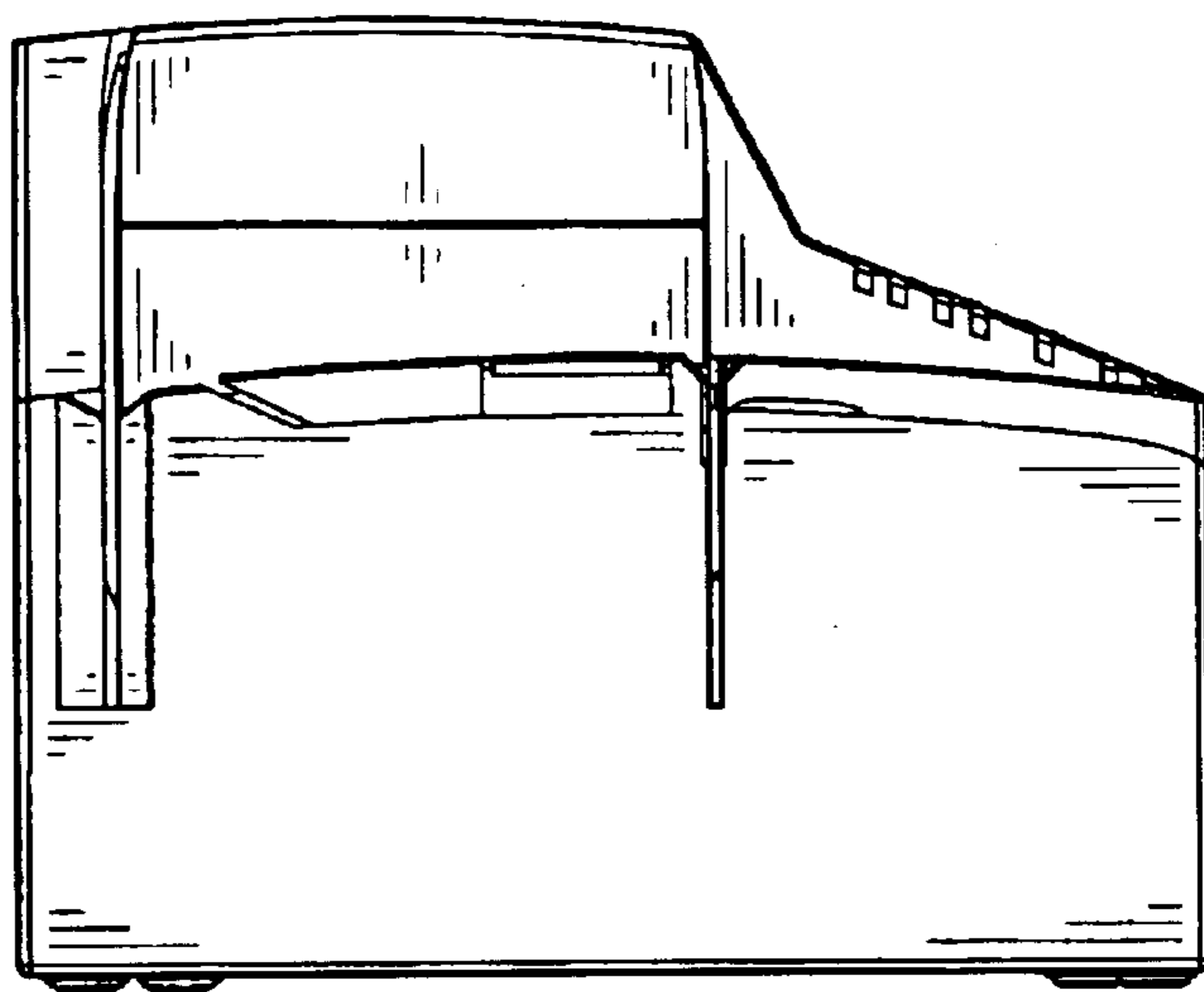


FIG. 13

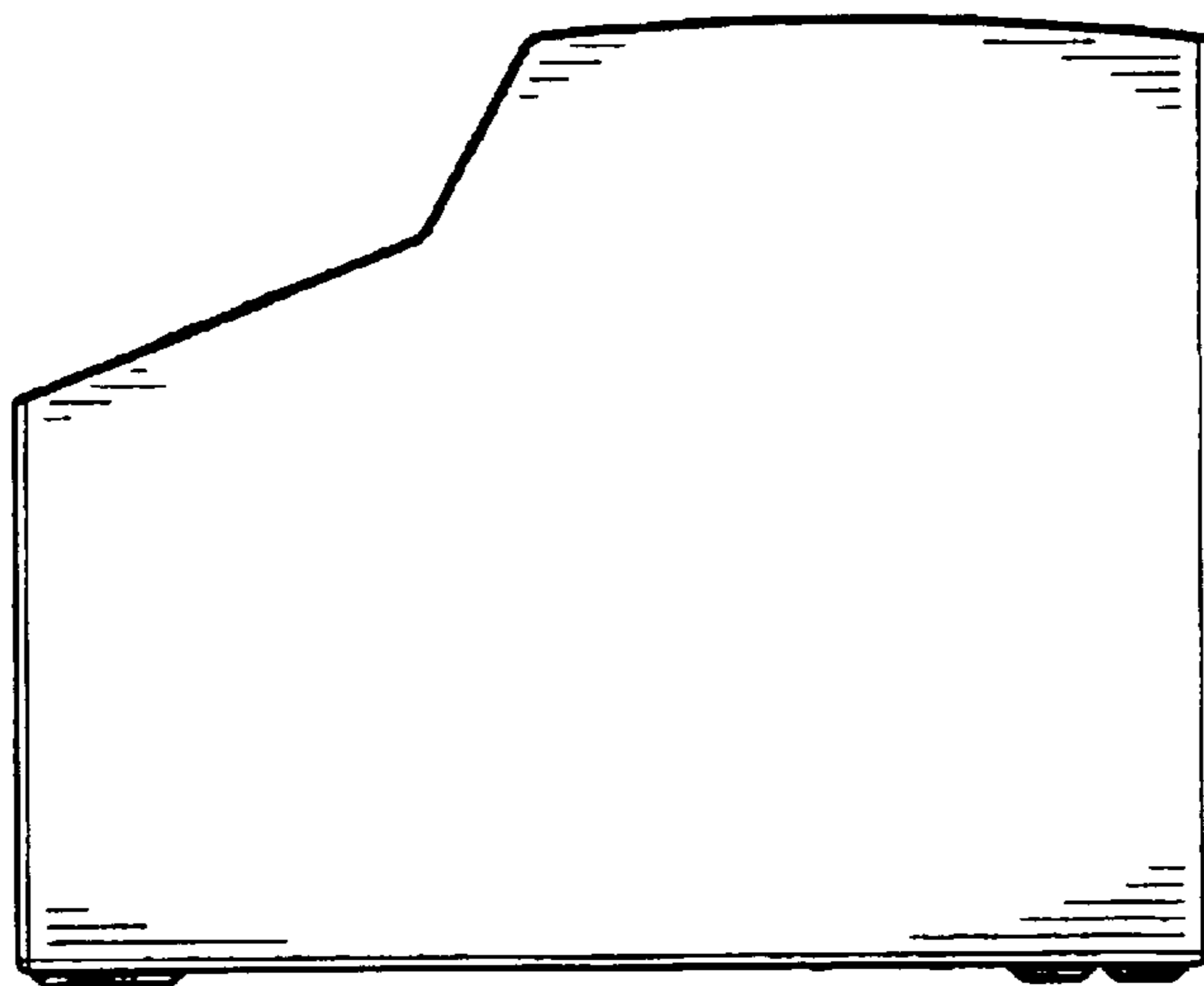


FIG. 14

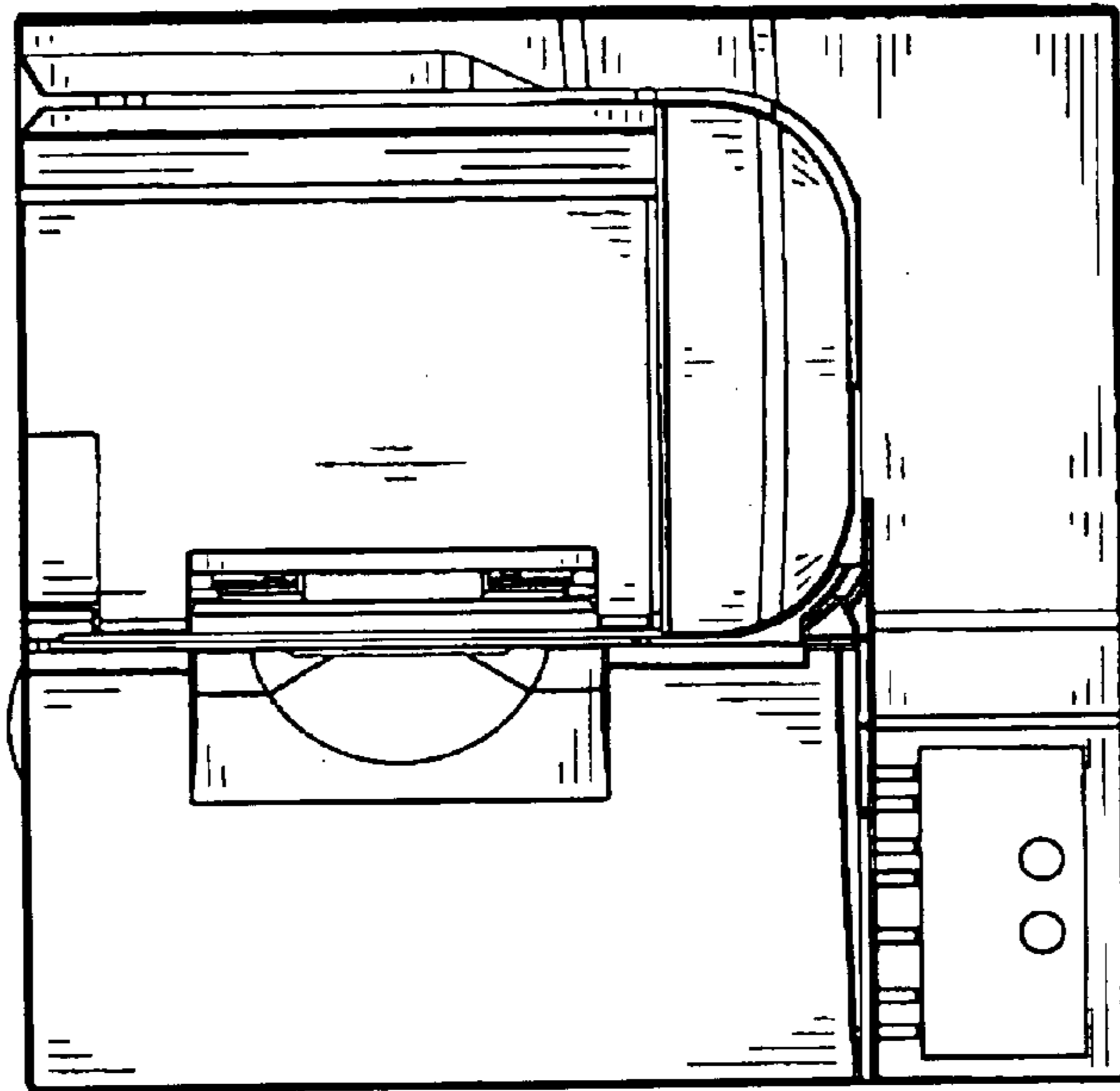


FIG. 15

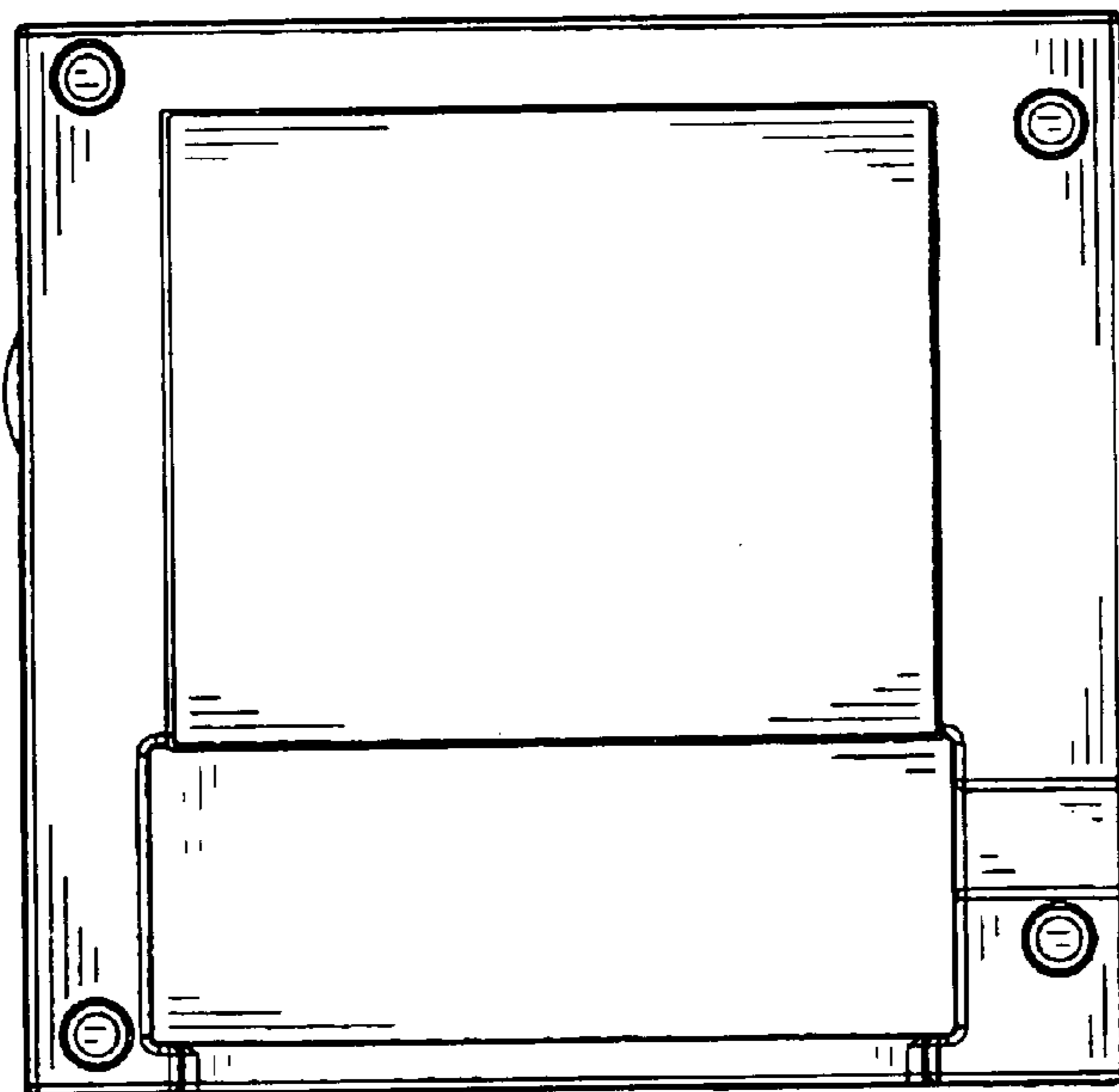


FIG. 16

UNITED STATES PATENT AND TRADEMARK OFFICE
CERTIFICATE OF CORRECTION

PATENT NO. : Des. 525,650 S
APPLICATION NO. : 29/202752
DATED : July 25, 2006
INVENTOR(S) : Makoto Omuro and Toshiya Matsuse

Page 1 of 1

It is certified that error appears in the above-identified patent and that said Letters Patent is hereby corrected as shown below:

Title Page, Item (75), Inventors: delete third inventor "Kenichi Hirabayashi, Shiojiri (JP)"

Signed and Sealed this

Thirty-first Day of August, 2010

A handwritten signature in black ink that reads "David J. Kappos". The signature is written in a cursive, flowing style.

David J. Kappos
Director of the United States Patent and Trademark Office