



US00D525642S

(12) **United States Design Patent**  
**Yamaguchi**

(10) **Patent No.:** **US D525,642 S**

(45) **Date of Patent:** **\*\* Jul. 25, 2006**

- (54) **TRIPOD HEAD FOR CAMERAS**
- (75) Inventor: **Minoru Yamaguchi, Yashio (JP)**
- (73) Assignee: **Heiwa Seiki Kogyo, Saitama (JP)**
- (\*\*) Term: **14 Years**
- (21) Appl. No.: **29/211,965**
- (22) Filed: **Aug. 25, 2004**
- (30) **Foreign Application Priority Data**  
Feb. 26, 2004 (JP) ..... 2004-5605
- (51) **LOC (8) Cl.** ..... **16-05**
- (52) **U.S. Cl.** ..... **D16/245**
- (58) **Field of Classification Search** ..... D16/244,  
D16/245; 248/187.1, 183.2, 278.1; 396/428  
See application file for complete search history.

- (56) **References Cited**  
**U.S. PATENT DOCUMENTS**  
D210,103 S \* 2/1968 Schnase ..... D16/245  
D246,528 S \* 11/1977 Miller ..... D16/245  
D292,982 S \* 12/1987 Nakatani ..... D16/245  
4,959,671 A \* 9/1990 Ishikawa ..... 396/428  
D323,339 S \* 1/1992 Ishikawa ..... D16/245

D327,085 S \* 6/1992 Miyauchi ..... D16/245  
6,827,319 B1 \* 12/2004 Mayr ..... 248/187.1

\* cited by examiner

*Primary Examiner*—Adir Aronovich  
(74) *Attorney, Agent, or Firm*—Wenderoth, Lind & Ponack, L.L.P.

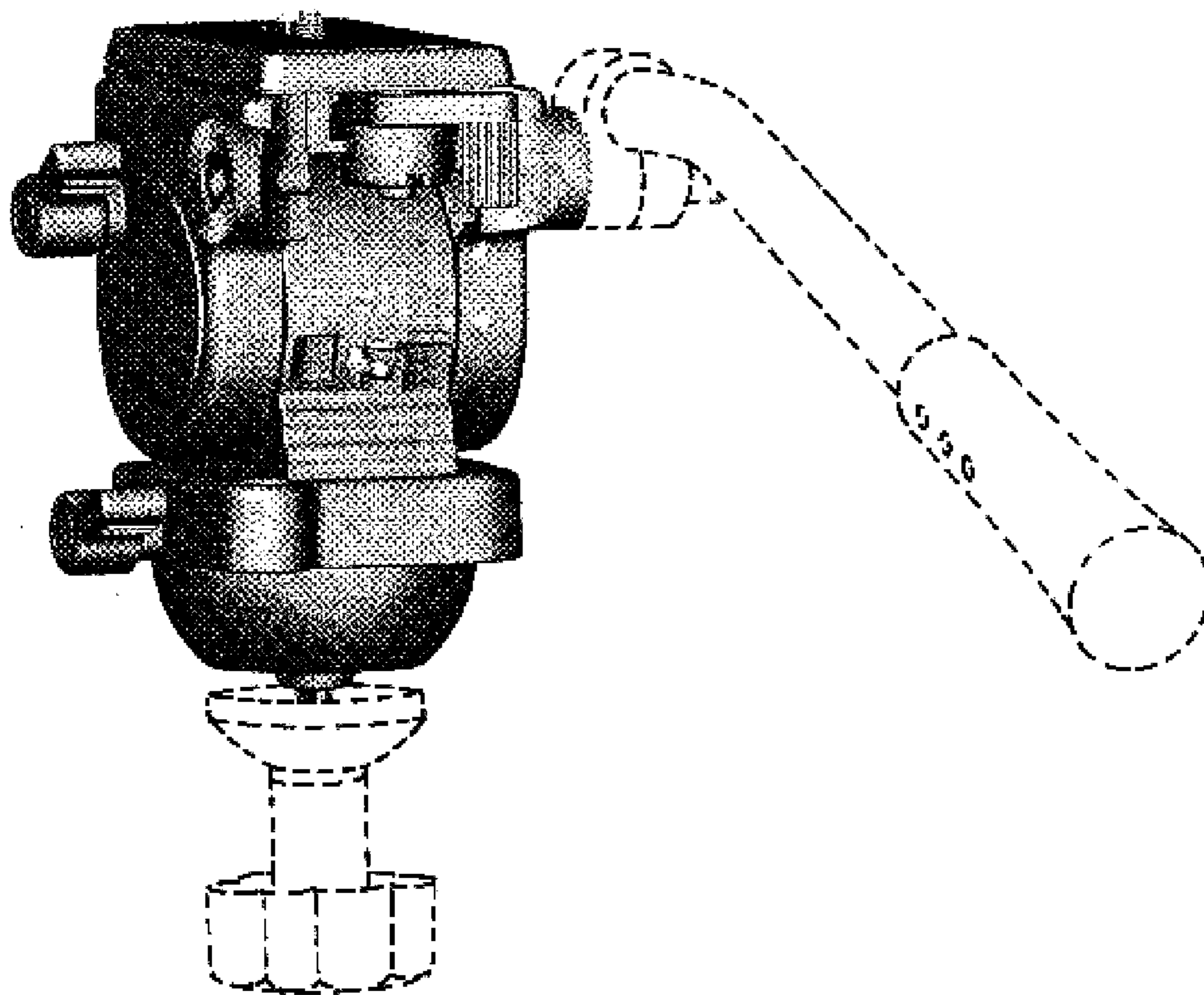
(57) **CLAIM**

The ornamental design for a tripod head for cameras, as shown and described.

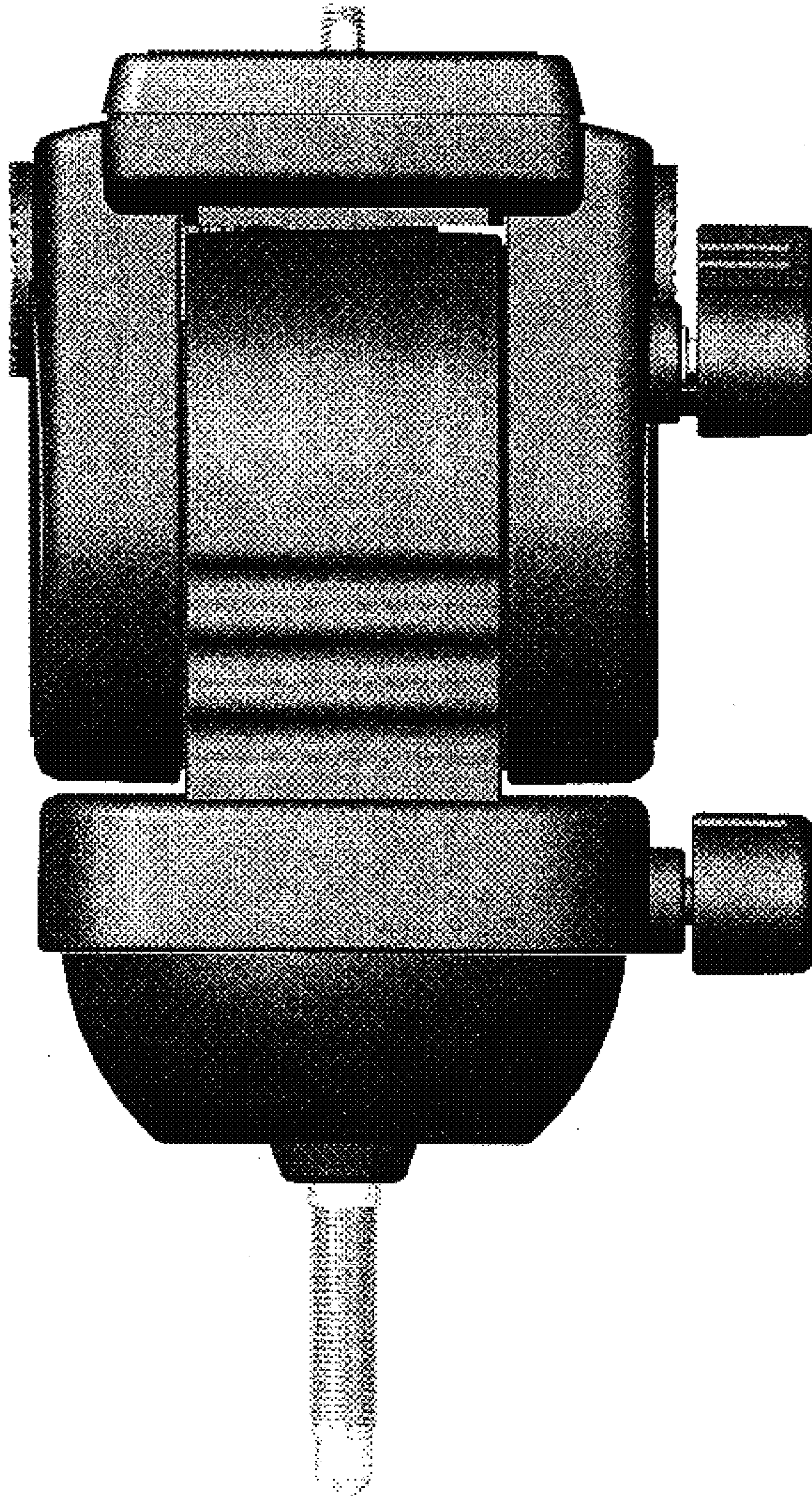
**DESCRIPTION**

FIG. 1 is a front view of a tripod head for cameras according to the present invention;  
FIG. 2 is a rear view of the tripod head for cameras;  
FIG. 3 is a right side view of the tripod head for cameras;  
FIG. 4 is a left side view of the tripod head for cameras;  
FIG. 5 is a top plan view of the tripod for cameras;  
FIG. 6 is a bottom plan view of the tripod for cameras;  
FIG. 7 is an enlarged partial rear view of the of the tripod for cameras, the rest of the view is omitted for ease of illustration; and,  
FIG. 8 is a perspective view of the tripod head for cameras in a use mode.  
The portions of the tripod head in broken lines are shown for illustrative purposes only and form no part of the claimed design.

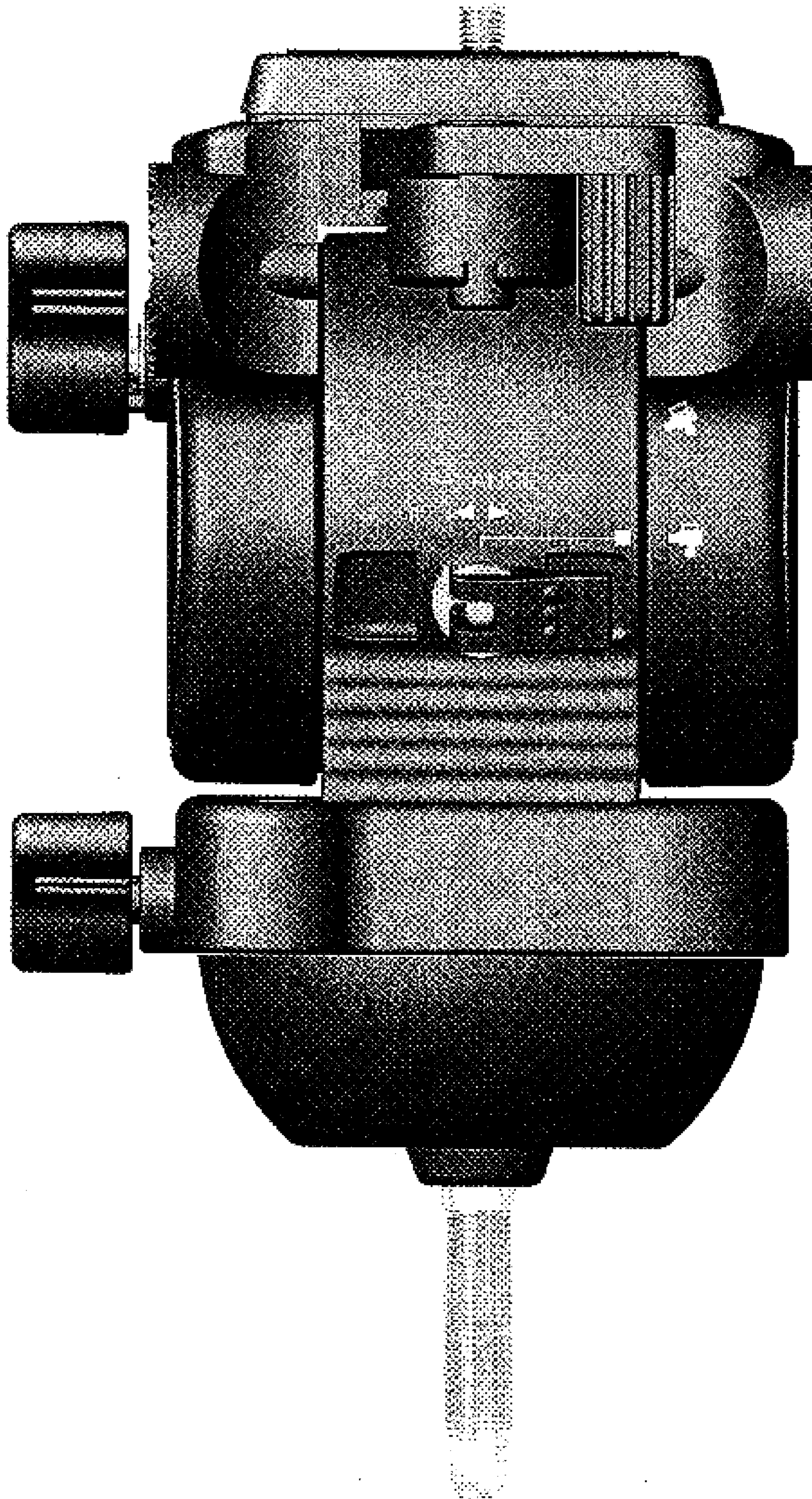
**1 Claim, 8 Drawing Sheets**



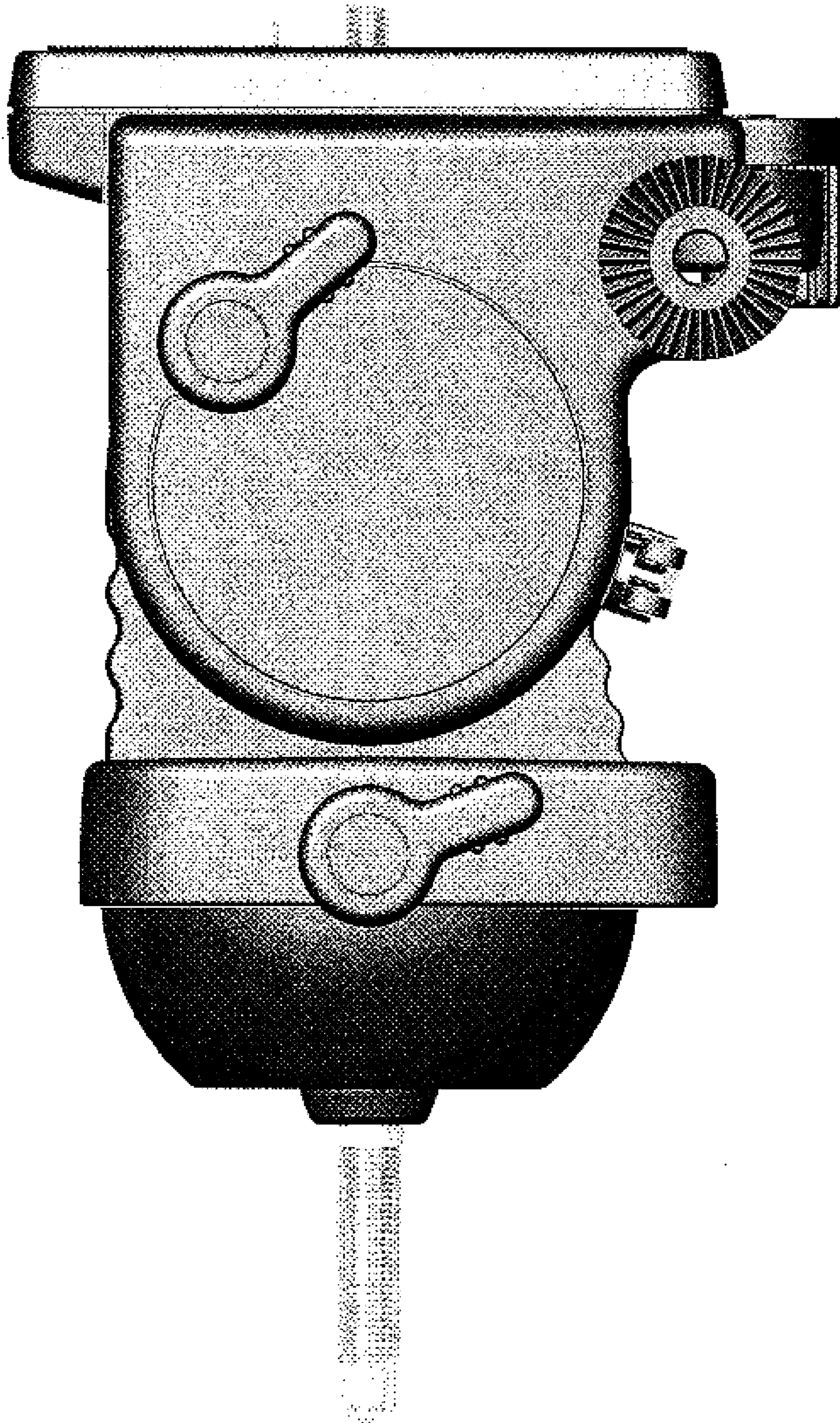
**FIG. 1**



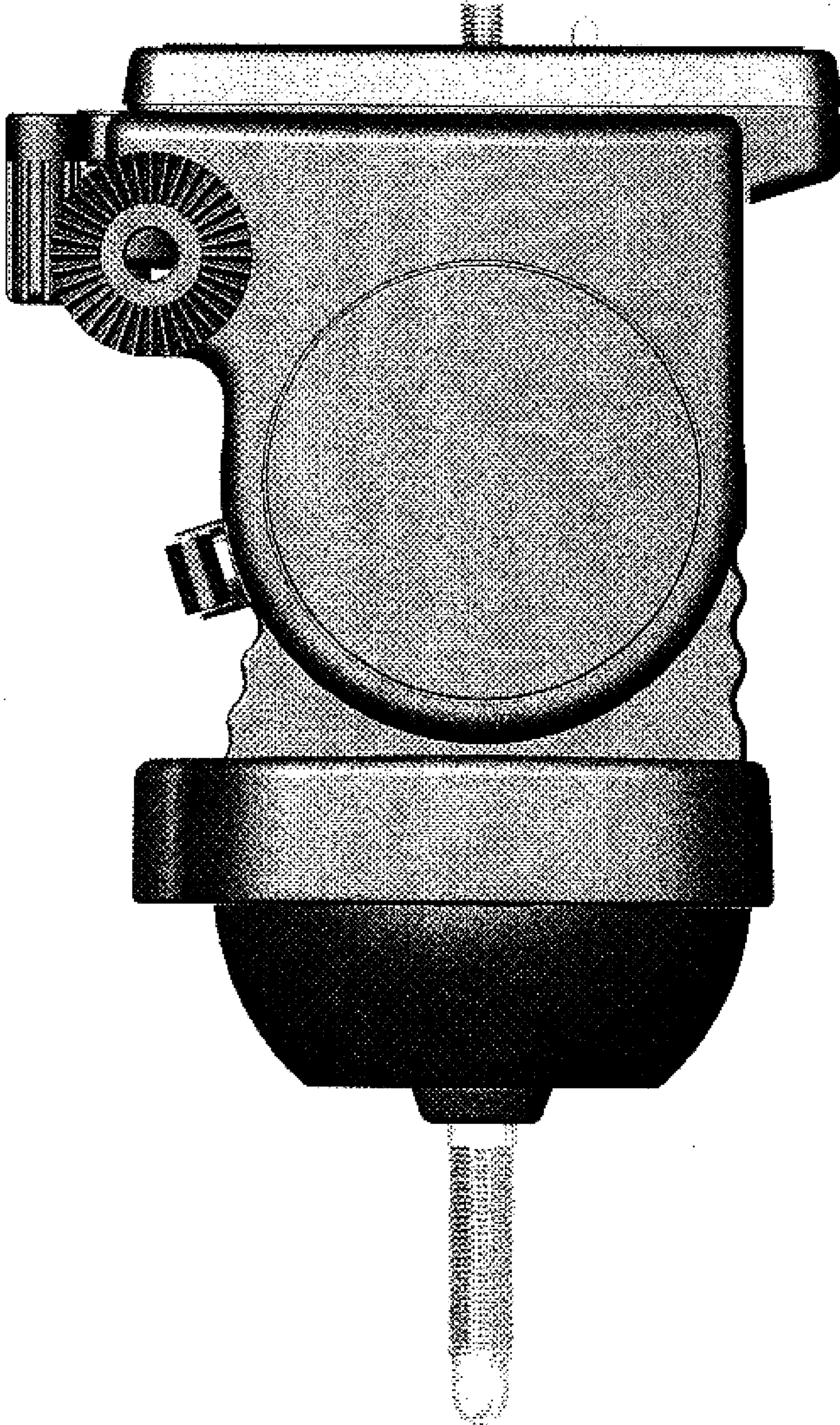
**FIG. 2**



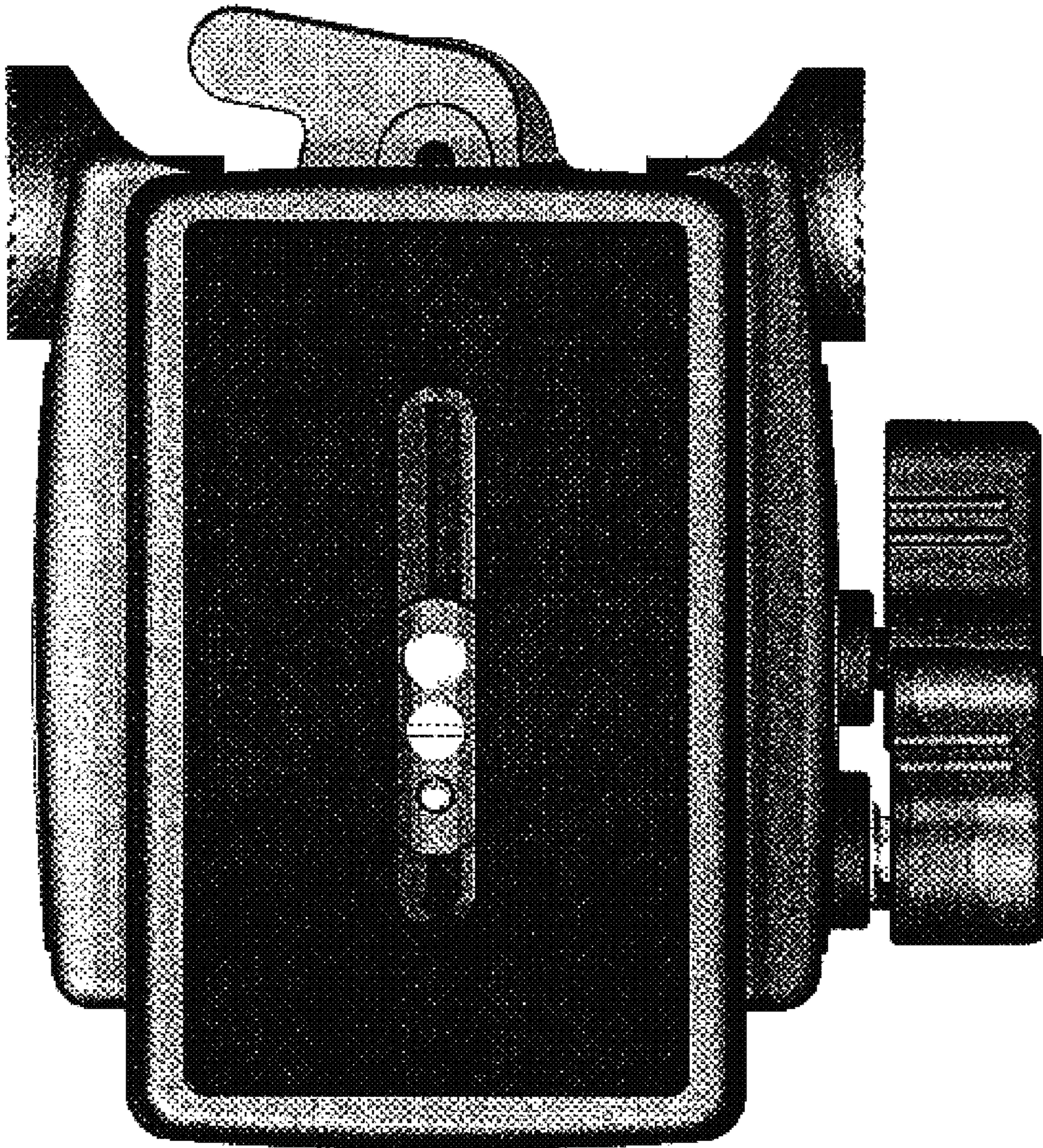
**FIG. 3**



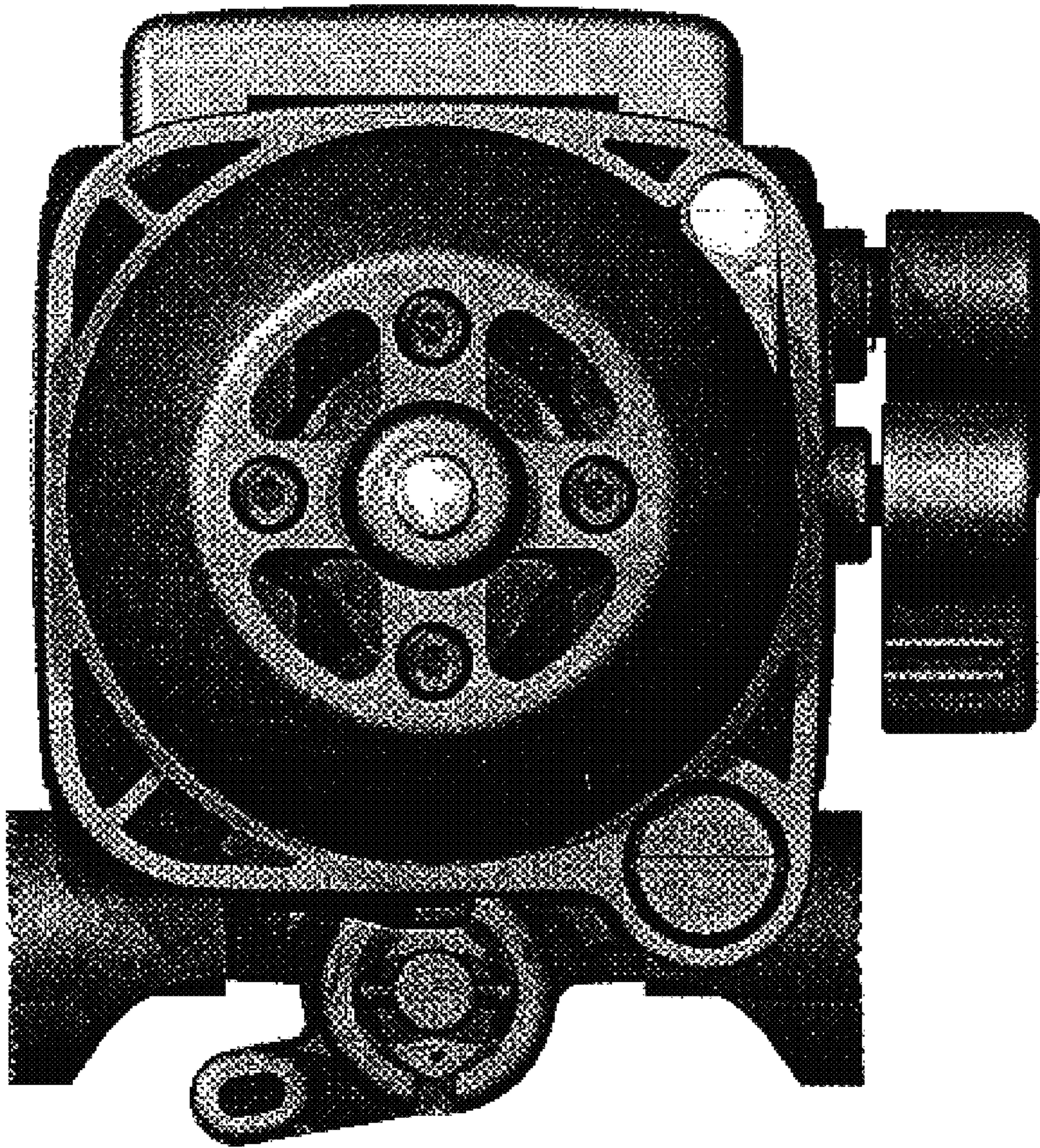
**FIG. 4**



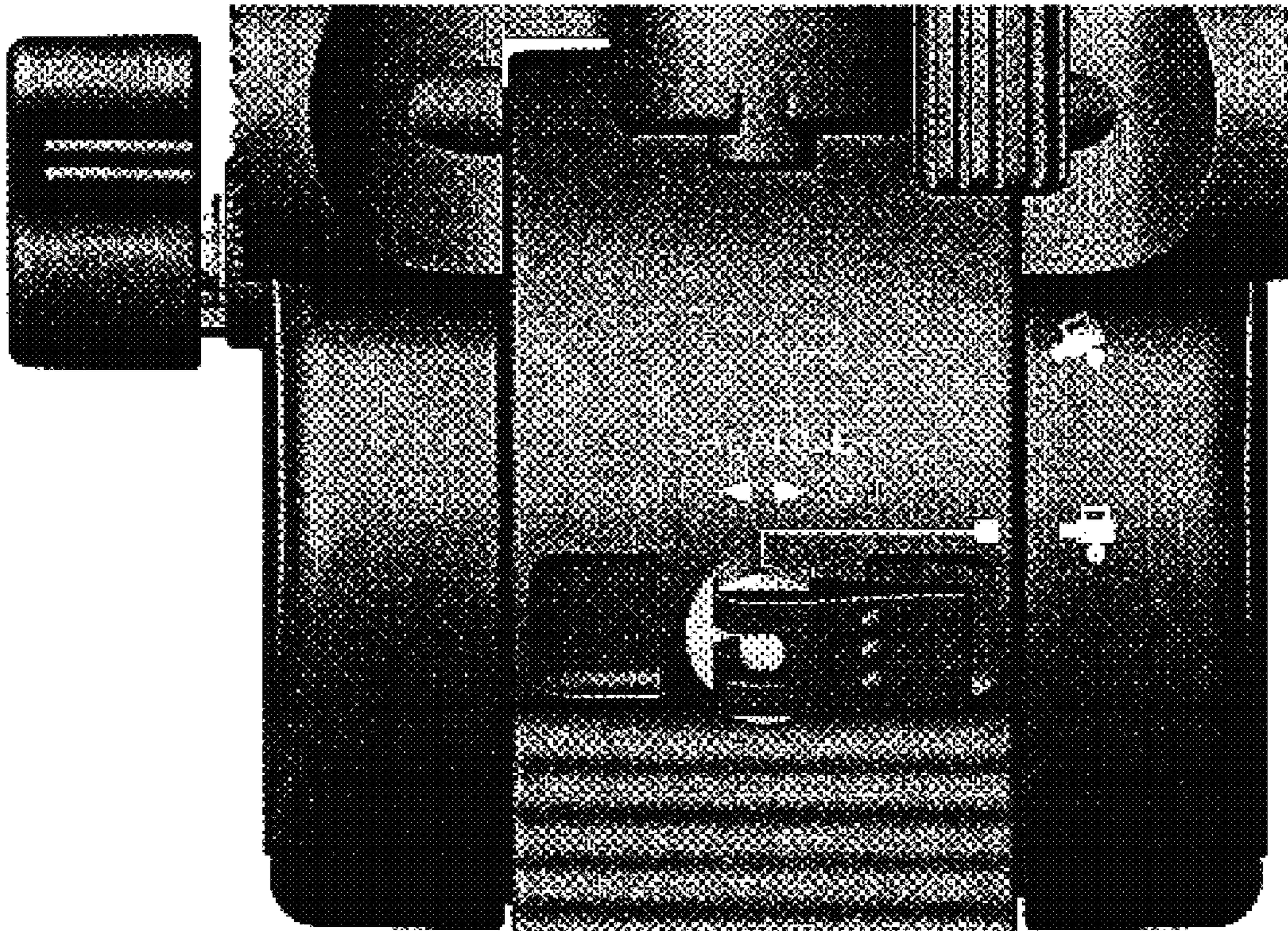
**FIG. 5**



**FIG. 6**



**FIG. 7**





**FIG. 8**

