



US00D525640S

(12) **United States Design Patent**  
**Bloch et al.**

(10) **Patent No.:** **US D525,640 S**

(45) **Date of Patent:** **\*\* Jul. 25, 2006**

(54) **CAMERA WITH BATTERY**

(75) Inventors: **Kenneth A. Bloch**, Chanhasen, MN (US); **William M. Volna**, Minneapolis, MN (US); **Stephen R. Alexander**, Scandia, MN (US)

(73) Assignee: **Infrared Solutions, Inc.**, Plymouth, MN (US)

(\*\*) Term: **14 Years**

(21) Appl. No.: **29/181,172**

(22) Filed: **May 6, 2003**

(51) **LOC (8) Cl.** ..... **16-01**

(52) **U.S. Cl.** ..... **D16/208**

(58) **Field of Classification Search** ..... D16/200–201, D16/206, 208, 218, 237, 242, 243; D13/103, D13/119; 396/419, 425, 429, 535, 539  
See application file for complete search history.

(56) **References Cited**

**U.S. PATENT DOCUMENTS**

3,759,152	A	*	9/1973	Fletcher et al.	.....	396/429
4,422,745	A	*	12/1983	Hopson	.....	396/419
4,797,840	A		1/1989	Fraden		
4,993,424	A		2/1991	Suszynski et al.		
5,012,394	A		4/1991	Woodward		
5,422,484	A		6/1995	Brogi et al.		
5,570,948	A		11/1996	Menke et al.		

D388,107	S	*	12/1997	Huckins	.....	D16/208
D392,759	S		3/1998	Howard et al.		
6,384,863	B1	*	5/2002	Bronson	.....	396/420
D464,666	S	*	10/2002	Salapow et al.	.....	D16/206
6,486,473	B1		11/2002	Salapow et al.		
6,671,462	B1	*	12/2003	Misawa	.....	396/539

\* cited by examiner

*Primary Examiner*—Adir Aronovich

(74) *Attorney, Agent, or Firm*—Fredrikson & Bryon, P.A.

(57) **CLAIM**

The ornamental design for a camera with battery, as shown and described.

**DESCRIPTION**

FIG. 1 is a rear perspective view of a camera with battery embodying our new design;

FIG. 2 is a rear perspective view thereof in an alternate position;

FIG. 3 is a front elevation view thereof;

FIG. 4 is a rear elevational view thereof;

FIG. 5 is a left side elevation view thereof;

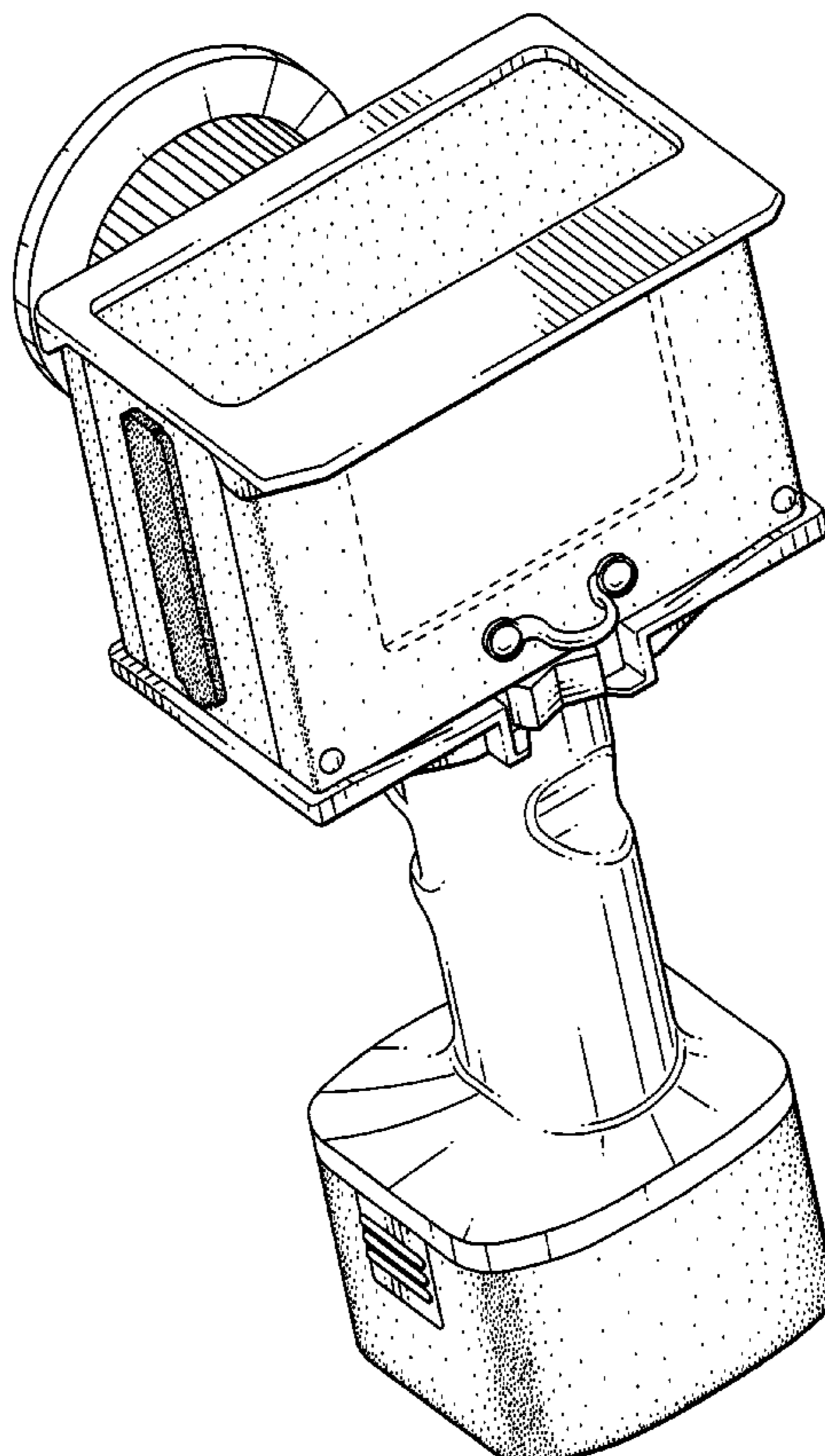
FIG. 6 is a right side elevation view thereof;

FIG. 7 is an enlarged top plan view thereof; and,

FIG. 8 is an enlarged bottom plan view thereof.

The portions of the camera shown in broken lines are for illustrative purposes only and form no part of the claimed design.

**1 Claim, 8 Drawing Sheets**



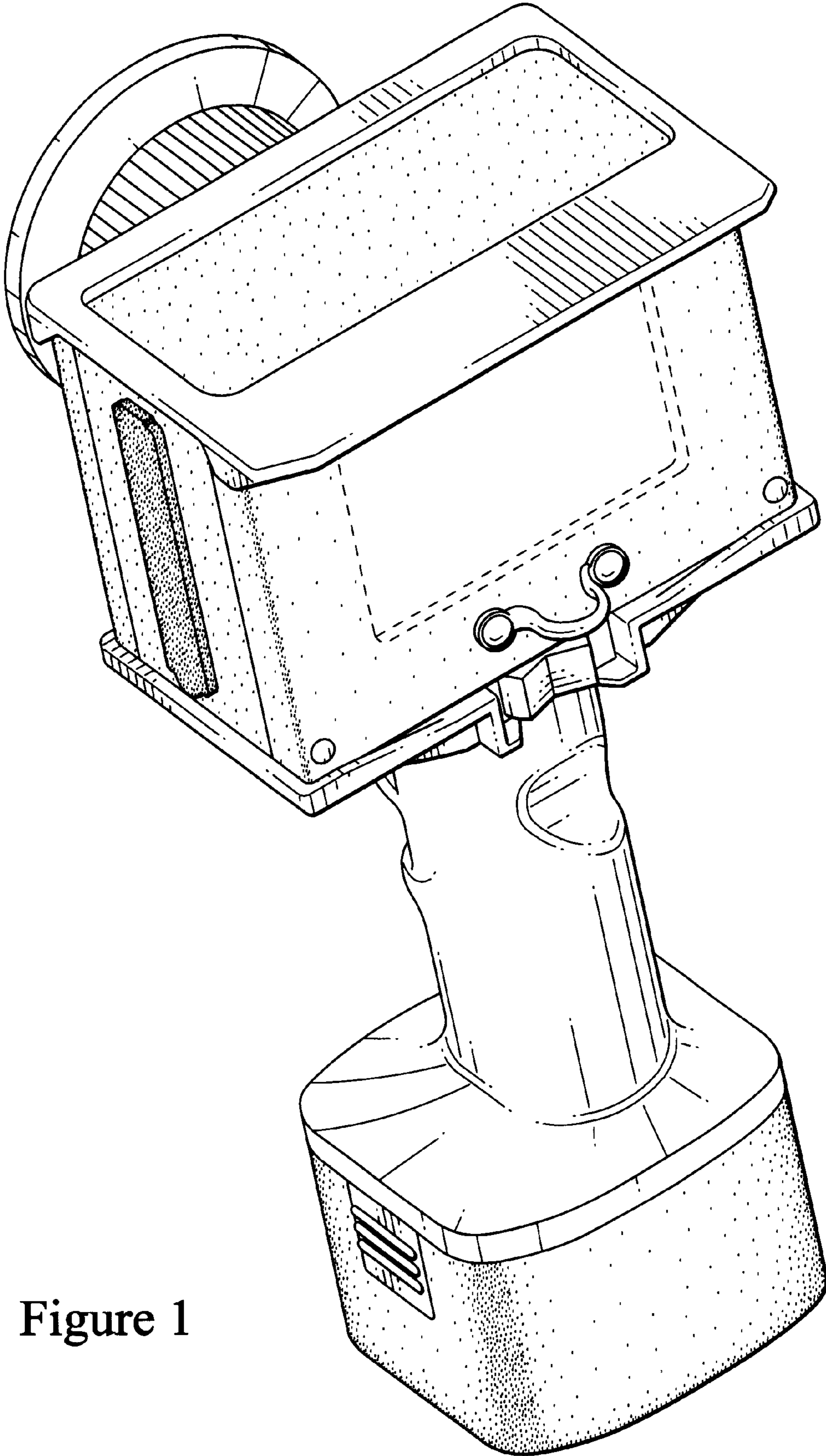


Figure 1

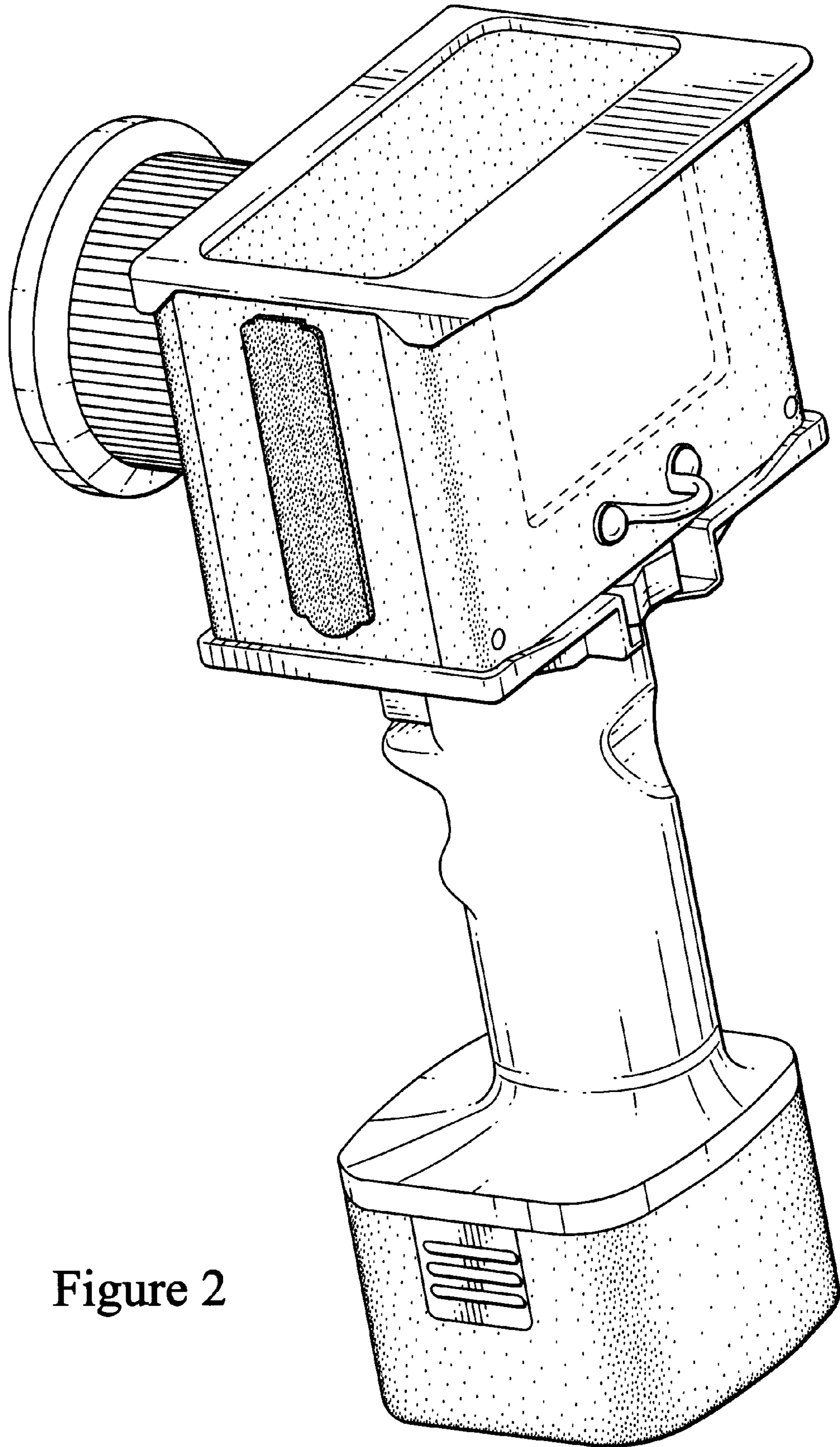


Figure 2

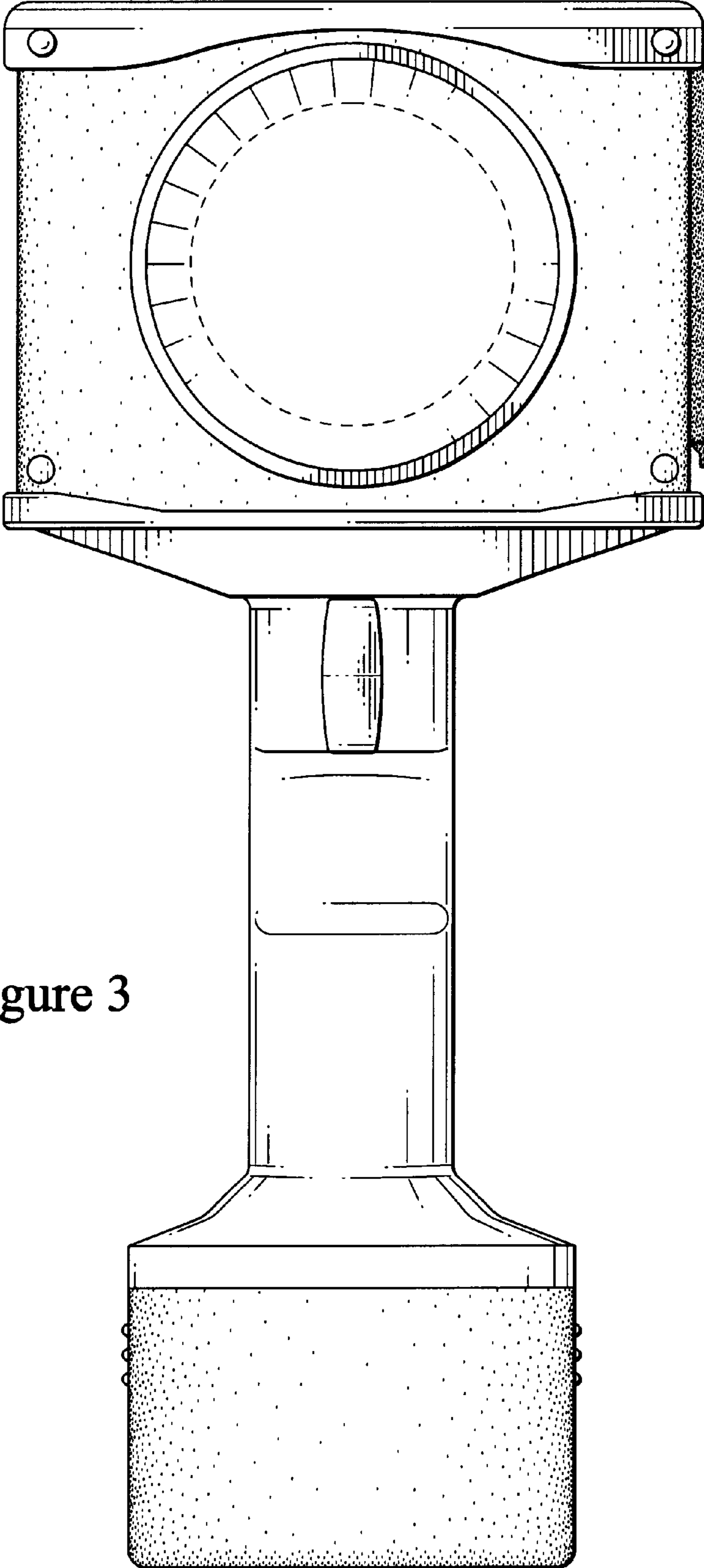


Figure 3

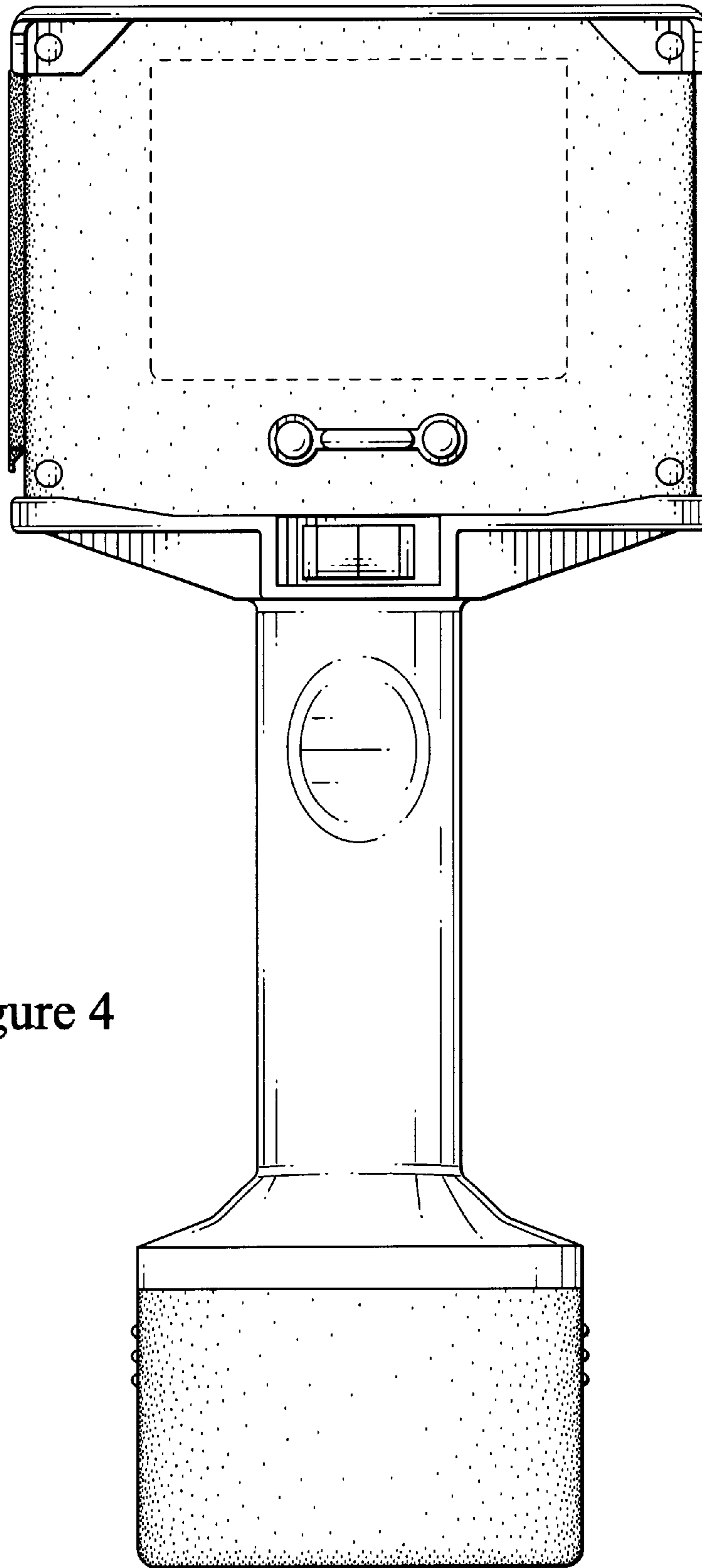


Figure 4

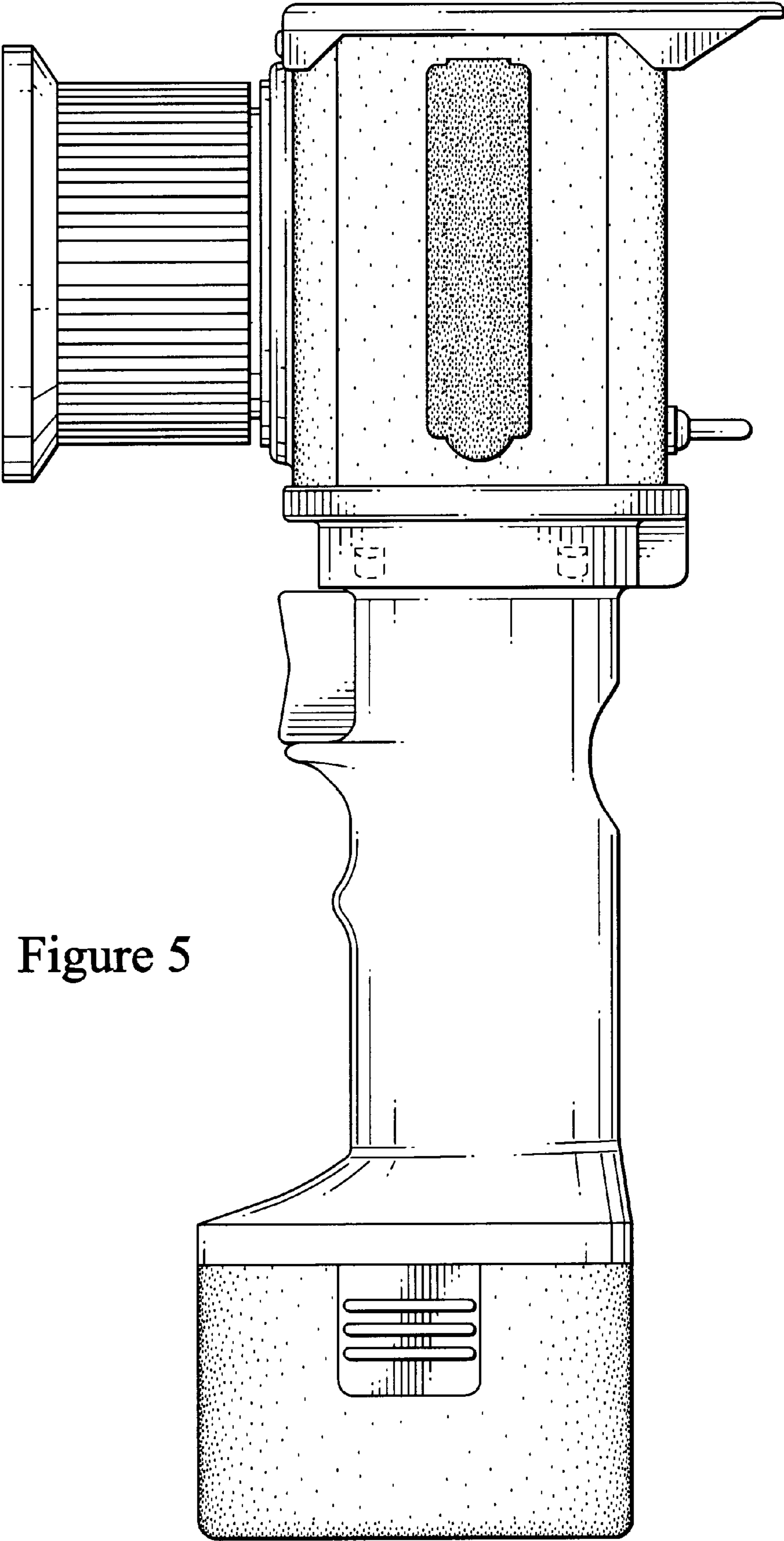


Figure 5

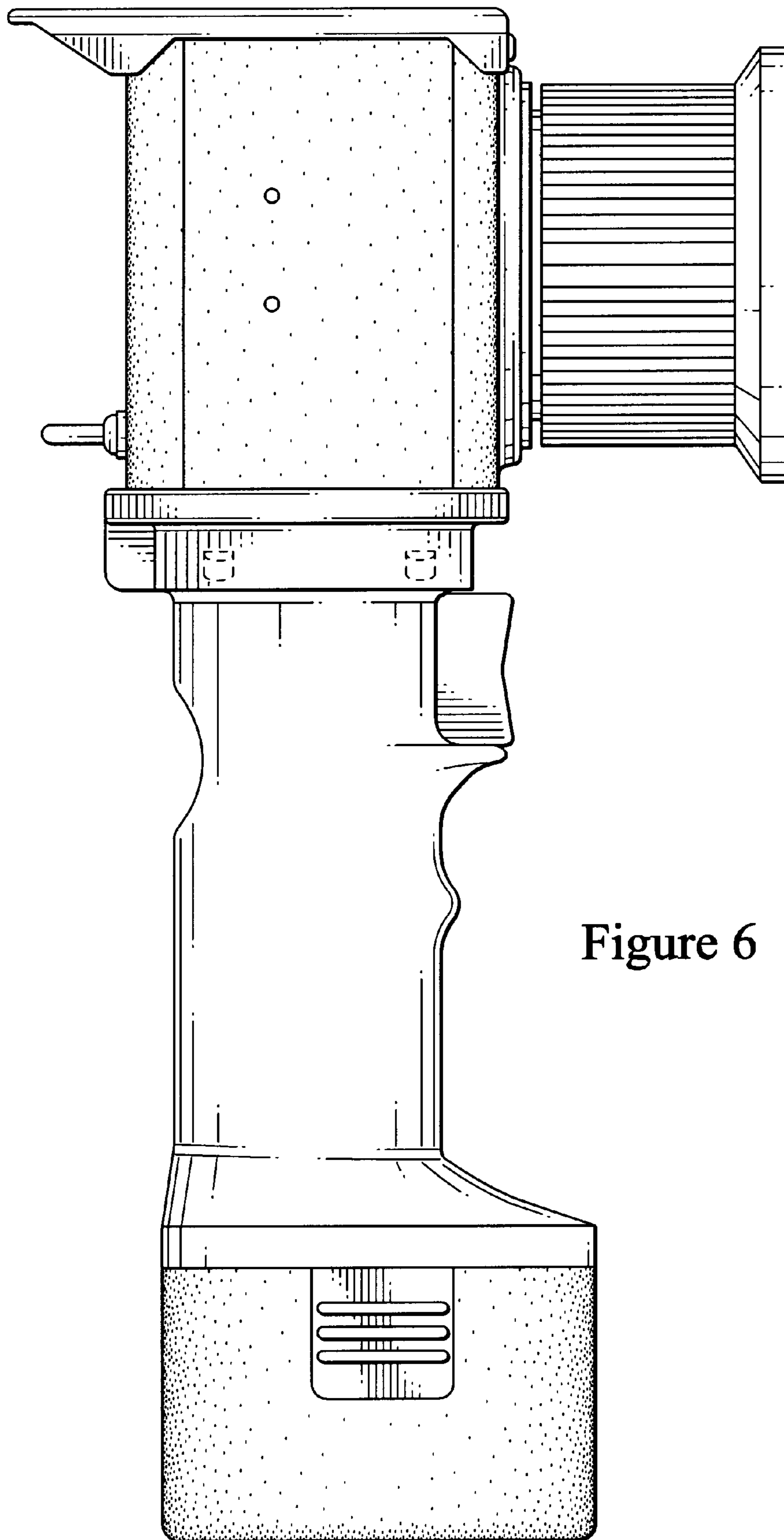


Figure 6

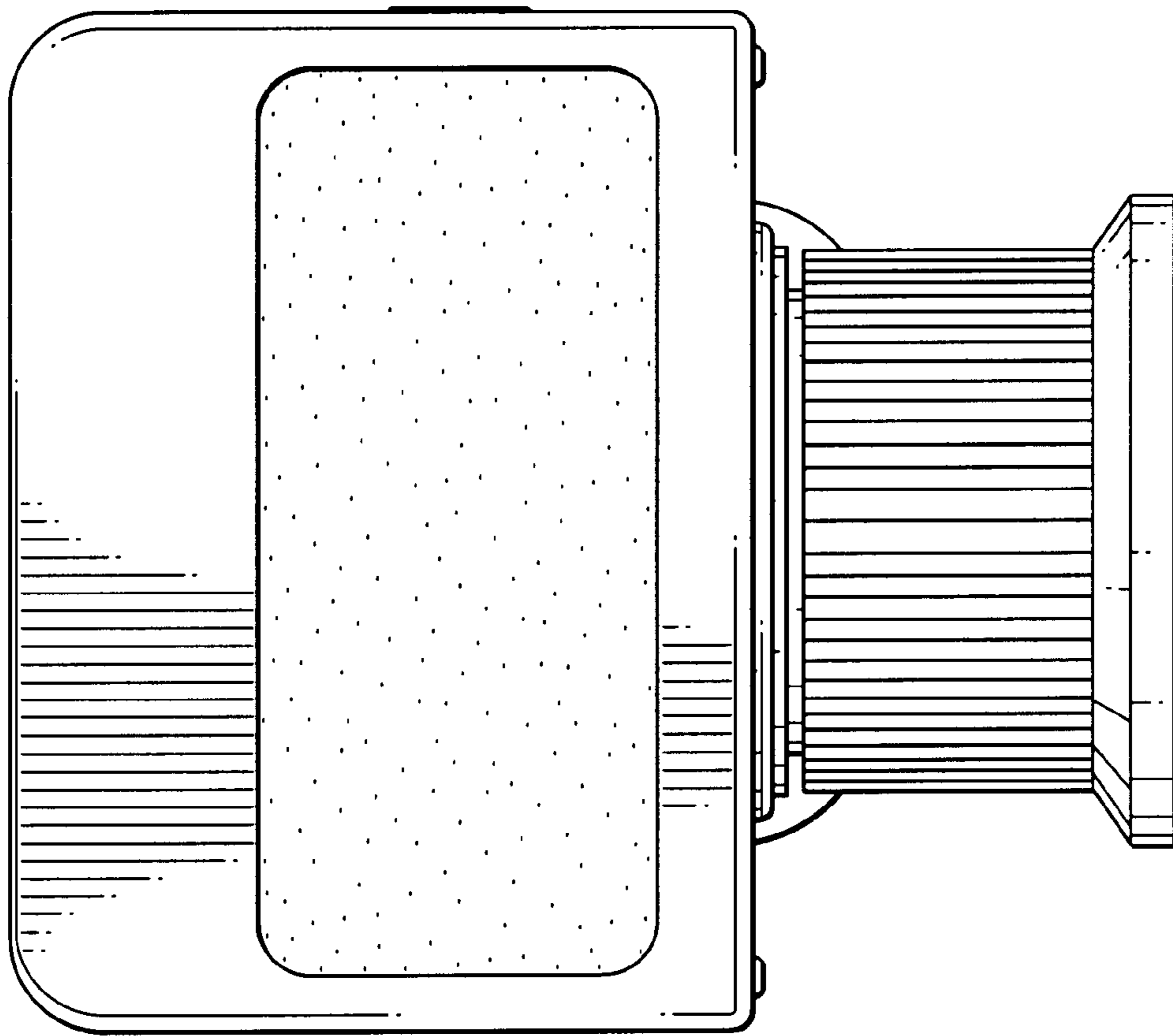


Figure 7



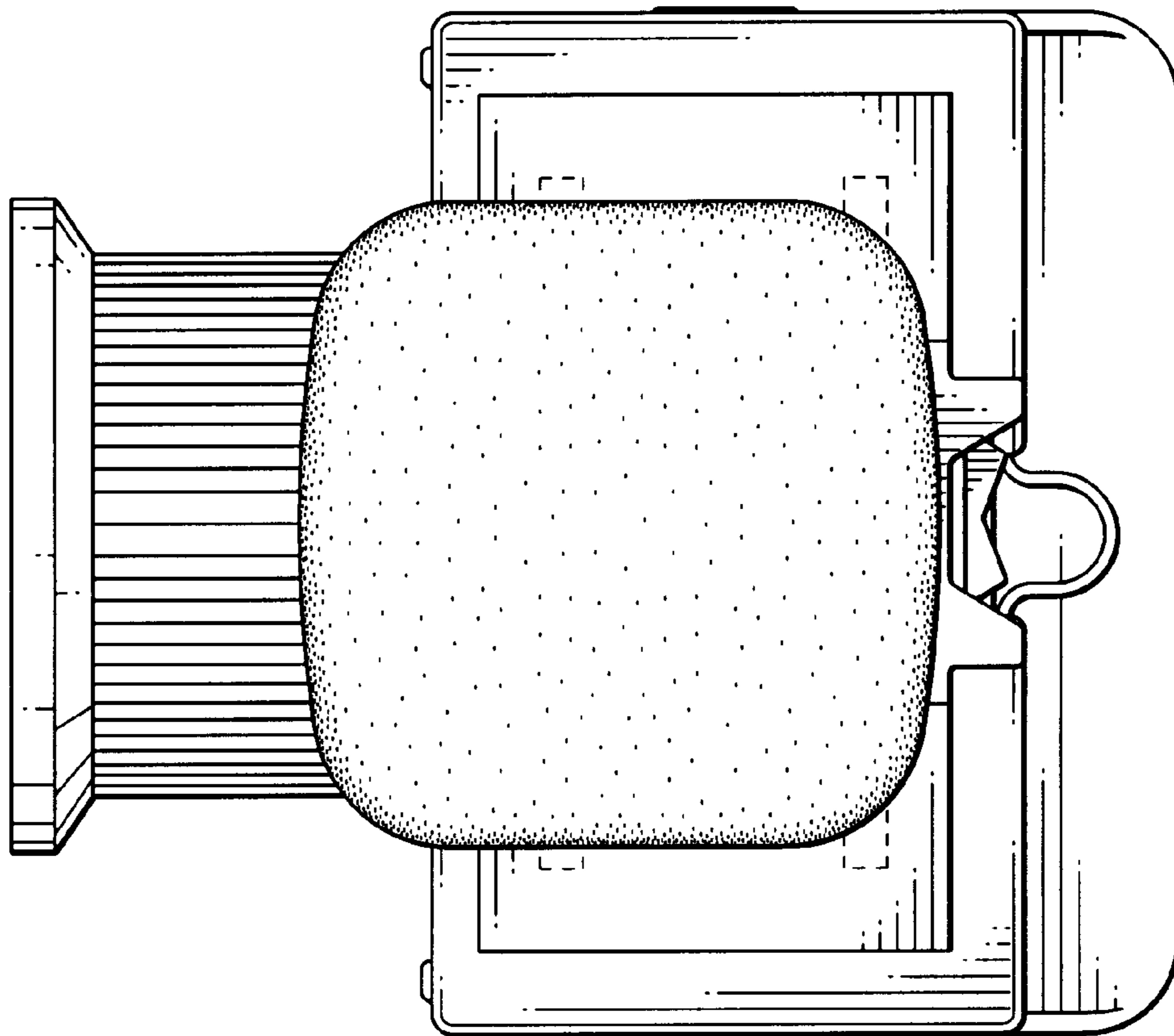


Figure 8