

US00D525637S

(12) **United States Design Patent** (10) **Patent No.:** **US D525,637 S**
Suzuki et al. (45) **Date of Patent:** **** Jul. 25, 2006**

(54) **DIGITAL VIDEO CAMERA**
(75) Inventors: **Ken Suzuki**, Niiza (JP); **Masatomo Naruki**, Kawasaki (JP)
(73) Assignee: **Kabushiki Kaisha**, Toshiba (JP)
(**) Term: **14 Years**
(21) Appl. No.: **29/223,630**
(22) Filed: **Feb. 17, 2005**
(30) **Foreign Application Priority Data**
Dec. 28, 2004 (JP) 2004-040417
(51) **LOC (8) Cl.** **16-01**
(52) **U.S. Cl.** **D16/202; D16/205**
(58) **Field of Classification Search** D16/200–206, D16/208, 218; 348/373–376; 358/906; 396/535–541
See application file for complete search history.

(56) **References Cited**
U.S. PATENT DOCUMENTS
5,739,859 A * 4/1998 Hattori et al. 348/375
D407,097 S * 3/1999 Suzuki et al. D16/205
D426,843 S * 6/2000 Tanaka D16/202
D431,582 S * 10/2000 Sumita et al. D16/202
D445,816 S 7/2001 Tanaka D16/203
D446,800 S * 8/2001 Fukushima et al. D16/202
D463,469 S * 9/2002 Kawase D16/202
D469,793 S * 2/2003 Onoda et al. D16/202
D488,495 S * 4/2004 Shimizu D16/202
D499,437 S * 12/2004 Miyamori et al. D16/202
D501,216 S * 1/2005 Shimizu D16/202

FOREIGN PATENT DOCUMENTS
JP 1095991 1/2001
JP 1113471 7/2001
JP 1131123 1/2002
JP 1142019 5/2002

JP 1195577 1/2004
JP 1196146 2/2004

OTHER PUBLICATIONS

nikkeibp.jp for Technology & Business, Network Summit 2004, GZ–MC100, dated Sep. 15, 2004.
B&H Photo–Video–Pro Audio Catalog, Summer 2004, pp. 131–137, dated Jun. 2004.

* cited by examiner

Primary Examiner—Adir Aronovich
(74) *Attorney, Agent, or Firm*—Banner & Witcoff, Ltd.

(57) **CLAIM**

The ornamental design for a digital video camera, as shown and described.

DESCRIPTION

FIG. 1 is a top, front and right side perspective view of a digital video camera showing our new design, FIG. 2 is a front elevational view thereof, FIG. 3 is a rear elevational view thereof, FIG. 4 is a left side elevational view thereof, FIG. 5 is a right side elevational view thereof, FIG. 6 is a top plan view thereof, FIG. 7 is a bottom plan view thereof, FIG. 8 is a top, rear and right side perspective view thereof, FIG. 9 is a rear elevational view showing the article with the display in an opened position thereof, FIG. 10 is a right side elevational view showing the article with the display in the opened position thereof, FIG. 11 is a top, front and right side perspective view showing the article with the display in the opened position thereof, and, FIG. 12 is a top, rear and right side perspective view showing the article with the display in the opened position thereof.

1 Claim, 6 Drawing Sheets

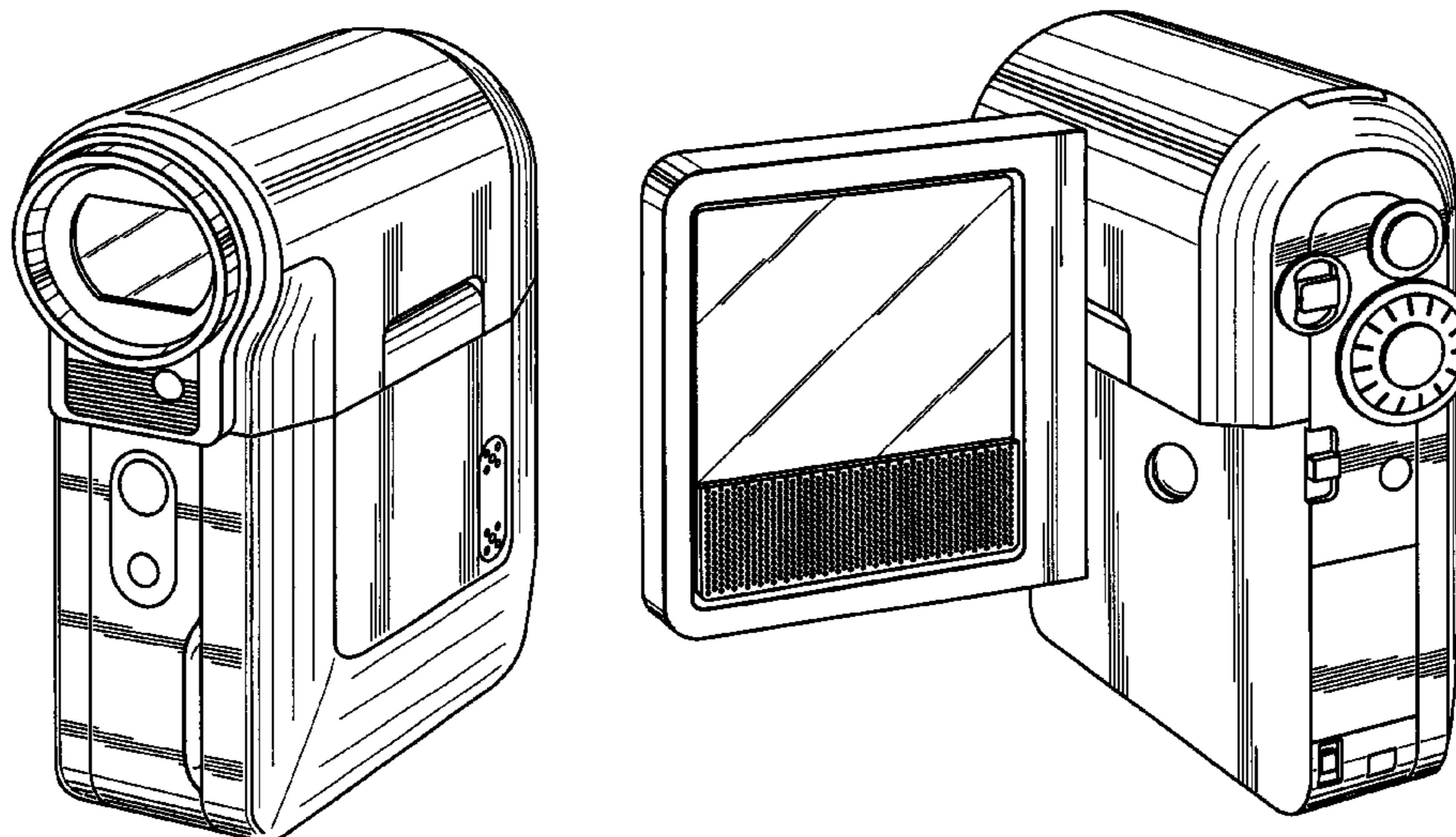


FIG. 1

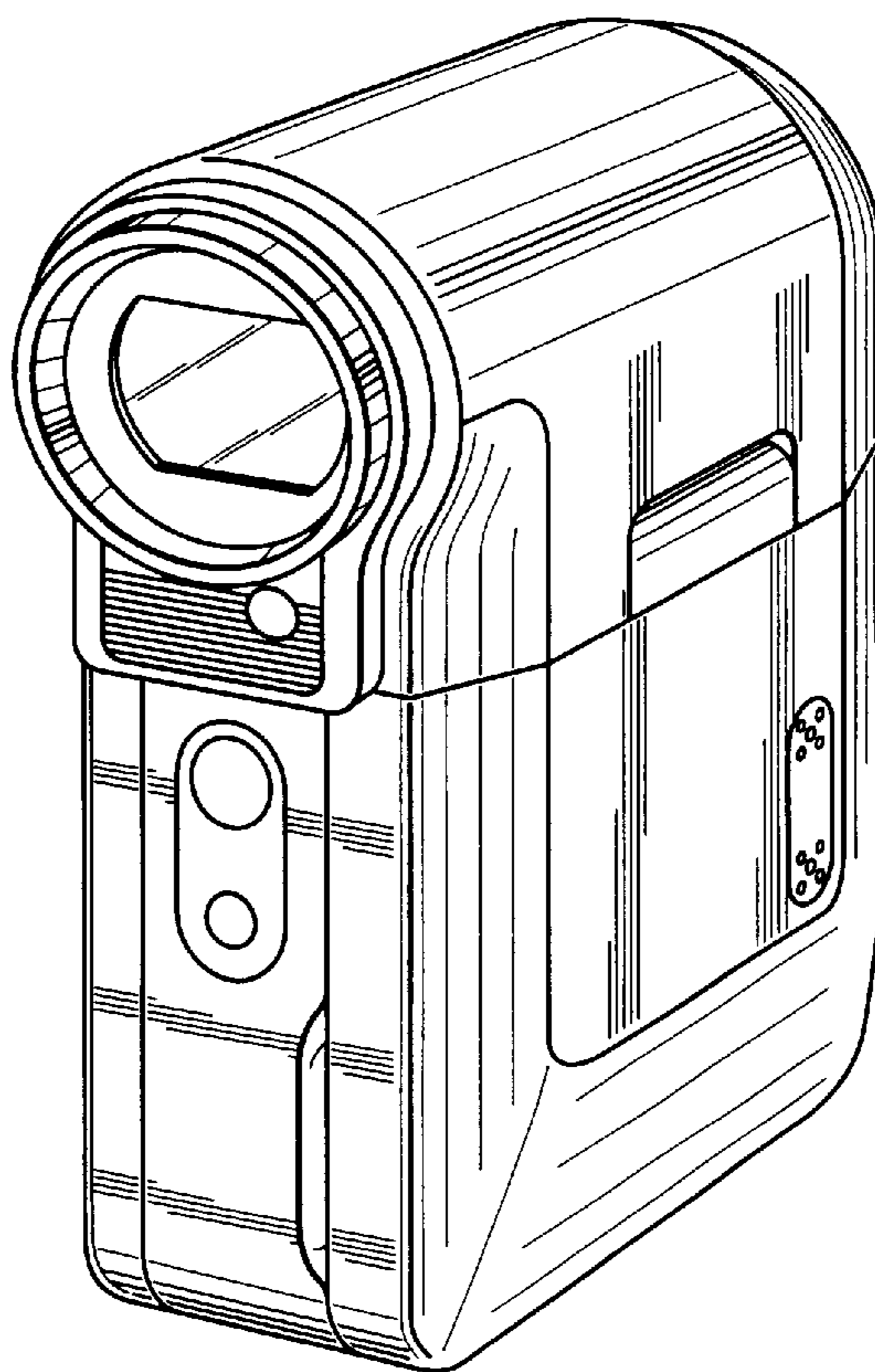


FIG. 2

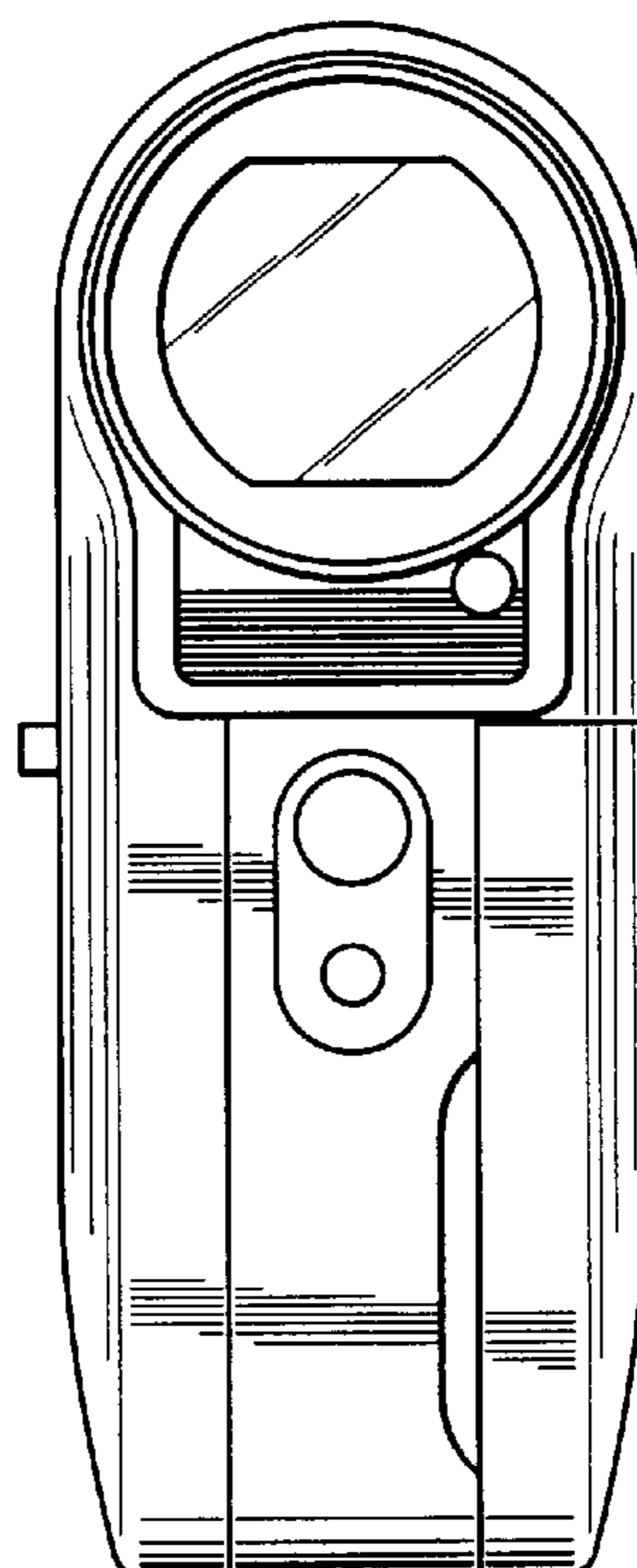


FIG. 3

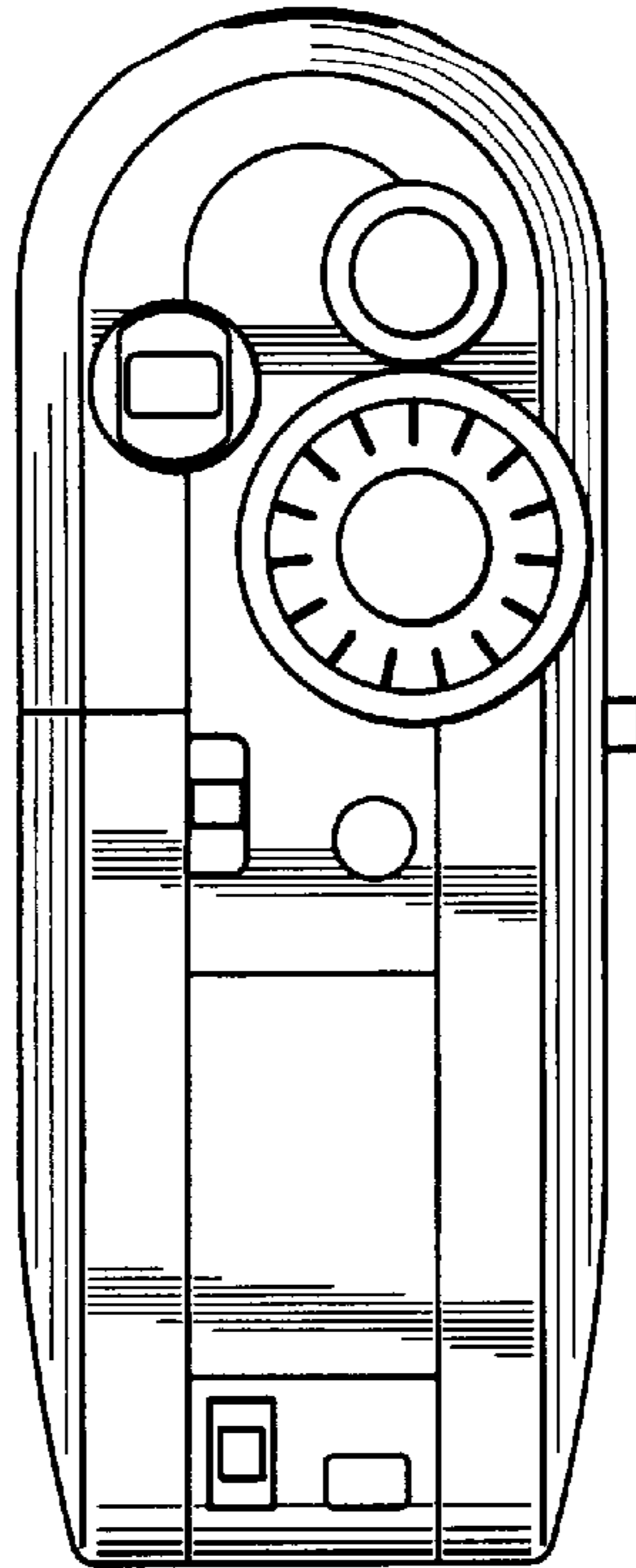


FIG. 4

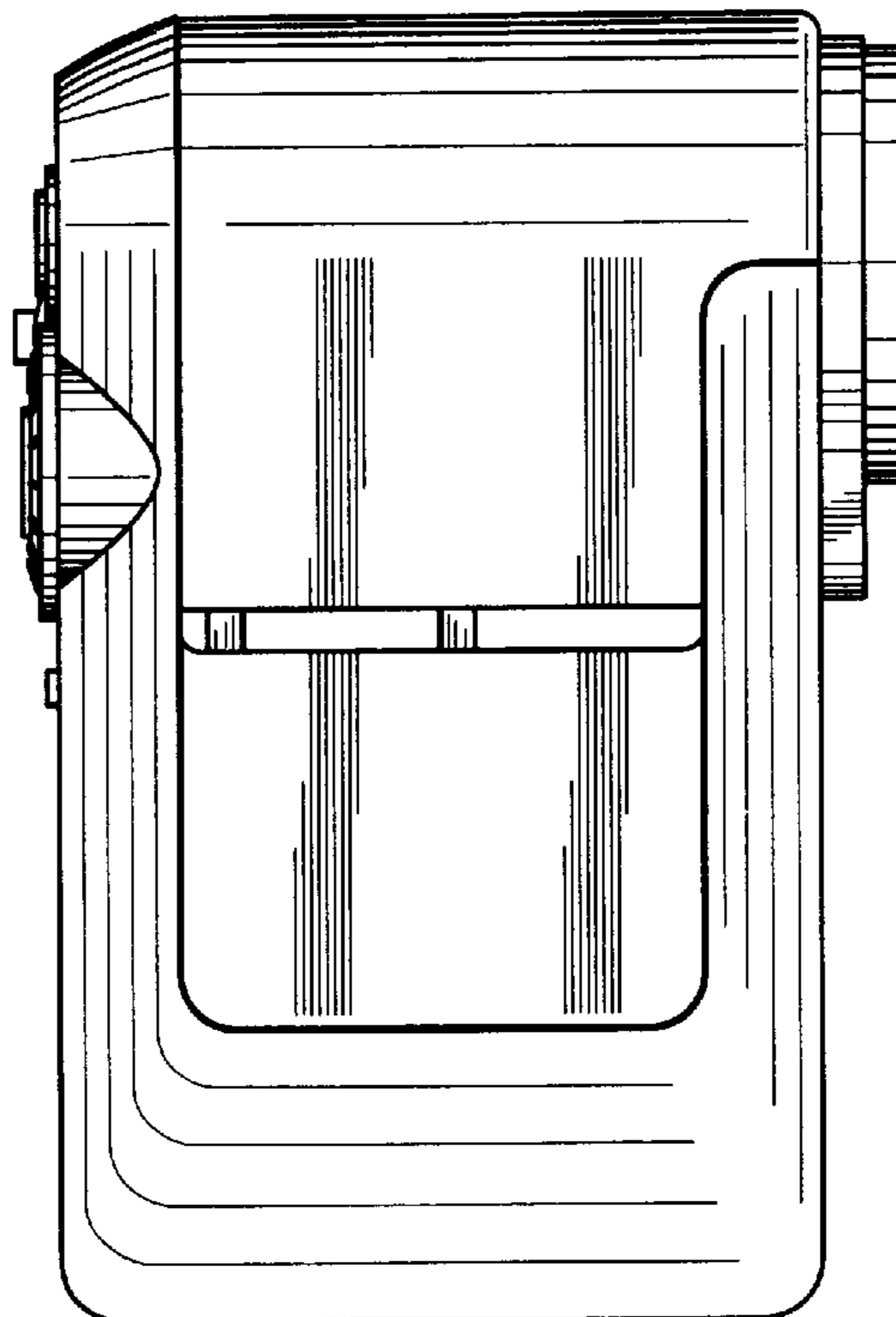


FIG. 5

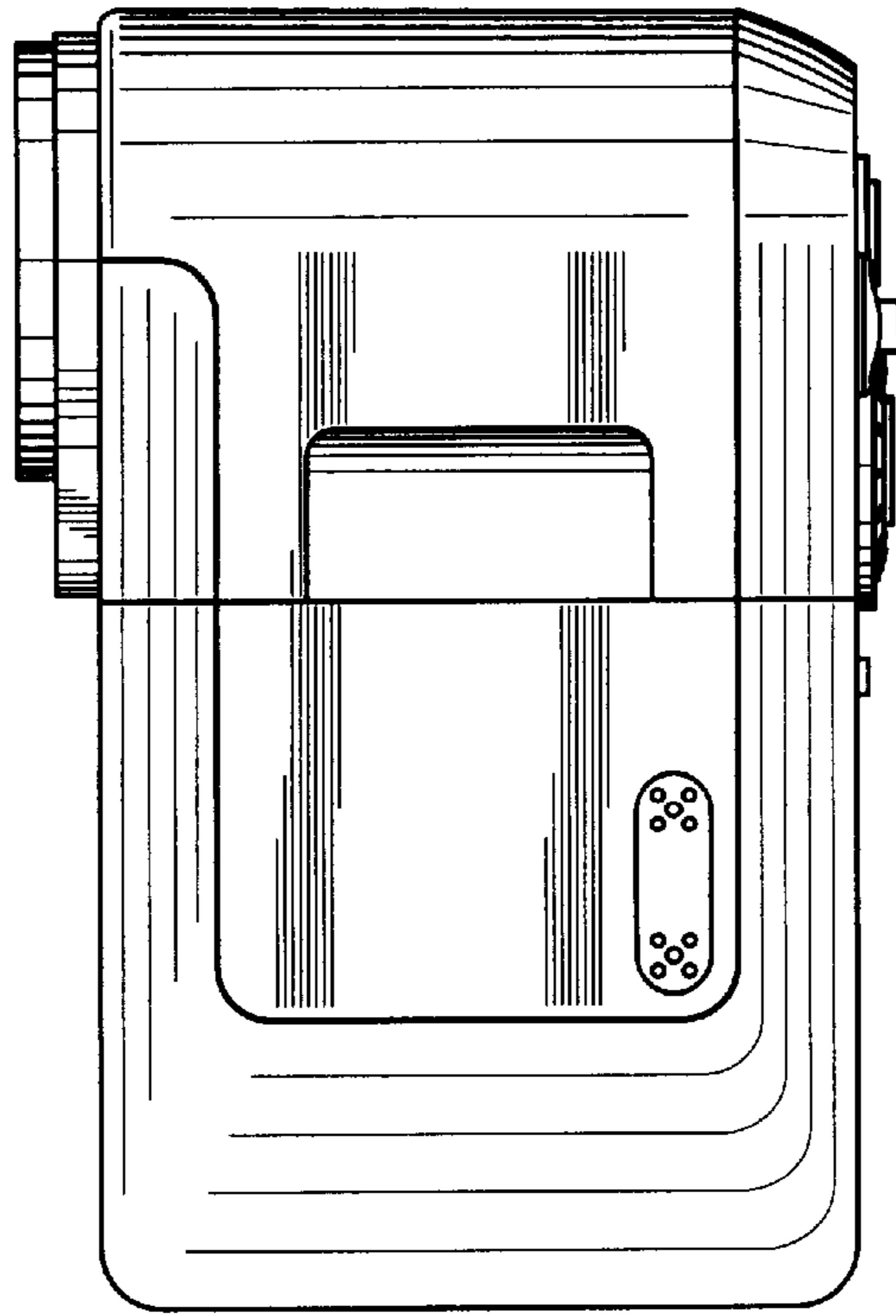


FIG. 6

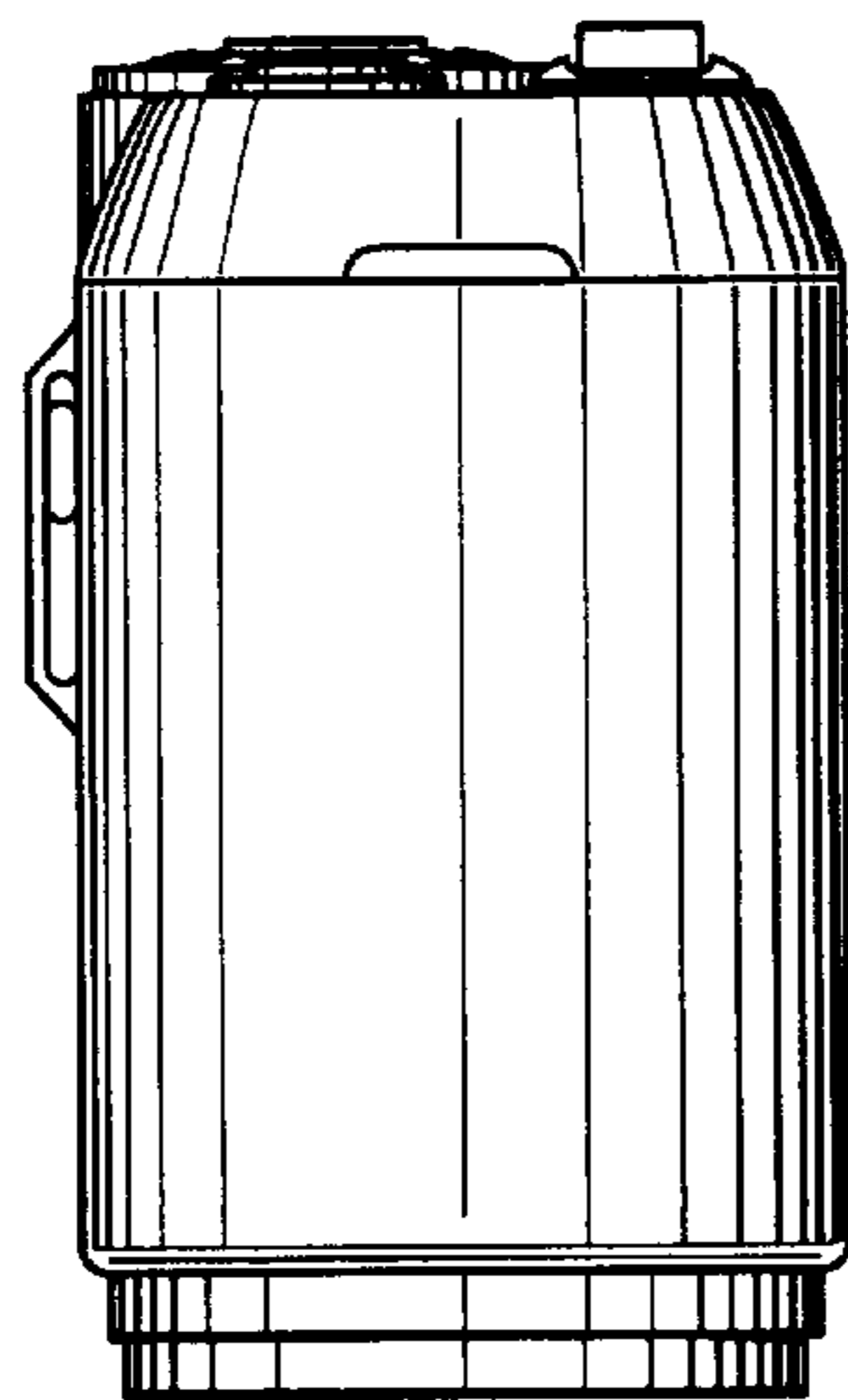


FIG. 7

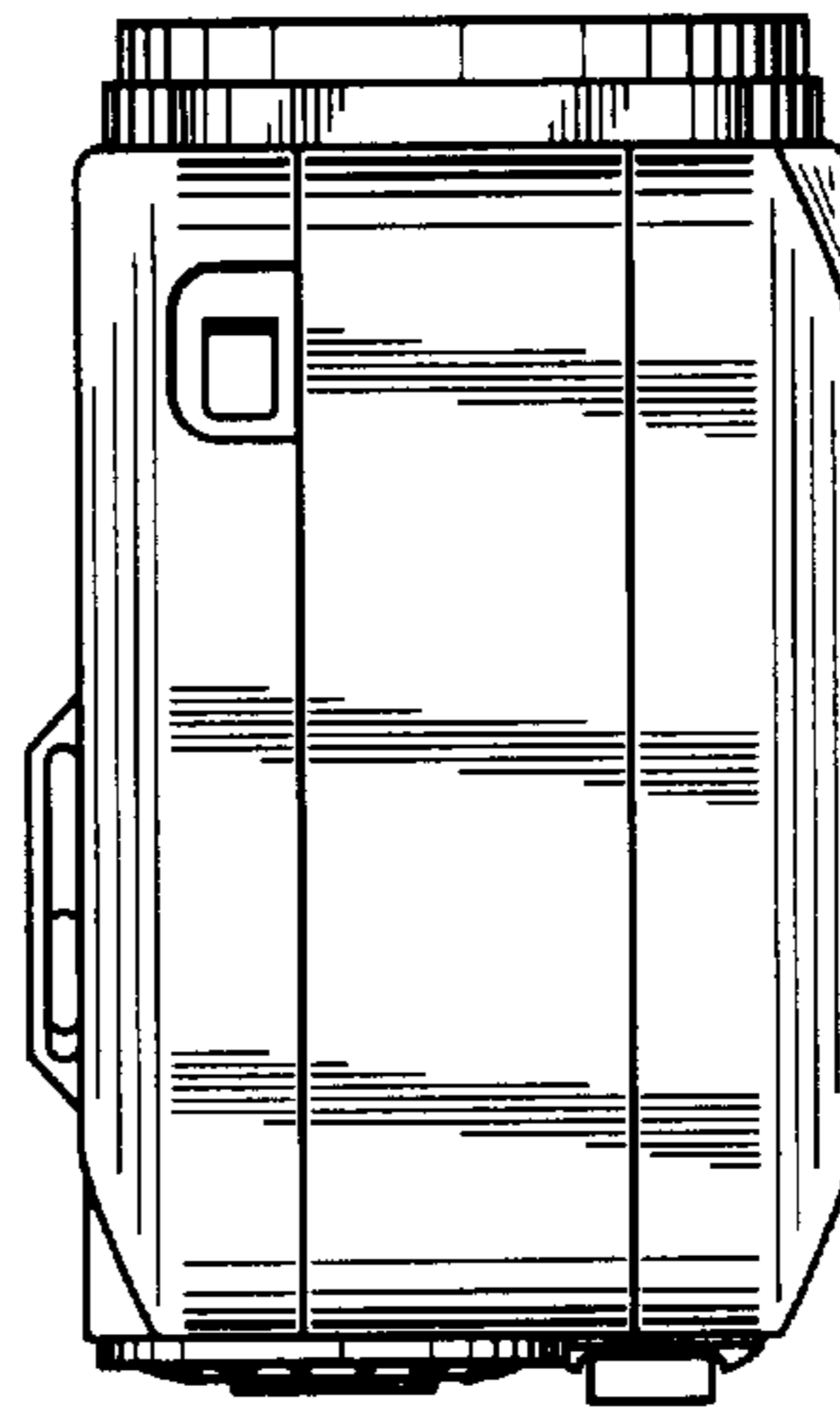


FIG. 8

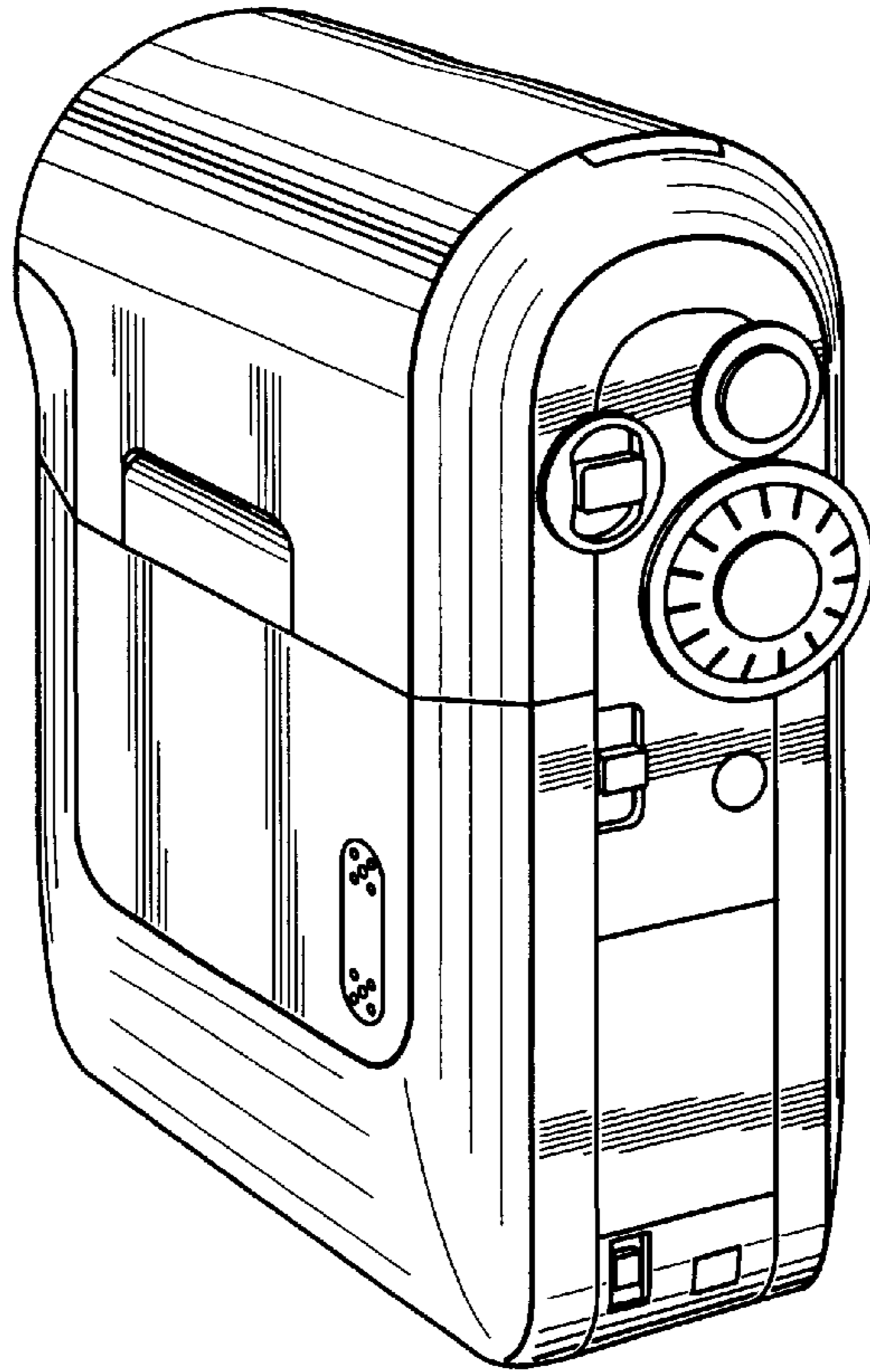


FIG. 9

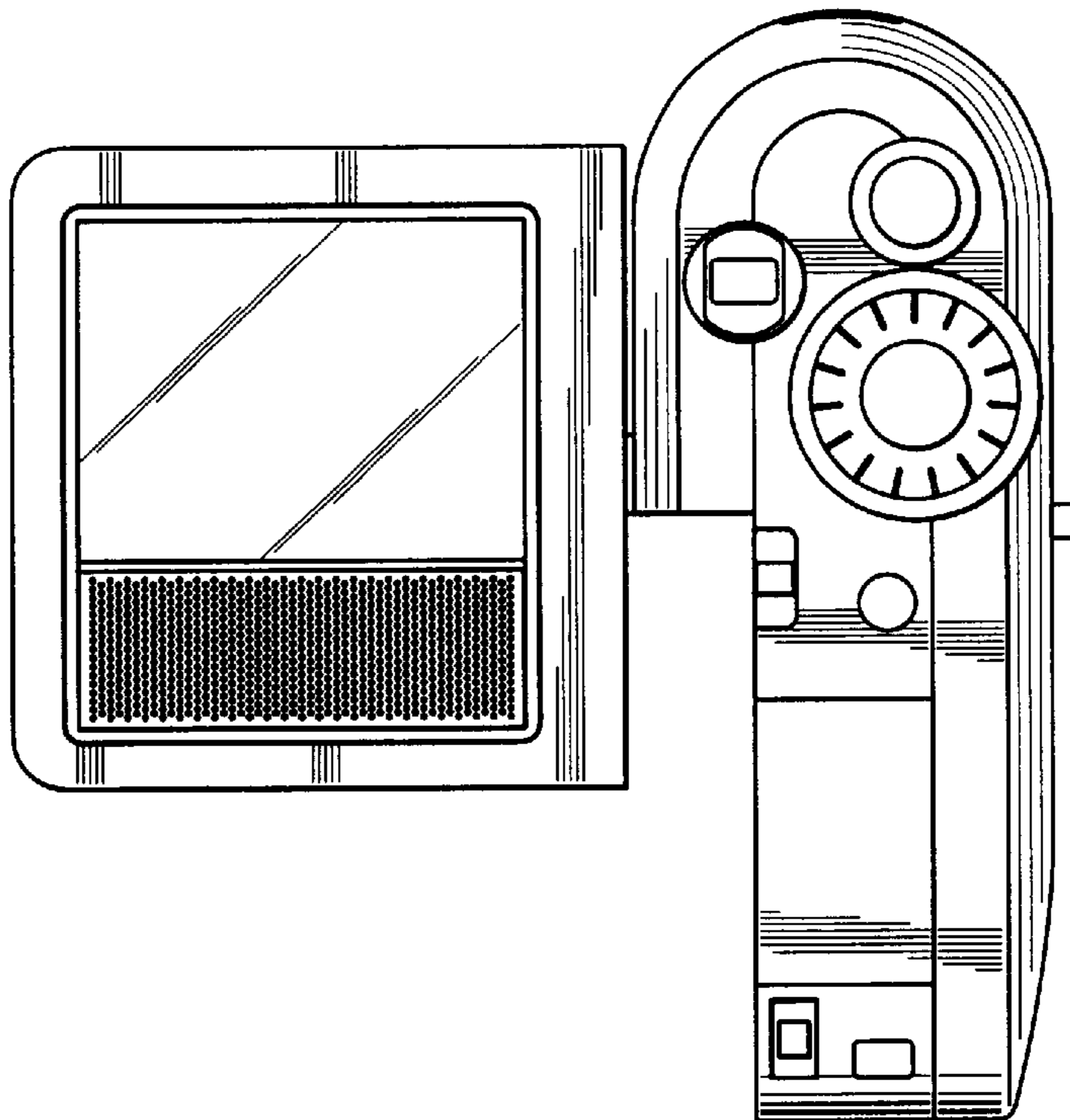


FIG. 10

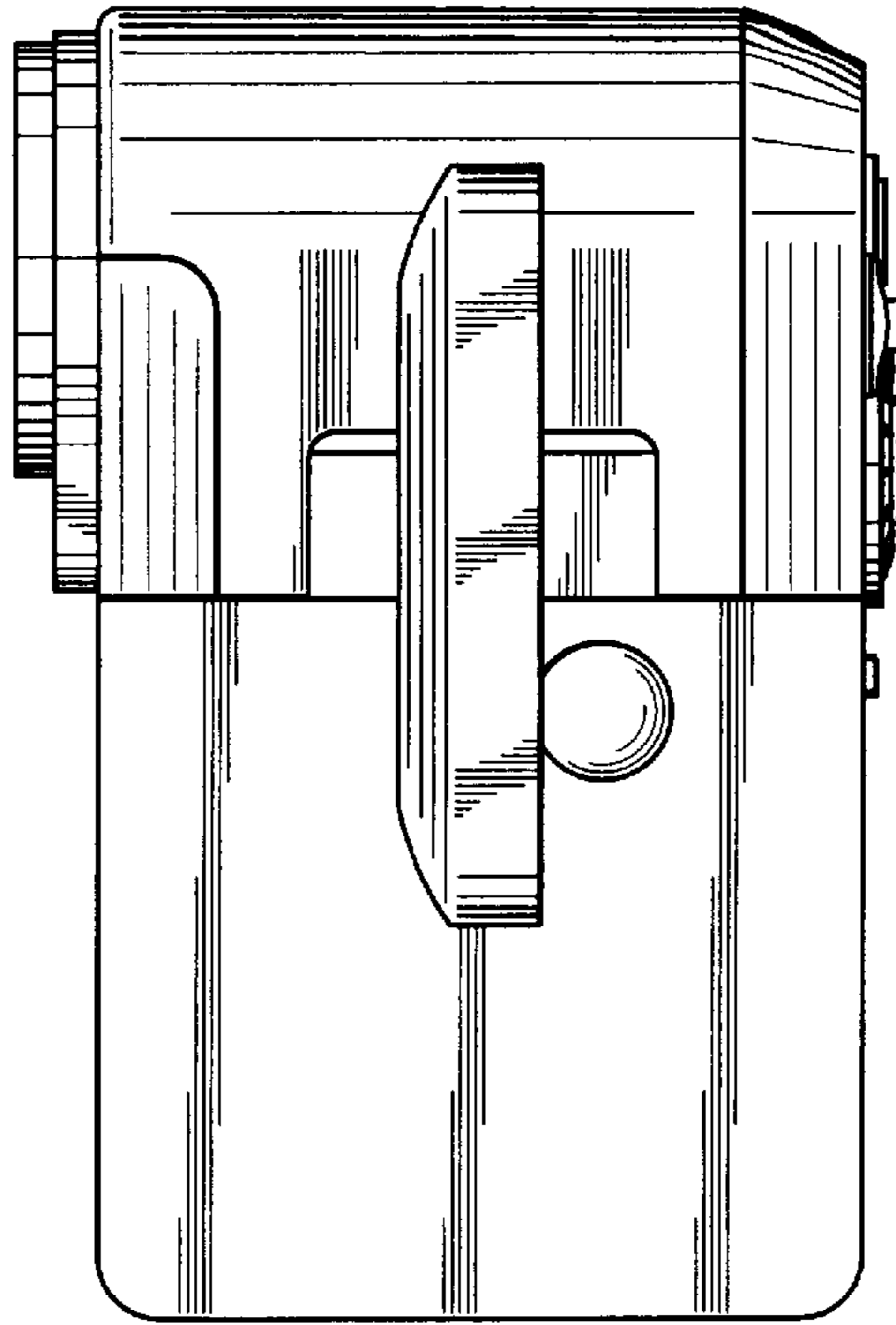


FIG. 11

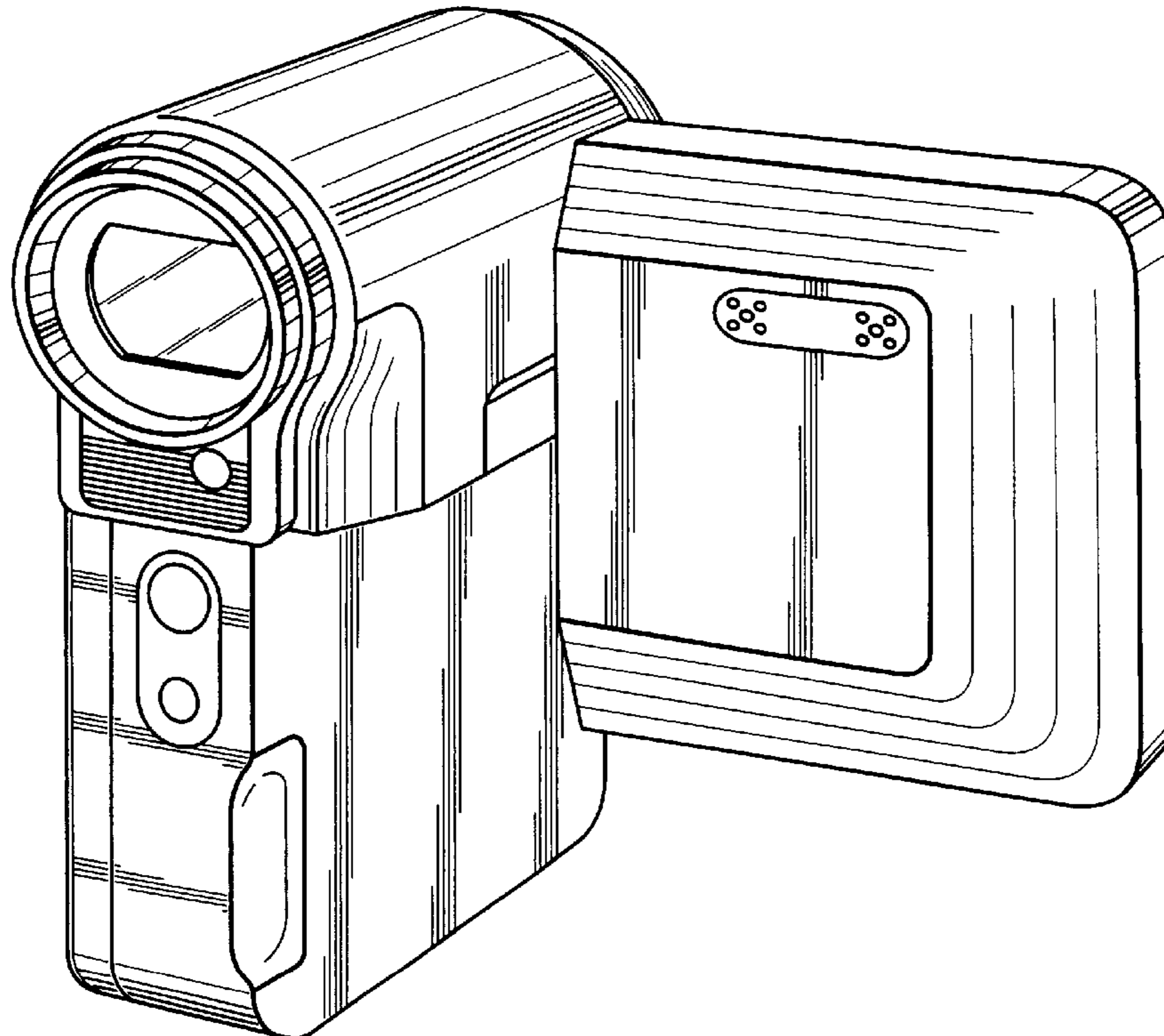


FIG. 12

