



US00D525636S

(12) **United States Design Patent**
Apothéloz

(10) **Patent No.:** **US D525,636 S**

(45) **Date of Patent:** **** Jul. 25, 2006**

(54) **MICROSCOPE**

D273,592 S * 4/1984 Armbruster D16/131
D273,685 S * 5/1984 Yamada D16/131

(75) Inventor: **Christophe Apothéloz**, Zurich (CH)

* cited by examiner

(73) Assignee: **Leica Microsystems CMS GmbH**,
Wetzlar (DE)

Primary Examiner—Paula A. Greene

(74) *Attorney, Agent, or Firm*—Simpson & Simpson, PLLC

(**) Term: **14 Years**

(57) **CLAIM**

(21) Appl. No.: **29/234,830**

The ornamental design for a microscope, as shown and described.

(22) Filed: **Jul. 22, 2005**

(30) **Foreign Application Priority Data**

Jan. 27, 2005 (DE) 4 05 00 419

(51) **LOC (8) Cl.** **16-06**

(52) **U.S. Cl.** **D16/131**

(58) **Field of Classification Search** D16/130,
D16/131; 359/375, 376, 377, 378, 380, 381,
359/382, 383, 385, 379, 368; 396/432; 362/353;
250/201.3

See application file for complete search history.

DESCRIPTION

FIG. 1 is a frontal perspective view of the microscope of the present invention;

FIG. 2 is a left side elevational view of the microscope of the present invention;

FIG. 3 is front elevational view of the microscope of the present invention;

FIG. 4 is a right side elevational view of the microscope of the present invention;

FIG. 5 is a rear elevational view of the microscope of the present invention;

FIG. 6 is a top view of the microscope of the present invention; and,

FIG. 7 is a bottom view of the microscope of the present invention.

(56) **References Cited**

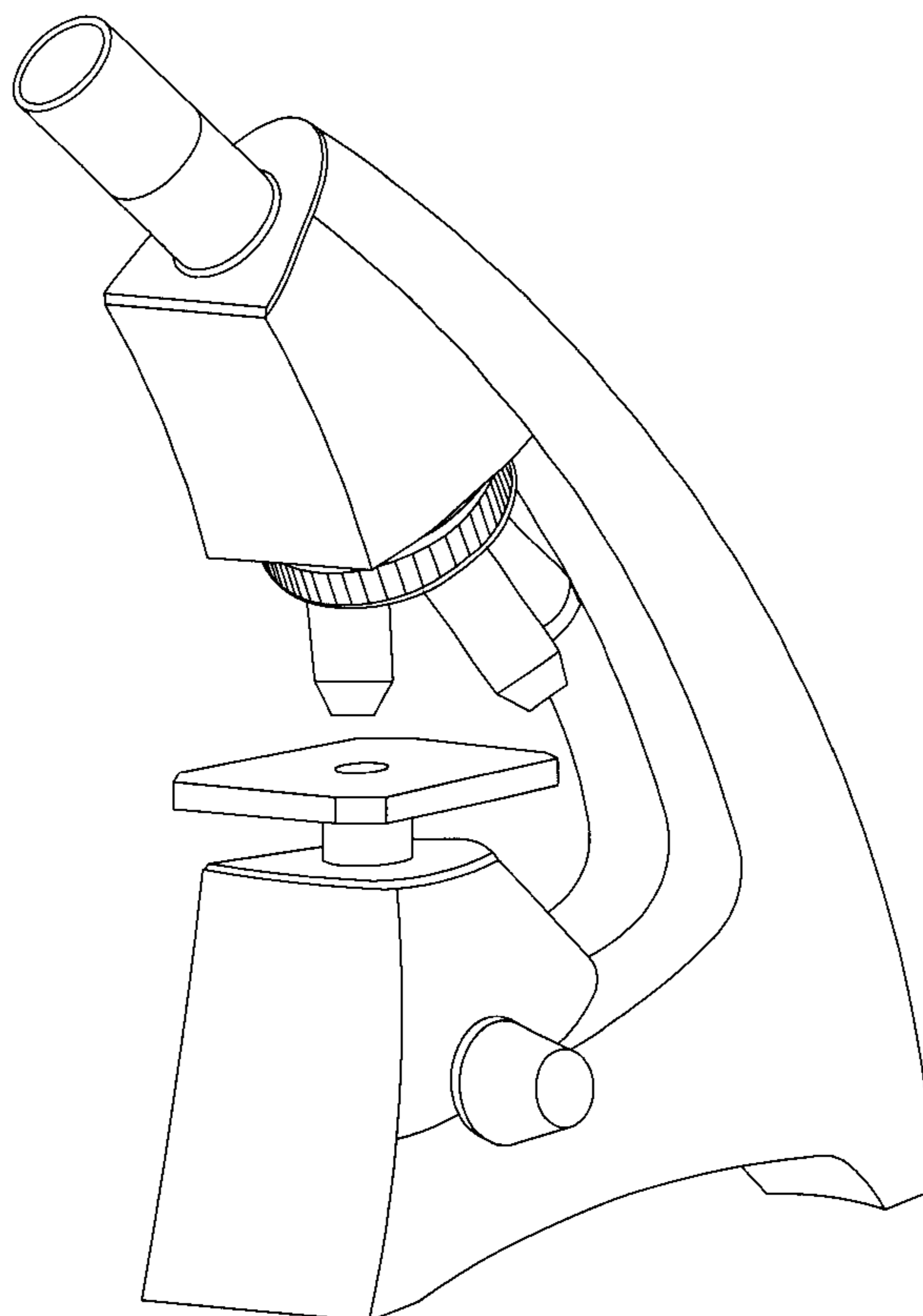
U.S. PATENT DOCUMENTS

3,260,157 A * 7/1966 Boughton 359/379

3,360,641 A * 12/1967 Korte 359/385

3,721,827 A * 3/1973 Reinheimer 250/201.3

1 Claim, 7 Drawing Sheets



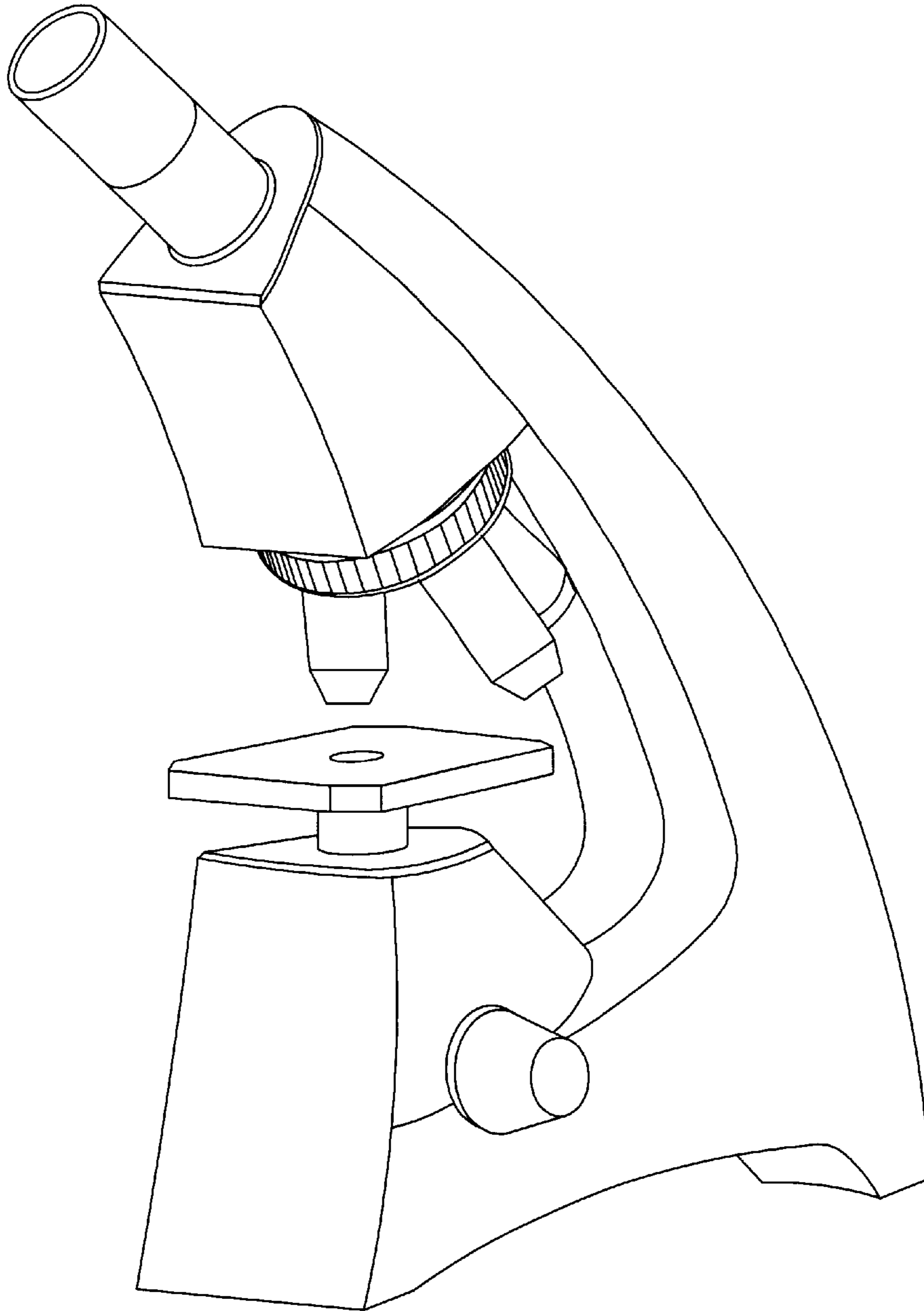


Fig. 1

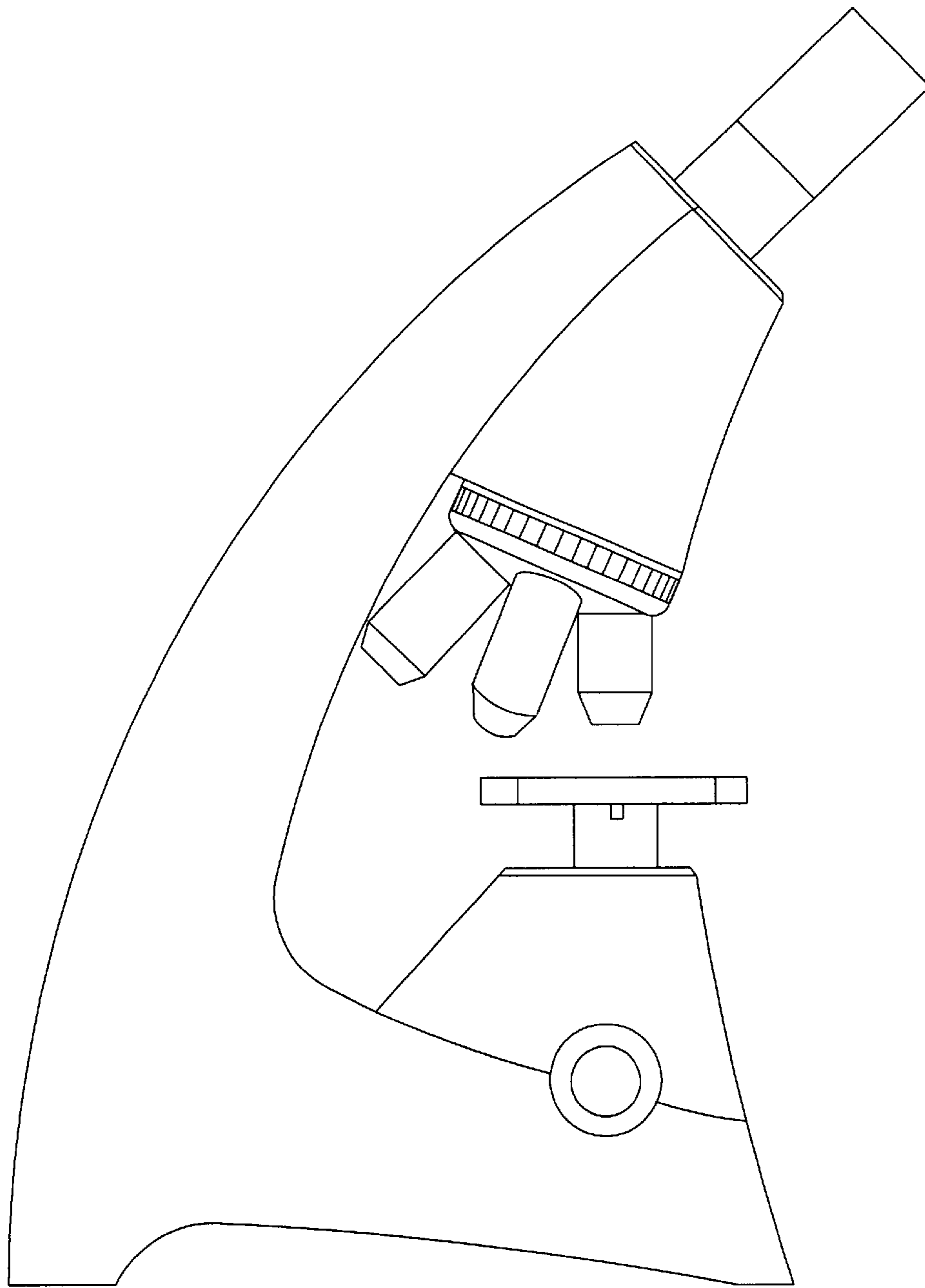


Fig. 2

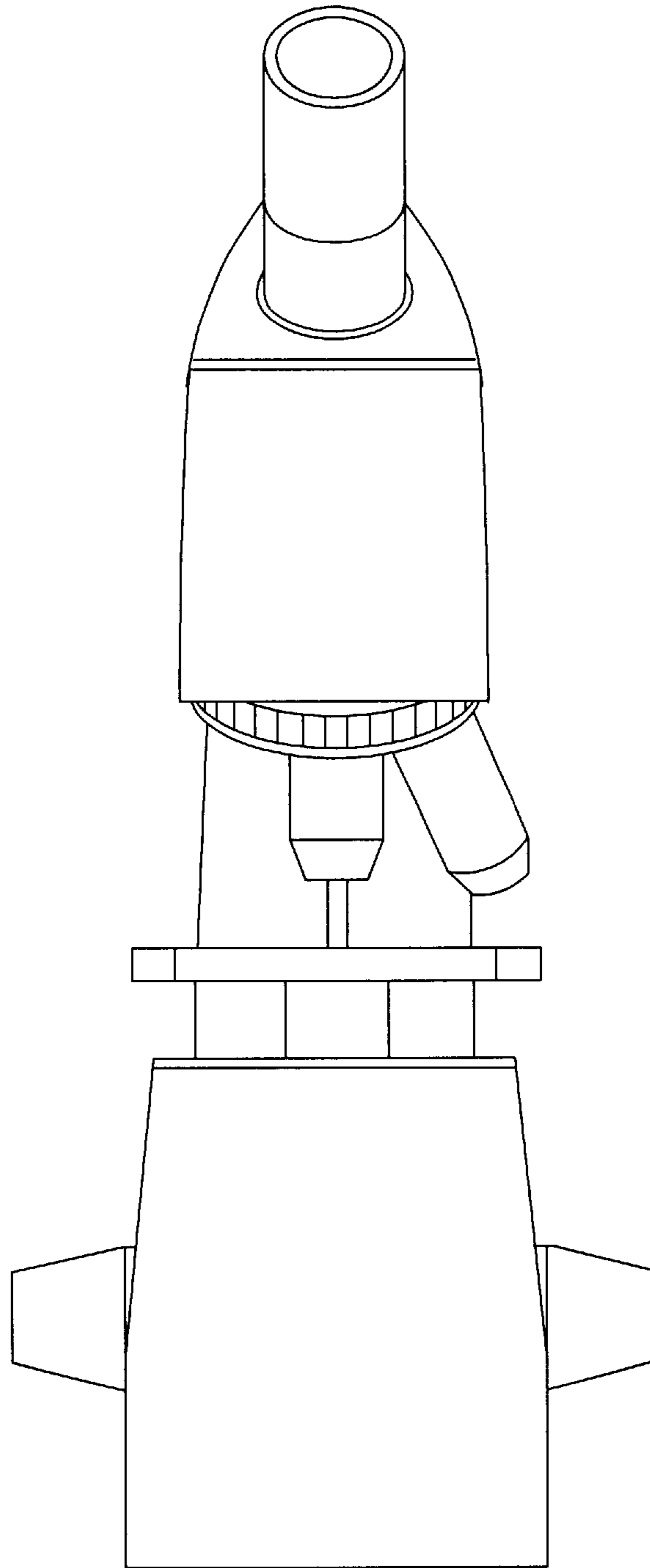


Fig. 3

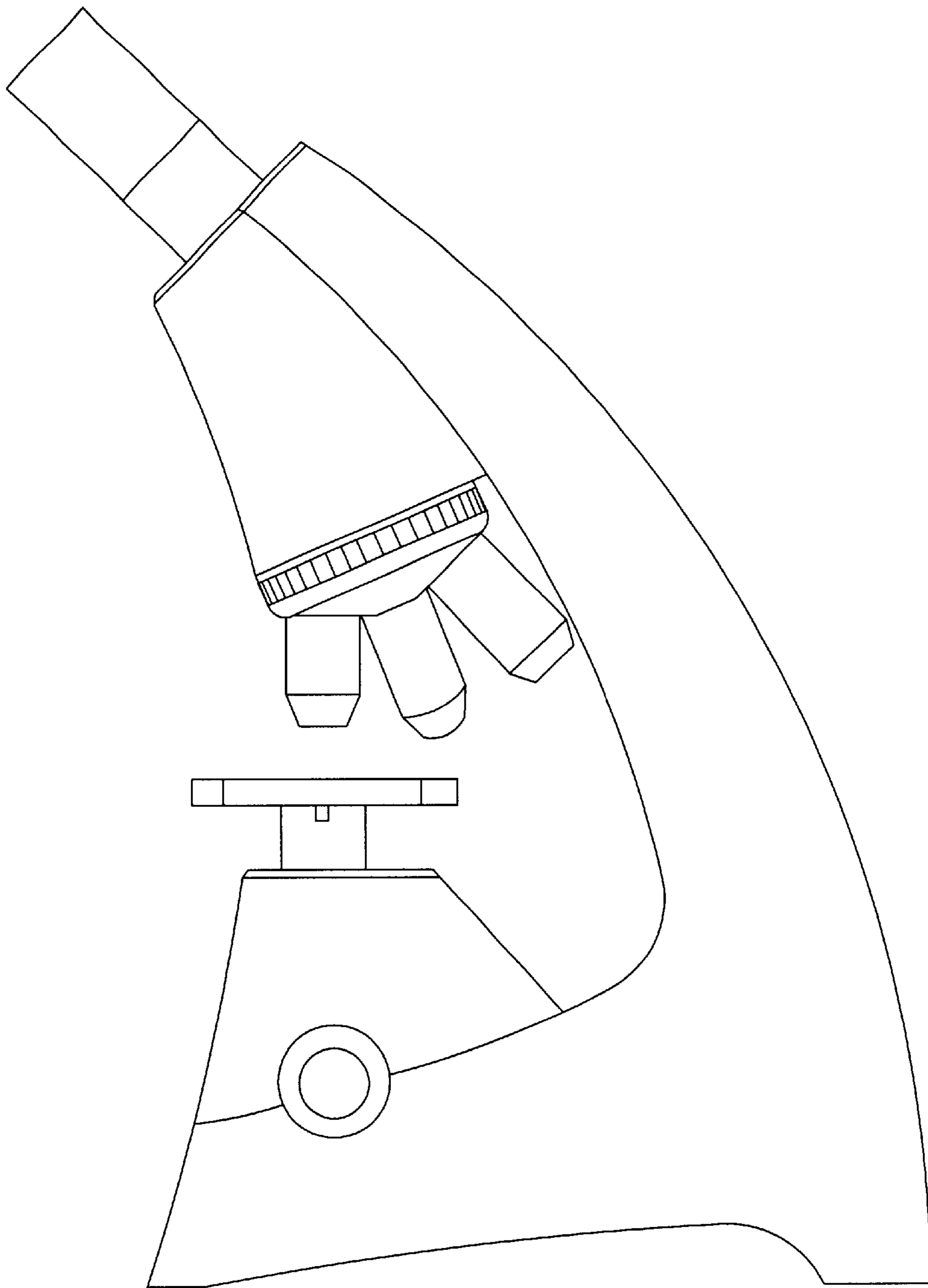


Fig. 4

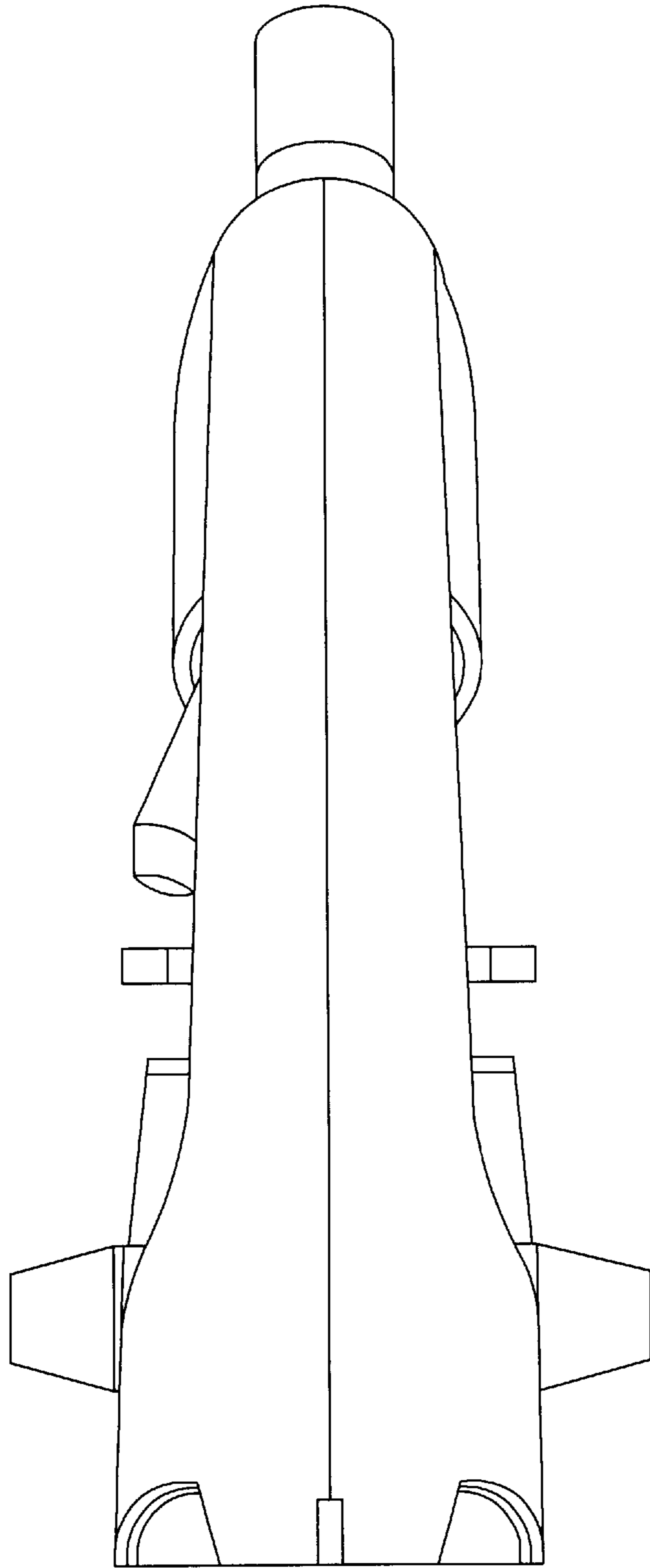


Fig. 5

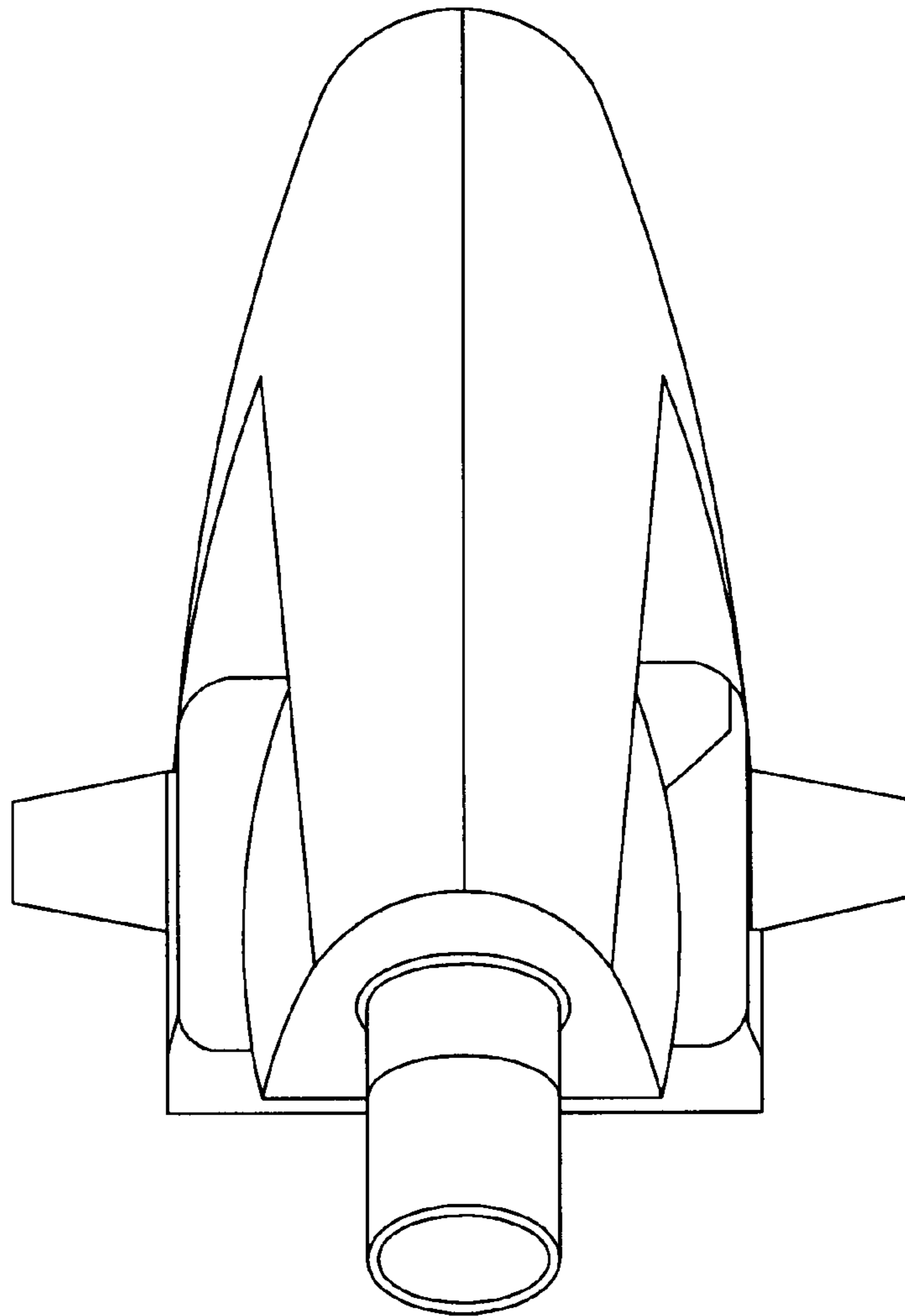


Fig. 6

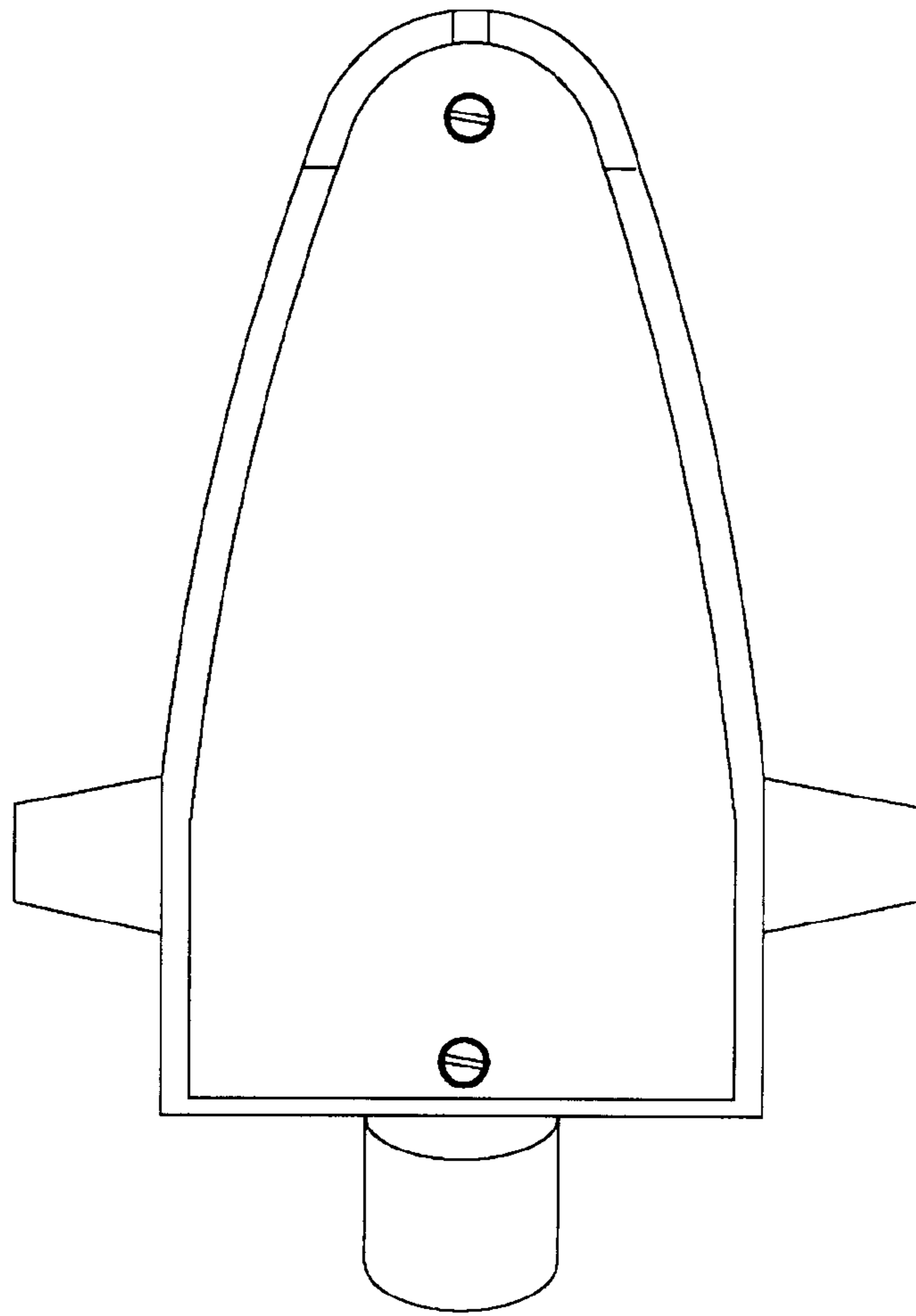


Fig. 7