



US00D525635S

(12) **United States Design Patent** (10) **Patent No.:** **US D525,635 S**
East (45) **Date of Patent:** **** Jul. 25, 2006**

(54) **CUTTING TOOTH HOLDER AND TOOTH**

(76) Inventor: **C. Richard East**, 109 Elementary La.,
Patrick Springs, VA (US) 24133

(**) Term: **14 Years**

(21) Appl. No.: **29/221,290**

(22) Filed: **Jan. 13, 2005**

(51) **LOC (8) Cl.** **15-09**

(52) **U.S. Cl.** **D15/139**

(58) **Field of Classification Search** D15/139;
407/112-119

See application file for complete search history.

(56) **References Cited**

U.S. PATENT DOCUMENTS

- 1,653,265 A * 12/1927 Foerster
- 2,160,525 A * 5/1939 Thornton
- 2,736,352 A * 2/1956 Wright
- 3,261,384 A * 7/1966 Henderson
- 3,358,720 A * 12/1967 Henderson
- 3,818,561 A * 6/1974 Montana et al.
- 3,945,289 A * 3/1976 Baez Rios
- 3,977,447 A * 8/1976 Pease
- 3,986,421 A * 10/1976 Schultz
- 4,084,470 A * 4/1978 Reed
- 4,563,929 A * 1/1986 Ringlee et al.
- 4,738,291 A * 4/1988 Isley
- 4,744,278 A * 5/1988 Wright
- 4,750,396 A * 6/1988 Gaddis et al.
- 4,765,217 A * 8/1988 Ludwig
- 4,848,205 A * 7/1989 Suzuki et al.
- 4,879,936 A * 11/1989 Anderson
- 4,932,447 A * 6/1990 Morin
- 5,058,477 A * 10/1991 MacLennan
- 5,085,112 A * 2/1992 MacLennan
- 5,088,371 A * 2/1992 MacLennan
- 5,113,919 A * 5/1992 MacLennan
- 5,131,305 A * 7/1992 MacLennan

- 5,205,199 A * 4/1993 MacLennan
- 5,211,212 A * 5/1993 Carlson et al.
- 5,303,752 A * 4/1994 MacLennan
- 5,307,719 A * 5/1994 MacLennan
- D381,027 S * 7/1997 Mihic D15/139
- 5,644,965 A * 7/1997 MacLennan et al.
- 5,733,073 A * 3/1998 Zitzlaff et al. 407/113
- D486,503 S * 2/2004 East
- D488,174 S * 4/2004 East
- 7,001,115 B1 * 2/2006 Erickson et al. 407/113
- 2004/0151551 A1 * 8/2004 Oettle 407/117
- 2005/0244233 A1 * 11/2005 Jonsson 407/116

OTHER PUBLICATIONS

Drawings for Disk Saw Blade and Method, C. Richard East, whose utility application was filed on Dec. 27, 2002, U.S. Appl. No. 10/331,732, 5 pages.*

Drawings for Cutting Tooth, C. Richard East, whose design application was filed May 7, 2004, U.S. Appl. No. 29/205,041, 1 page.*

* cited by examiner

Primary Examiner—Antoine D. Davis
Assistant Examiner—Patricia Palasik

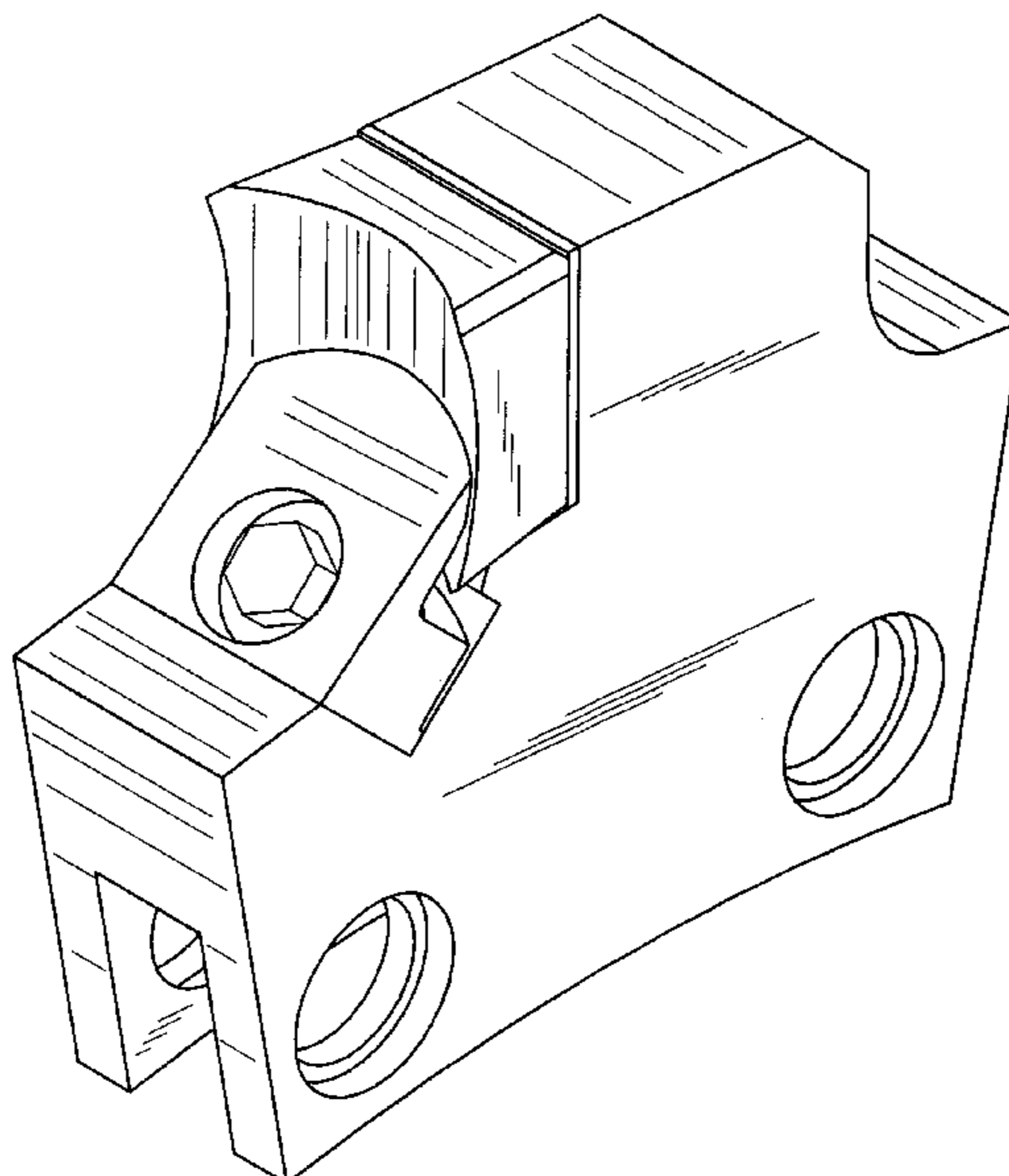
(57) **CLAIM**

The ornamental design for a cutting tooth holder and tooth, as shown and described.

DESCRIPTION

FIG. 1 is a front, top right side perspective view of a cutting tooth holder and tooth embodying my design; FIG. 2 is a rear elevational view of the cutting tooth holder and tooth as shown in FIG. 1; FIG. 3 is a front elevational view thereof; FIG. 4 is a top plan view thereof; FIG. 5 is a bottom plan view thereof; and, FIG. 6 is a left side elevational view thereof.

1 Claim, 6 Drawing Sheets



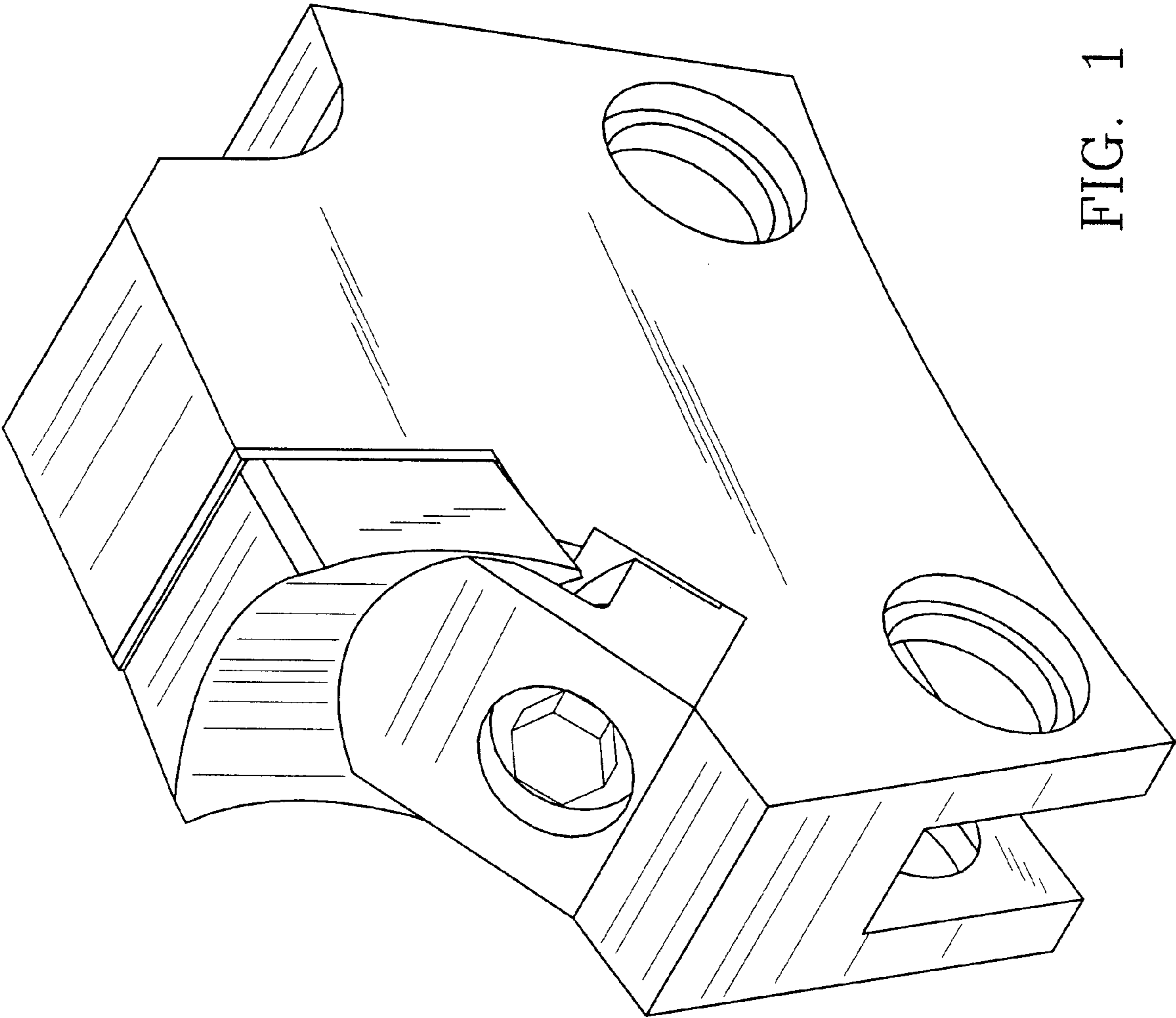


FIG. 1

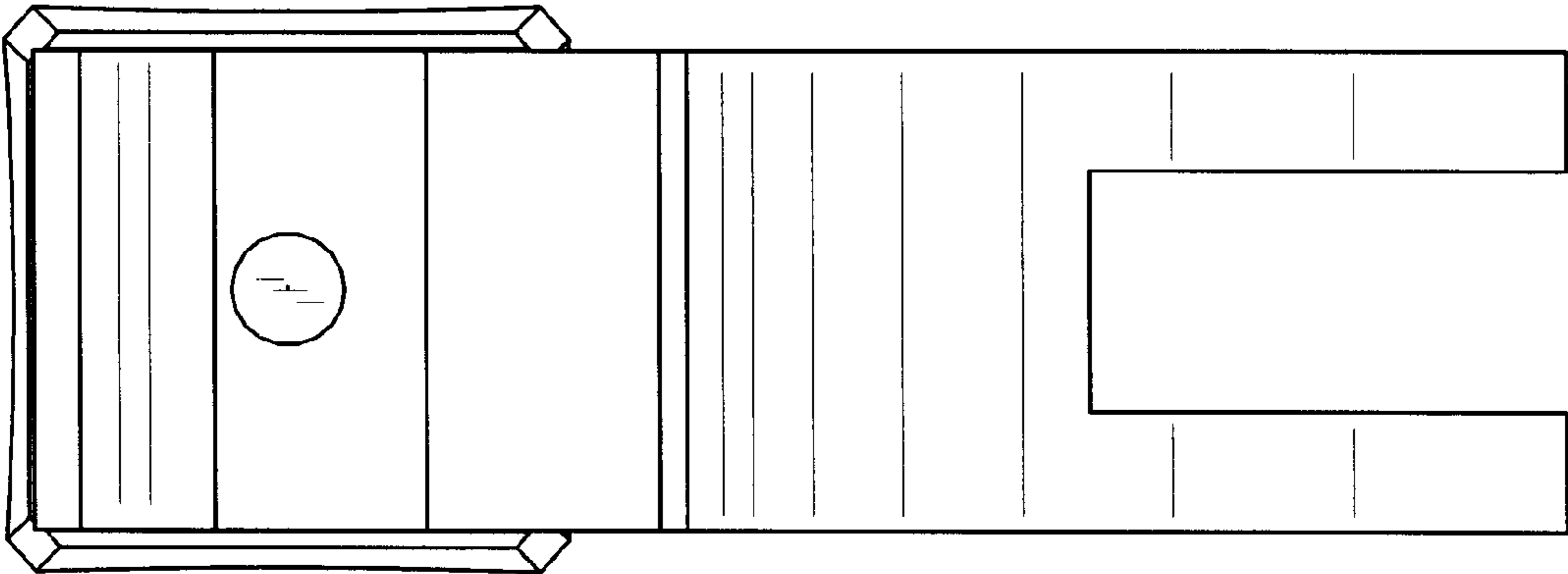


FIG. 2

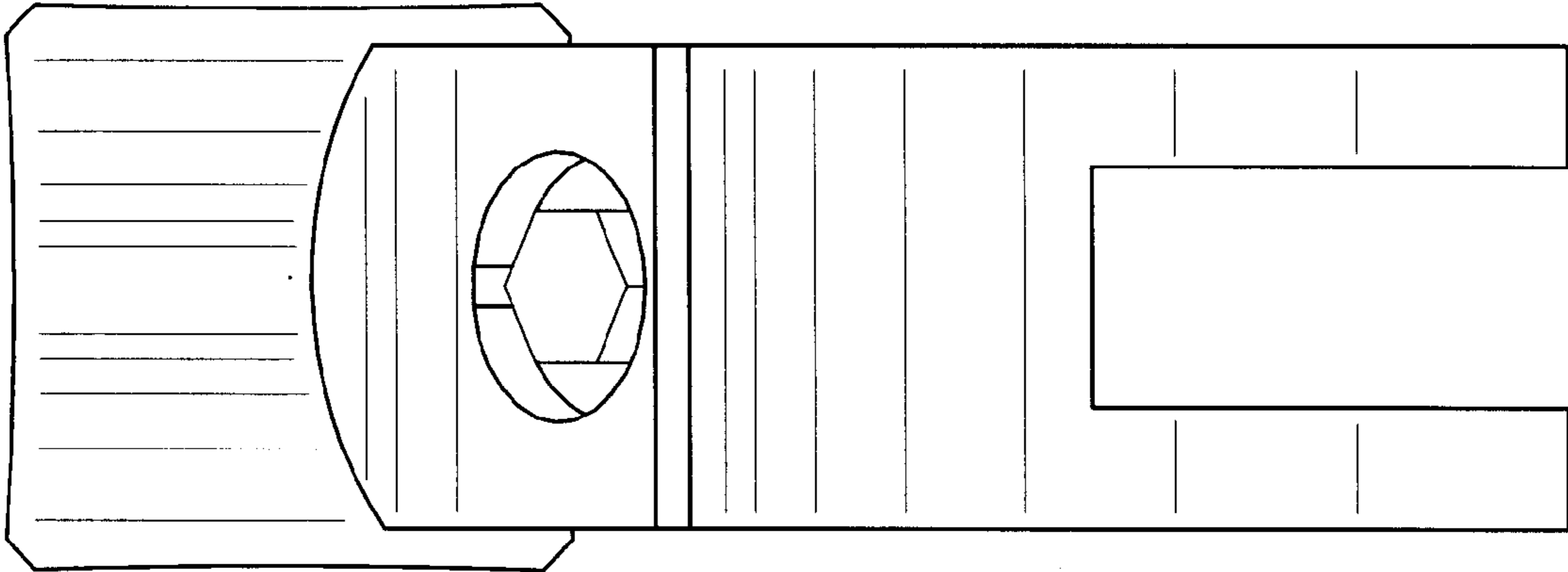


FIG. 3

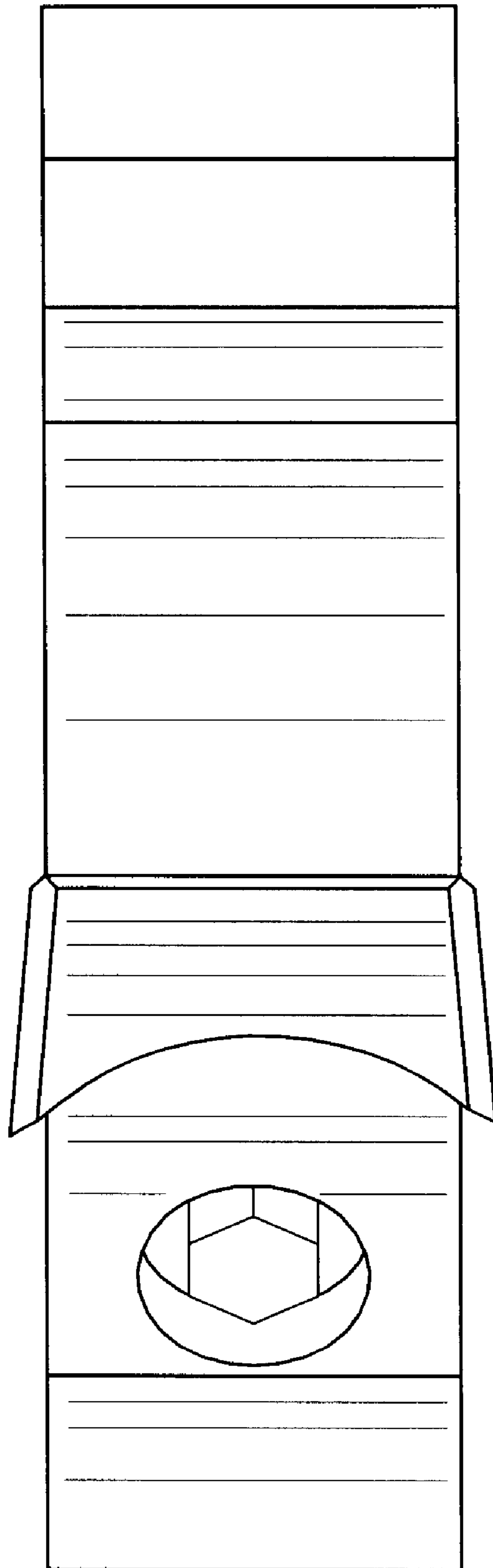


FIG. 4

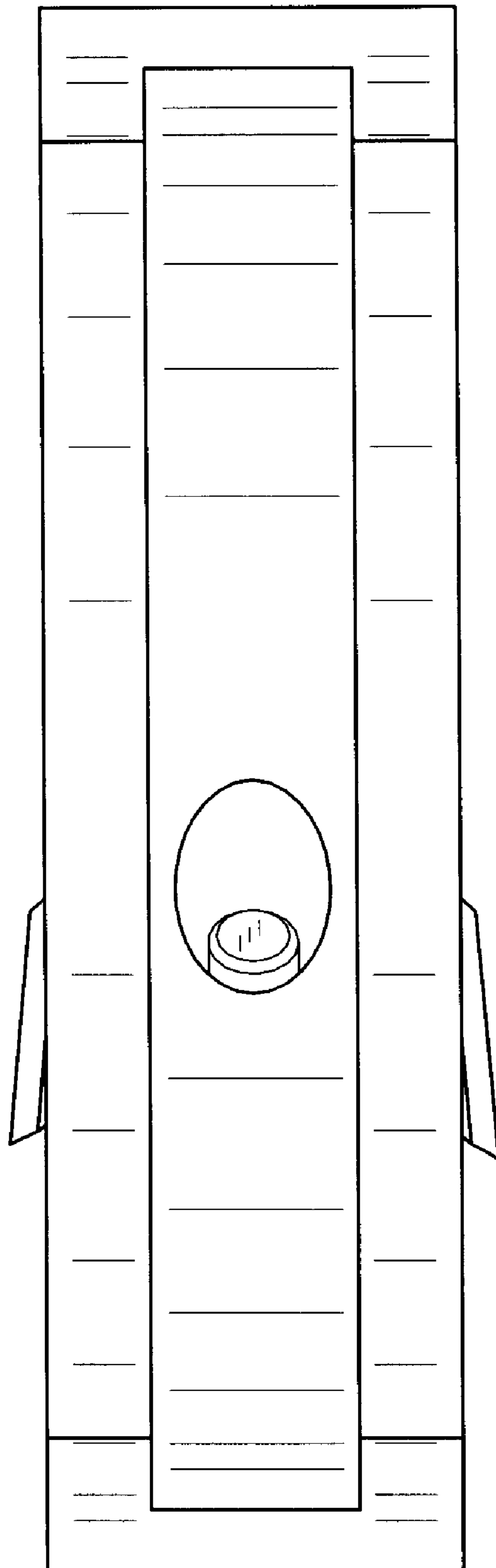


FIG. 5

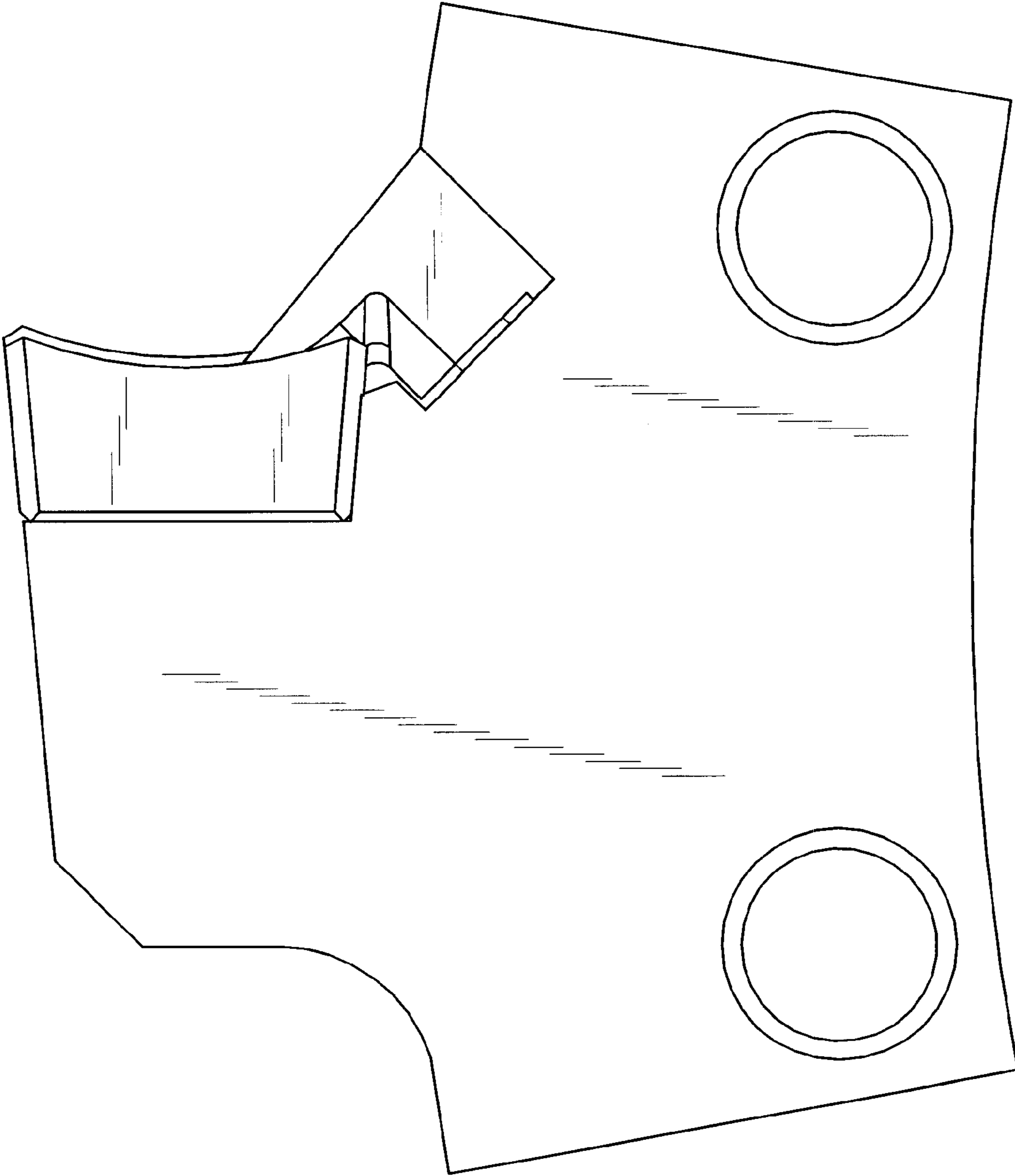


FIG. 6