

US00D525634S

(12) **United States Design Patent**  
**Kotala**

(10) **Patent No.:** **US D525,634 S**

(45) **Date of Patent:** **\*\* Jul. 25, 2006**

(54) **SHANK ADAPTER OF ROCK DRILLING MACHINE**

(75) Inventor: **Ari Kotala**, Tampere (FI)

(73) Assignee: **Sandvik Tamrock Oy**, Tampere (FI)

(\*\*) Term: **14 Years**

(21) Appl. No.: **29/222,032**

(22) Filed: **Jan. 25, 2005**

**Related U.S. Application Data**

(62) Division of application No. 29/182,690, filed on May 29, 2003, now Pat. No. Des. 508,061.

(30) **Foreign Application Priority Data**

Feb. 5, 2003 (FI) ..... M20030039

(51) **LOC (8) Cl.** ..... **15-09**

(52) **U.S. Cl.** ..... **D15/138; D15/132; D15/139**

(58) **Field of Classification Search** ..... D15/132, D15/138-139; 166/24; 175/206, 323; 228/114.5; 279/1, 19.3-19.6, 75, 143, 145; 403/307, 403/343; 408/144, 226, 239 A; 411/414, 411/416

See application file for complete search history.

(56) **References Cited**

**U.S. PATENT DOCUMENTS**

3,543,613 A \* 12/1970 Obloy ..... 408/57

3,933,210 A \* 1/1976 Skidmore ..... 173/132  
4,050,840 A \* 9/1977 Skingle ..... 408/144  
4,076,445 A \* 2/1978 Kress et al. .... 408/226  
4,242,888 A \* 1/1981 Komeiji et al. .... 464/111  
D266,521 S \* 10/1982 Gustafsson ..... D15/138  
6,109,620 A \* 8/2000 Roberts et al. .... 279/143  
6,810,956 B1 \* 11/2004 Sandstrom ..... 166/242.6

\* cited by examiner

*Primary Examiner*—Antoine D. Davis

(74) *Attorney, Agent, or Firm*—Ladas & Parry LLP

(57) **CLAIM**

The ornamental design for a shank adapter of rock drilling machine, as shown and described.

**DESCRIPTION**

FIG. 1 is a perspective front view of a shank adapter of rock drilling machine showing my new design; FIG. 2 is a perspective rear view thereof; FIG. 3 is a side view thereof; FIG. 4 is another side view thereof; FIG. 5 is a front view thereof; FIG. 6 is a rear view thereof; FIG. 7 is a perspective front view of another embodiment of my new design; FIG. 8 is a perspective rear view thereof; FIG. 9 is a side view thereof; FIG. 10 is another side view thereof; FIG. 11 is a rear view thereof; and, FIG. 12 is a front view thereof.

**1 Claim, 2 Drawing Sheets**

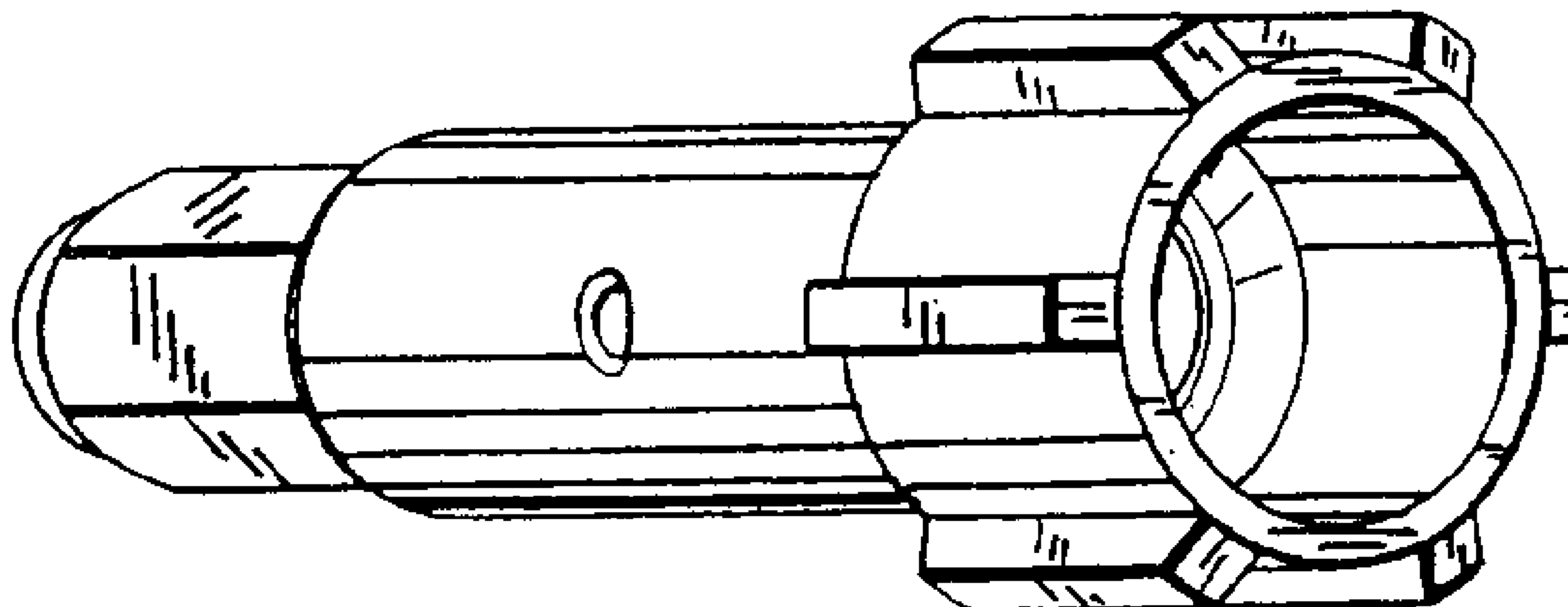


FIG. 1

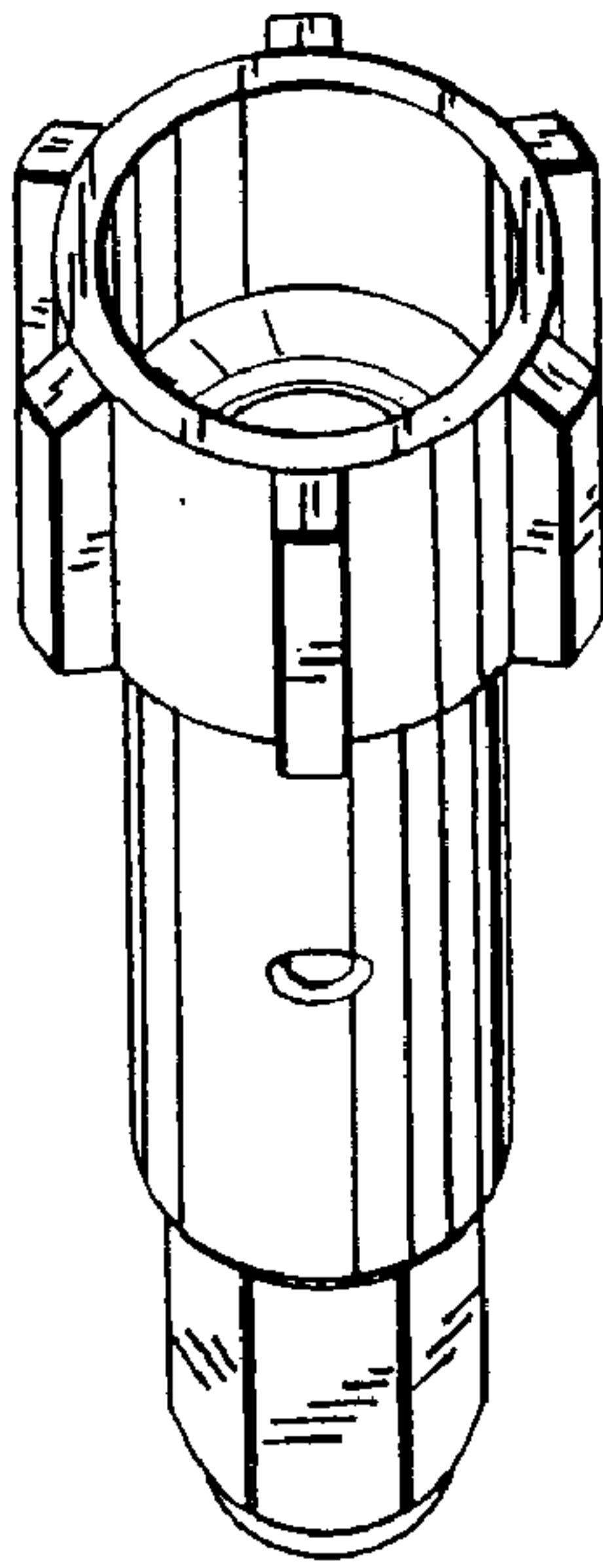


FIG. 2

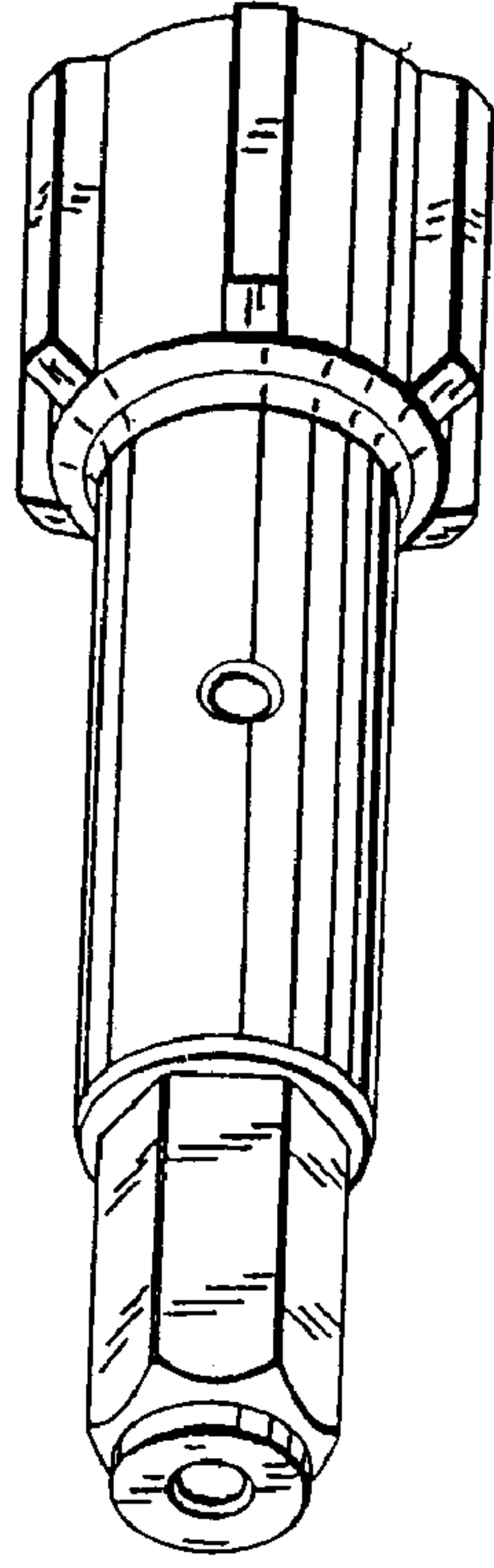


FIG. 3

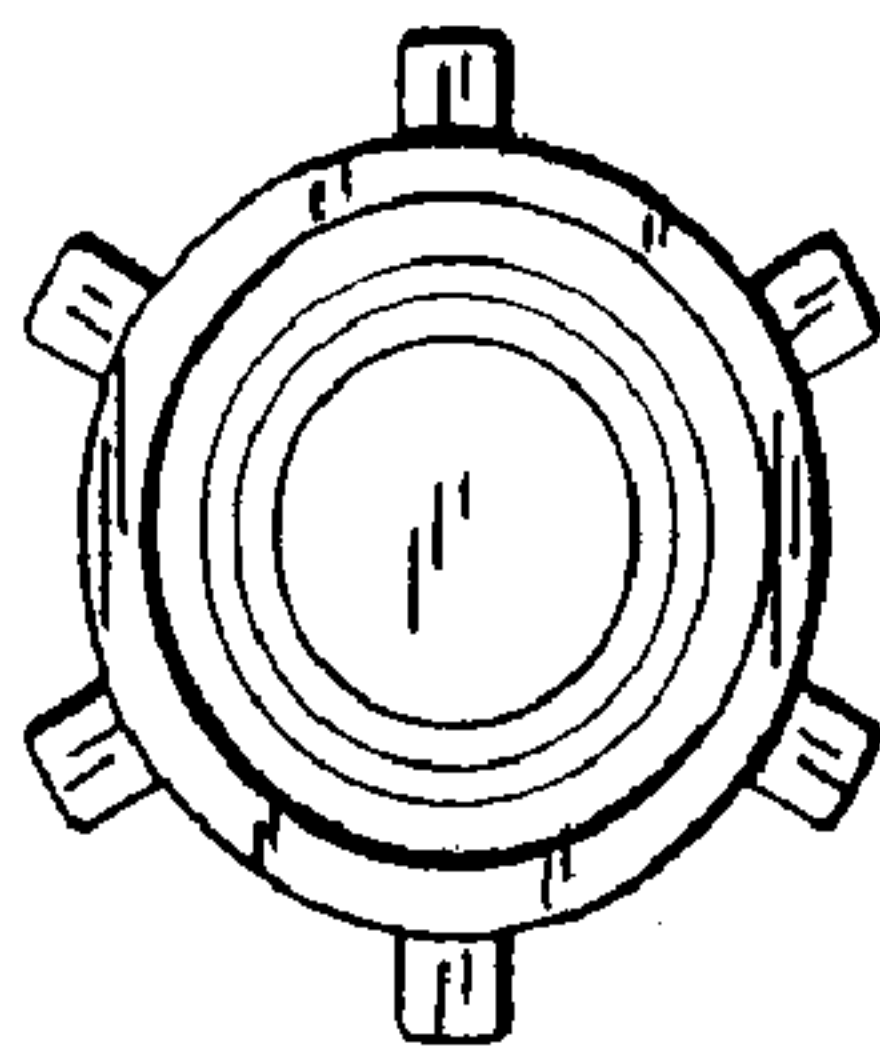
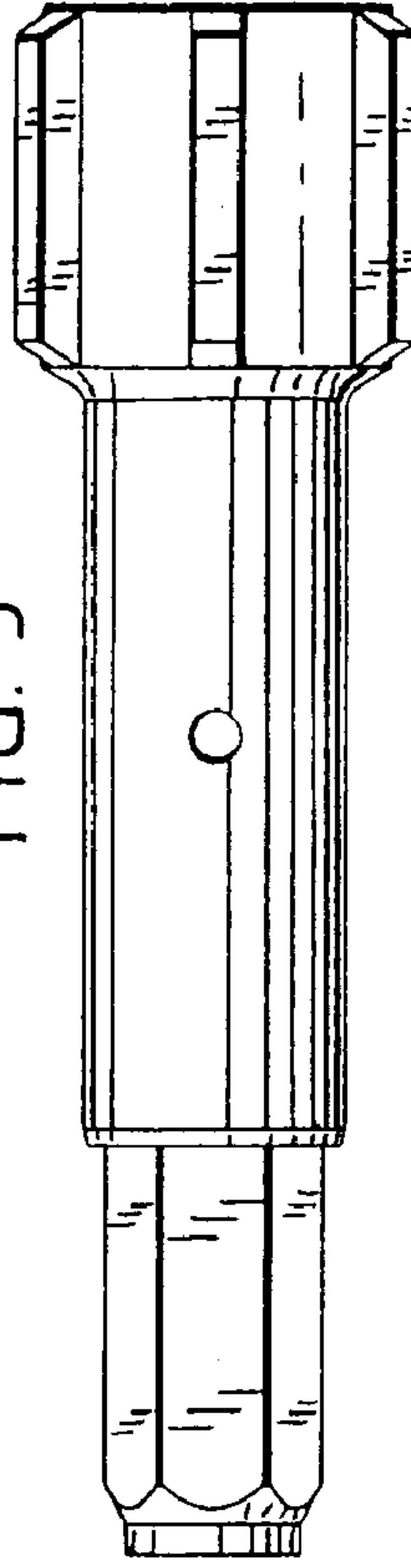


FIG. 5

FIG. 6

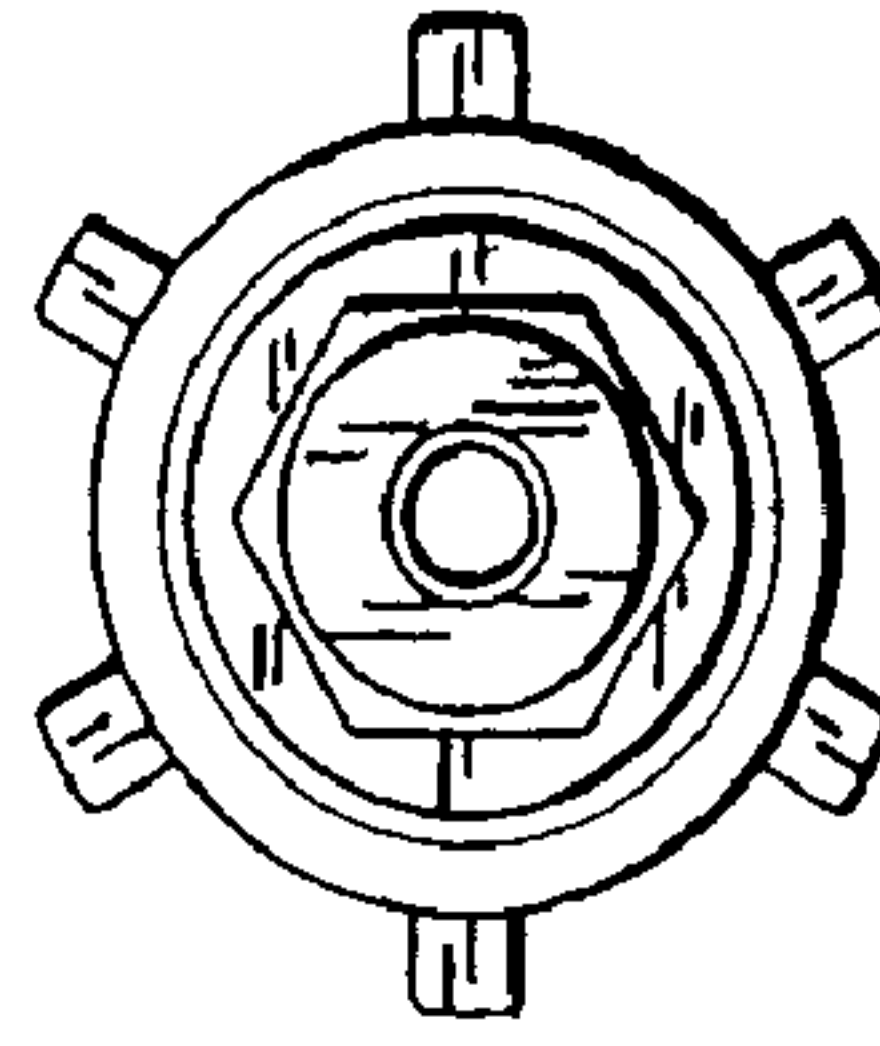


FIG. 4

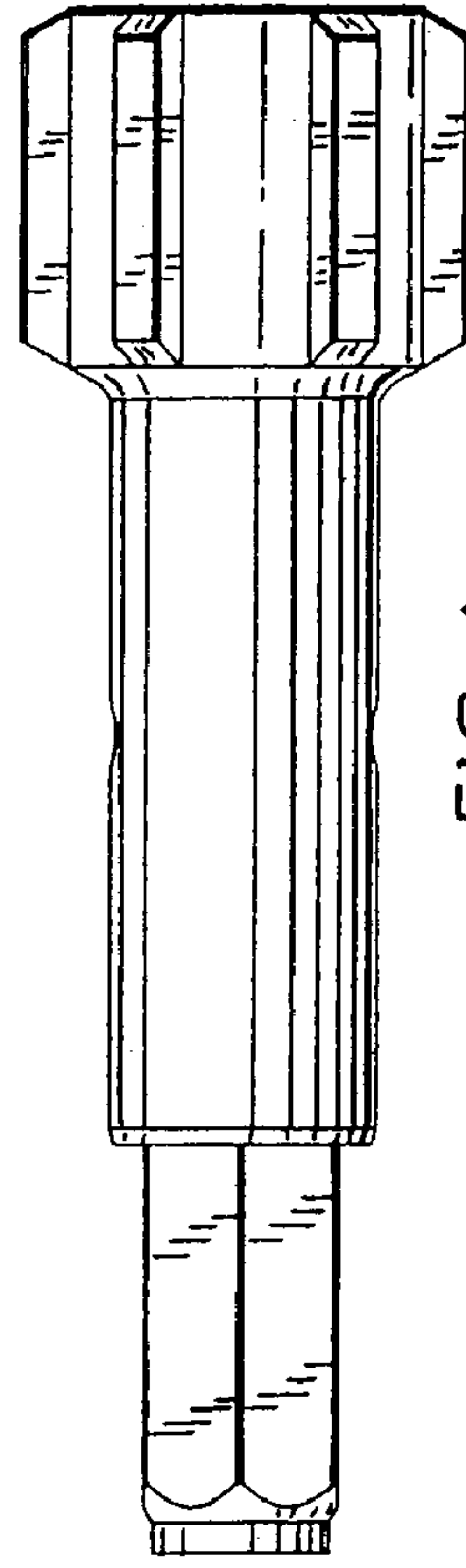


FIG. 7

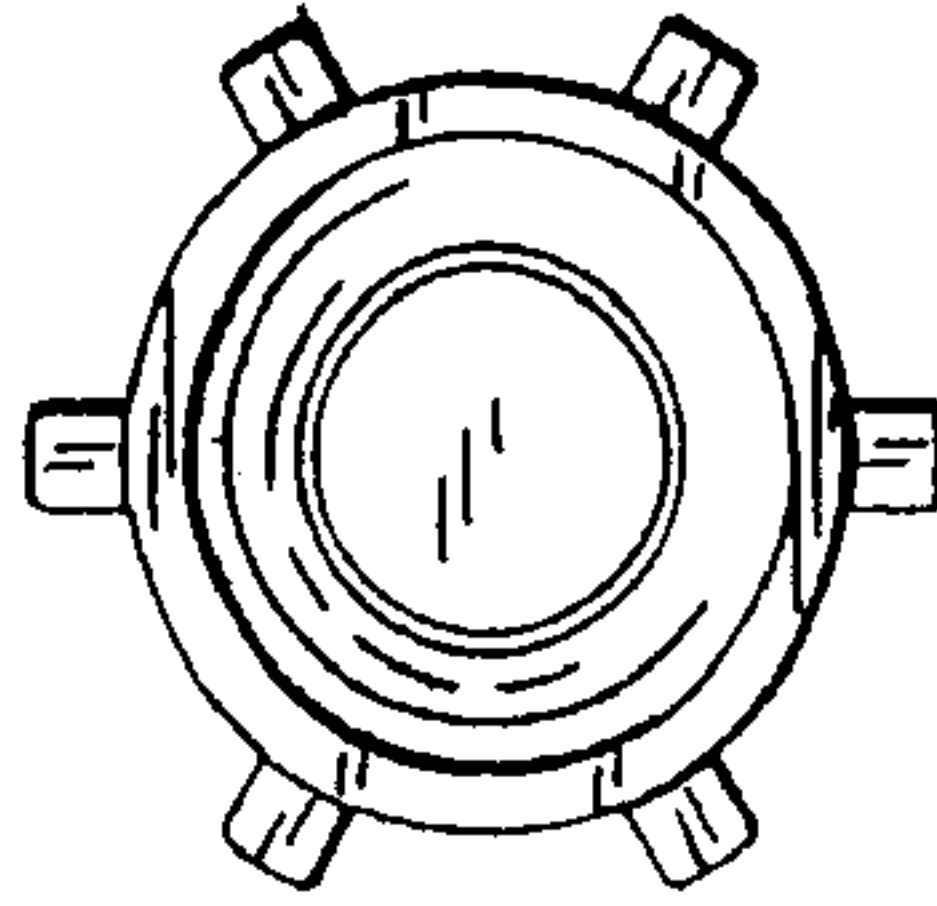
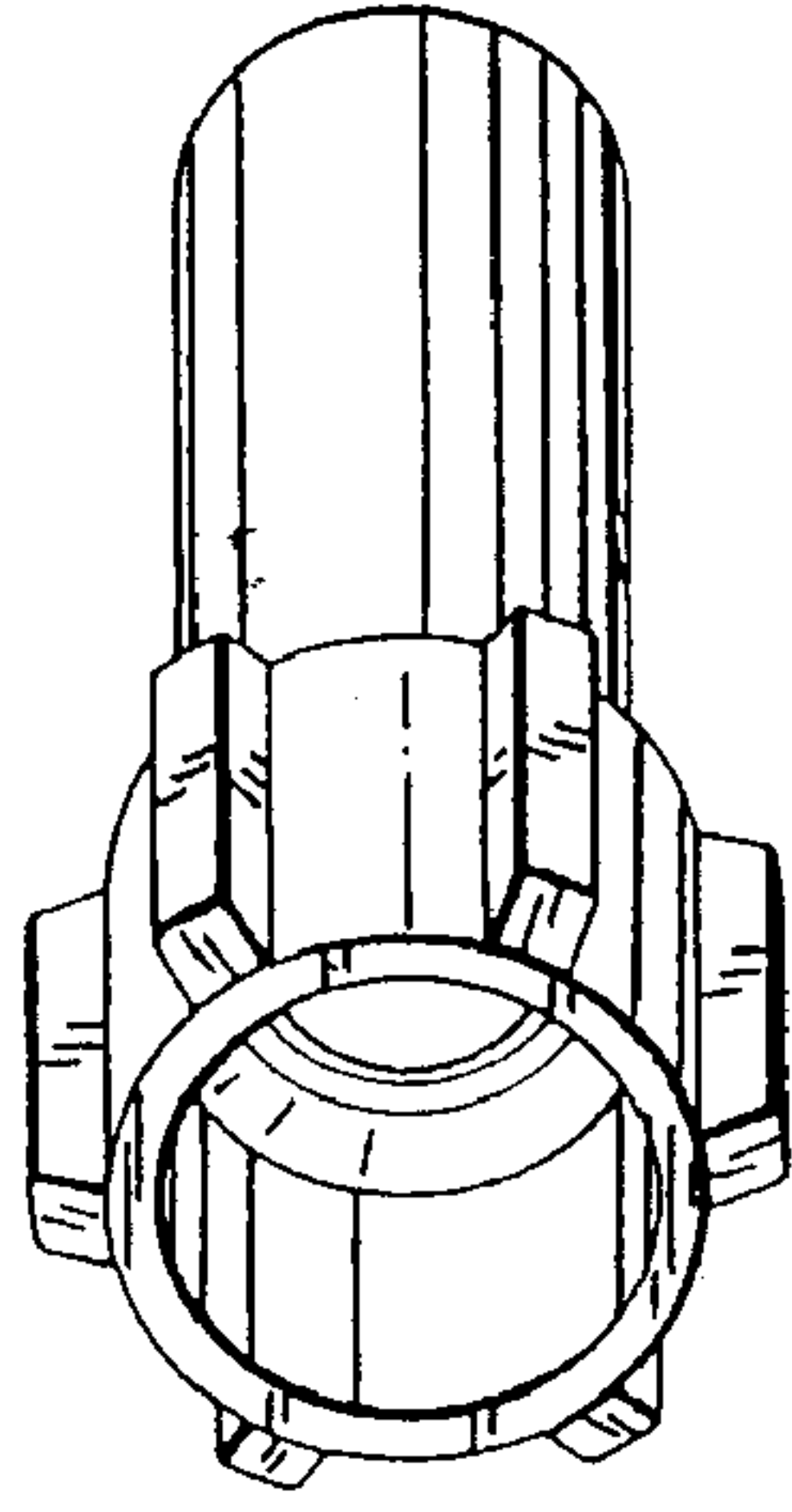


FIG. 12

FIG. 8

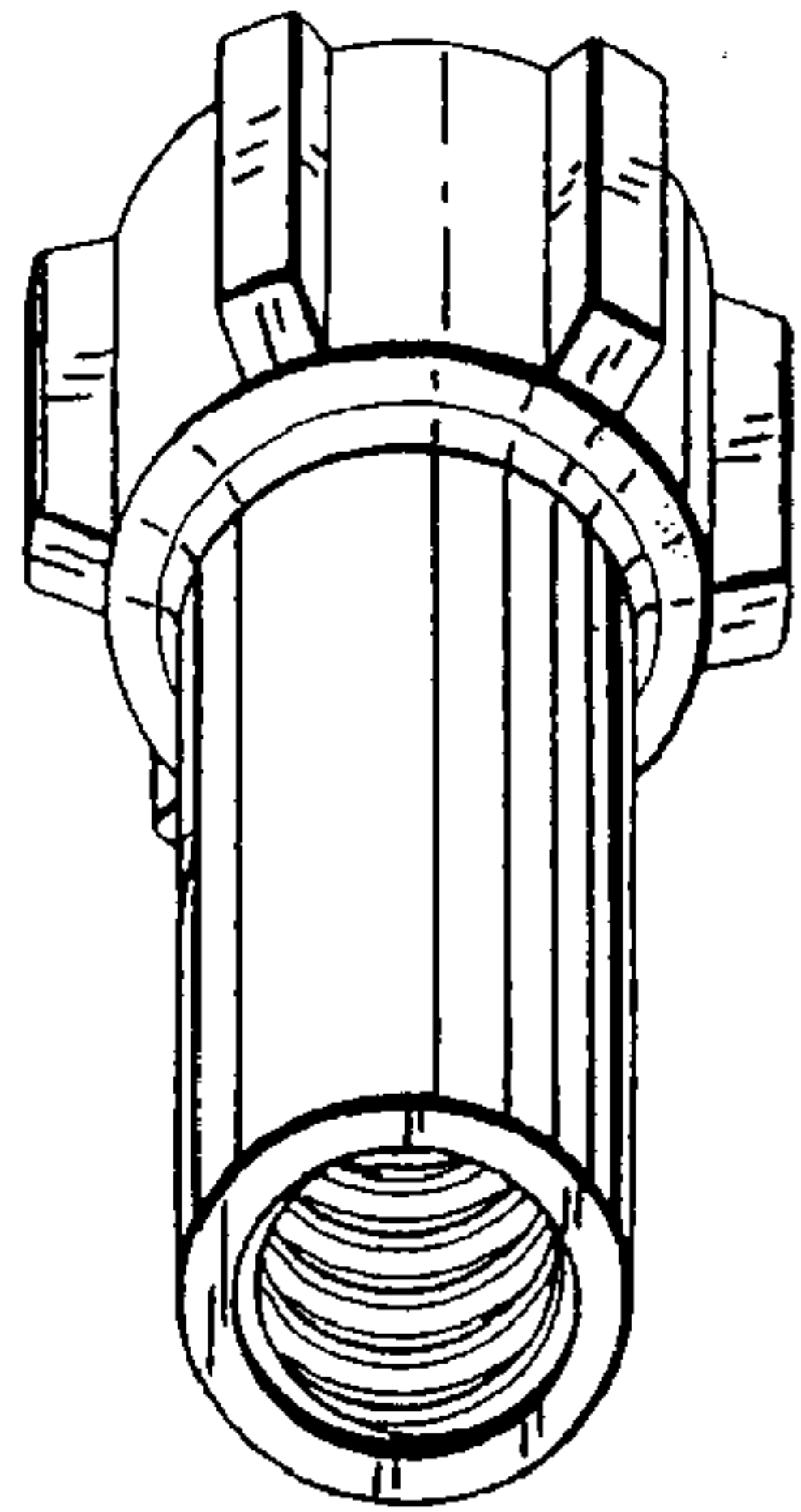


FIG. 9

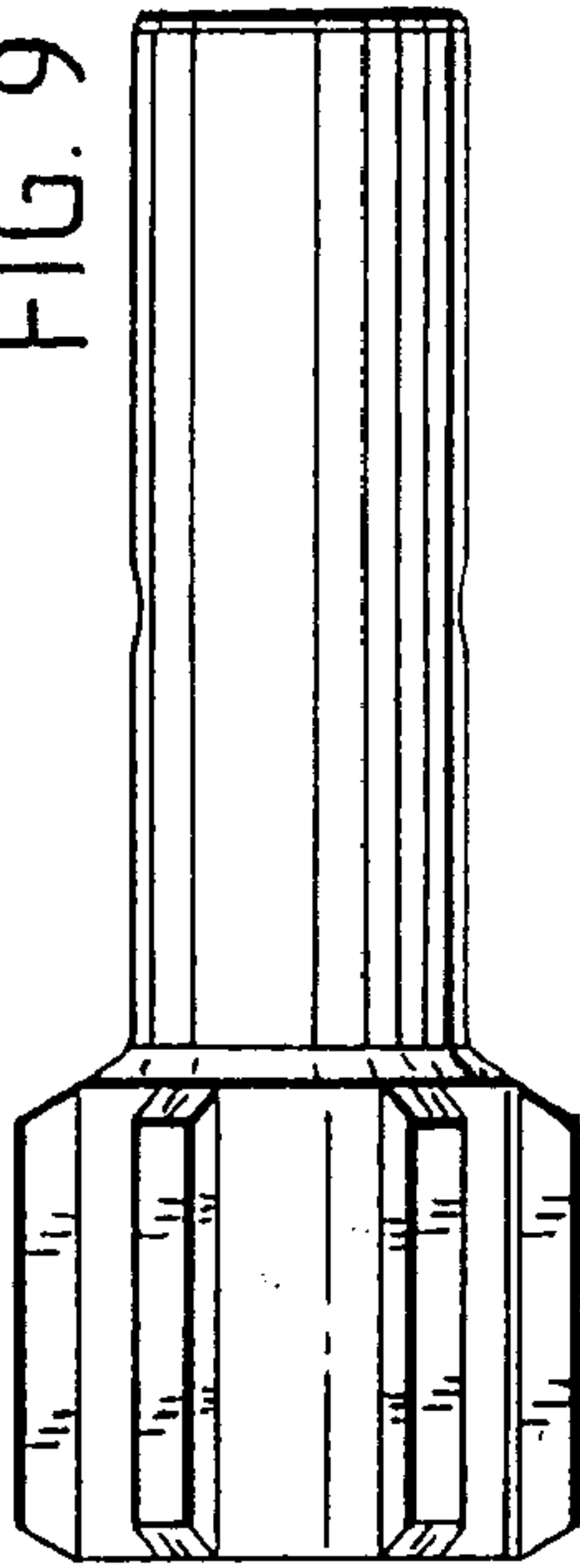


FIG. 10

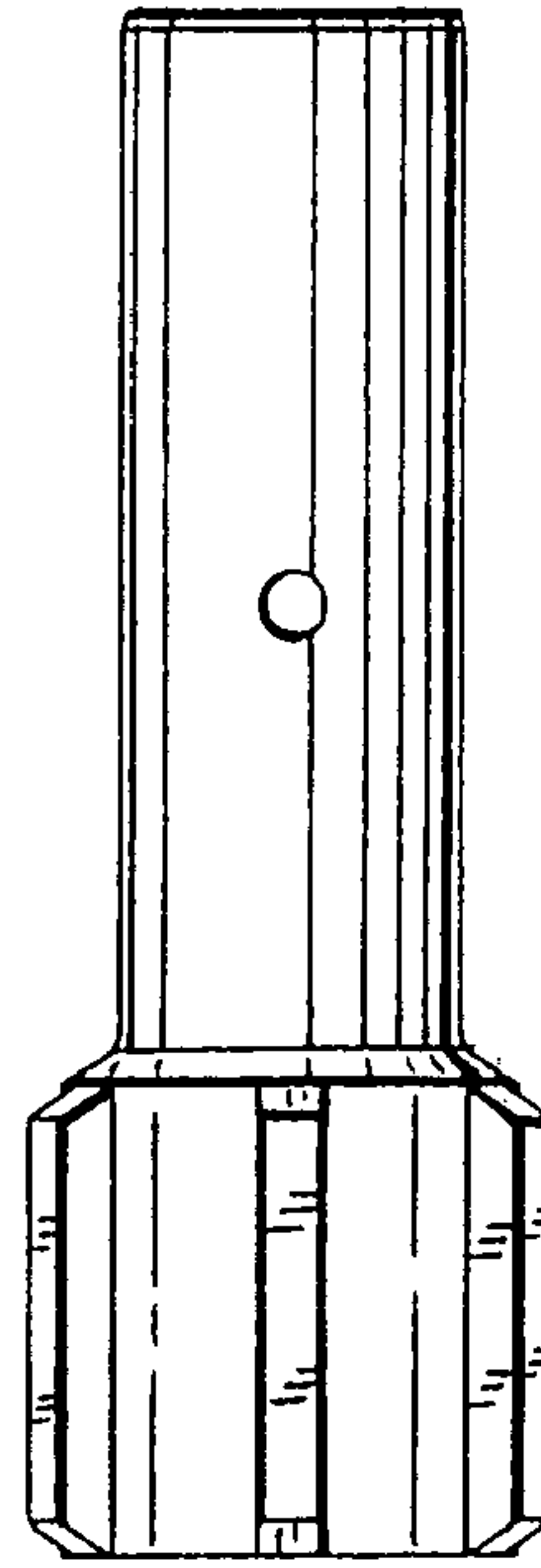


FIG. 11

