



US00D525627S

(12) **United States Design Patent**  
**Motoyoshi**

(10) **Patent No.:** **US D525,627 S**  
(45) **Date of Patent:** **\*\* Jul. 25, 2006**

- (54) **OPERATION BUTTON**
- (75) Inventor: **Kouichi Motoyoshi**, Kyoto (JP)
- (73) Assignee: **Murata Kikai Kabushiki Kaisha**,  
Kyoto (JP)
- (\*\*) Term: **14 Years**
- (21) Appl. No.: **29/212,757**
- (22) Filed: **Sep. 7, 2004**
- (30) **Foreign Application Priority Data**  
Mar. 15, 2004 (JP) ..... 2004-007633
- (51) **LOC (8) Cl.** ..... **16-03**
- (52) **U.S. Cl.** ..... **D14/471**
- (58) **Field of Classification Search** ..... D14/462-471,  
D14/299, 217, 432, 439, 496; D21/324, 333;  
358/440, 401, 442, 443; 273/148 B; 463/1,  
463/46, 47  
See application file for complete search history.

JP	D1080075-1	7/2000
JP	D1093357	12/2000
JP	D1094127	12/2000
JP	D1099881	2/2001
JP	D1120834	9/2001
JP	D1134624	2/2002
JP	D1134625	2/2002
JP	D1137127	3/2002
JP	D1149603	8/2002
JP	D1153194	9/2002
JP	D1153207	9/2002
JP	D1153694	9/2002
JP	D1153721	9/2002
JP	D1166763	3/2003
JP	D1192394	12/2003
JP	D1200324	3/2004
JP	D1200502	3/2004
JP	D1201650	4/2004
JP	D1201653	4/2004

\* cited by examiner

*Primary Examiner*—Prabhakar Deshmukh  
(74) *Attorney, Agent, or Firm*—Hogan & Hartson LLP

(57) **CLAIM**

The ornamental design for an operation button, as shown and described.

**DESCRIPTION**

FIG. 1 is a perspective view of our design for an operation button;  
FIG. 2 is a front view thereof;  
FIG. 3 is a rear view thereof;  
FIG. 4 is a top plan view thereof;  
FIG. 5 is a bottom plan view thereof;  
FIG. 6 is a right side elevational view thereof;  
FIG. 7 is a left side elevational view thereof; and,  
FIG. 8 is a cross-sectional view taken along line 8—8 of FIG. 2.

The broken lines are for illustrative purposes only and form no part of the claimed design.

**1 Claim, 4 Drawing Sheets**

(56) **References Cited**

**U.S. PATENT DOCUMENTS**

5,476,261	A	*	12/1995	Hultstrand	.....	273/148 B
5,486,845	A	*	1/1996	Chait	.....	345/163
5,812,116	A	*	9/1998	Malhi	.....	345/168
D408,366	S	*	4/1999	Popadiuk	.....	D13/158
D411,587	S	*	6/1999	Beyer	.....	D21/333
D415,799	S	*	10/1999	Beyer	.....	D14/400
D430,222	S	*	8/2000	Goto	.....	D21/333
D483,380	S	*	12/2003	Yamaguchi	.....	D14/471
D487,109	S	*	2/2004	Suzuki	.....	D18/50
6,700,565	B1	*	3/2004	Niiyama	.....	345/172
6,826,042	B1	*	11/2004	Oross et al.	.....	361/683
6,952,197	B1	*	10/2005	Nakamura et al.	.....	345/157

**FOREIGN PATENT DOCUMENTS**

JP	D1064657	3/2000
JP	D1079578	7/2000
JP	D1080075	7/2000

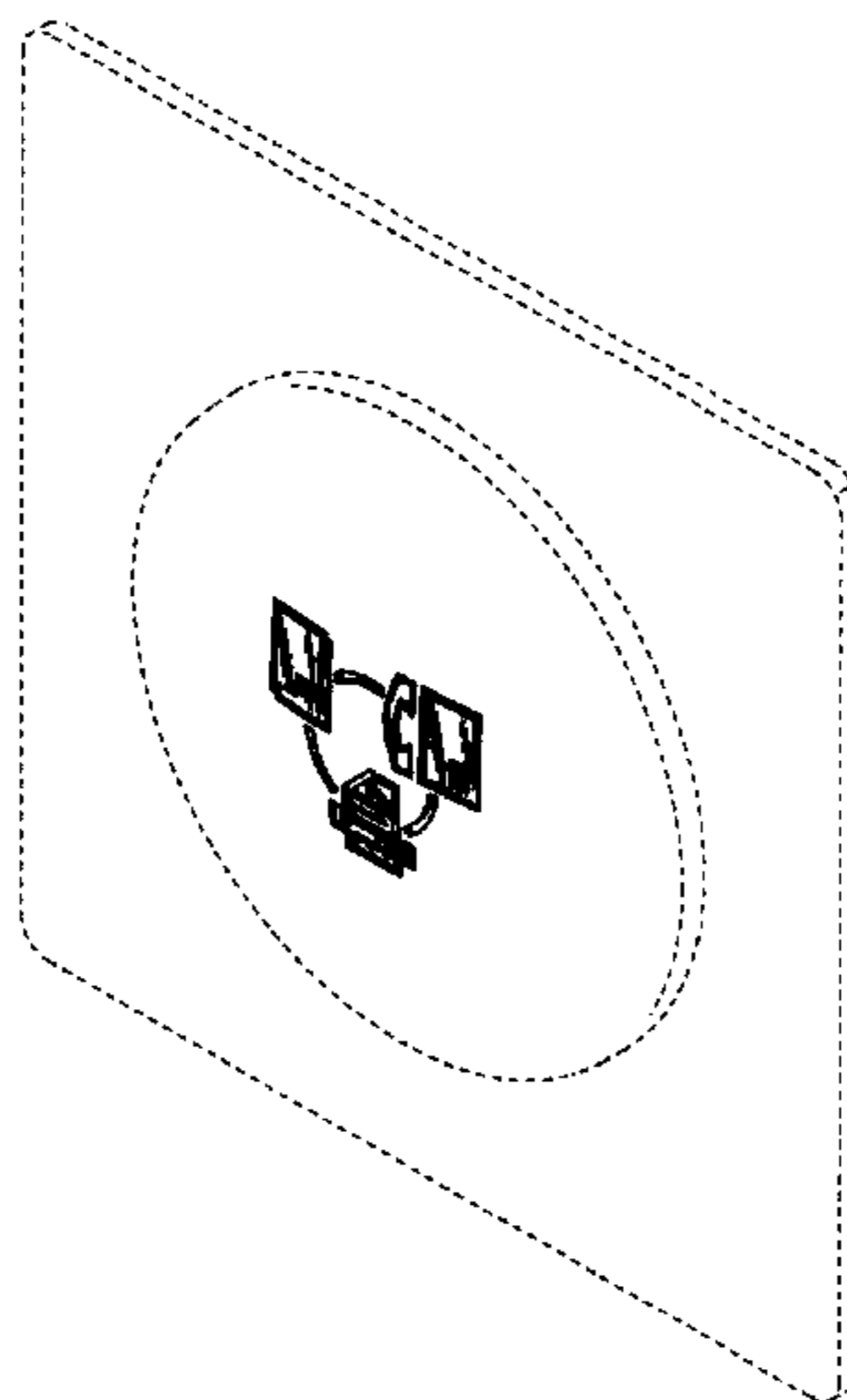


FIG. 1

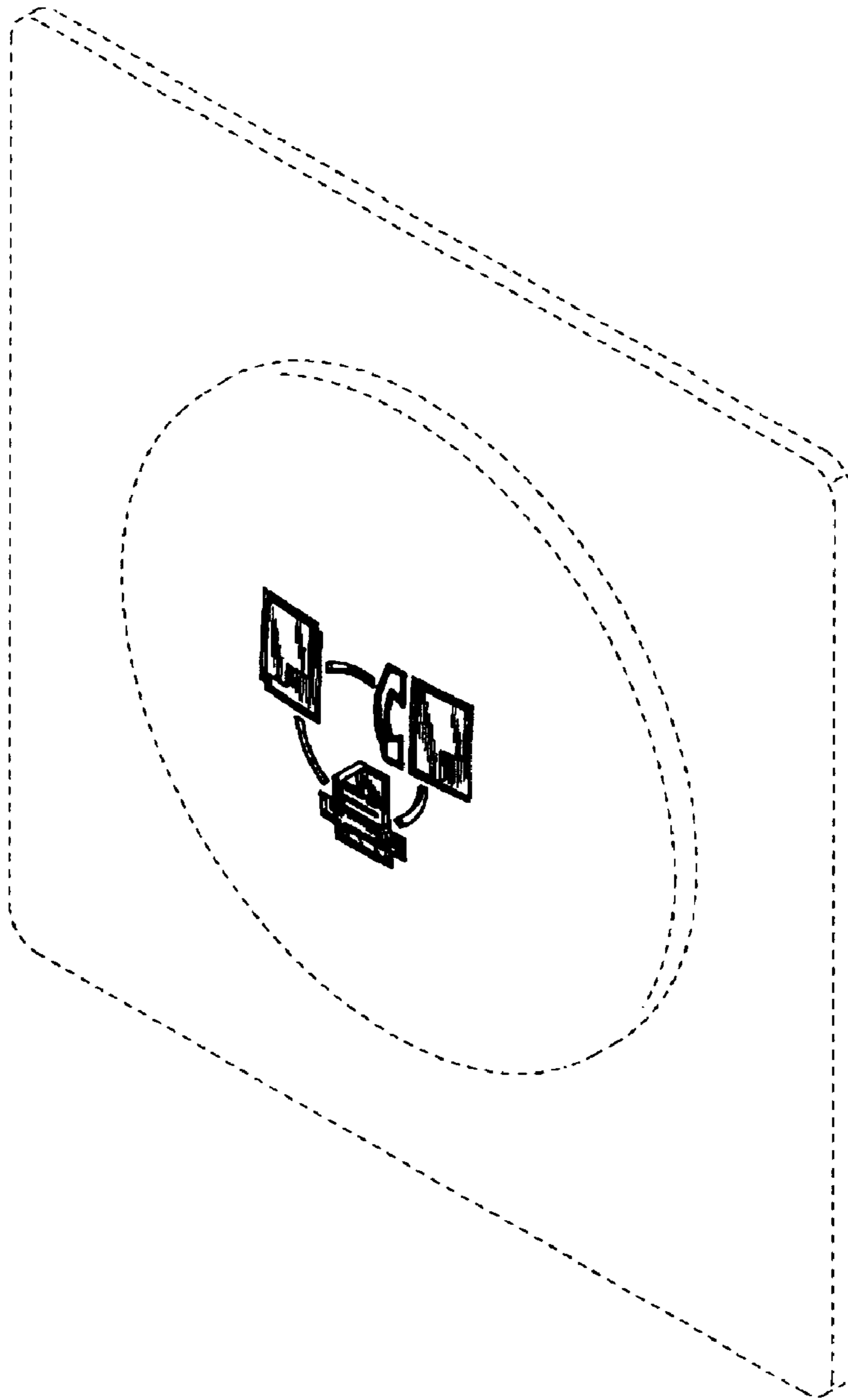


FIG. 2

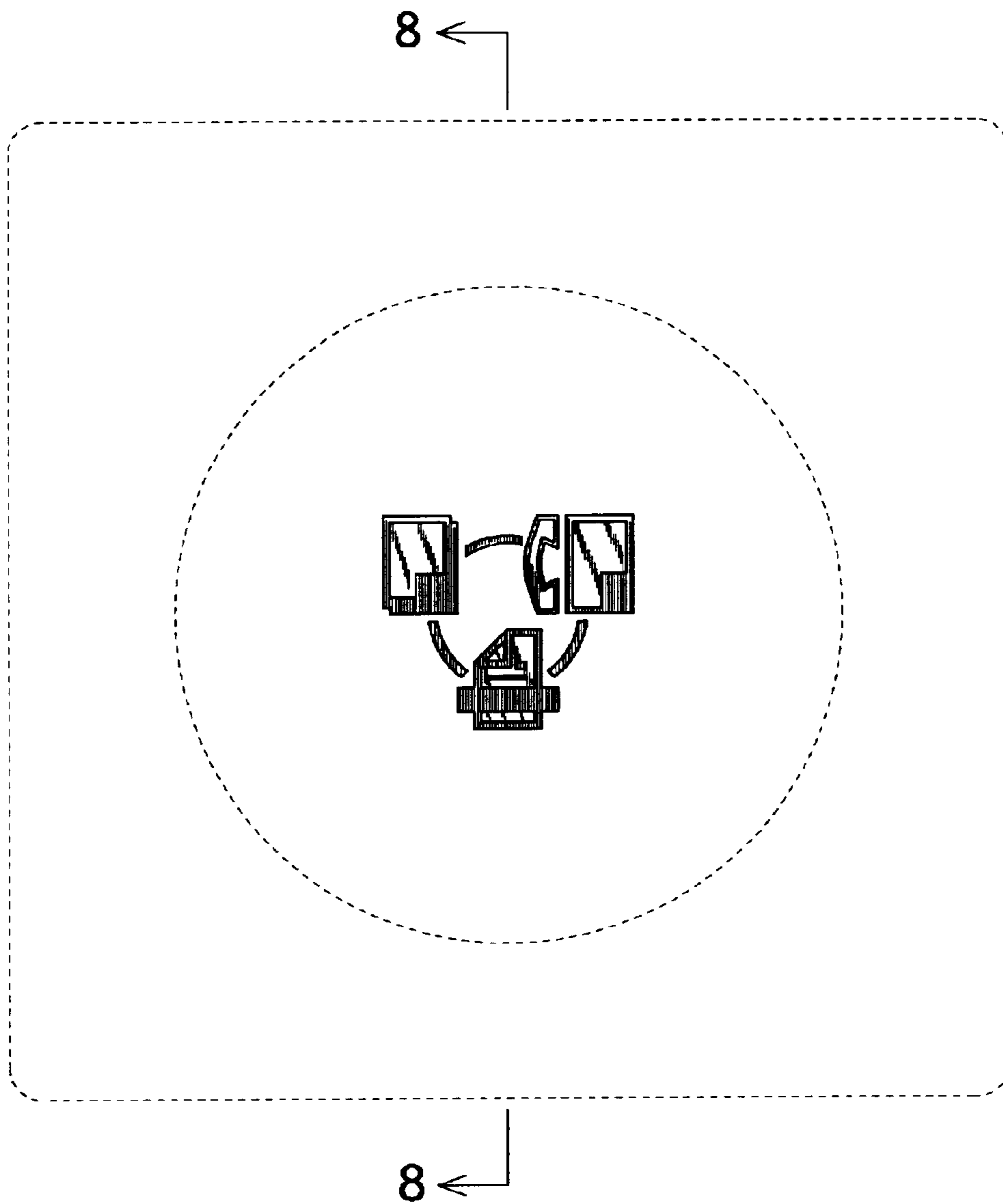


FIG. 3

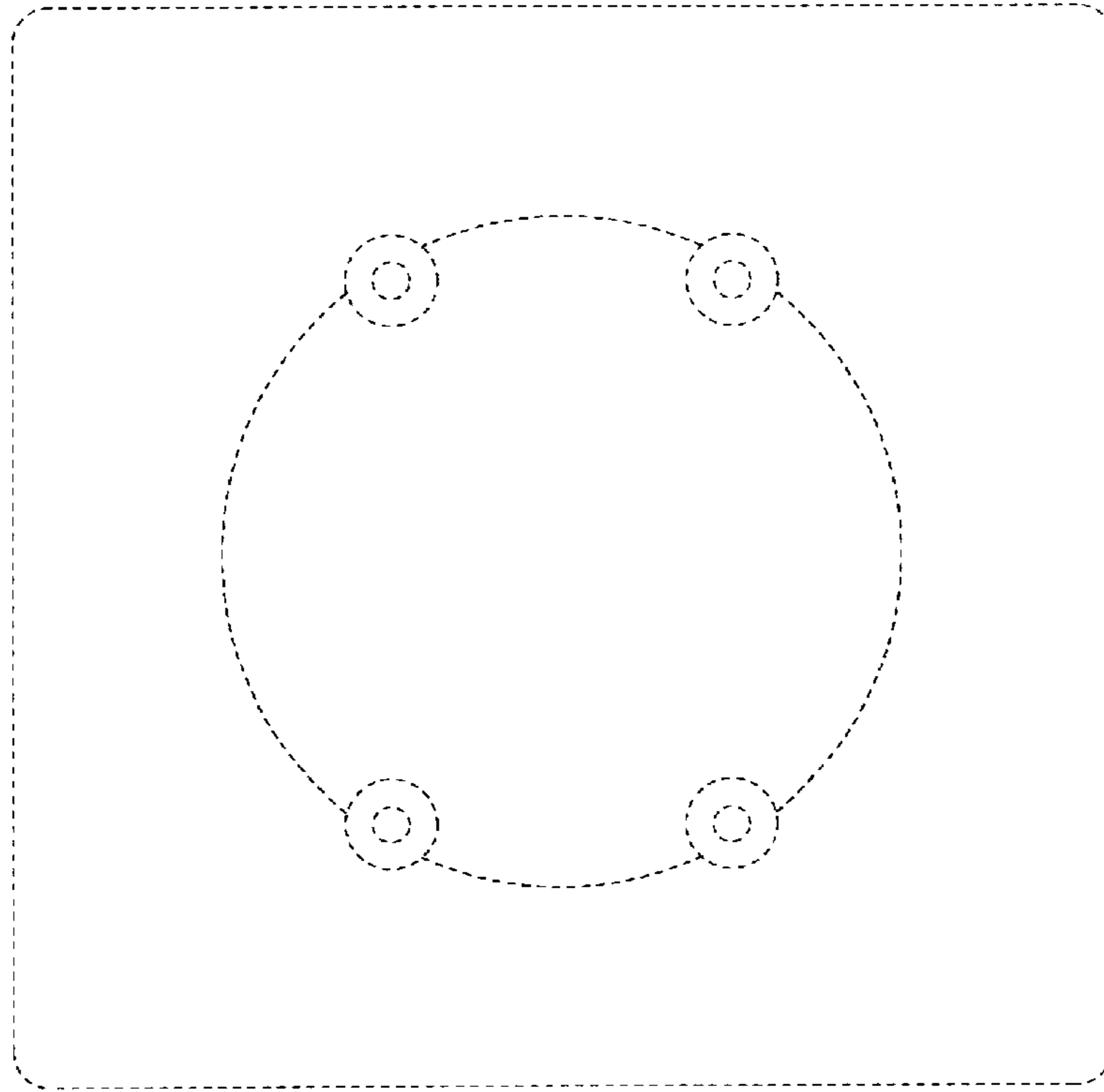


FIG. 4

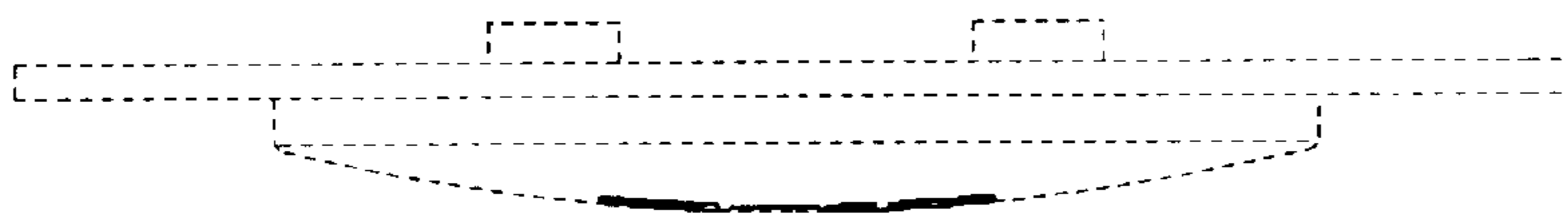


FIG. 5

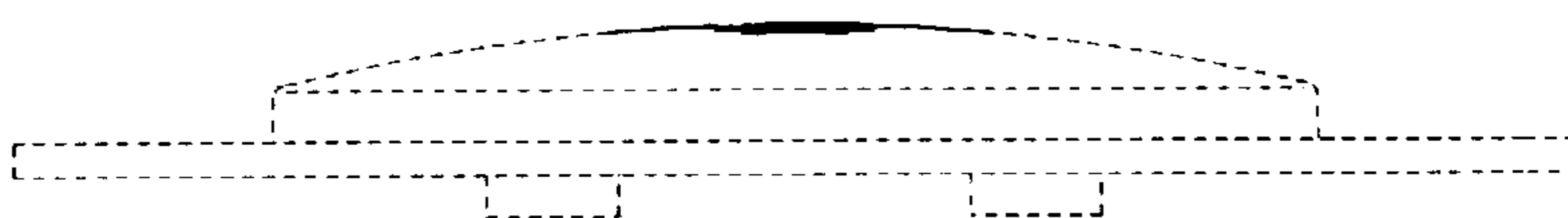


FIG. 6

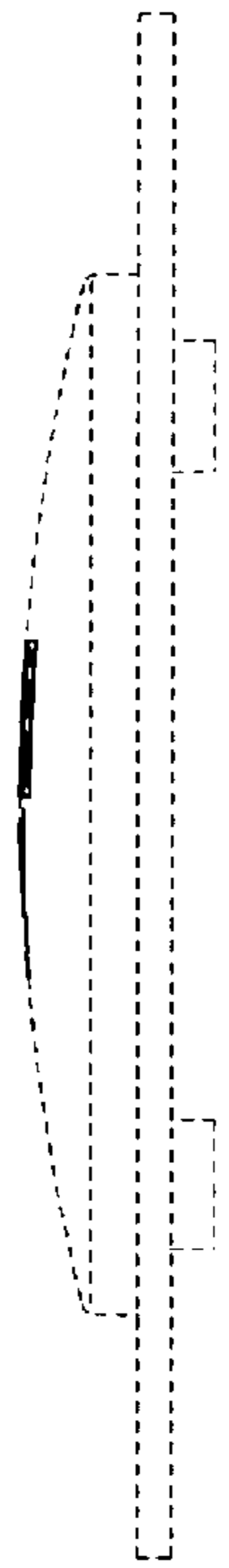


FIG. 7

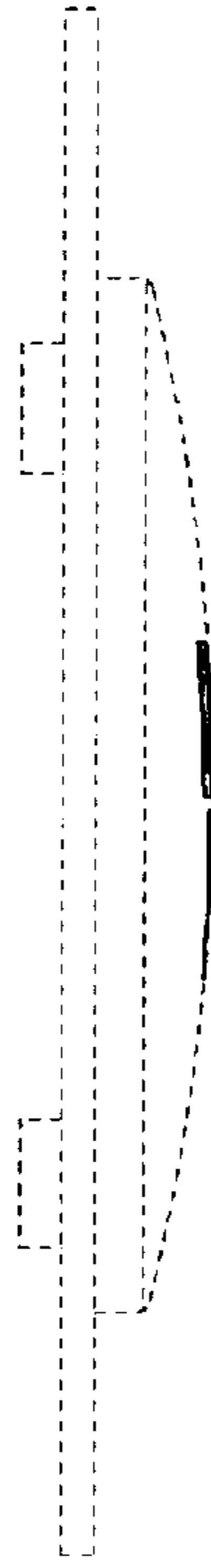


FIG. 8

