



US00D525616S

(12) **United States Design Patent** (10) **Patent No.:** **US D525,616 S**
Andre et al. (45) **Date of Patent:** **** Jul. 25, 2006**

(54) **STAND**

6,711,005 B1 * 3/2004 Martin 361/683
D495,336 S 8/2004 Andre et al.

(75) Inventors: **Bartley K. Andre**, Menlo Park, CA (US); **Daniel J. Coster**, San Francisco, CA (US); **Daniele De Iuliis**, San Francisco, CA (US); **Richard P. Howarth**, San Francisco, CA (US); **Jonathan P. Ive**, San Francisco, CA (US); **Duncan Robert Kerr**, San Francisco, CA (US); **Shin Nishibori**, San Francisco, CA (US); **Matthew Dean Rohrbach**, San Francisco, CA (US); **Douglas B. Satzger**, Menlo Park, CA (US); **Calvin Q. Seid**, Palo Alto, CA (US); **Christopher J. Stringer**, Portola Valley, CA (US); **Eugene Antony Whang**, San Francisco, CA (US); **Rico Zörkendörfer**, San Francisco, CA (US)

OTHER PUBLICATIONS

“Adaptec xHub for Notebooks”, http://www.everythingusb.com/hardware/index/Adaptec_xHub_for_Notebooks.htm, downloaded Nov. 22, 2005.
“Belkin’s Top-loading USB Hub for iPod shuffle”, http://www.everythingusb.com/belkin_hispeed_usb_2.0_4-port_hub.html, downloaded Nov. 22, 2005.
“Belkin Hi-Speed USB 2.0 7-Port Hub”, http://www.everythingusb.com/hardware/index/Belkin_Hi-Speed_USB_2.0_7-Port_Hub..., downloaded Nov. 22, 2005.

* cited by examiner

Primary Examiner—Nanda Bondade
(74) *Attorney, Agent, or Firm*—Beyer Weaver & Thomas, LLP

(73) Assignee: **Apple Computer, Inc.**, Cupertino, CA (US)

(57) **CLAIM**

We claim the ornamental design for a stand, substantially as shown and described.

(**) Term: **14 Years**

DESCRIPTION

(21) Appl. No.: **29/220,258**

(22) Filed: **Dec. 23, 2004**

(51) **LOC (8) Cl.** **14-99**

(52) **U.S. Cl.** **D14/217; D13/108**

(58) **Field of Classification Search** D13/107, D13/108; D14/217, 496, 434; D16/219; 379/110.01; 361/683, 686, 379; 381/2, 311, 334; 369/539, 369/301; 320/107, 108

See application file for complete search history.

FIG. 1 is a perspective view of a stand showing our new design;
FIG. 2 is a front view for the stand.
FIG. 3 is a rear view for the stand.
FIG. 4 is a right side view for the stand.
FIG. 5 is a left side view for the stand.
FIG. 6 is a top view for the stand.
FIG. 7 is a bottom view for the stand.
FIG. 8 is an exploded front view for the stand with the electronic device;
FIG. 9 is a front view for the stand with the electronic device mounted on it;
FIG. 10 is an exploded side view for the stand with the electronic device; and,
FIG. 11 is a side view for the stand with the electronic device mounted on it.

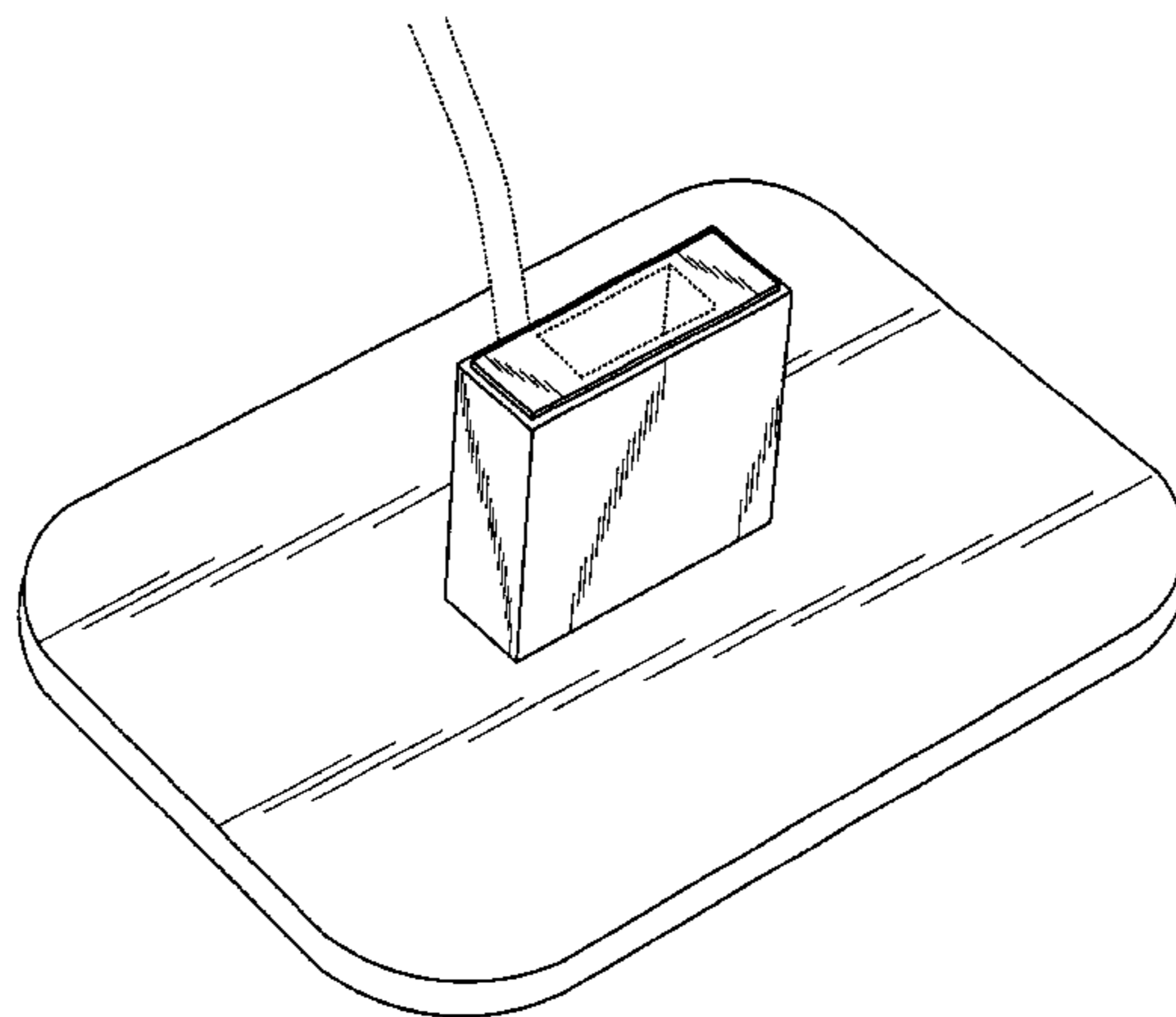
The broken lines illustrating the electronic device are included for the purpose of illustrating environmental structure only and form no part of the claimed design.

(56) **References Cited**

U.S. PATENT DOCUMENTS

D350,330 S * 9/1994 Peterson D13/107
5,600,225 A * 2/1997 Goto 320/108
5,627,727 A * 5/1997 Aguilera et al. 361/686
6,042,414 A * 3/2000 Kunert 361/686
6,307,348 B1 * 10/2001 Green 320/111
D477,823 S * 7/2003 Lavello, Sr. D14/253

1 Claim, 5 Drawing Sheets



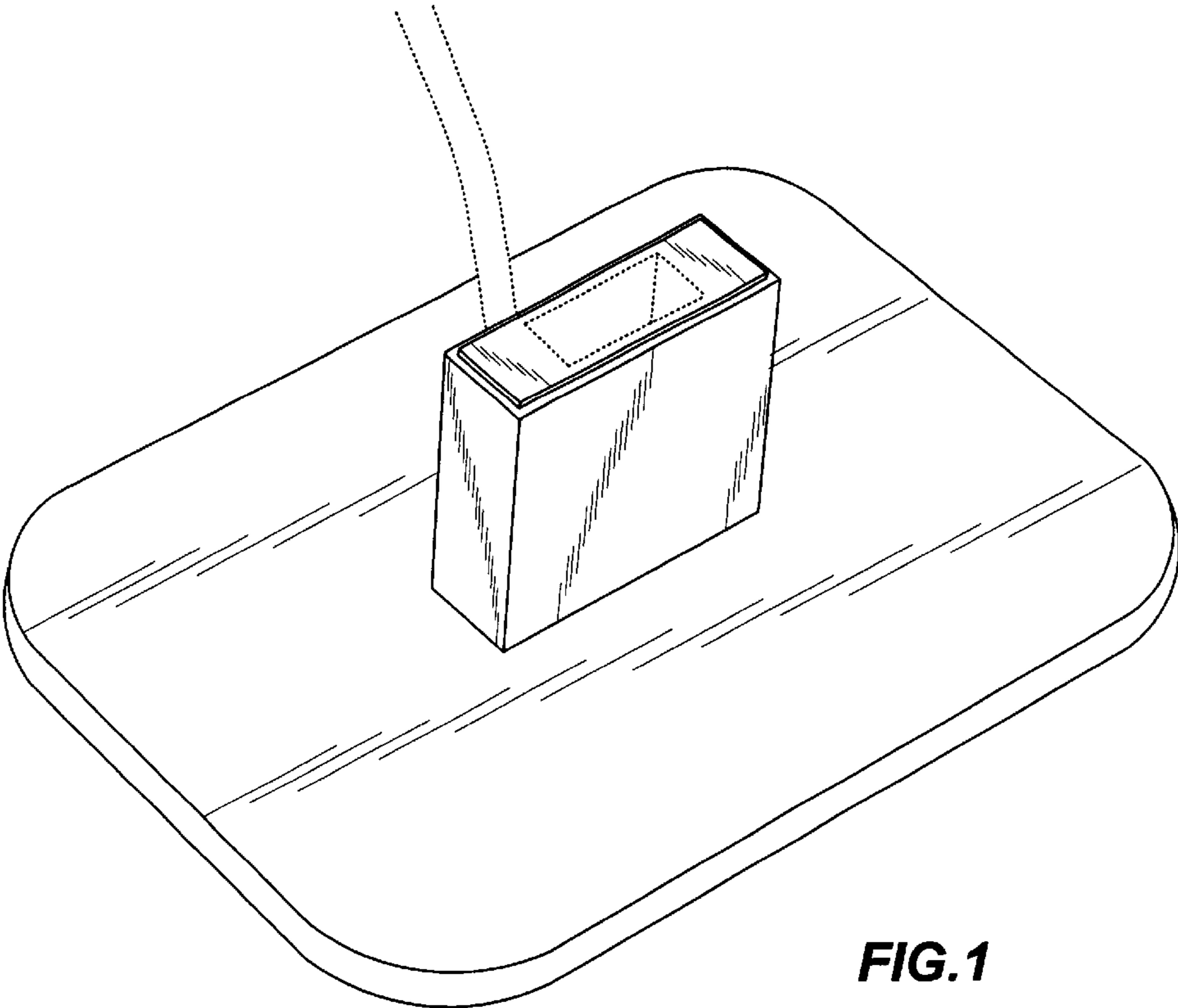


FIG.1

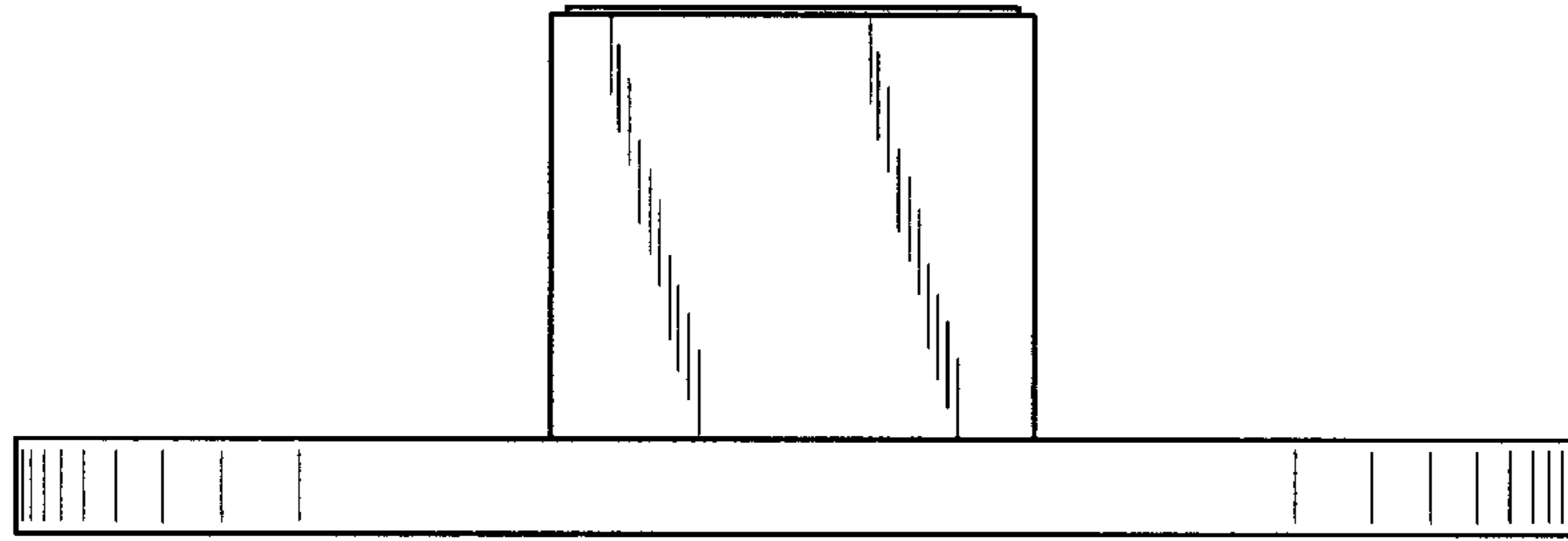


FIG. 2

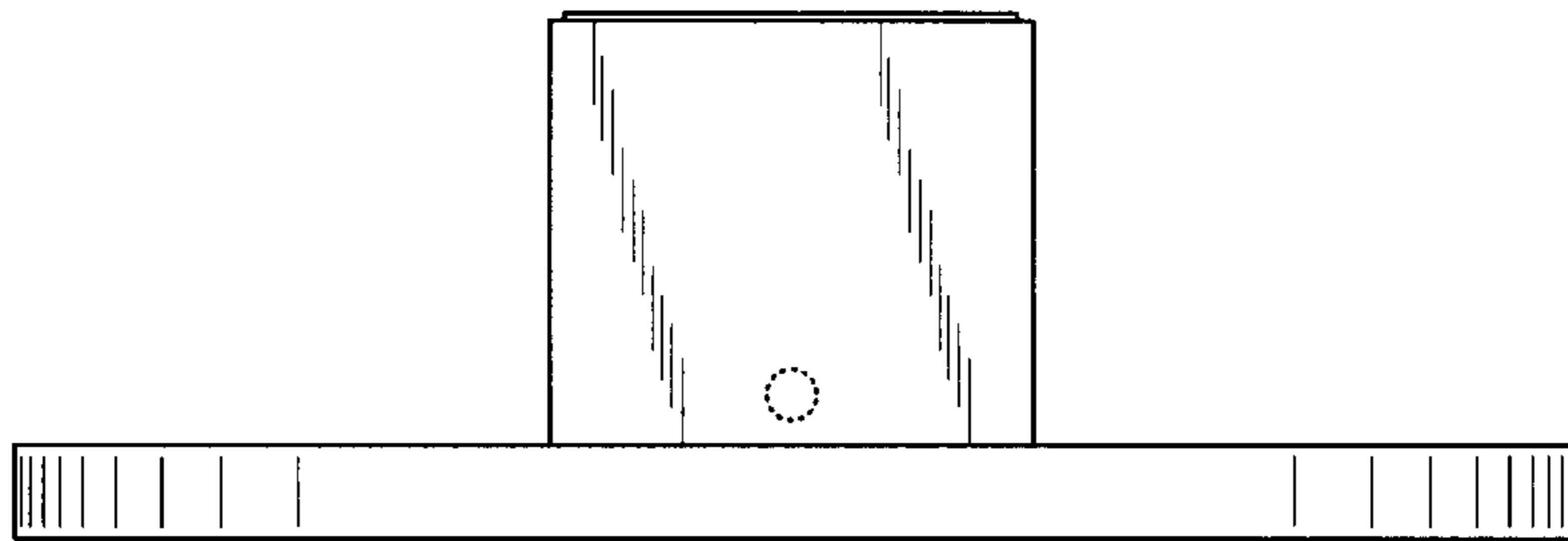


FIG. 3

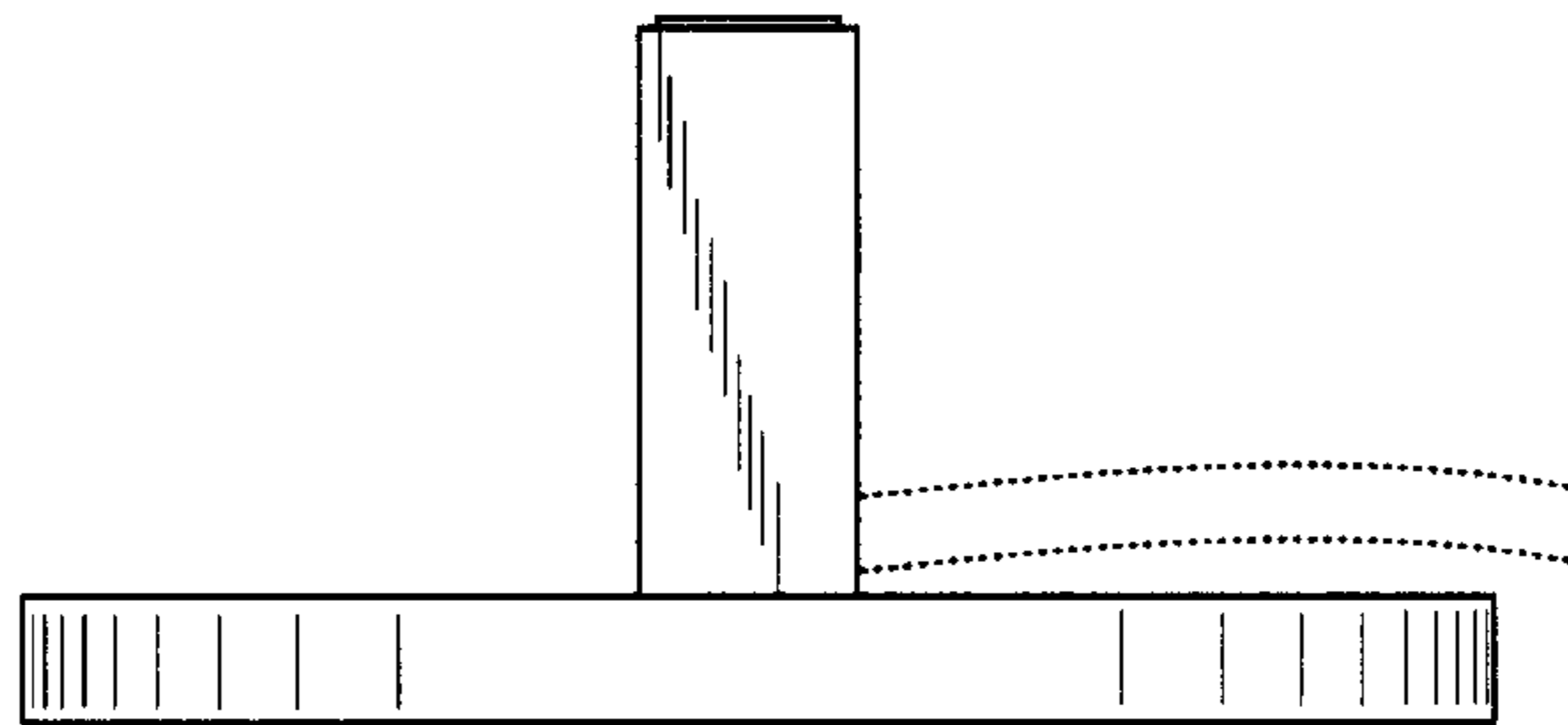


FIG. 4

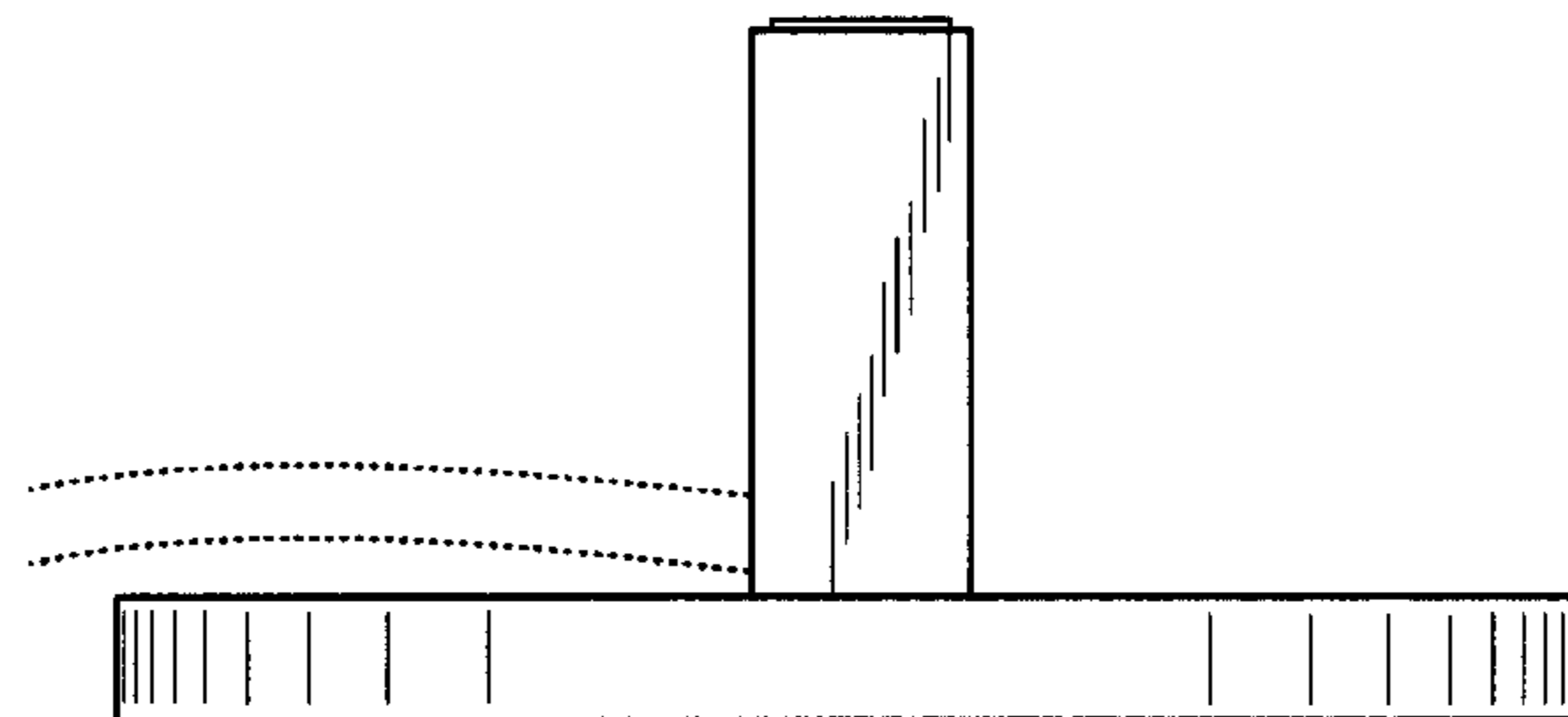


FIG. 5

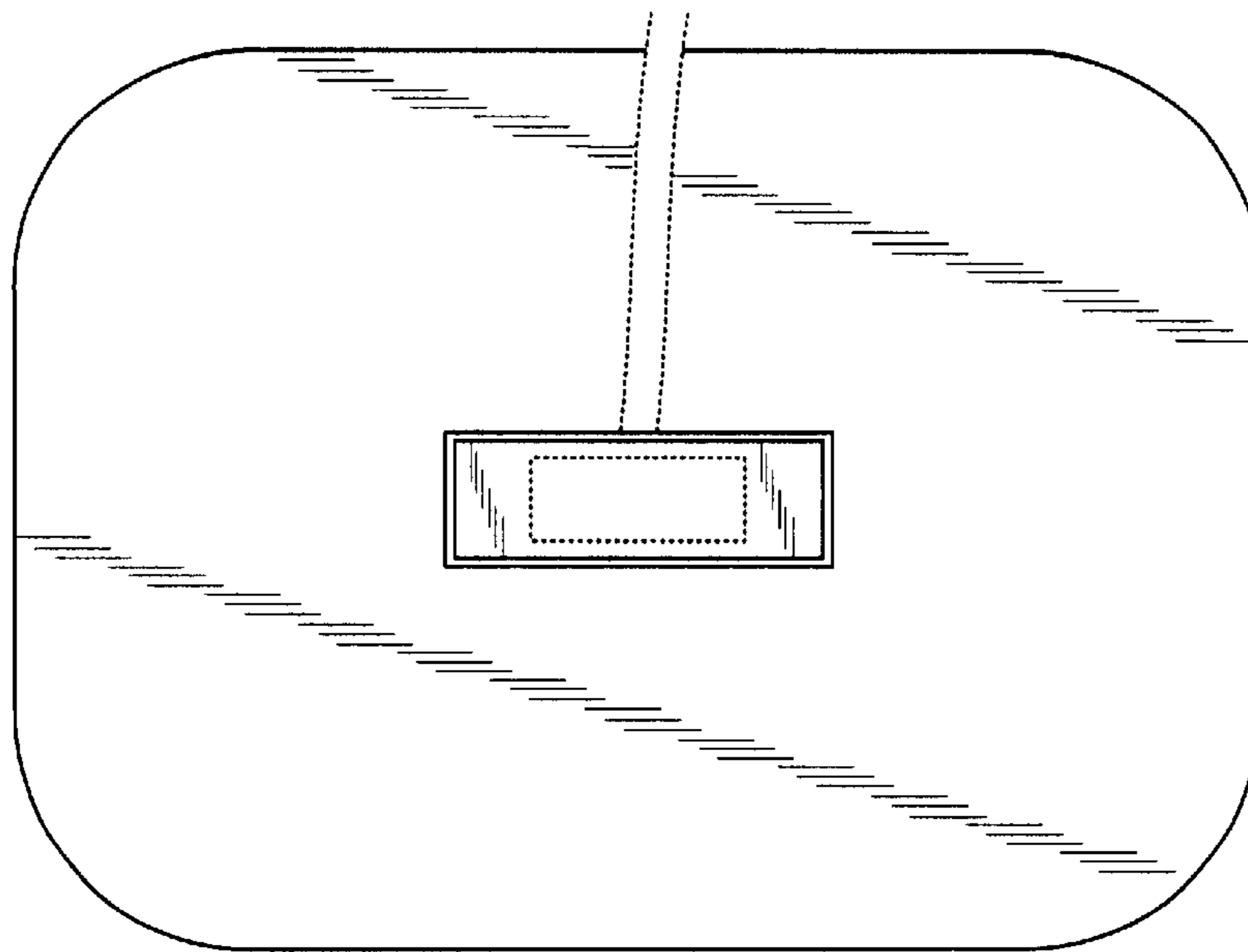


FIG. 6

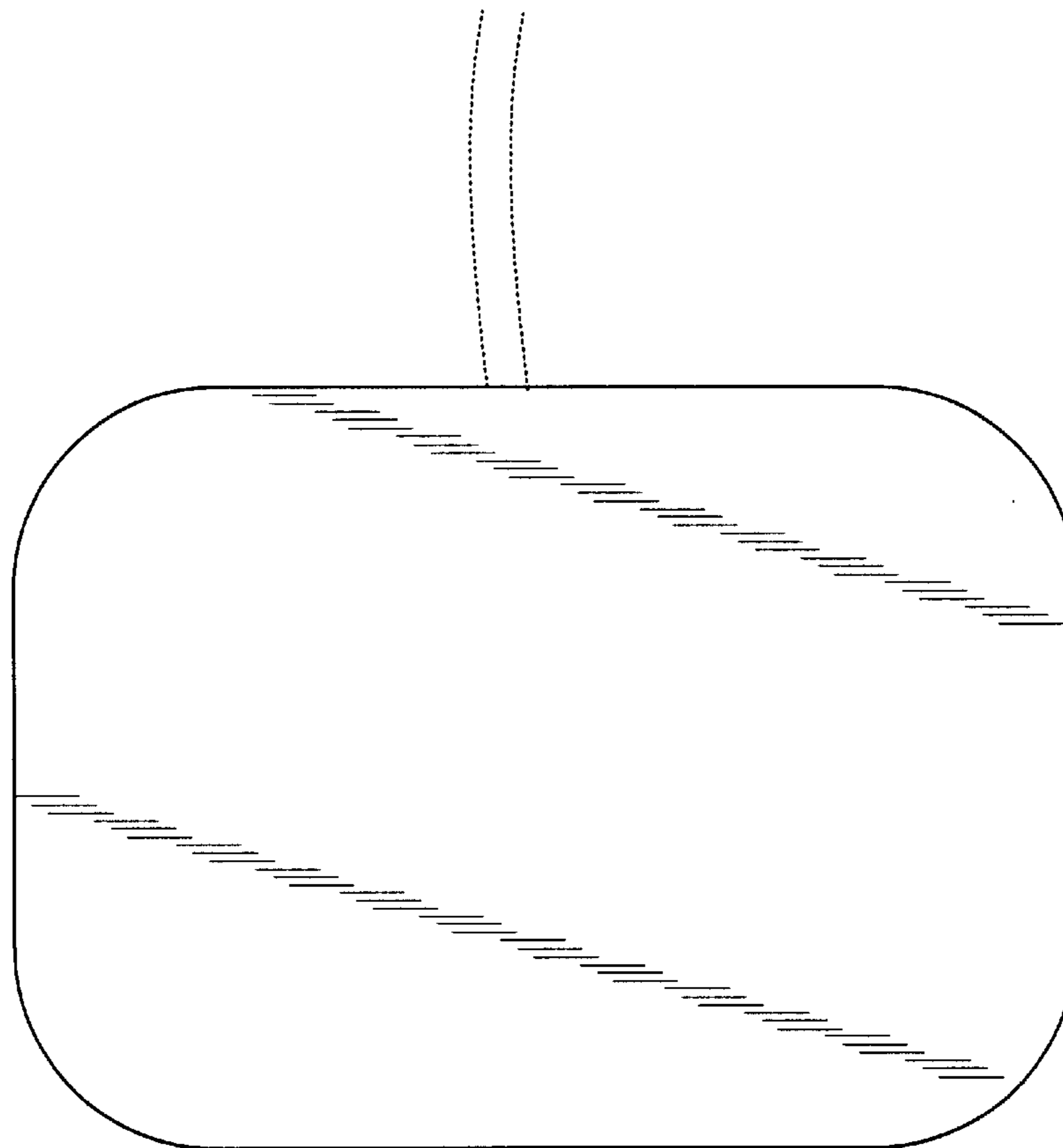


FIG. 7

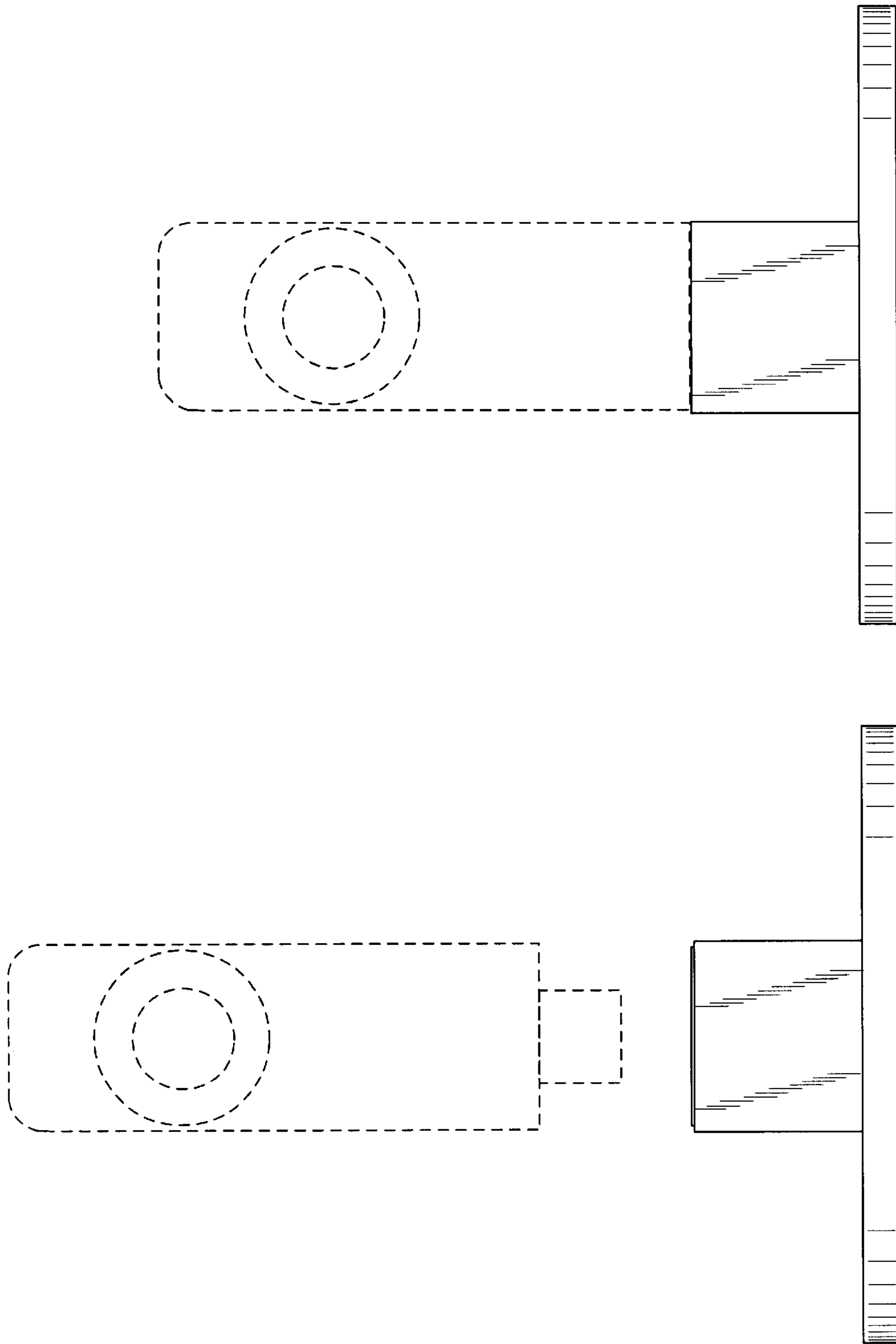


FIG. 9

FIG. 8

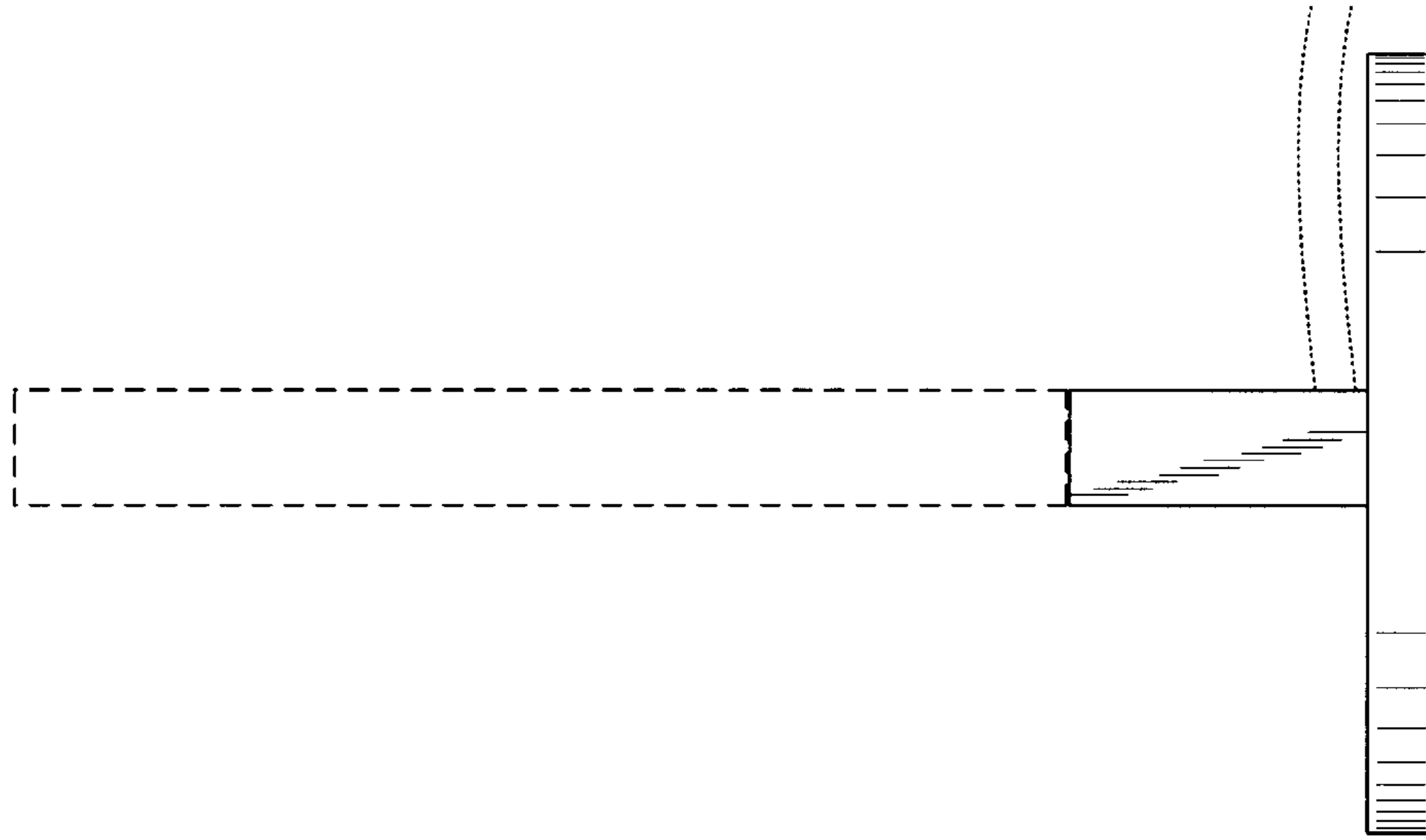


FIG. 11

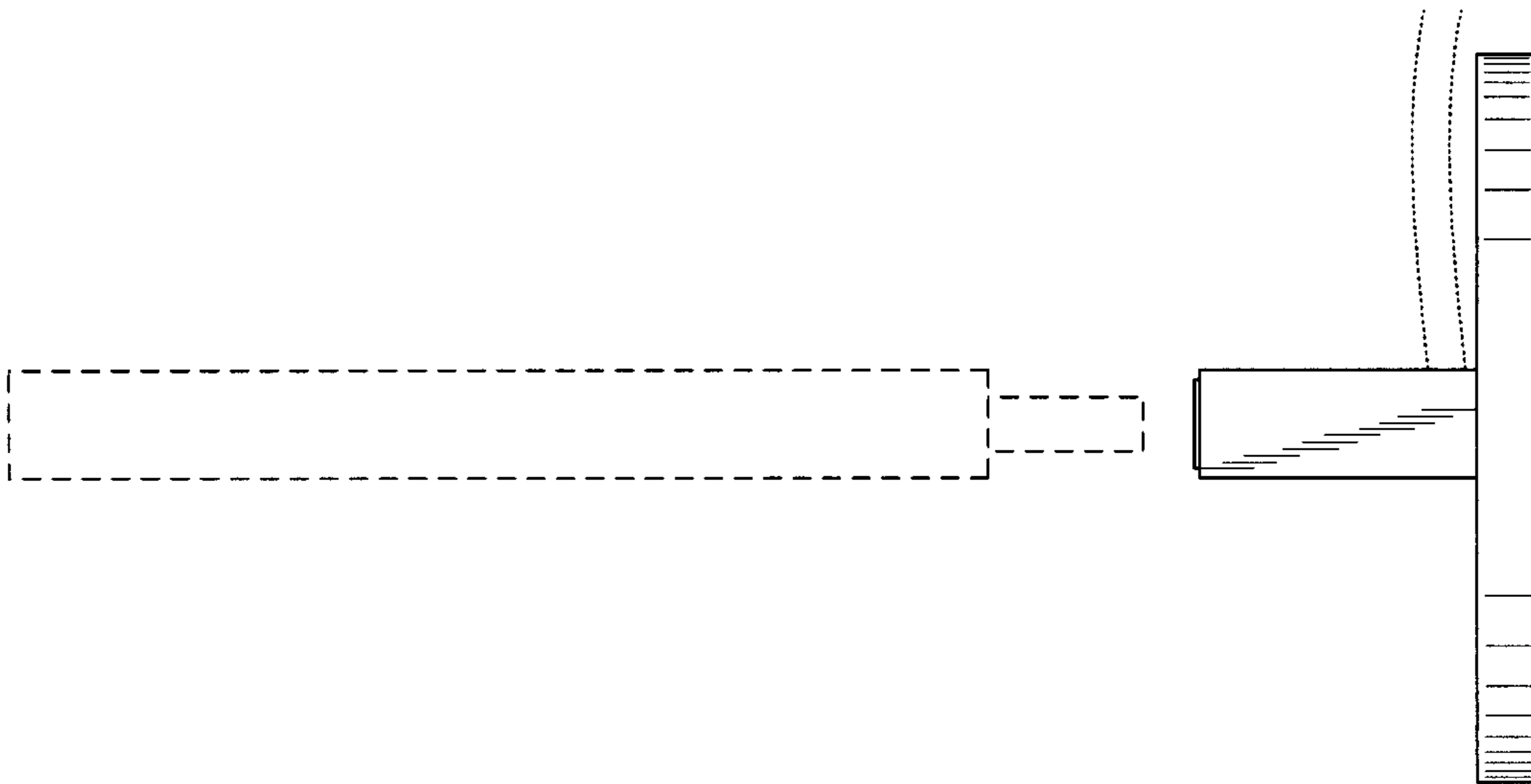


FIG. 10