

US00D525603S

(12) **United States Design Patent**
Williams

(10) **Patent No.:** **US D525,603 S**
(45) **Date of Patent:** **** Jul. 25, 2006**

(54) **TELEVISION SET**

(75) Inventor: **Luke Williams**, Sunnyvale, CA (US)

(73) Assignee: **Hannspree, Inc.**, Taipei (TW)

(**) Term: **14 Years**

(21) Appl. No.: **29/232,448**

(22) Filed: **Jun. 16, 2005**

(30) **Foreign Application Priority Data**

Dec. 17, 2004 (TW) 93307876

(51) **LOC (8) Cl.** **14-03**

(52) **U.S. Cl.** **D14/126**

(58) **Field of Classification Search** D14/125-134,
D14/239, 371, 136, 374-377; 312/7.2; 348/836,
348/838, 180, 184, 325, 739; 341/12; 248/917-924,
248/465; 345/104, 133, 156, 168, 87, 173;
720/605, 669, 600, 655; 369/99, 197; 455/344-347
See application file for complete search history.

(56) **References Cited**

U.S. PATENT DOCUMENTS

D439,900 S * 4/2001 Baek D14/374

D467,232 S * 12/2002 Bong et al. D14/126
D489,341 S * 5/2004 Liu et al. D14/126
D503,159 S * 3/2005 Esslinger et al. D14/129
D503,390 S * 3/2005 Sham et al. D14/126

* cited by examiner

Primary Examiner—Raphael Barkai

(74) *Attorney, Agent, or Firm*—Glenn Patent Group;
Michael A. Glenn

(57) **CLAIM**

The ornamental design for a “television set,” as shown and described herein.

DESCRIPTION

FIG. 1 is a perspective view of a television set showing my new design.

FIG. 2 is a front view thereof;

FIG. 3 is a rear view thereof;

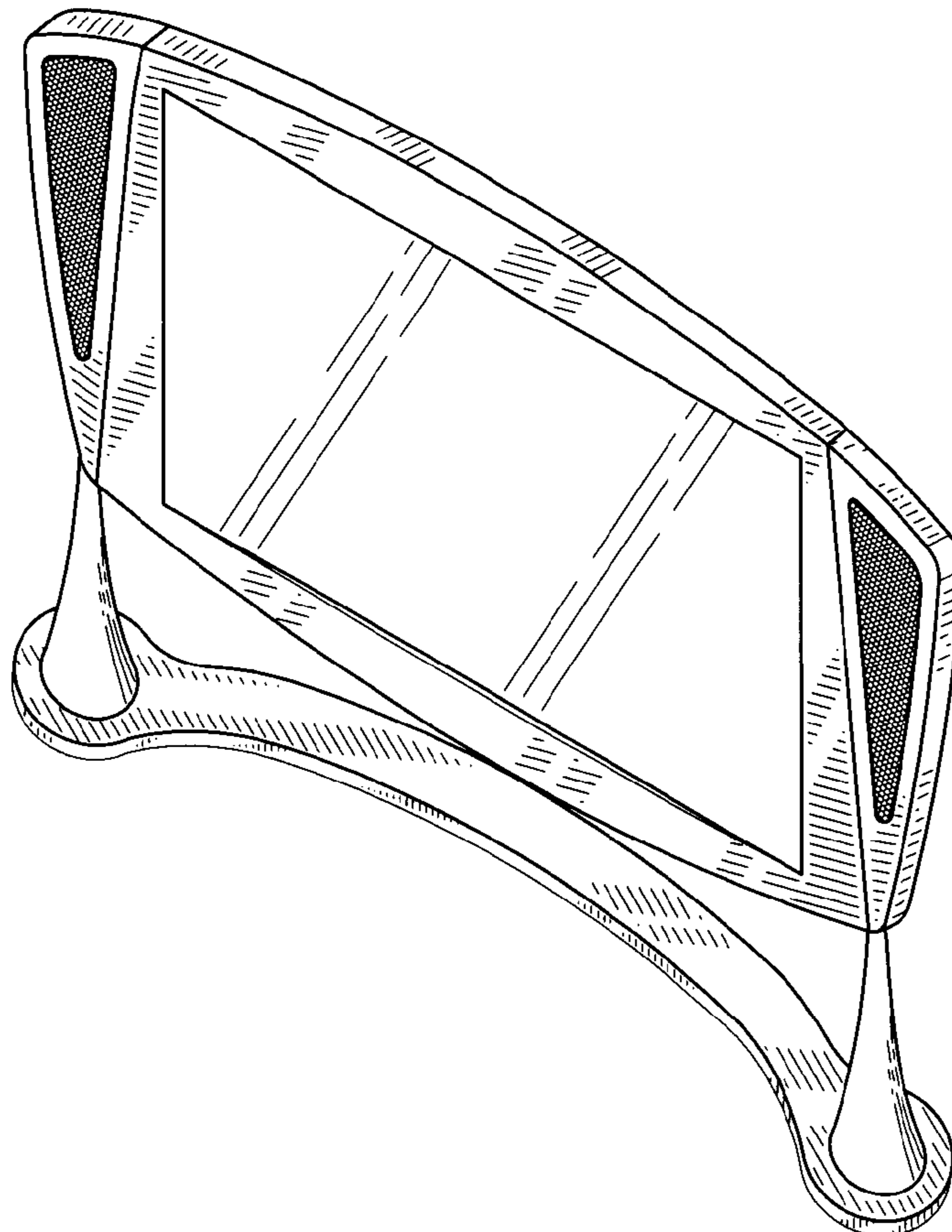
FIG. 4 is a left side view thereof;

FIG. 5 is a right side view thereof;

FIG. 6 is a top plan view thereof; and,

FIG. 7 is a bottom plan view thereof.

1 Claim, 4 Drawing Sheets



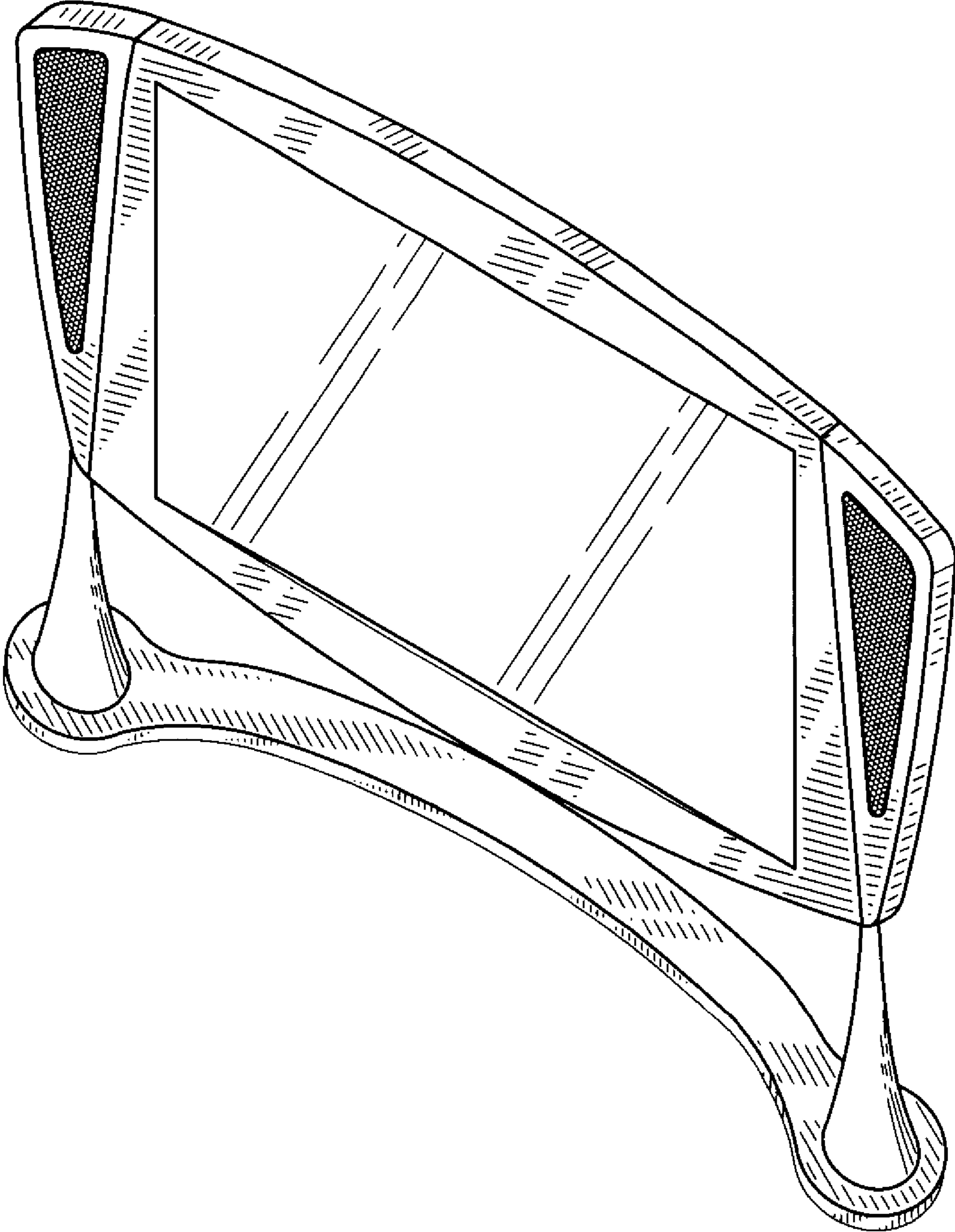


Fig. 1

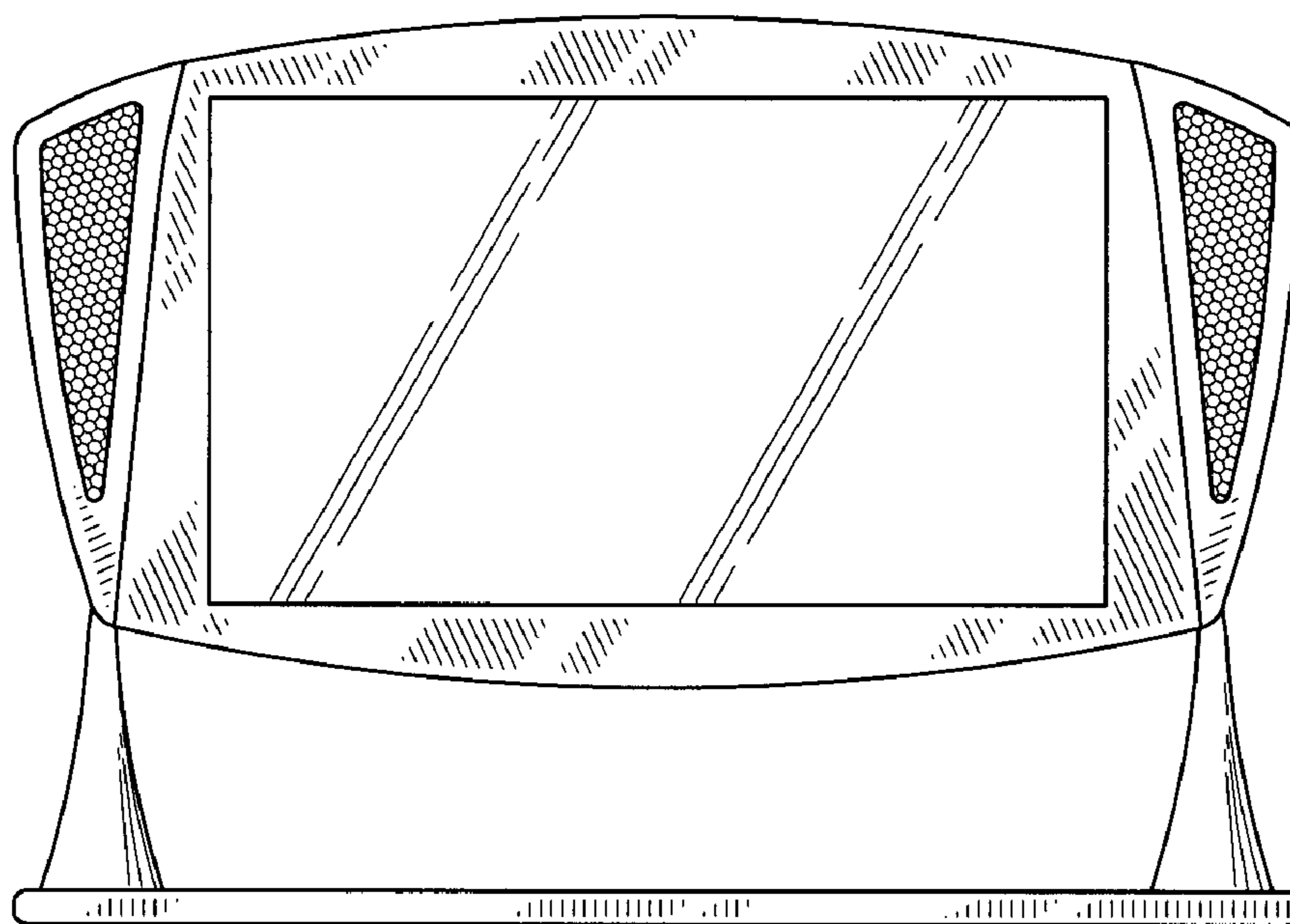


Fig. 2

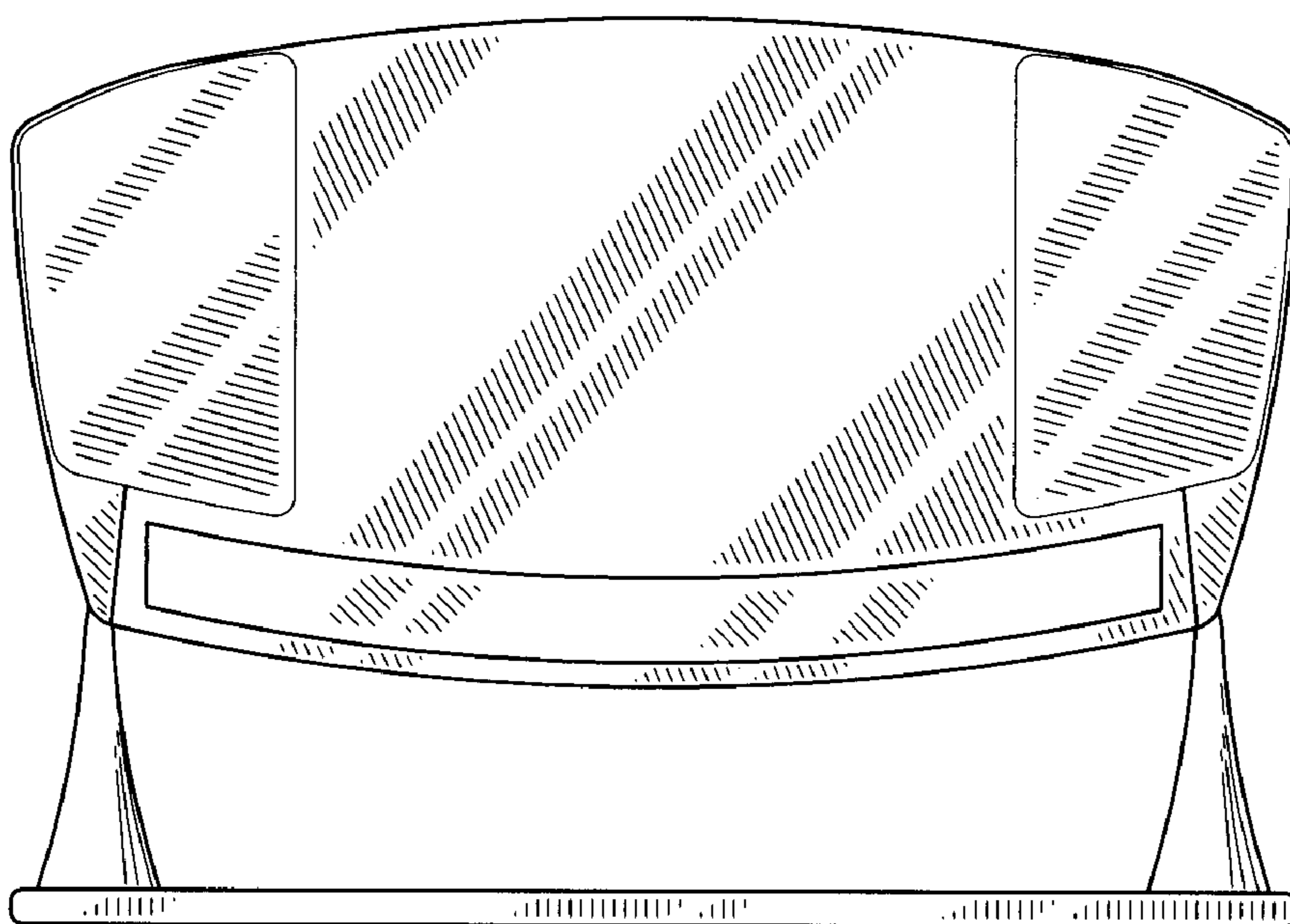


Fig. 3

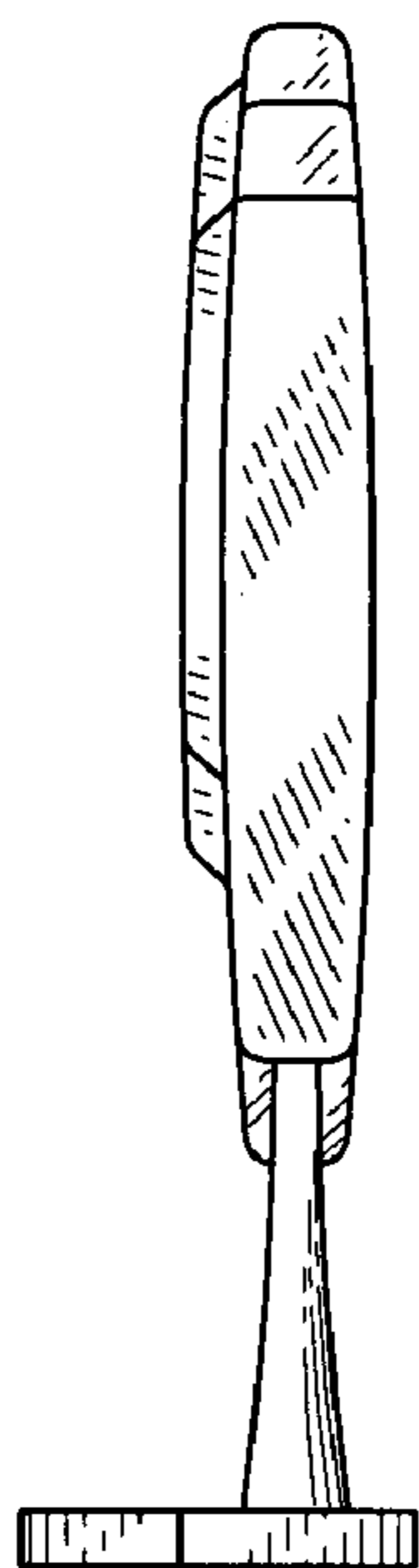


Fig. 4

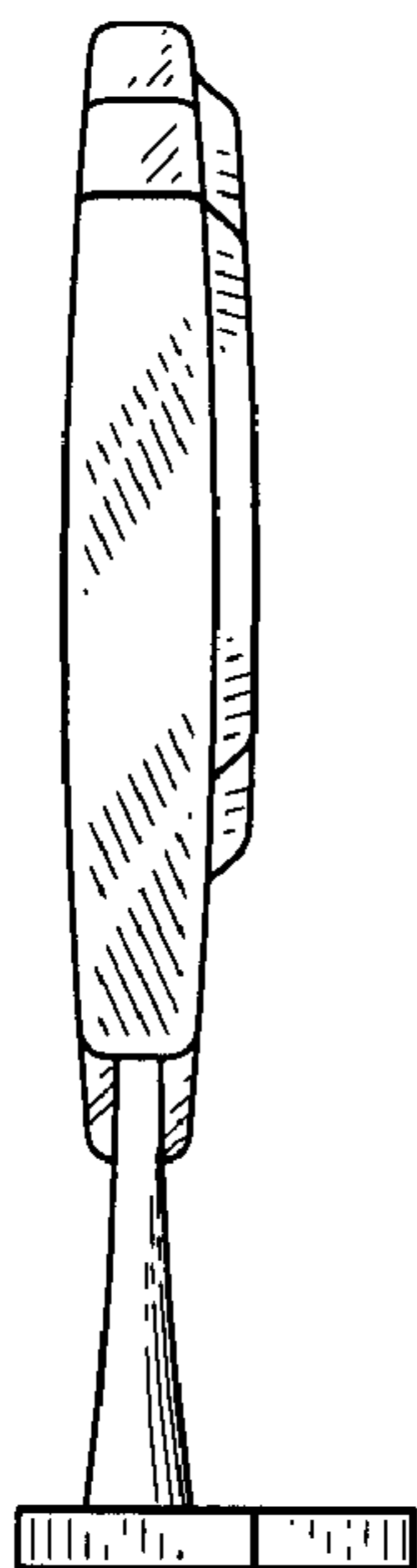


Fig. 5

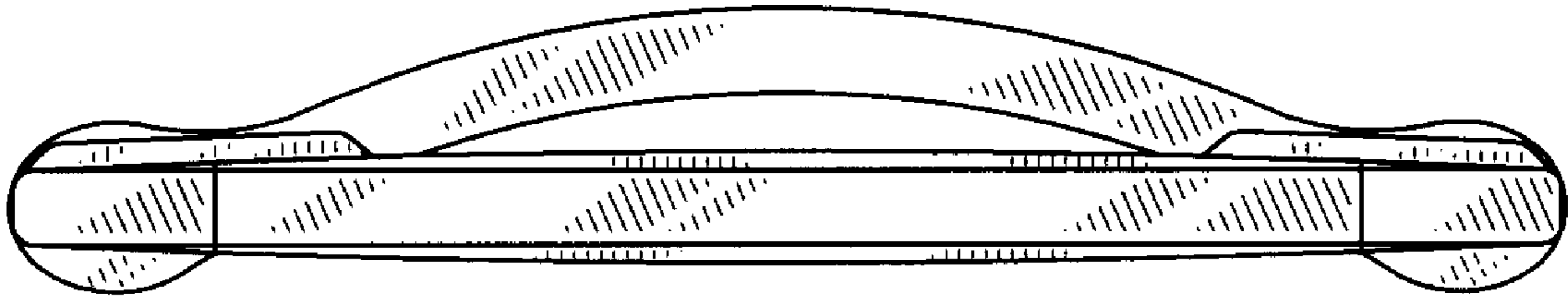


Fig. 6

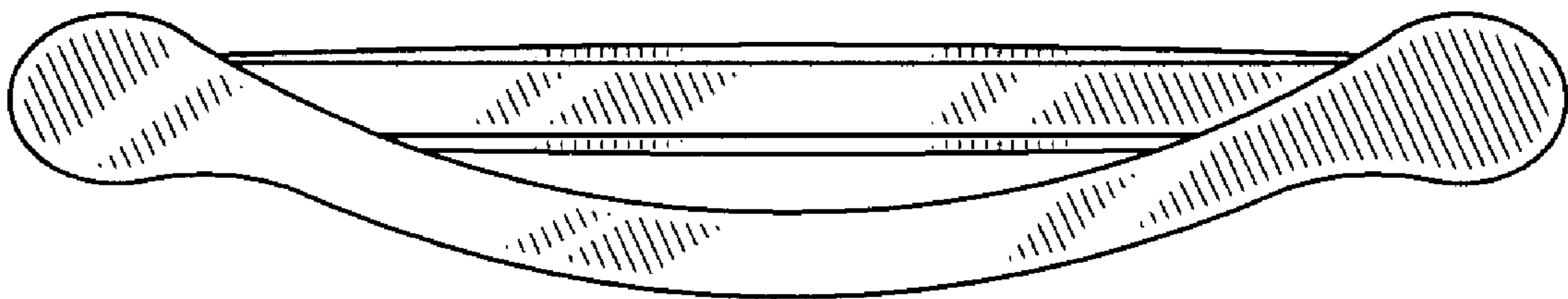


Fig. 7